



US00D752905S

(12) **United States Design Patent**
Healy et al.

(10) **Patent No.:** **US D752,905 S**
(45) **Date of Patent:** **** Apr. 5, 2016**

(54) **TABLE**

(71) Applicant: **Target Brands, Inc.**, Minneapolis, MN (US)

(72) Inventors: **Ann M. Healy**, Minneapolis, MN (US);
Timothy B. Urban, New Brighton, MN (US)

(73) Assignee: **Target Brands, Inc.**, Minneapolis, MN (US)

(**) Term: **14 Years**

(21) Appl. No.: **29/498,748**

(22) Filed: **Aug. 7, 2014**

(51) **LOC (10) Cl.** **06-04**

(52) **U.S. Cl.**
USPC **D6/657**

(58) **Field of Classification Search**
USPC D6/657, 662, 663, 671, 671.1, 671.2,
D6/671.3, 671.4, 691.3, 691.9
CPC A47B 17/04; A47B 47/03; A47B 47/05;
A47B 67/00; A47B 67/04; A47B 88/04;
A47B 63/02

See application file for complete search history.

(56) **References Cited**

U.S. PATENT DOCUMENTS

D432,813 S	*	10/2000	Hazen	D6/691.3
D490,628 S		6/2004	Juneau et al.		
D513,371 S		1/2006	Juneau et al.		
D530,545 S	*	10/2006	Domack	D6/691.9
D669,704 S	*	10/2012	Zambelli	D6/657
D746,614 S	*	1/2016	Sheppard	D6/657

OTHER PUBLICATIONS

Sears, "Acme Corin espresso finish wood chair side end table with drawer and curved legs ," <http://www.sears.com/acme-corin->

espresso-finish-wood-chair-side-end/p-SPM7611316513?prdNo=15, at least as early as Mar. 2013, 1 page.
AlaskaPruning, "Coffee Table with Drawers," <http://alaskapruning.com/coffee-table-with-drawers/coffee-table-with-drawers-10/>, at least as early as Jun. 2014, 1 page.
Houzz, "Onyx Finish Serving Tray/ Accent Table," <http://www.houzz.com/ideabooks/2120205/thumbs/www.houzz.com/ideabooks/2120205/list/Guest-Picks--Chic--Bold-Decor-For-Your-Small-Sitting-Room>, at least as early as Mar. 2013, 1 page.
Houzz, Safavieh Autumn White 3-drawer Console Table, <http://www.houzz.com/photos/8881842/Safavieh-Autumn-White-3-drawer-Console-Table-contemporary-coffee-tables>, at least as early as Jun. 2014, 1 page.
Bausman Company, "Square Coffee Table with Two Drawers," <http://www.bausmanandcompany.com/items/item.php?id=3583>, at least as early as Jun. 2014, 1 page.
Oddee, "Hexa Coffee Table," http://www.oddee.com/item_97065.aspx, at least as early as Jun. 2014, 1 page.

(Continued)

Primary Examiner — Mimoso De

(74) *Attorney, Agent, or Firm* — Leanne Taveggia Farrell; Westman, Champlin & Koehler, P.A.

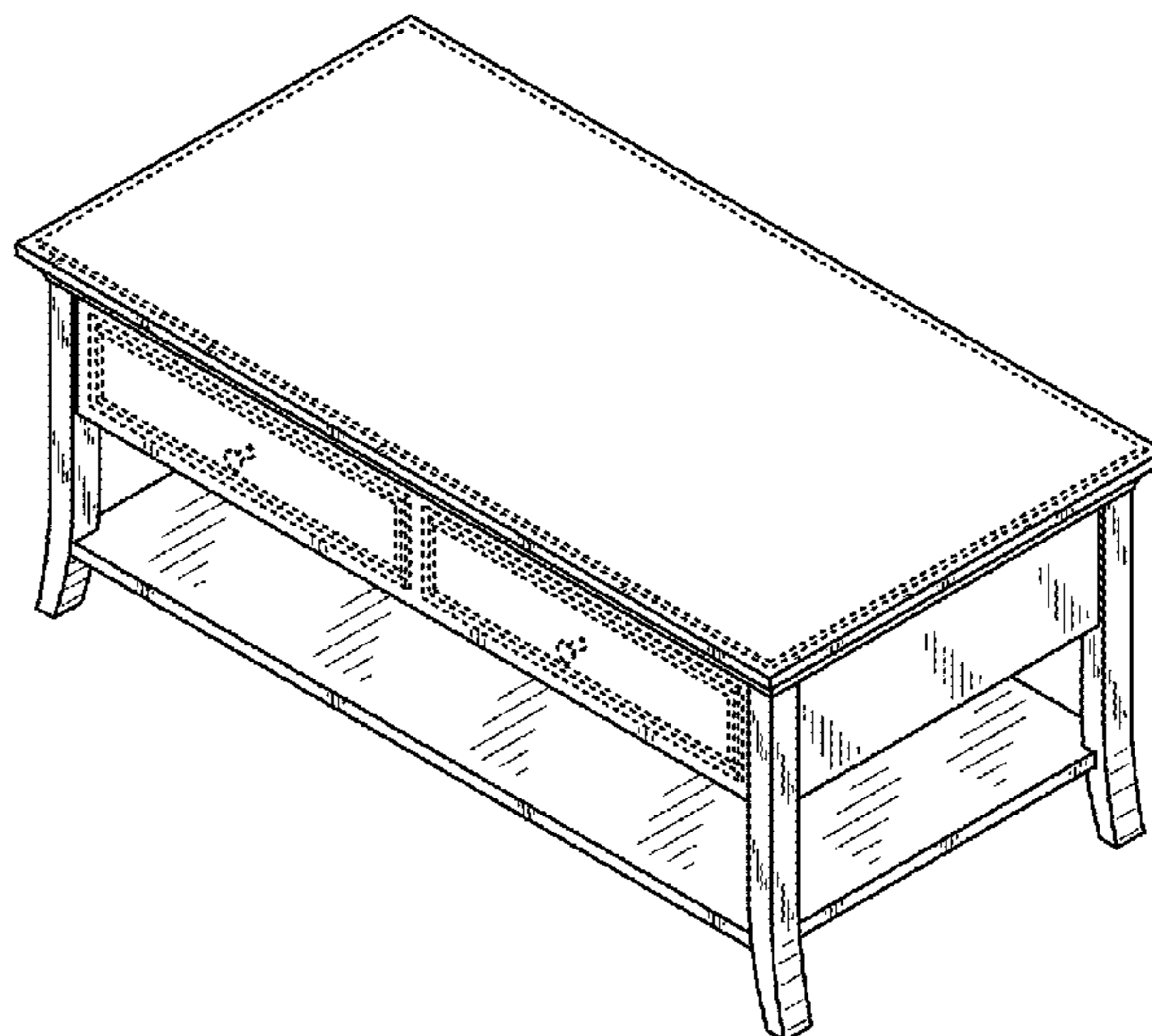
(57) **CLAIM**

The ornamental design for a table, as shown and described.

DESCRIPTION

FIG. 1 is a perspective view of a table showing our new design;
FIG. 2 is a left side view thereof, the right side view being a mirror image;
FIG. 3 is a top view thereof;
FIG. 4 is a bottom view thereof;
FIG. 5 is a front view thereof; and,
FIG. 6 is a back view thereof.
The broken lines shown in the drawings are included for purposes of illustrating portions of the table and form no part of the claimed design.

1 Claim, 3 Drawing Sheets



(56)

References Cited

OTHER PUBLICATIONS

Super Coffee Cafe, "Wooden Coffee Table With Drawers," <http://www.supercoffeecafe.com/the-multifunctional-of-coffee-table-with-drawers.html/wooden-coffee-table-with-drawers>, at least as early as Jun. 2014, 1 page.

Houzz, "Coastal Solid Wood Coffee Table with Drawers," <http://www.houzz.com/photos/6161908/Coastal-Solid-Wood-Coffee->

Table-with-Drawers-beach-style-coffee-tables-new-york, at least as early as Jun. 2014, 1 page.

Pending U.S. Appl. No. 29/457,206, filed Jun. 7, 2013, entitled Table, 7 pages.

Office Action from Canadian Patent Application No. 159,587, mailed Apr. 17, 2015 (3 pages).

* cited by examiner

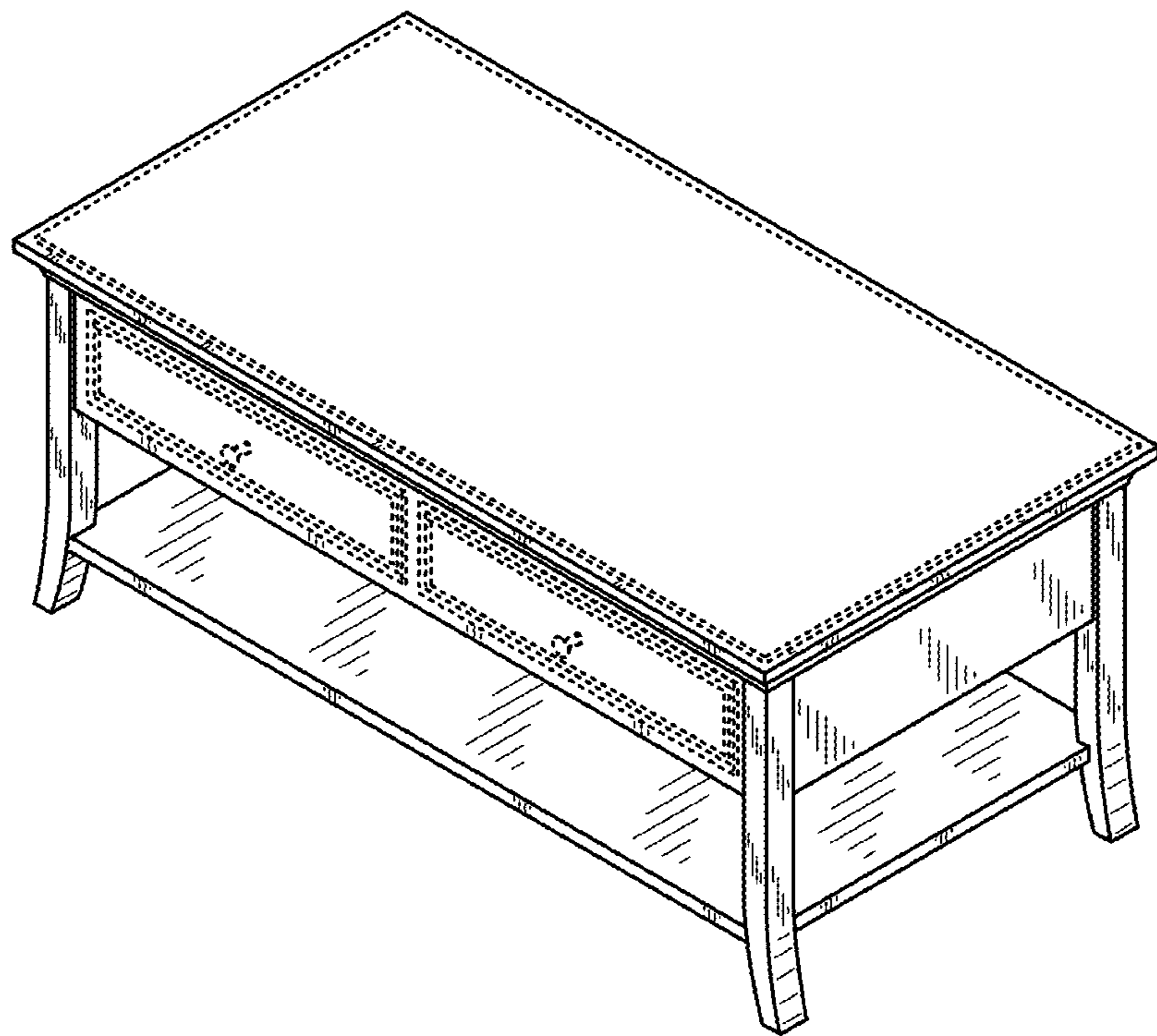


FIG. 1

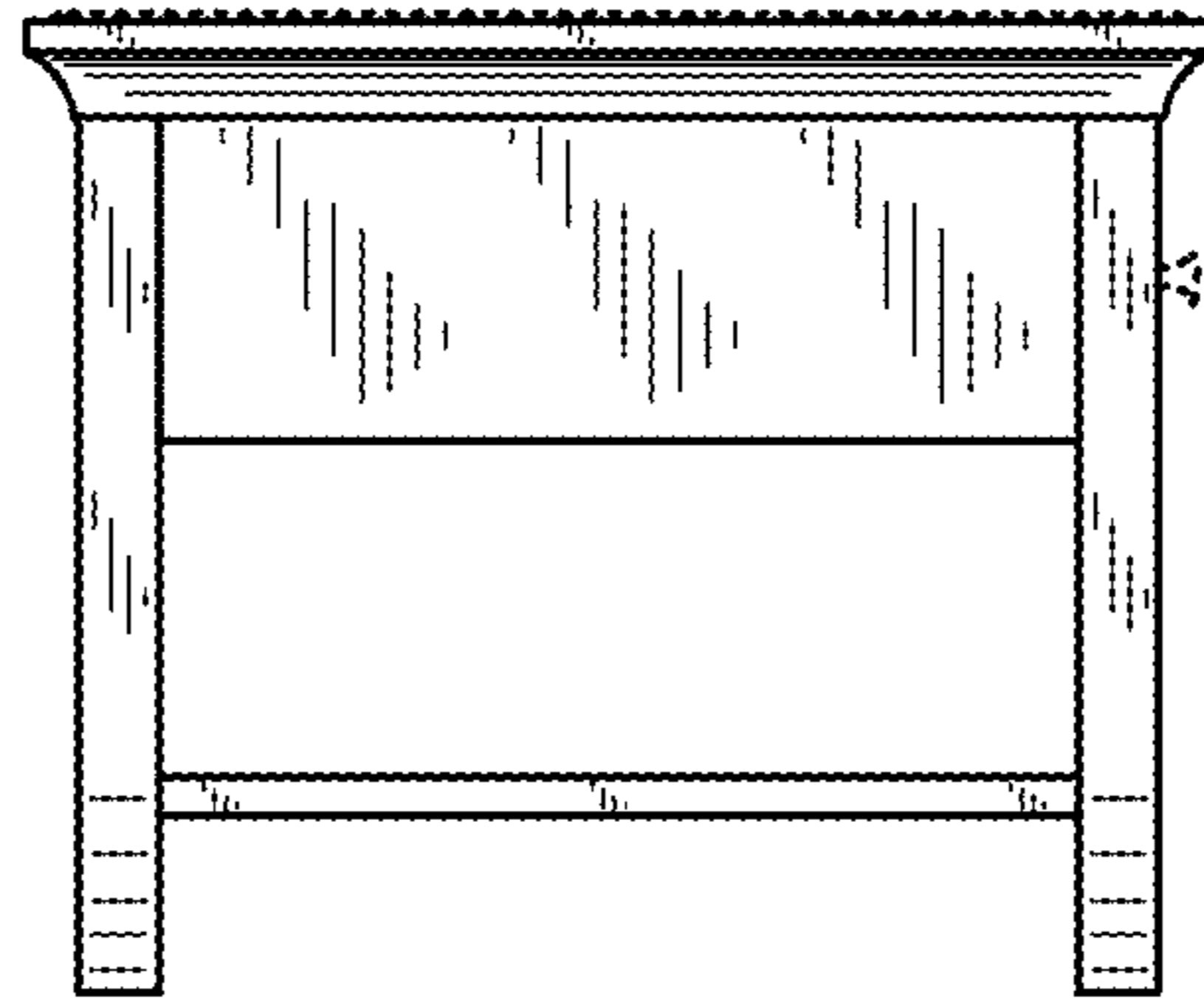


FIG. 2

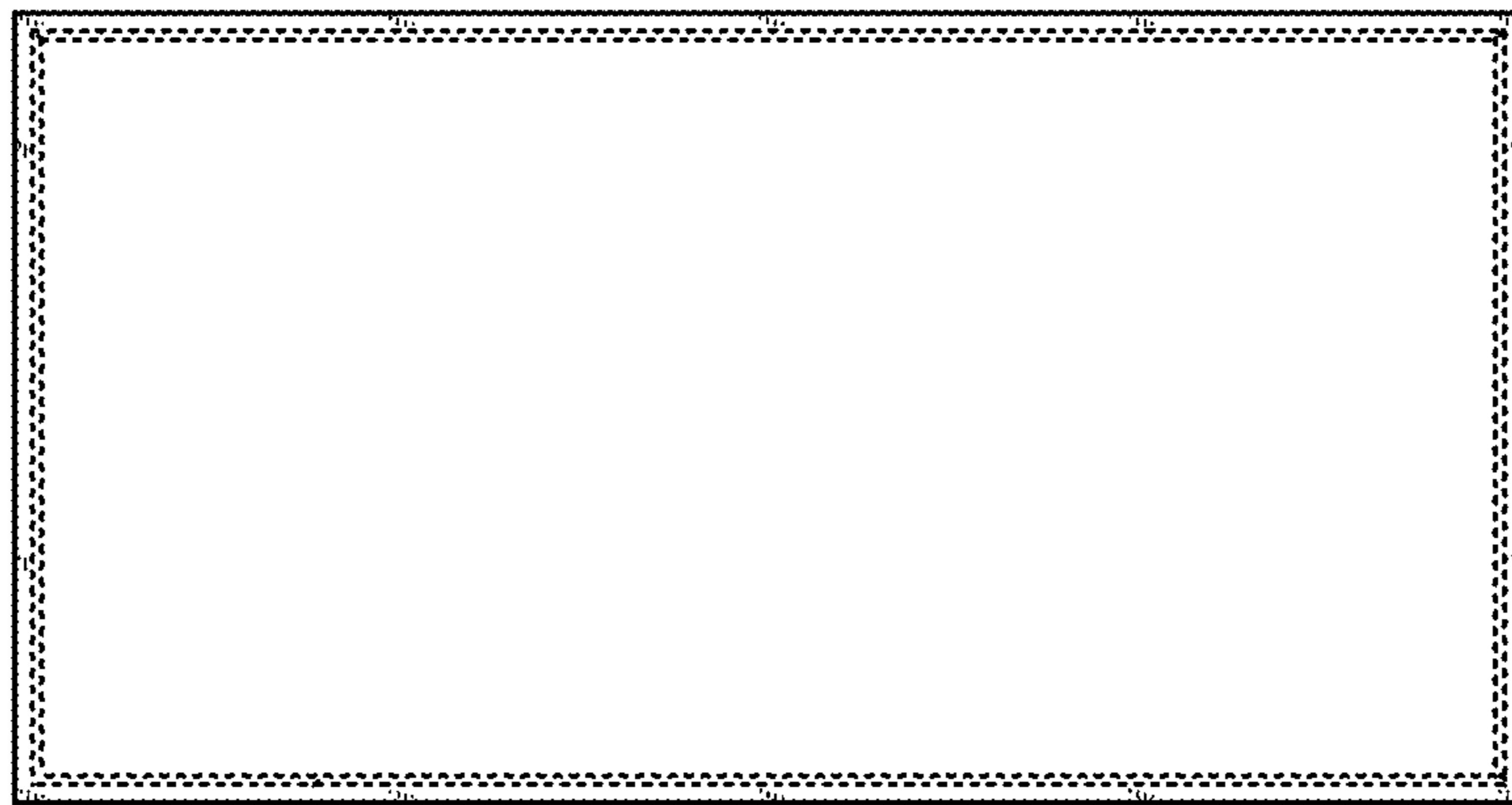


FIG. 3

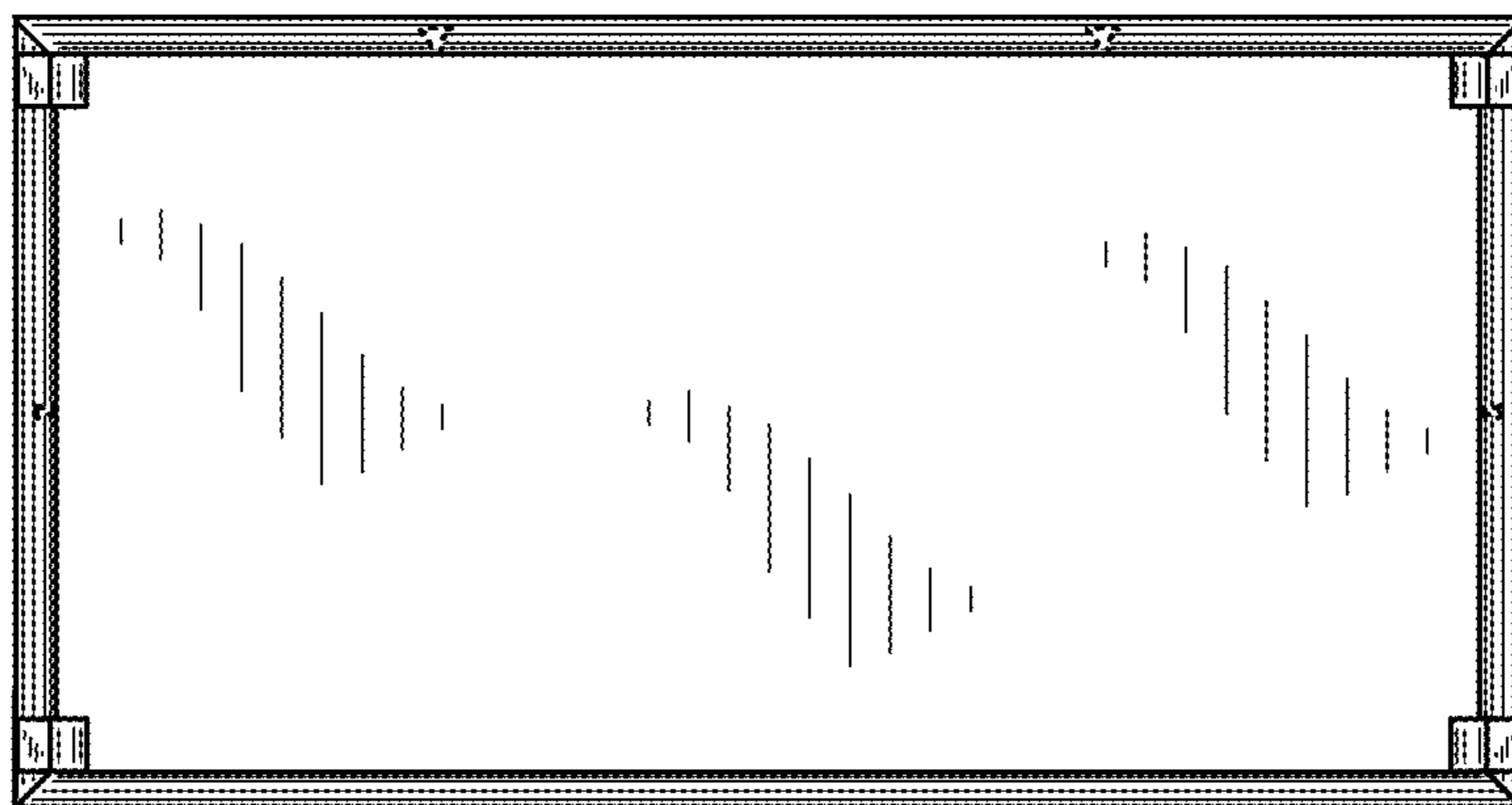


FIG. 4

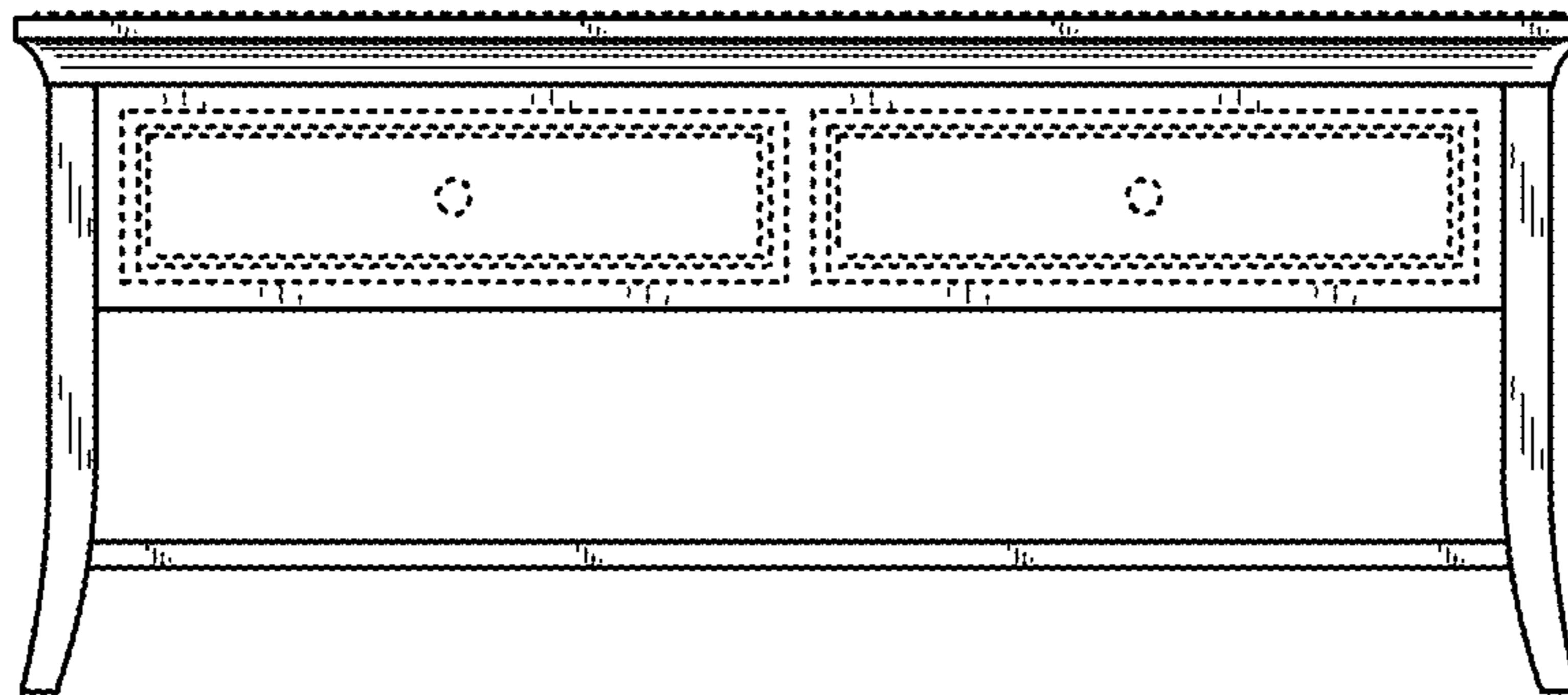


FIG. 5

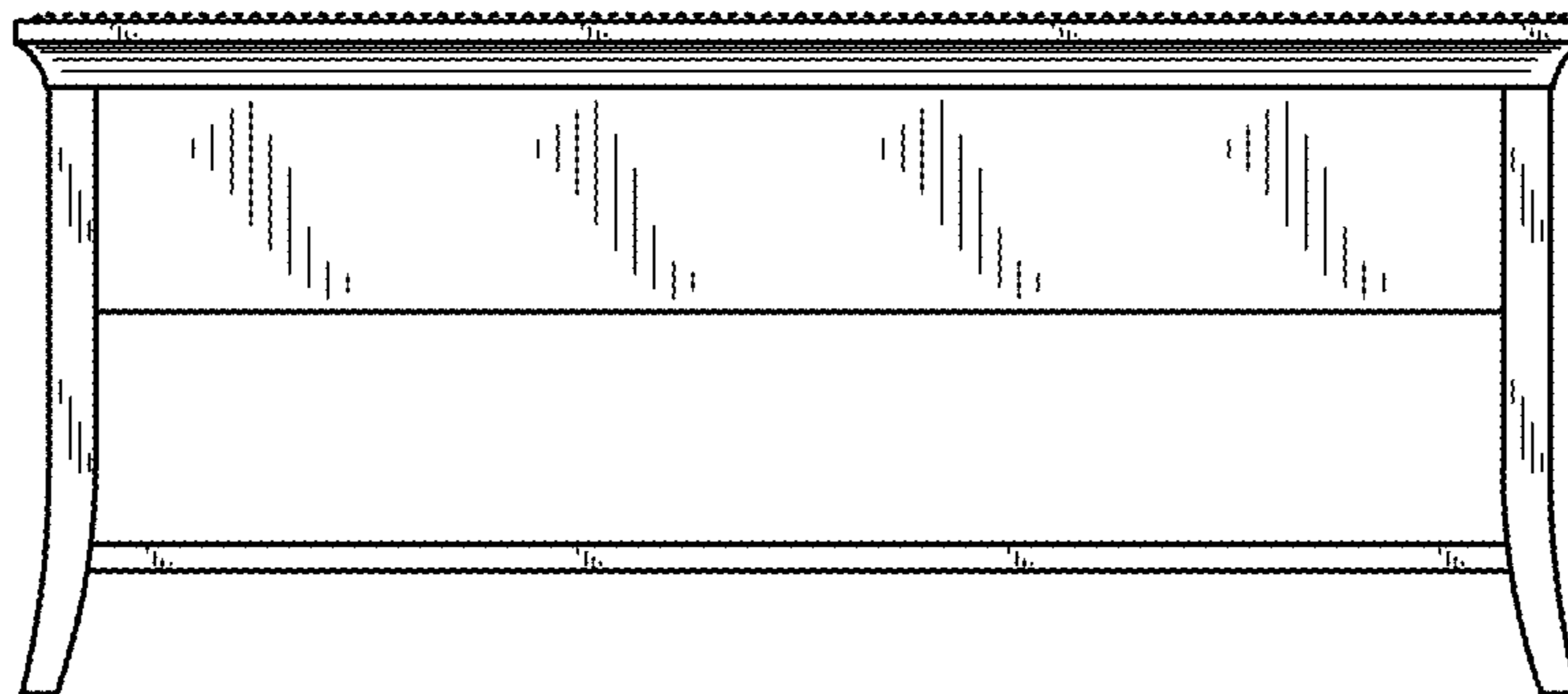


FIG. 6