



US00D752903S

(12) **United States Design Patent**
Hecht et al.

(10) **Patent No.:** **US D752,903 S**
(45) **Date of Patent:** **** Apr. 5, 2016**

- (54) **WORKSTATION**
- (71) Applicant: **Herman Miller, Inc.**, Zeeland, MI (US)
- (72) Inventors: **Sam Hecht**, London (GB); **Philipp Von Lintel**, London (GB)
- (73) Assignee: **Herman Miller, Inc.**, Zeeland, MI (US)
- (**) Term: **15 Years**
- (21) Appl. No.: **29/542,759**
- (22) Filed: **Oct. 16, 2015**

Related U.S. Application Data

- (62) Division of application No. 29/449,948, filed on Mar. 15, 2013, now Pat. No. Des. 743,189.
- (51) **LOC (10) Cl.** **06-03**
- (52) **U.S. Cl.**
USPC **D6/656.15**
- (58) **Field of Classification Search**
USPC D6/641, 650, 656, 656.15, 692, 692.3,
D6/691.4, 696, 696.1
CPC A47B 9/00; A47B 9/04; A47B 21/00;
A47B 21/02; A47B 2200/0066
See application file for complete search history.

(56) **References Cited**

U.S. PATENT DOCUMENTS

- D254,825 S * 4/1980 Crespi D6/692.3
- D274,557 S 7/1984 Griffith, III

- D292,545 S * 11/1987 Peacock D6/691.1
- D594,255 S * 6/2009 Iwamuro D6/642
- D619,389 S * 7/2010 Mead D6/641
- D627,177 S * 11/2010 Mead D6/650
- D687,657 S * 8/2013 Ruiter D6/656.15
- D743,189 S * 11/2015 Hecht D6/656.15
- 2014/0312754 A1 * 10/2014 Hecht A47B 9/04
312/309

* cited by examiner

Primary Examiner — Janice Seeger

(74) *Attorney, Agent, or Firm* — Michael Best & Friedrich LLP

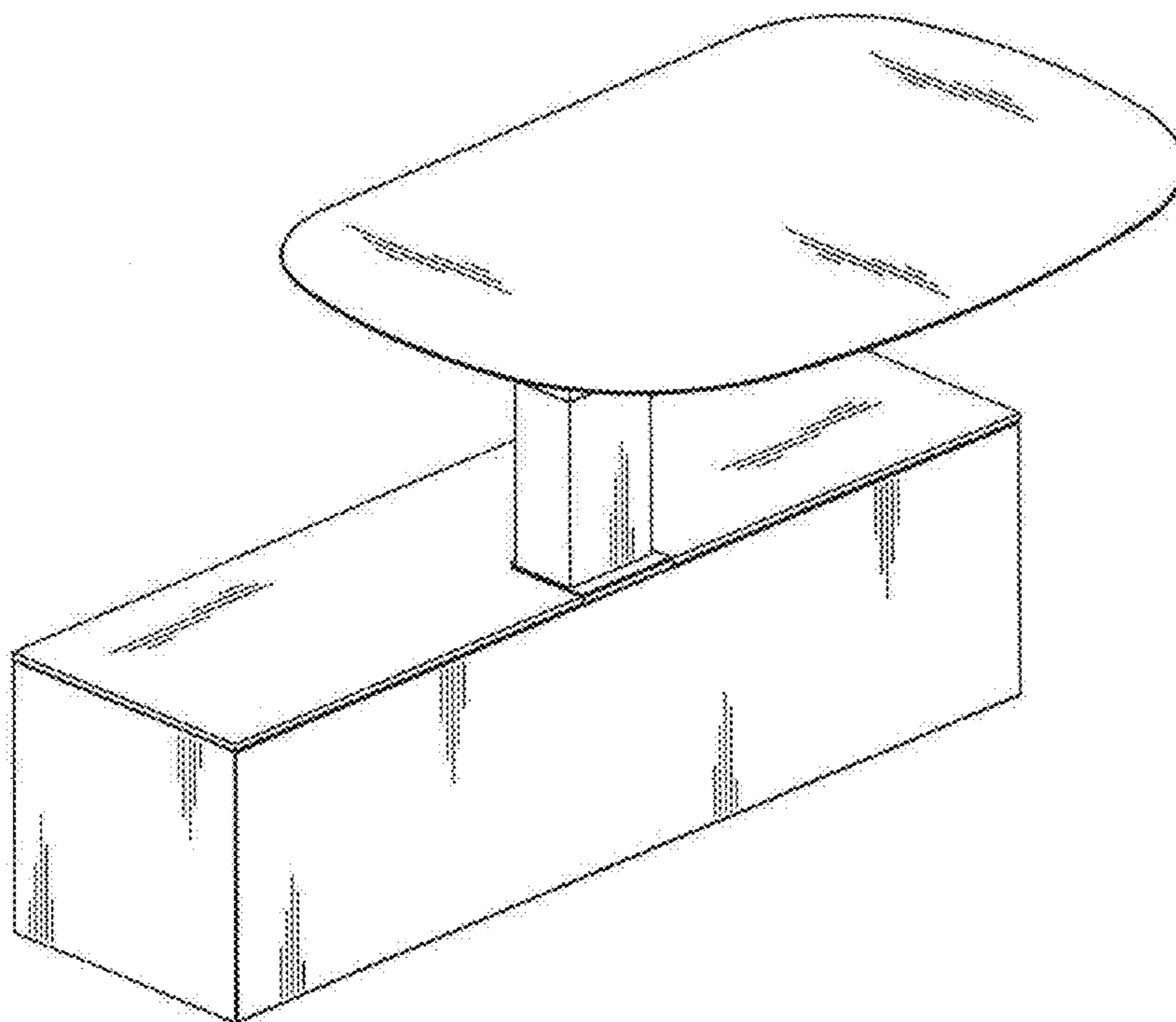
(57) **CLAIM**

We claim the ornamental designs for the workstation, as shown and described.

DESCRIPTION

FIG. 1 shows a perspective view of a first embodiment of a workstation;
 FIG. 2 shows a top view of the workstation of FIG. 1;
 FIG. 3 shows a bottom view of the workstation of FIG. 1;
 FIG. 4 shows a front view of the workstation of FIG. 1;
 FIG. 5 shows a rear view of the workstation of FIG. 1;
 FIG. 6 shows a right side view of the workstation of FIG. 1;
 and,
 FIG. 7 shows a left side view of the workstation of FIG. 1.
 Any broken lines in FIGS. 1-7 are for environmental purposes only and form no part of the claimed designs. The ornamental designs which are claimed are shown in solid lines in the drawings.

1 Claim, 4 Drawing Sheets



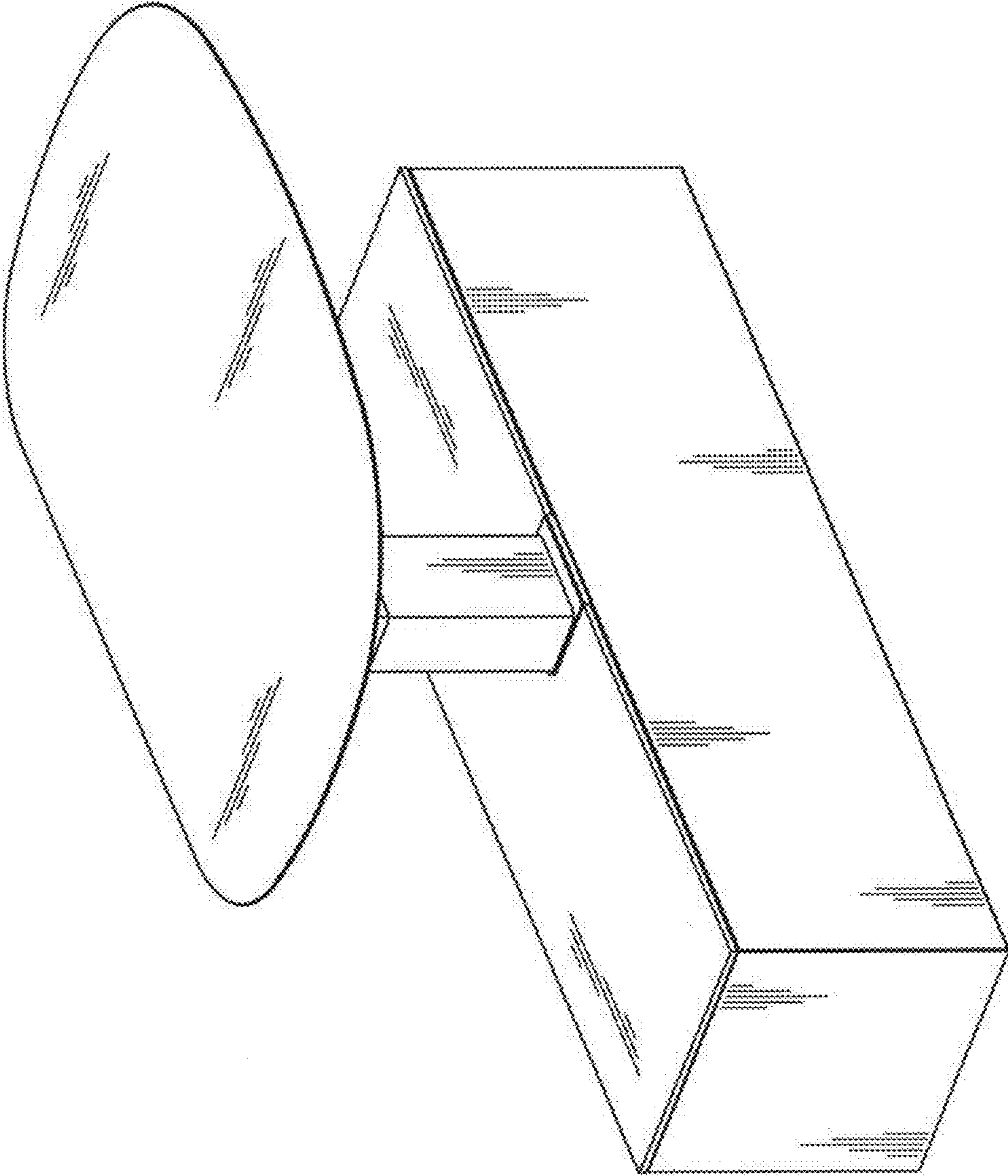


FIG. 1

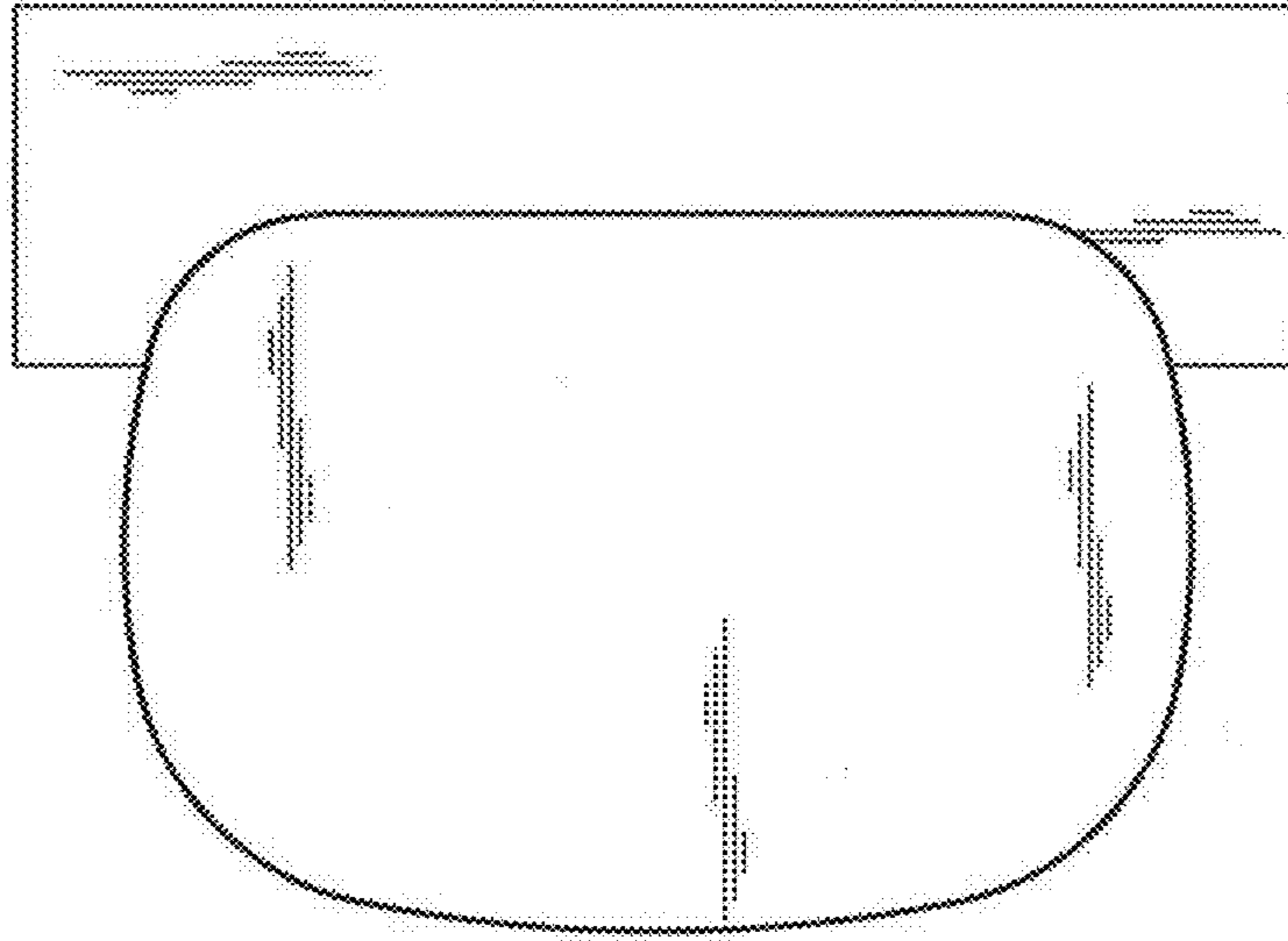


FIG. 2

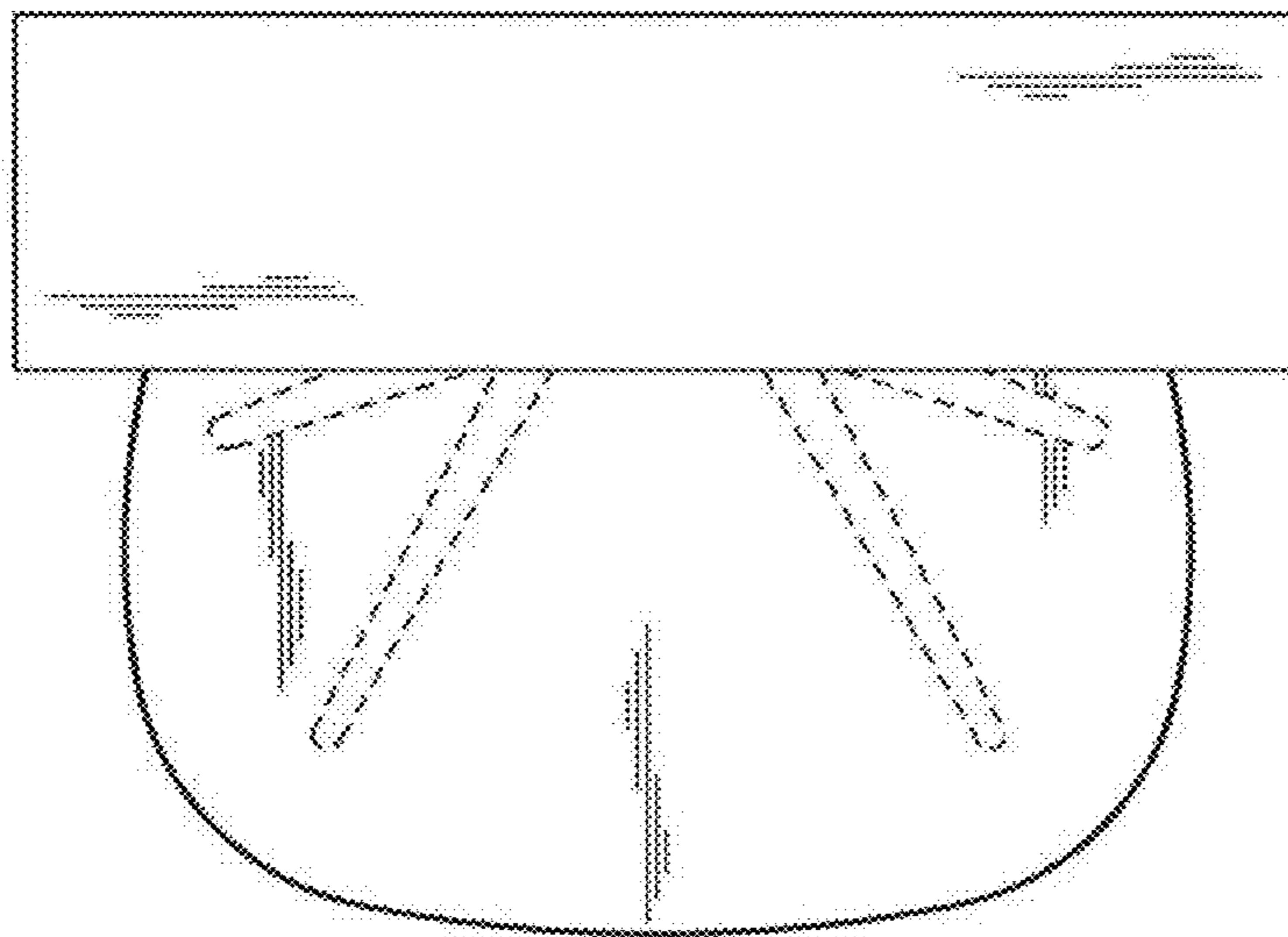


FIG. 3

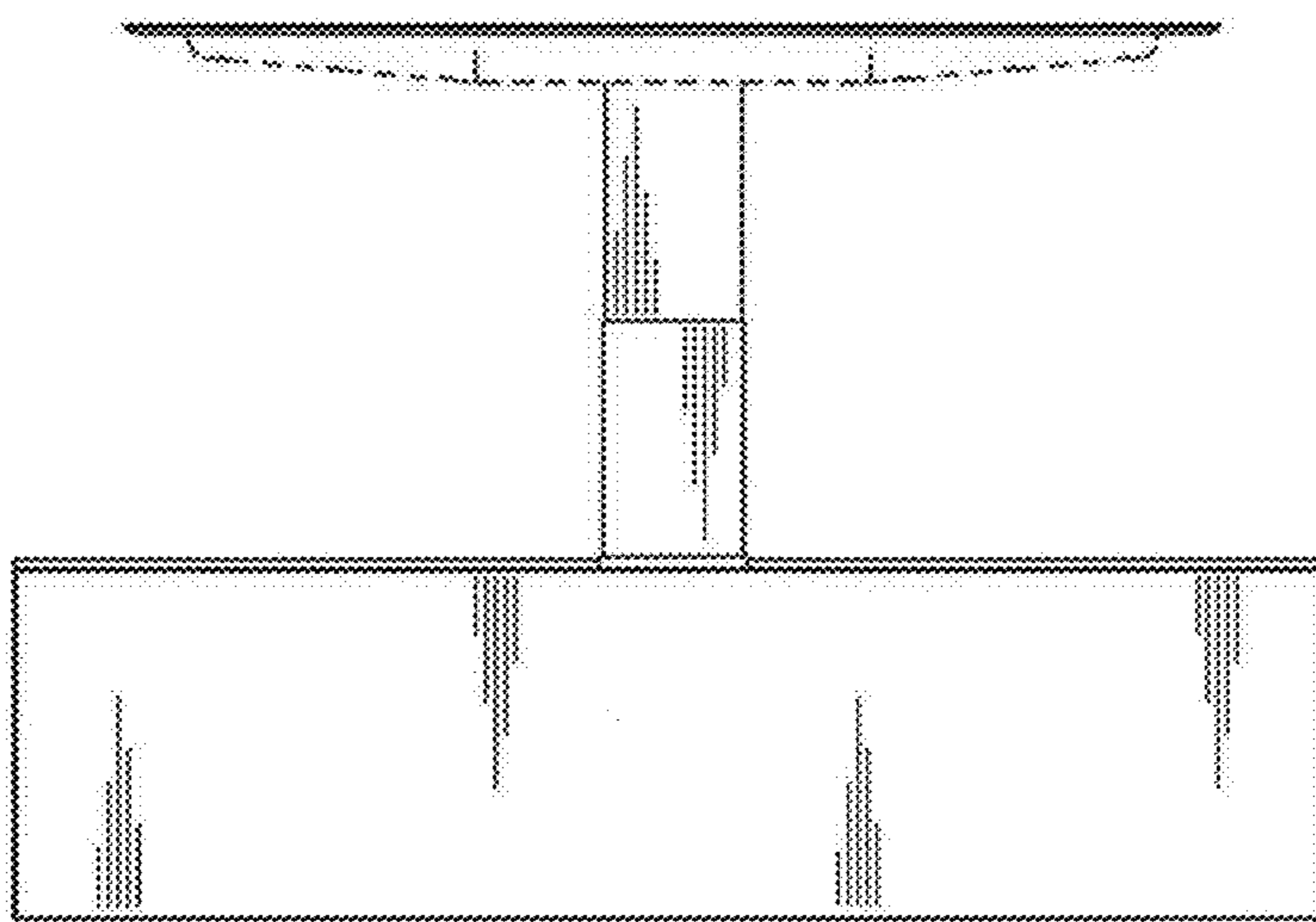


FIG. 4

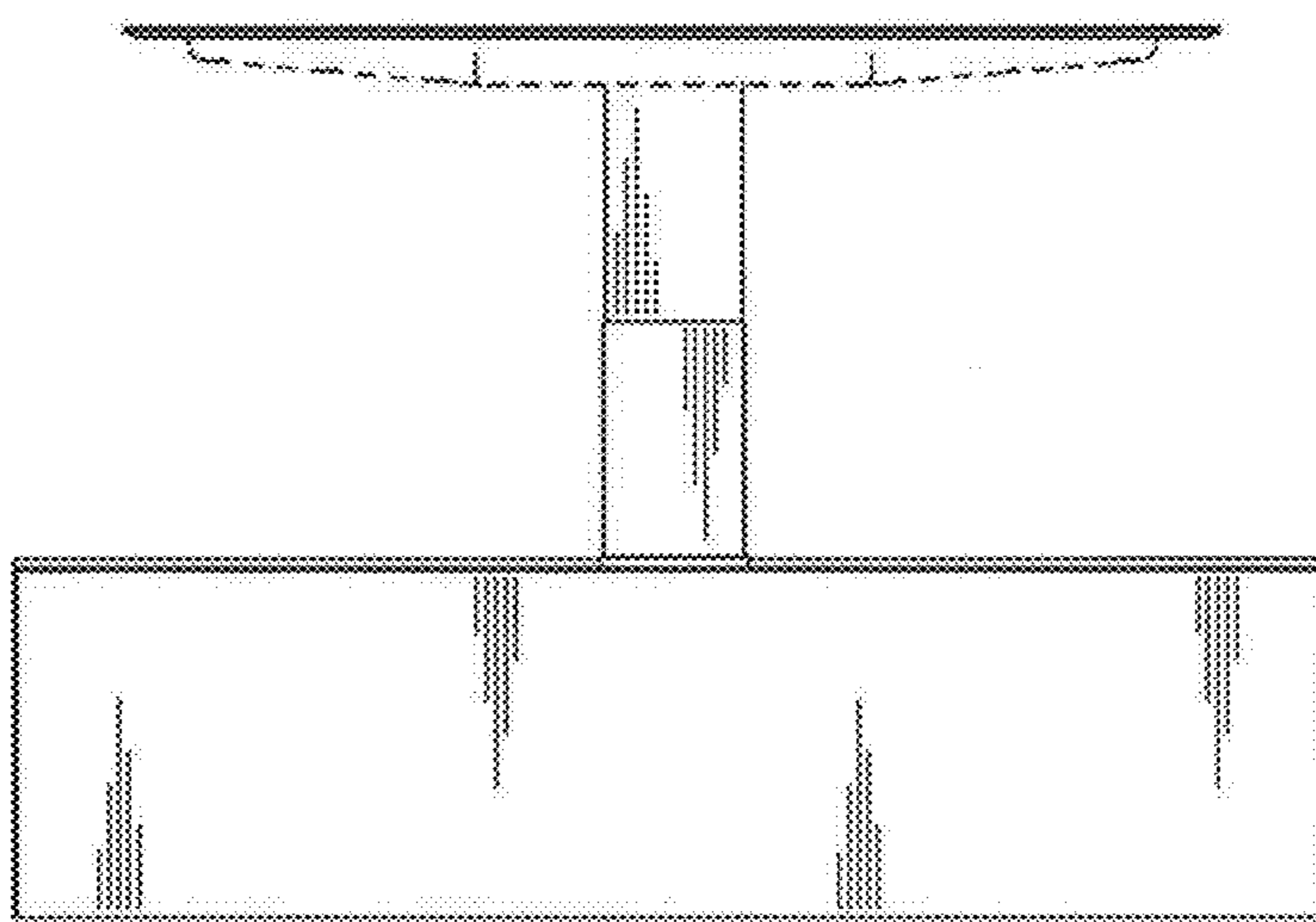


FIG. 5

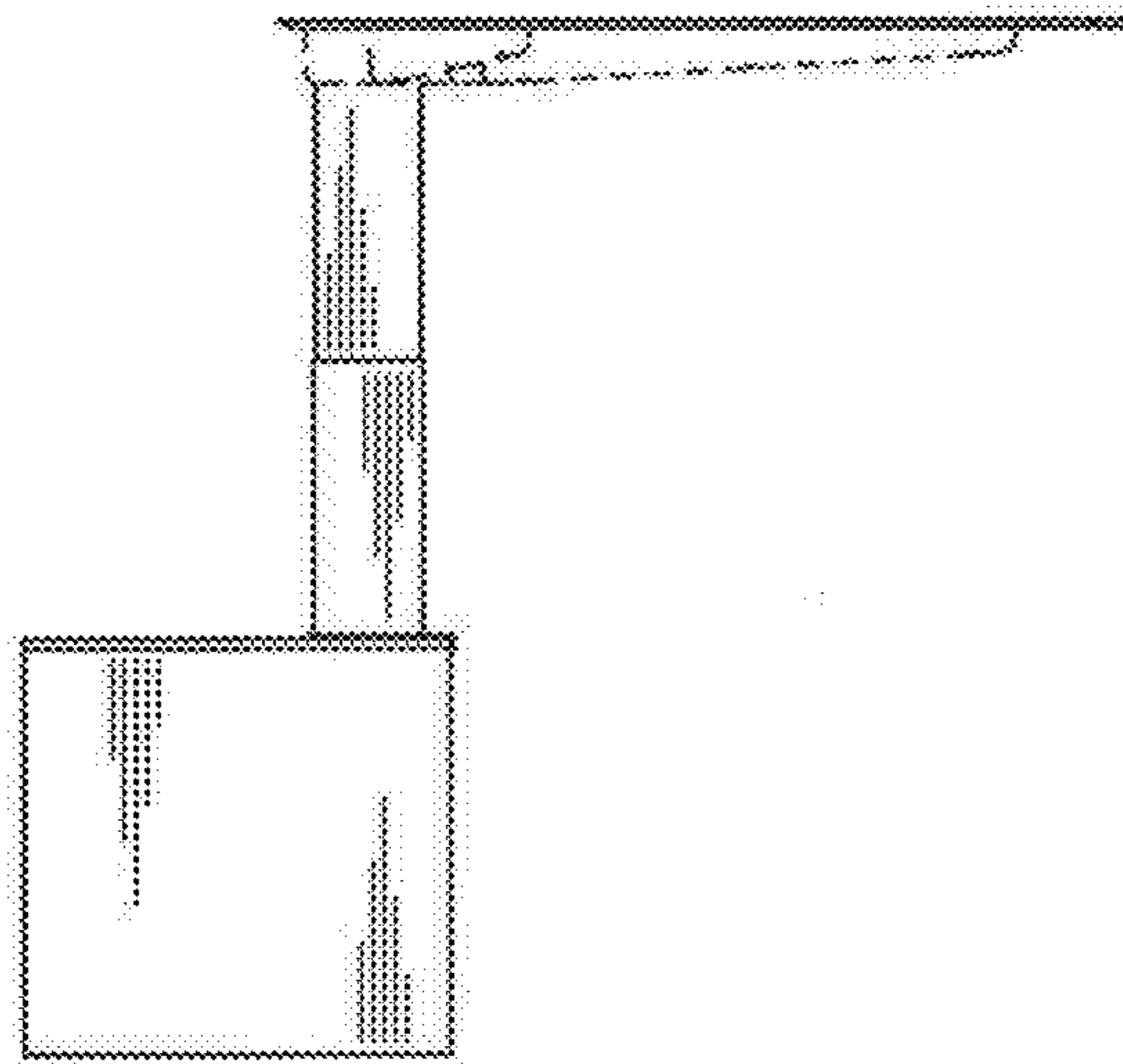


FIG. 6

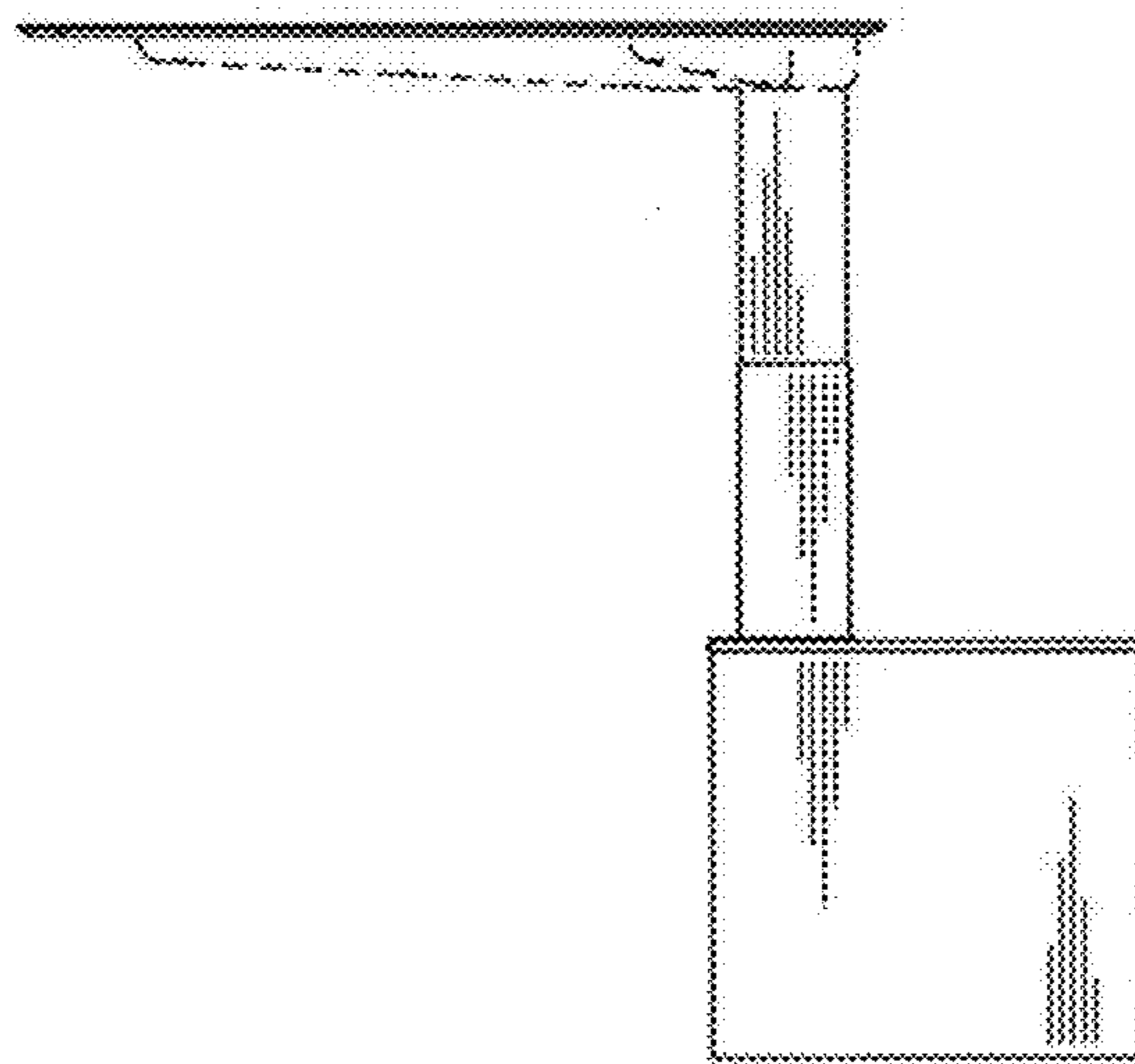


FIG. 7