



US00D752898S

(12) **United States Design Patent**
Lim et al.

(10) **Patent No.:** **US D752,898 S**
(45) **Date of Patent:** **** *Apr. 5, 2016**

(54) **BOTTLE PLATFORM**

(71) Applicant: **Blasong, Inc.**, Houston, TX (US)

(72) Inventors: **Linda Lim**, San Francisco, CA (US);
John W. Lai, San Bruno, CA (US)

(*) Notice: This patent is subject to a terminal disclaimer.

(**) Term: **14 Years**

(21) Appl. No.: **29/463,096**

(22) Filed: **Jul. 25, 2013**

(51) **LOC (10) Cl.** **06-04**

(52) **U.S. Cl.**
USPC **D6/553; D8/373**

(58) **Field of Classification Search**
USPC D6/542-545, 553, 567, 574, 515-526;
206/77.1; 211/13.1, 86.01, 87.01;
221/14, 92, 649, 146.1, 146.2, 105;
222/281-282; D23/225; D8/349, 354,
D8/363, 373, 394; D24/155; D19/81
See application file for complete search history.

(56) **References Cited**

U.S. PATENT DOCUMENTS

2,252,260 A * 8/1941 Jones 248/311.2
D191,715 S * 11/1961 Lugowski D6/553

D231,947 S * 6/1974 Weber D6/553
D300,891 S * 5/1989 Roland D6/567
D344,876 S * 3/1994 Vandergon D6/567
D354,188 S * 1/1995 Koehler D6/553
D362,780 S 10/1995 Hampshire
5,971,192 A 10/1999 Hampshire
D452,099 S * 12/2001 Poitras et al. D6/545
D483,587 S 12/2003 Snell
6,886,792 B2 5/2005 Zimmerman
D620,982 S * 8/2010 Parshad D19/81
8,225,946 B2 7/2012 Sandor
2001/0020621 A1 9/2001 Immerman

* cited by examiner

Primary Examiner — Brian N Vinson

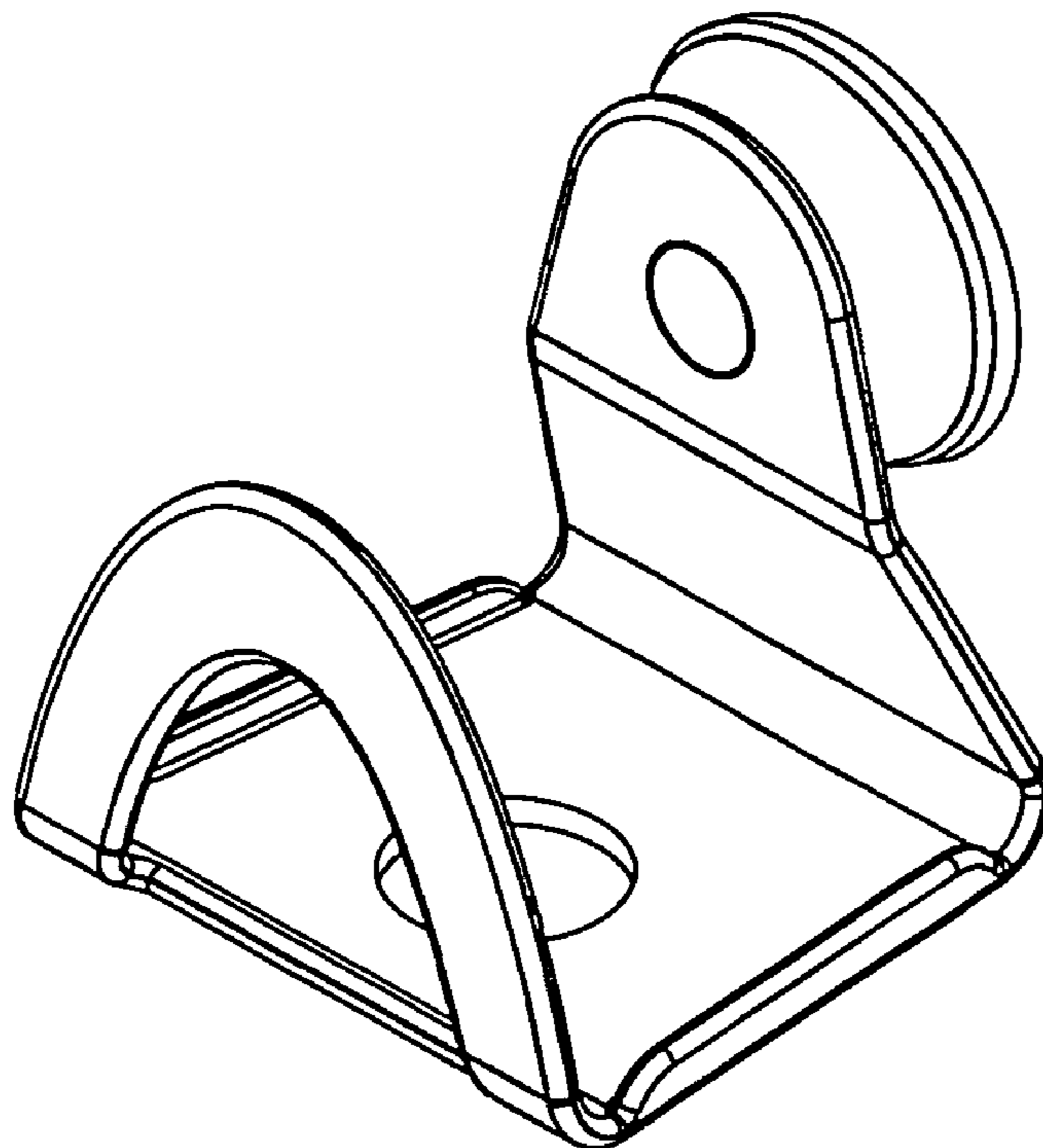
(57) **CLAIM**

The ornamental design for a bottle platform, as shown and described.

DESCRIPTION

FIG. 1 is a front, right side perspective view of a bottle platform showing our new design;
FIG. 2 is a front view thereof;
FIG. 3 is a back view thereof;
FIG. 4 is a right side view thereof;
FIG. 5 is a left side view thereof;
FIG. 6 is a top plan view thereof;
FIG. 7 is a bottom plan view thereof; and,
FIG. 8 is an exploded front and right side perspective view thereof.

1 Claim, 4 Drawing Sheets



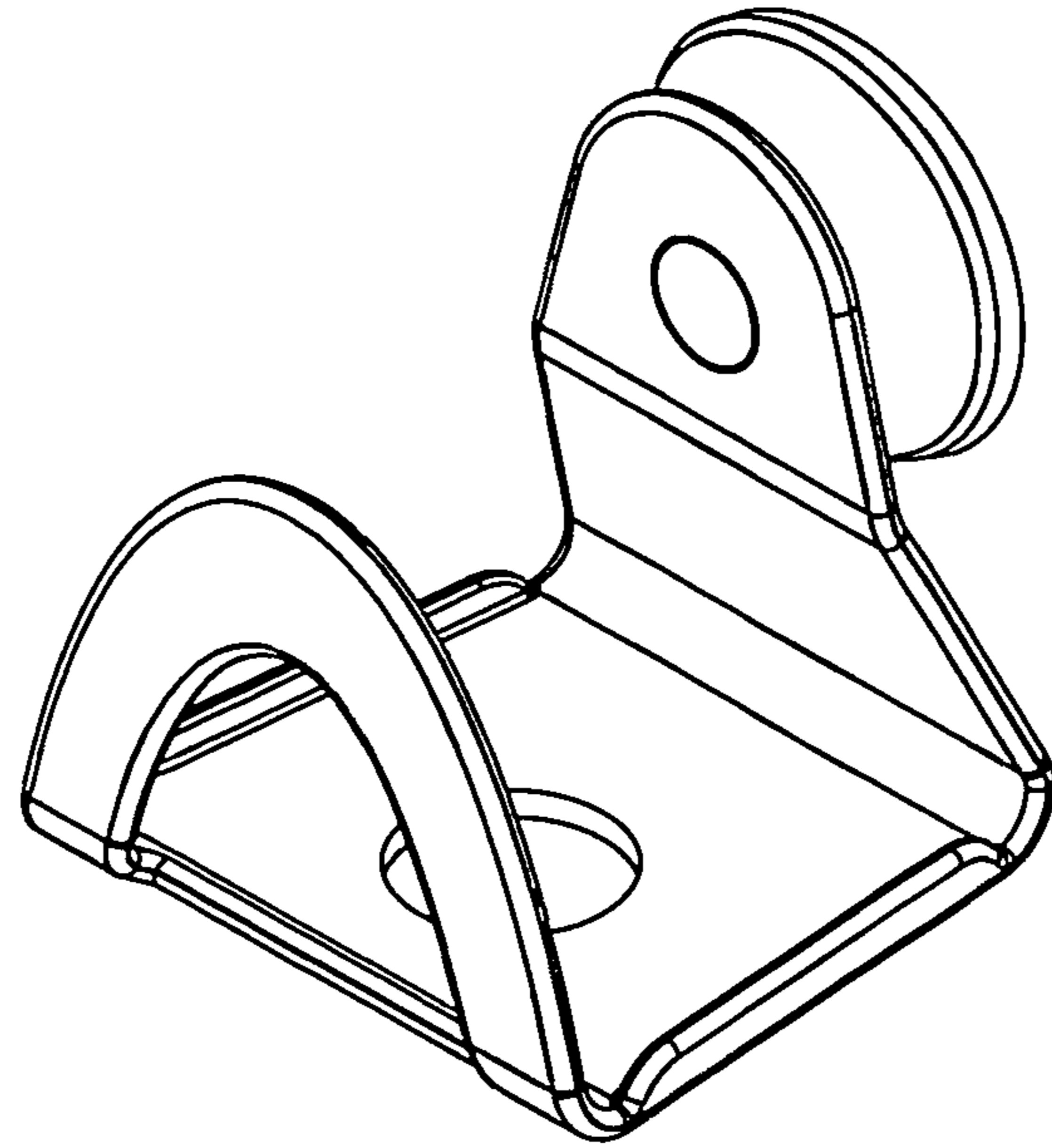


Fig 1

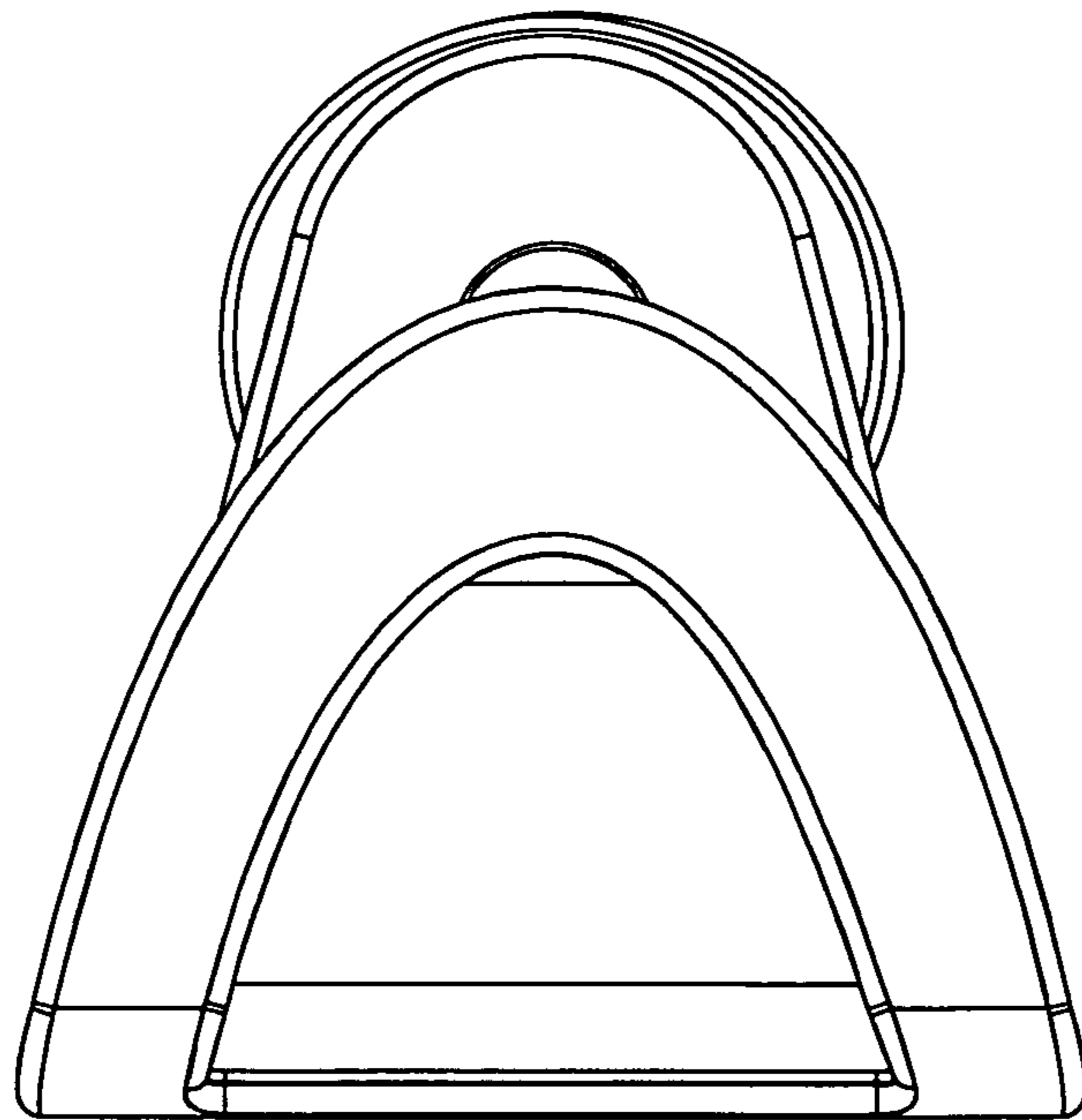


Fig 2

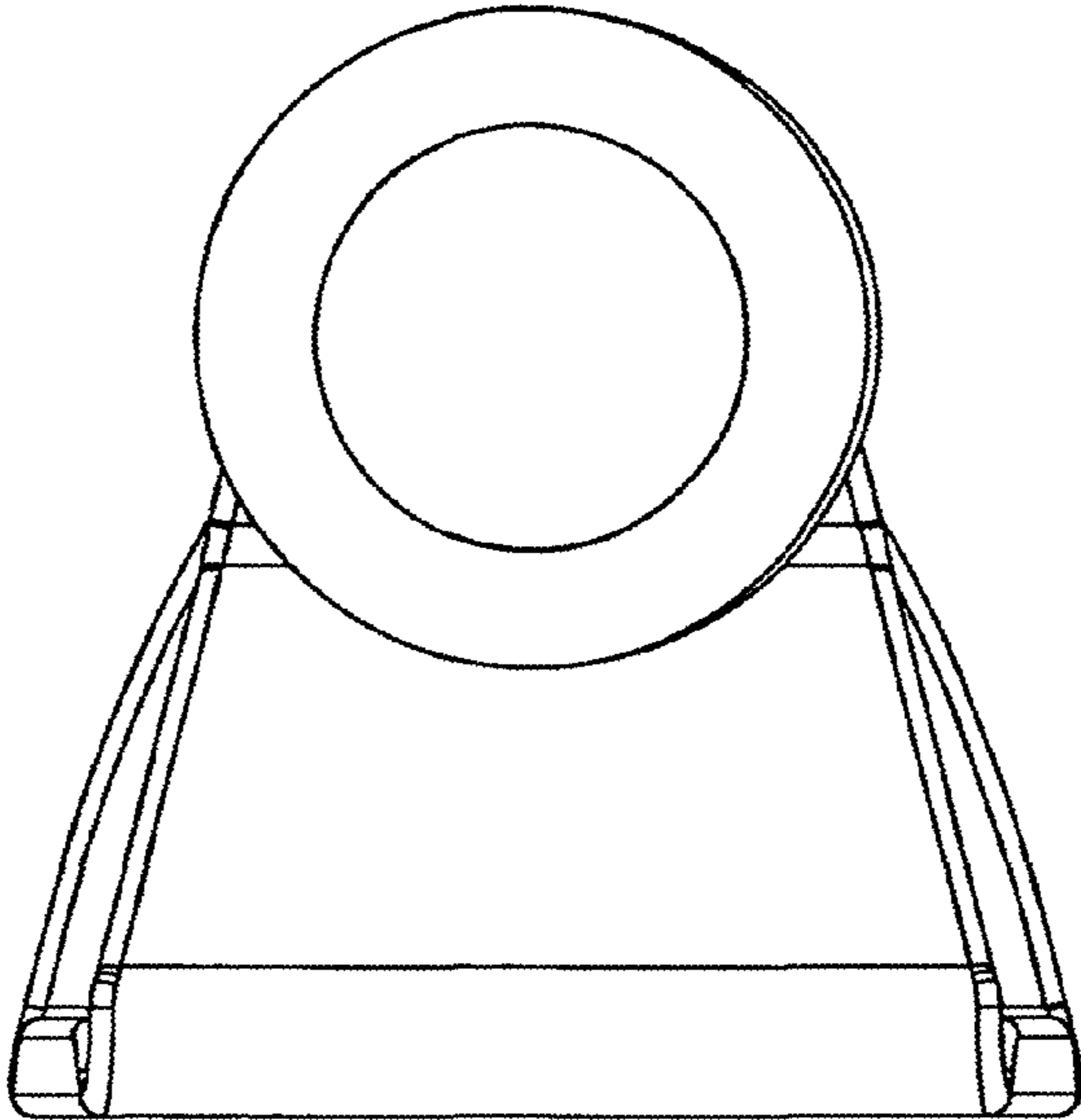


Fig 3

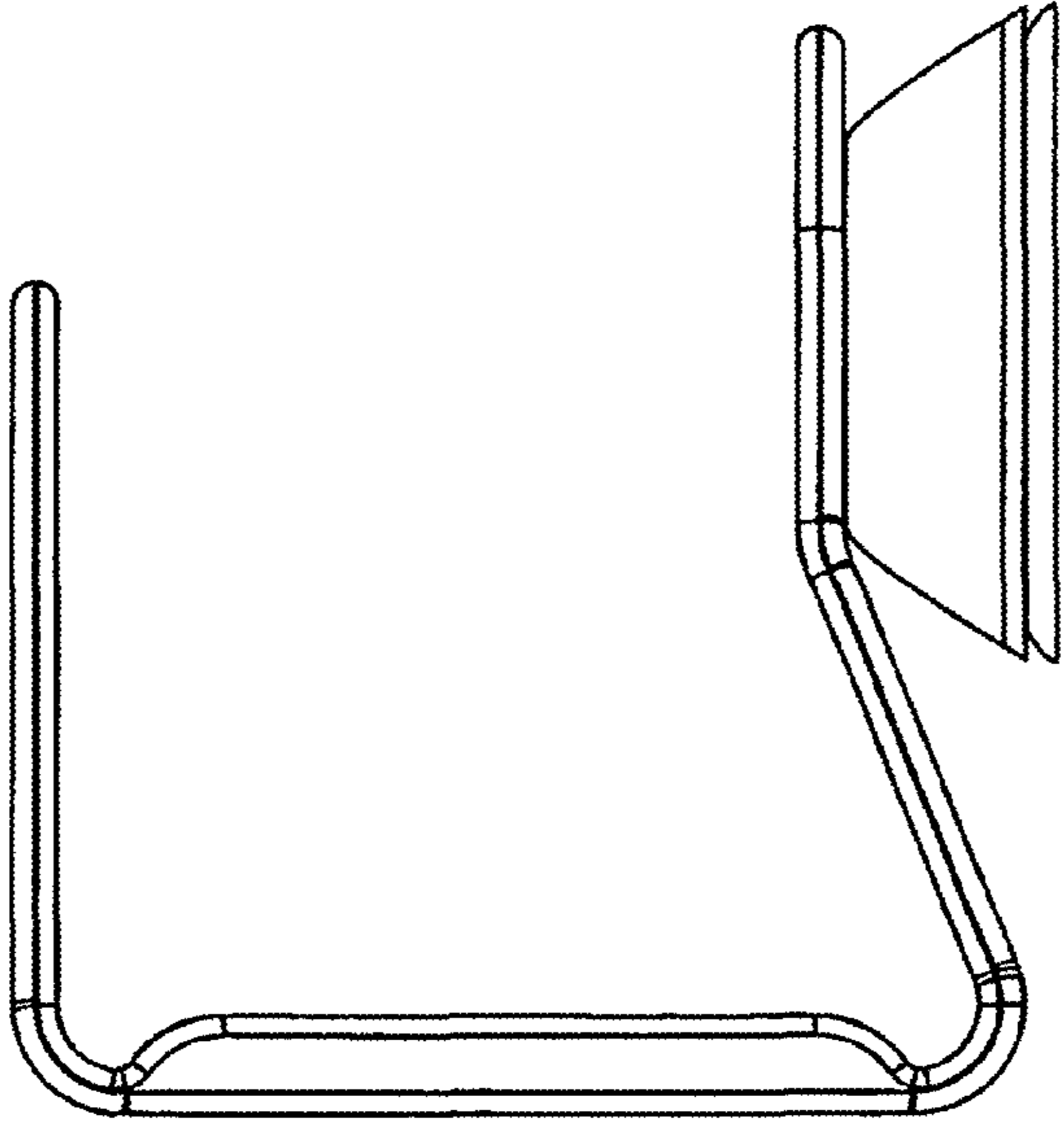


Fig 4

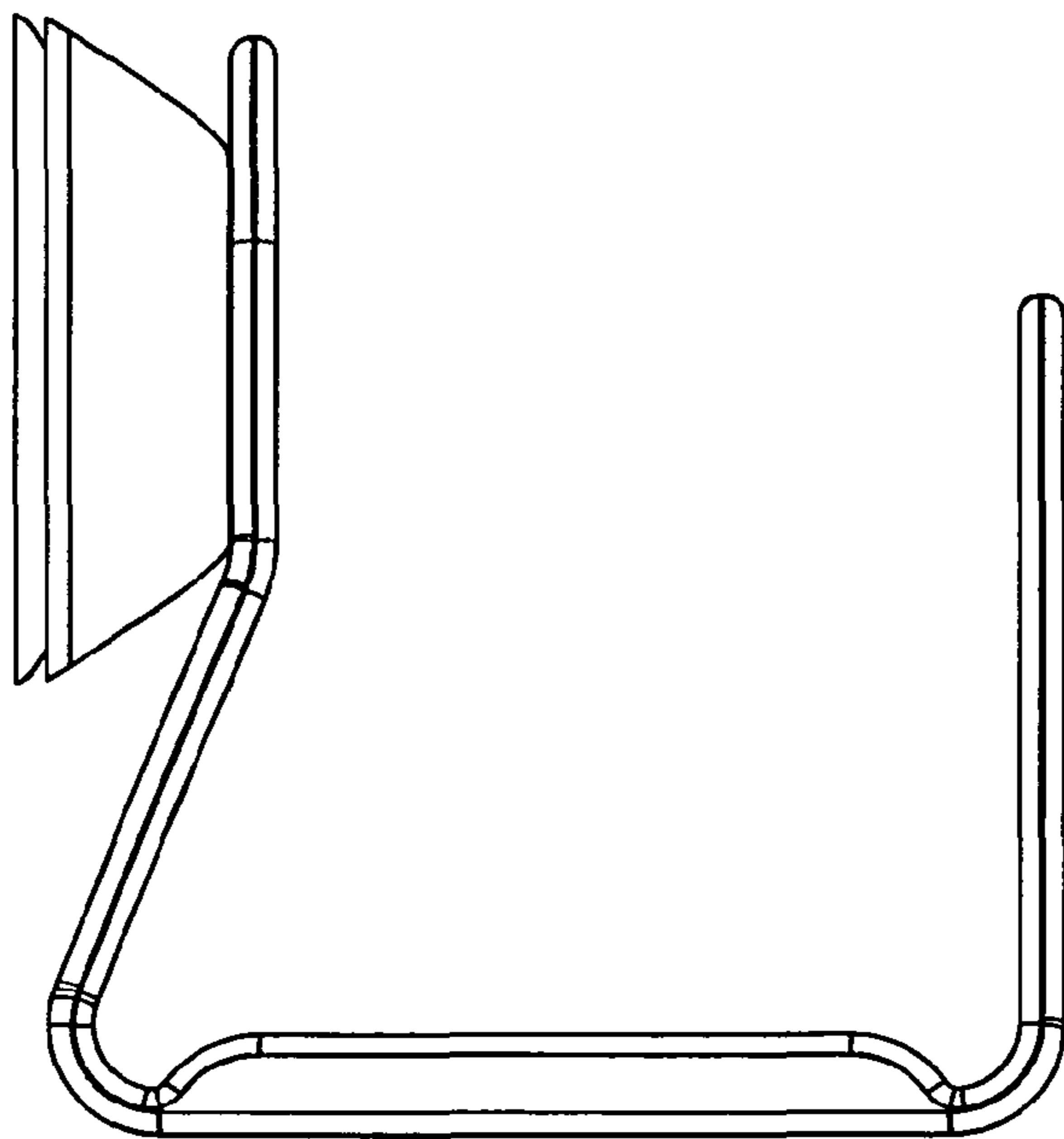


Fig 5

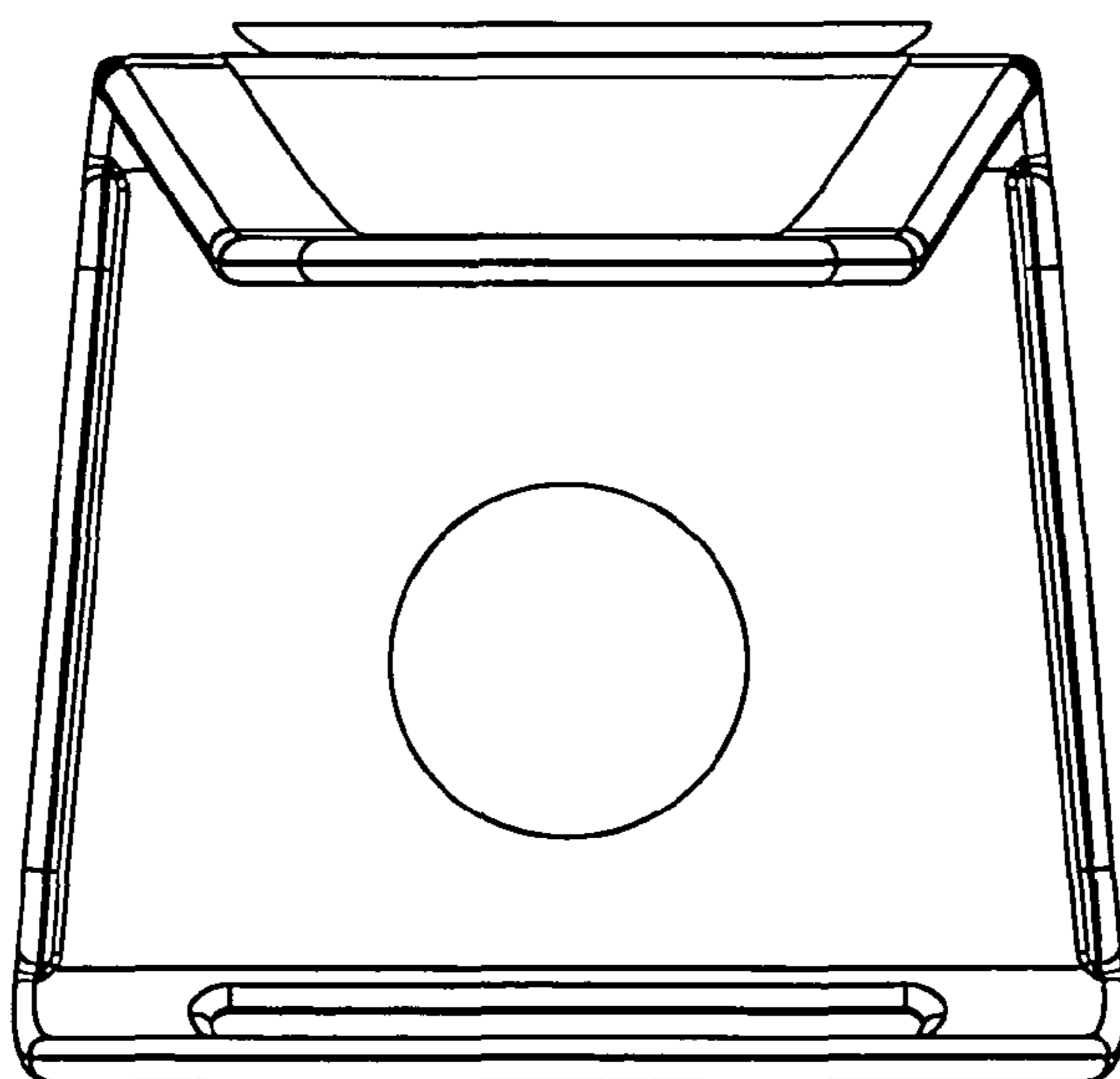


Fig 6

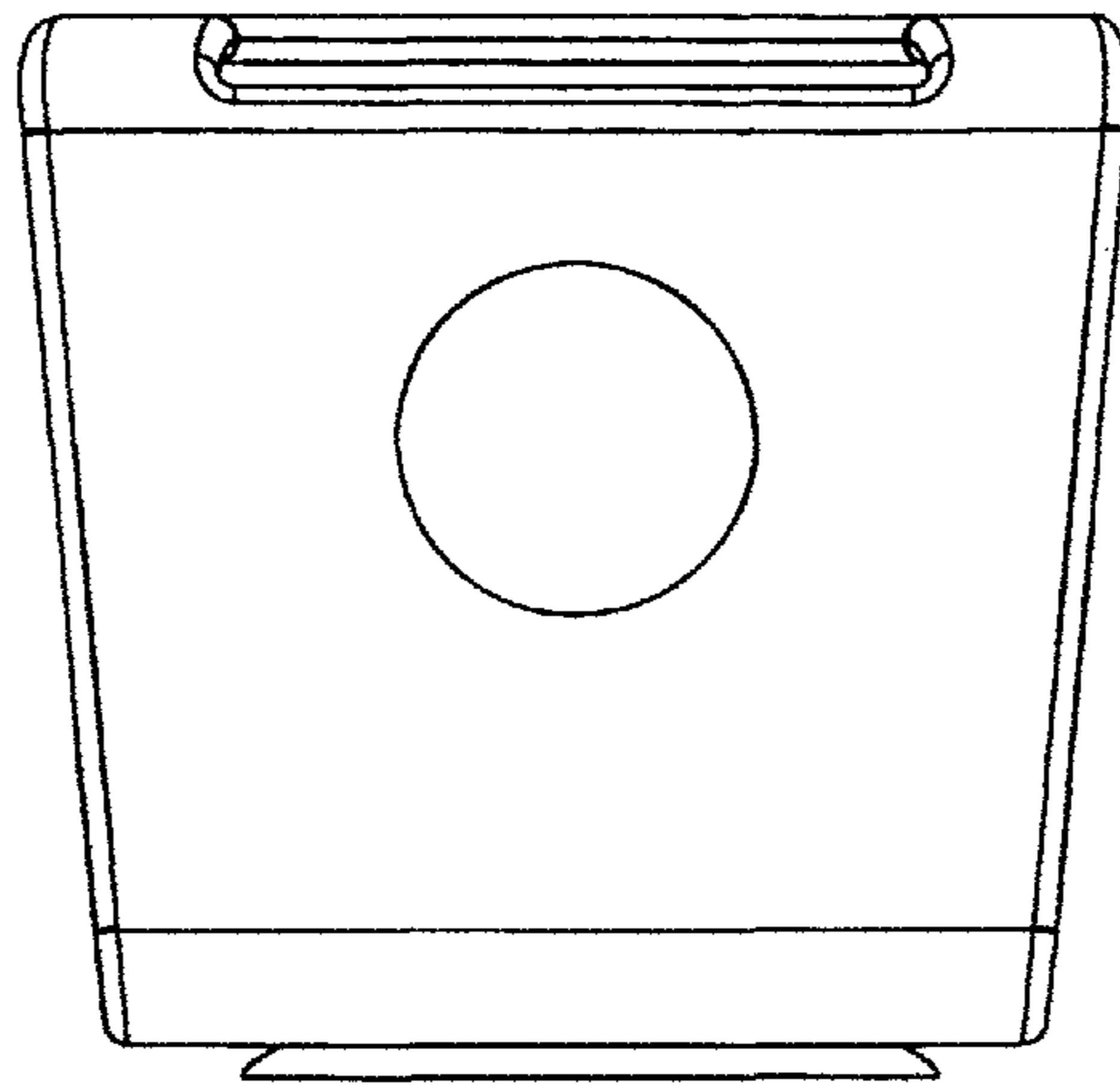


Fig 7

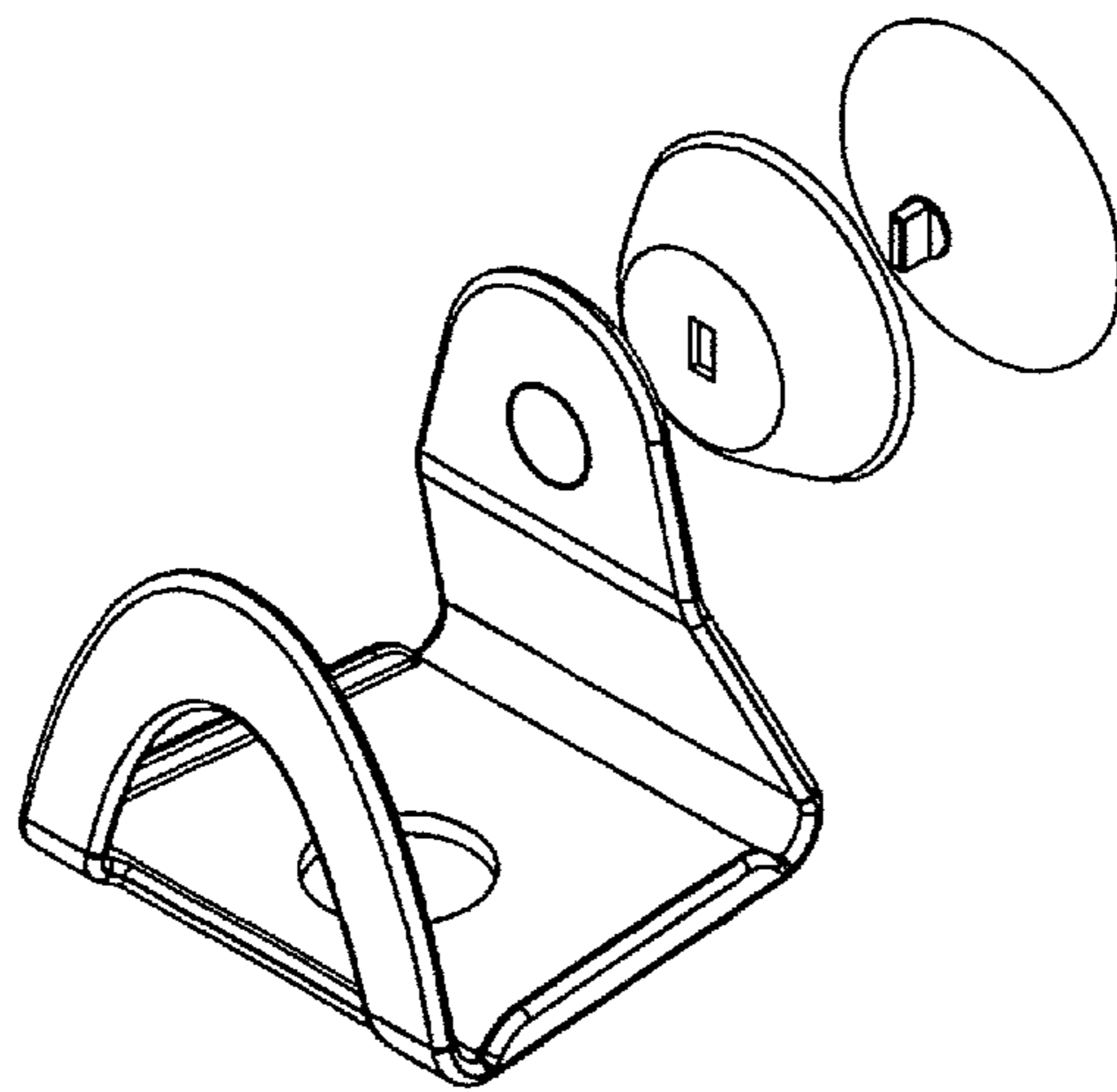


Fig 8