



US00D752897S

(12) **United States Design Patent**
Foley

(10) **Patent No.:** **US D752,897 S**
(45) **Date of Patent:** **** Apr. 5, 2016**

- (54) **SOFA**
- (71) Applicant: **Shelby Kaye Foley**, Pleasant Hill, MO (US)
- (72) Inventor: **Shelby Kaye Foley**, Pleasant Hill, MO (US)
- (**) Term: **14 Years**
- (21) Appl. No.: **29/491,301**
- (22) Filed: **May 20, 2014**
- (51) **LOC (10) Cl.** **06-01**
- (52) **U.S. Cl.**
USPC **D6/381**
- (58) **Field of Classification Search**
USPC D6/334–338, 349, 355, 361, 368–370, D6/376, 379–381, 716, 716.1, 716.2, 340, D6/354, 377; 297/16.1, 42, 94, 135, 175, 297/232, 233, 350, 351, 445.1, 448.1, 297/448.2, 451.9; 5/12.1, 12.2
CPC A47C 1/02; A47C 7/24; A47C 17/00; A47C 17/02; A47C 17/045; A47C 17/12; A47C 17/132; A47C 17/136
See application file for complete search history.

D335,779 S *	5/1993	Newhouse	D6/381
D337,450 S *	7/1993	Dettinger	D6/381
D352,615 S *	11/1994	Hutton	D6/334
D386,909 S *	12/1997	Mourgue	D6/334
D393,956 S *	5/1998	Kane	D6/374
D416,717 S *	11/1999	Chalmers et al.	D6/500
D417,103 S *	11/1999	Chalmers et al.	D6/500
D417,104 S *	11/1999	Chalmers et al.	D6/500
D417,569 S *	12/1999	Chalmers et al.	D6/500
D539,487 S *	3/2007	Van Ysseldyk	D30/118
D560,919 S *	2/2008	Simons, Jr.	D6/381
D581,690 S *	12/2008	Sempe	D6/381
D600,466 S *	9/2009	Cramer et al.	D6/381
D602,706 S *	10/2009	Cramer et al.	D6/381
D638,229 S *	5/2011	Lewis	D6/334
D676,683 S *	2/2013	Martin et al.	D6/381
D686,002 S *	7/2013	Martin	D6/334

* cited by examiner

Primary Examiner — Sandra Snapp
(74) *Attorney, Agent, or Firm* — Mashburn Law Office, LLC; Donna Denise Mashburn

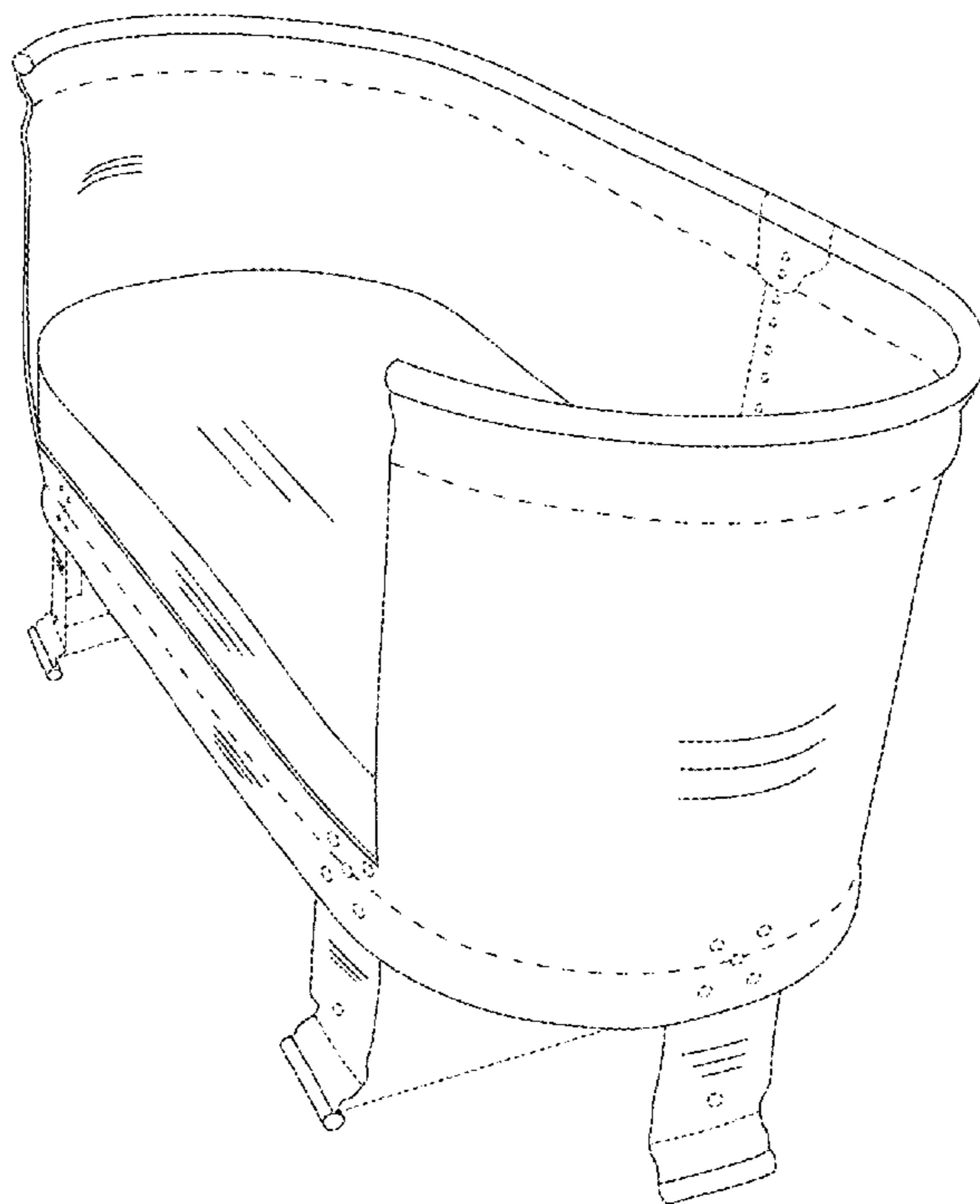
(57) **CLAIM**
The ornamental design for a sofa, as shown and described.

DESCRIPTION

FIG. 1 is a side perspective view of the sofa; FIG. 2 is a front perspective view of the sofa; and, FIG. 3 is a back perspective view of the sofa. The broken lines in FIGS. 1-3 are directed to environment and are for illustrative purposes only. The broken lines form no part of the claimed design.

1 Claim, 3 Drawing Sheets

- (56) **References Cited**
U.S. PATENT DOCUMENTS
D269,231 S * 6/1983 Pickler D6/334
D303,327 S * 9/1989 Masarotti D6/334
D327,583 S * 7/1992 Dettinger D6/334



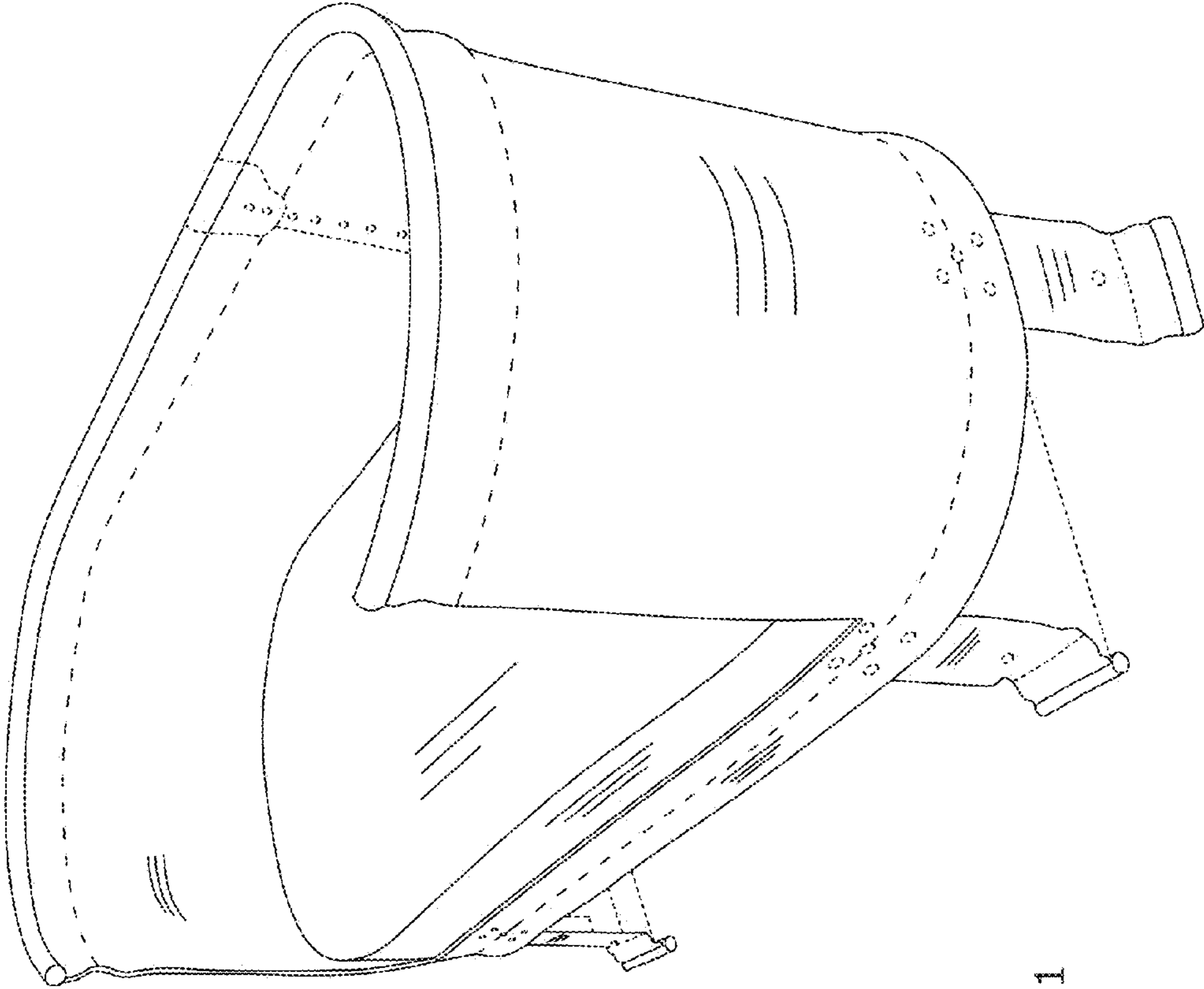


FIG. 1

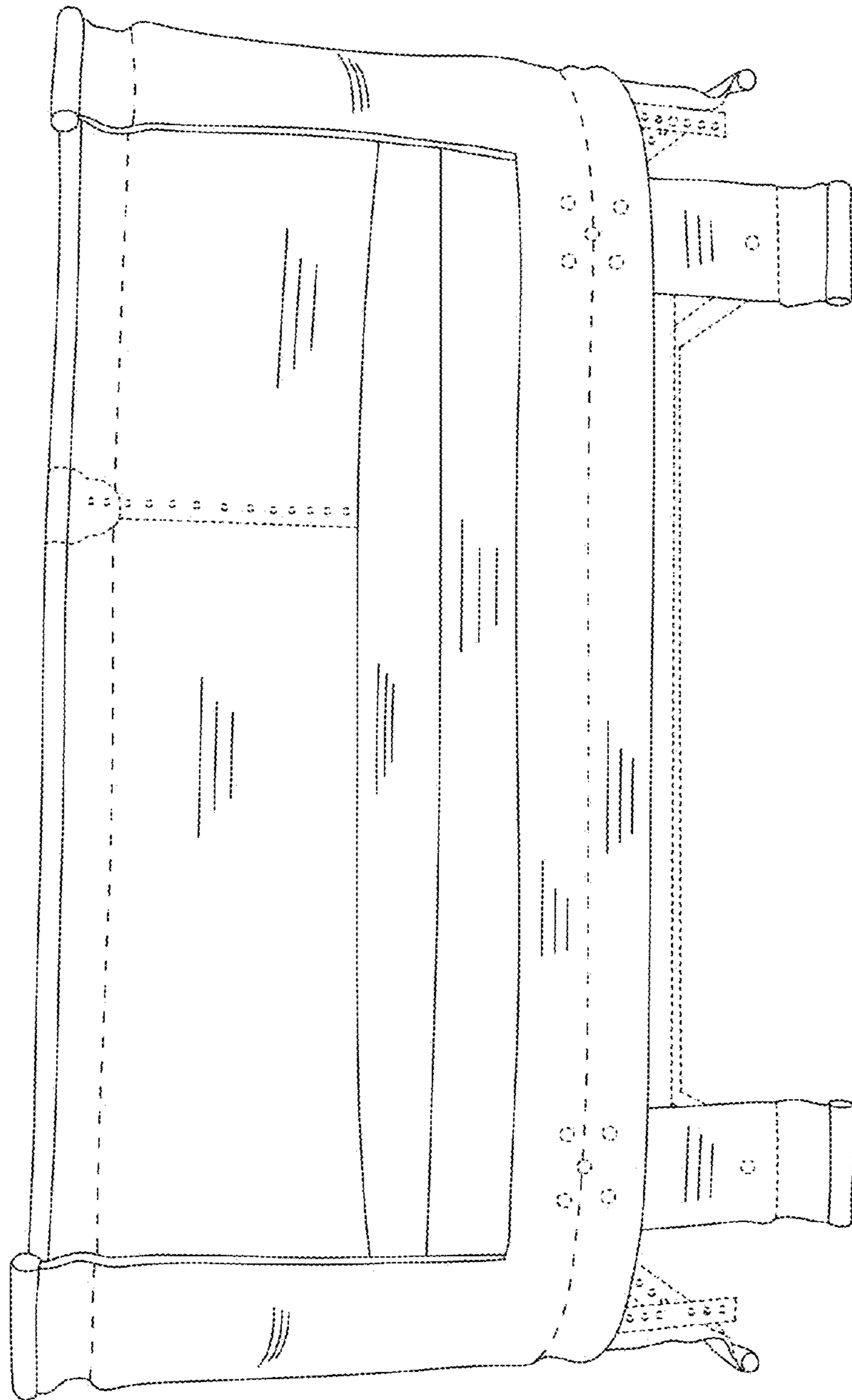


FIG. 2

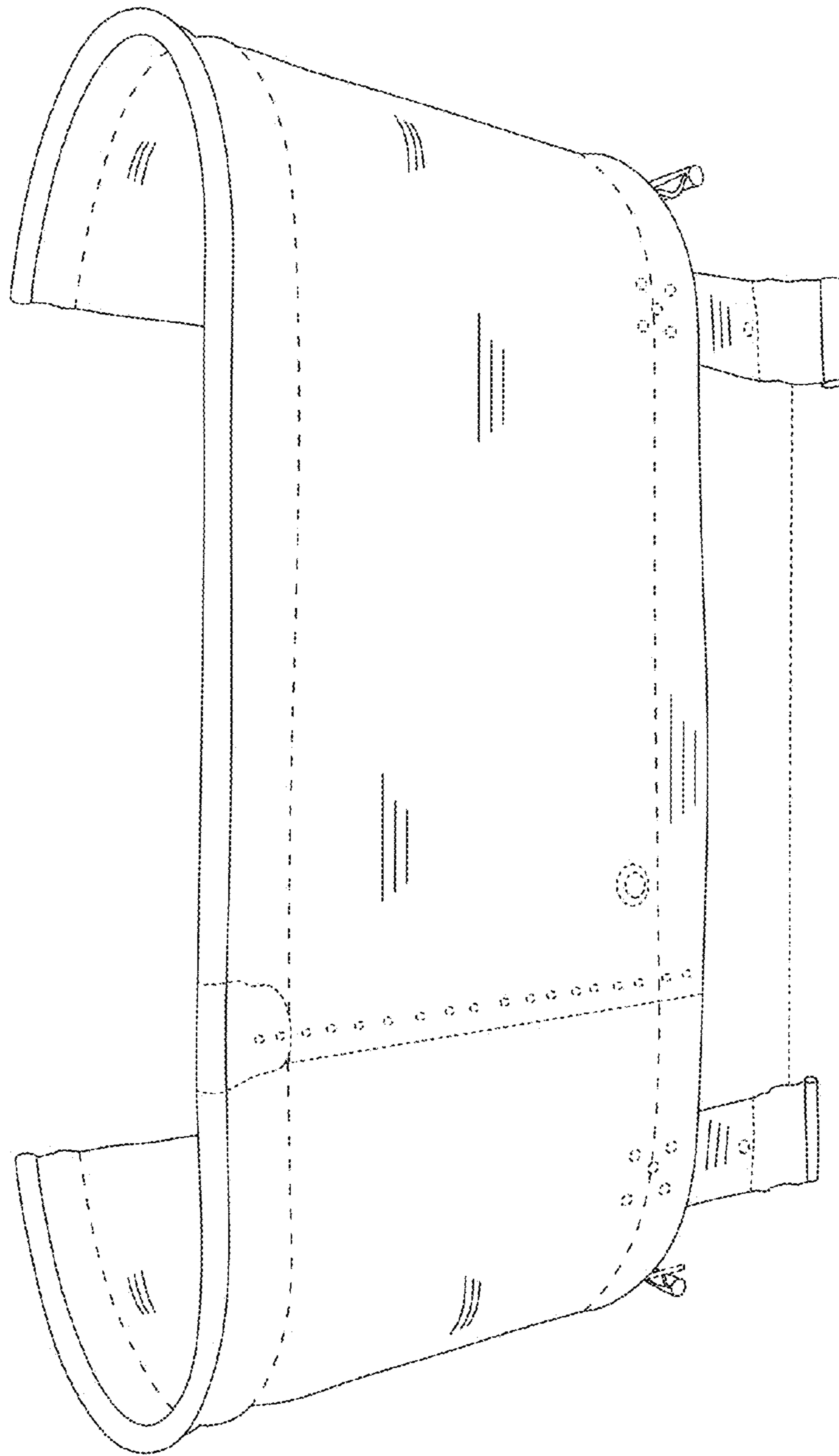


FIG. 3