



US00D752895S

(12) **United States Design Patent**
Moore

(10) **Patent No.:** **US D752,895 S**

(45) **Date of Patent:** **** Apr. 5, 2016**

(54) **CHAIR**

(71) Applicant: **James D. Moore**, Tujunga, CA (US)

(72) Inventor: **James D. Moore**, Tujunga, CA (US)

(**) Term: **14 Years**

(21) Appl. No.: **29/514,005**

(22) Filed: **Jan. 7, 2015**

(51) **LOC (10) Cl.** **06-01**

(52) **U.S. Cl.**
USPC **D6/380**

(58) **Field of Classification Search**

USPC D6/334-336, 371, 372, 373, 374, 375,
D6/376, 379, 380, 716, 716.1, 716.4

CPC A47C 4/02; A47C 4/03; A47C 3/12;
A47C 5/12; A47C 7/16

See application file for complete search history.

(56) **References Cited**

U.S. PATENT DOCUMENTS

D199,902 S * 12/1964 Petersen D6/374
D218,302 S * 8/1970 Bertram D6/380

D227,960 S * 7/1973 Ekuan D6/374
D488,632 S * 4/2004 Muller D6/380
D577,219 S * 9/2008 Kreiss D6/379
D590,620 S * 4/2009 Ziliani D6/374

* cited by examiner

Primary Examiner — Mimoso De

(74) *Attorney, Agent, or Firm* — Albert O. Cota

(57) **CLAIM**

The ornamental design for a chair, as shown and described.

DESCRIPTION

FIG. 1 is a front orthographic view of a chair showing my new design,

FIG. 2 is a rear orthographic view thereof;

FIG. 3 is a right side elevational view thereof; the left side being a mirror image;

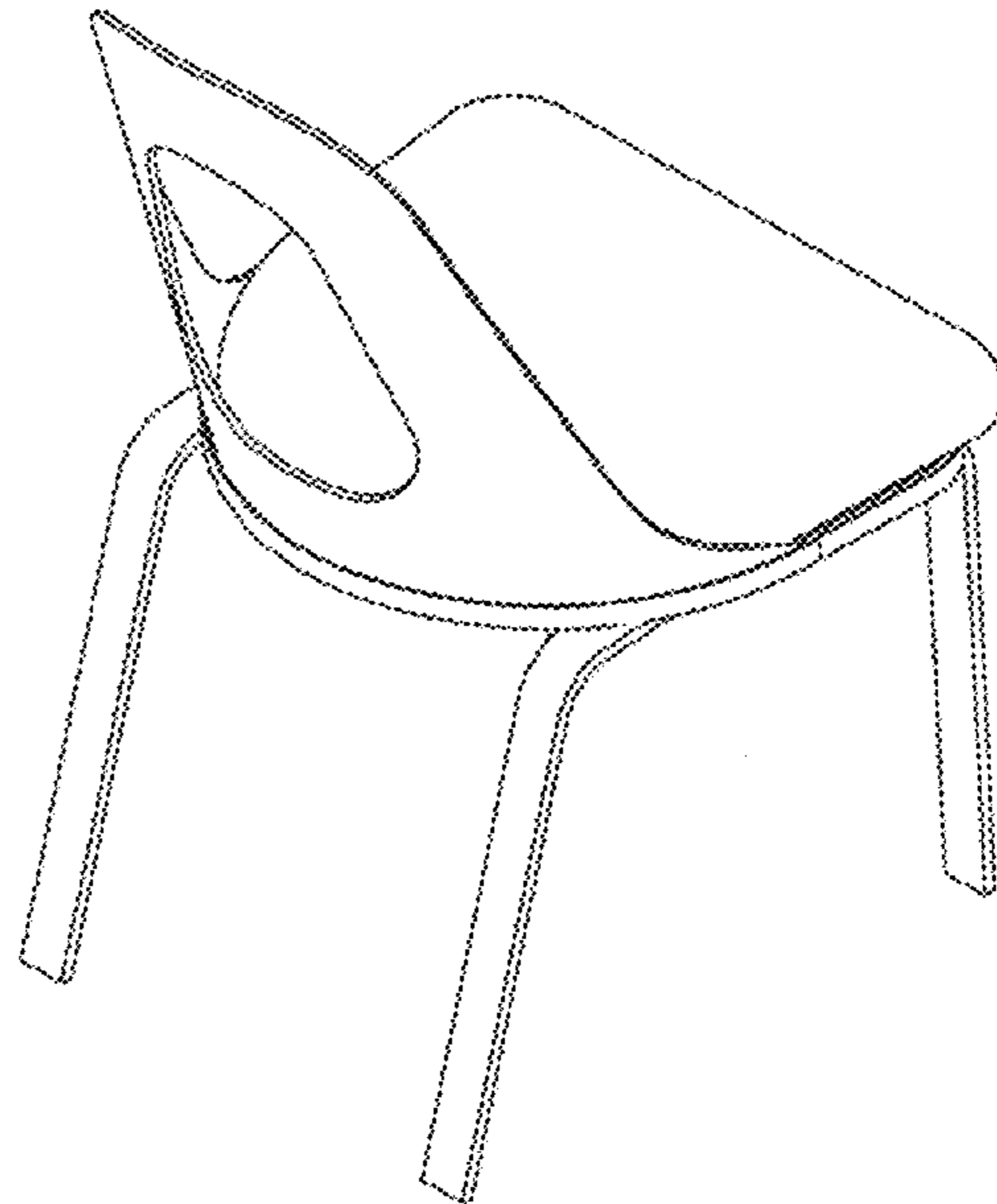
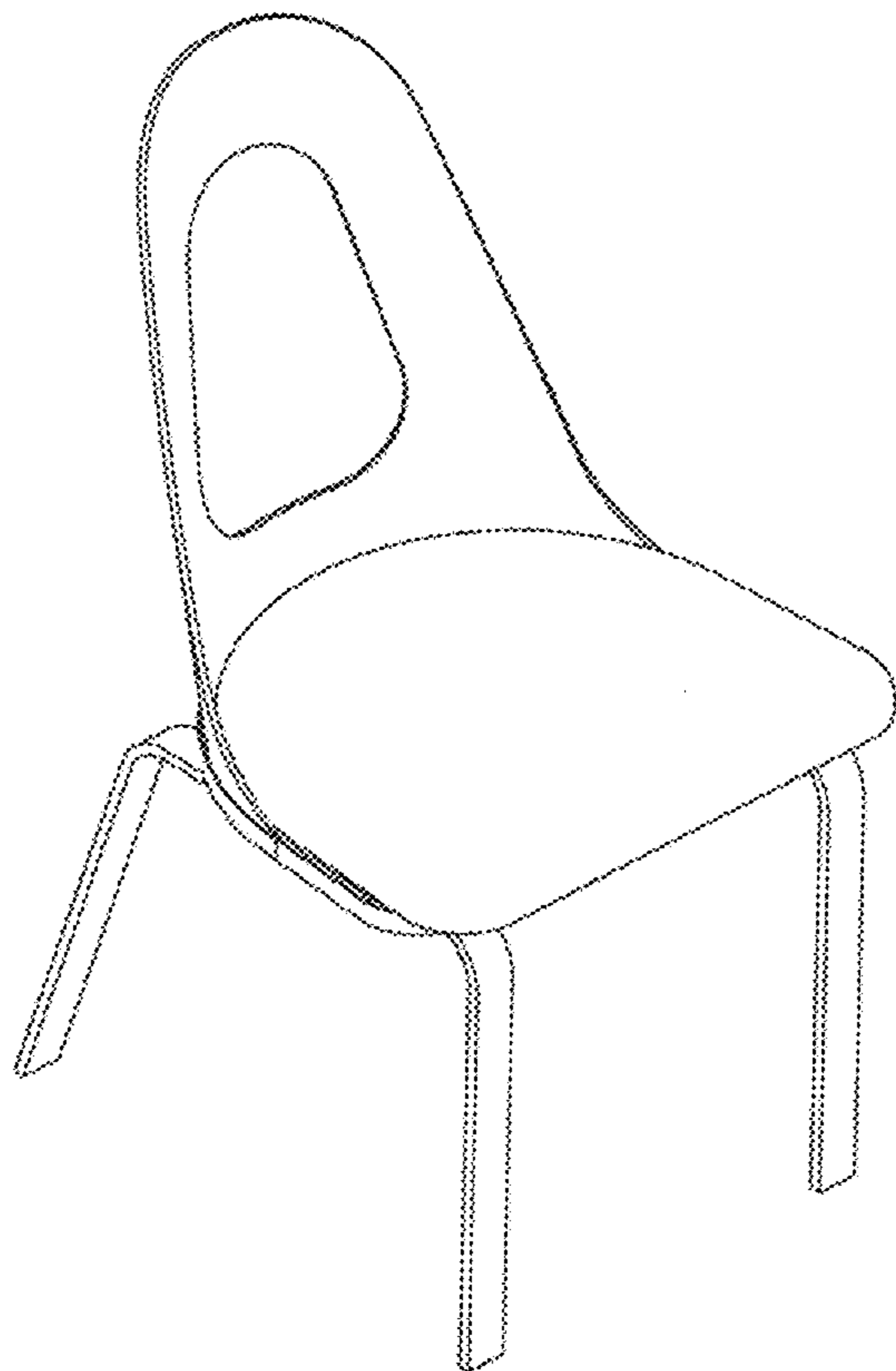
FIG. 4 is a front elevational view thereof;

FIG. 5 is a rear elevational plan view thereof;

FIG. 6 is a top plan view thereof; and,

FIG. 7 is a bottom plan view thereof.

1 Claim, 6 Drawing Sheets



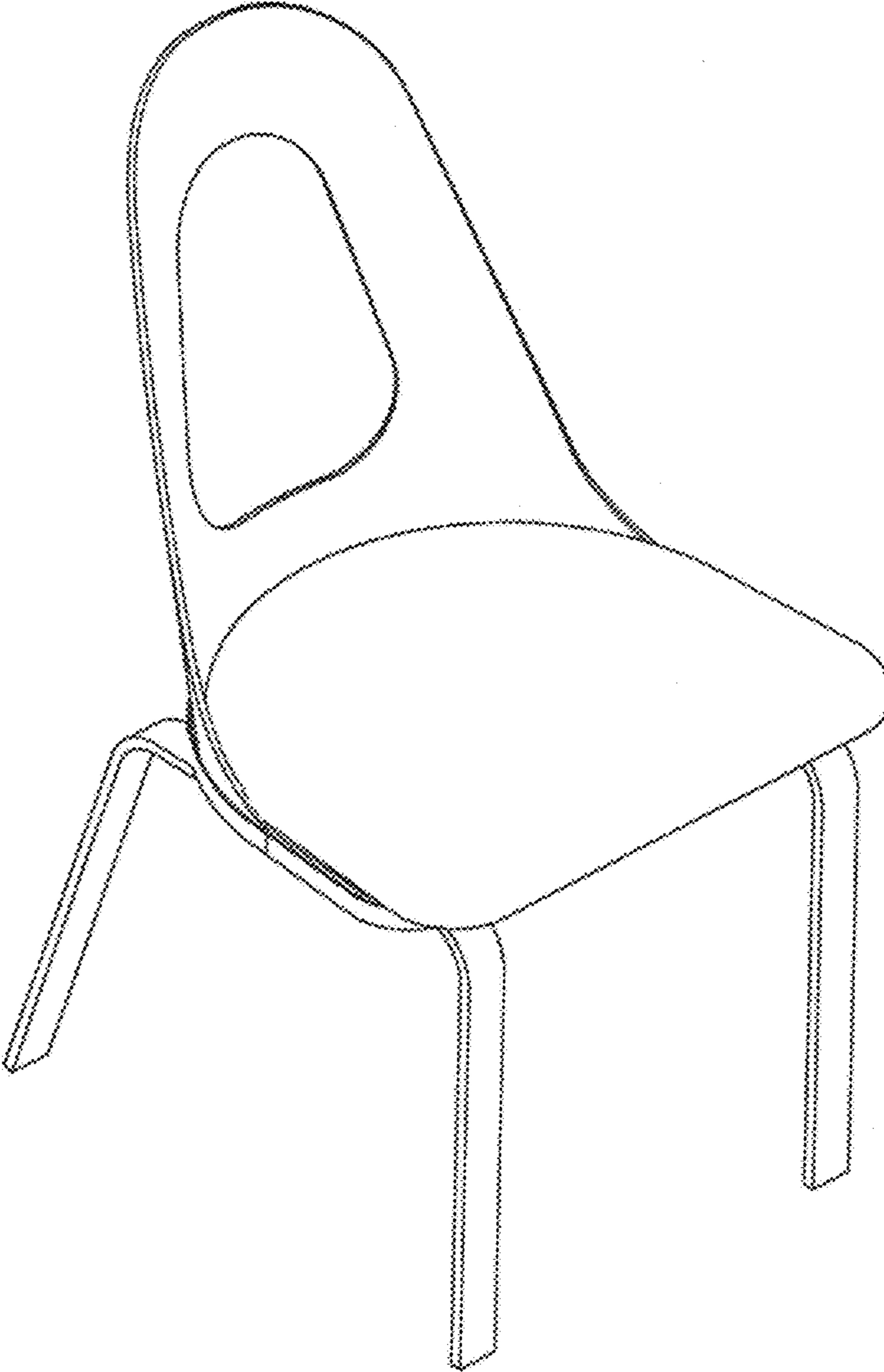


Fig. 1

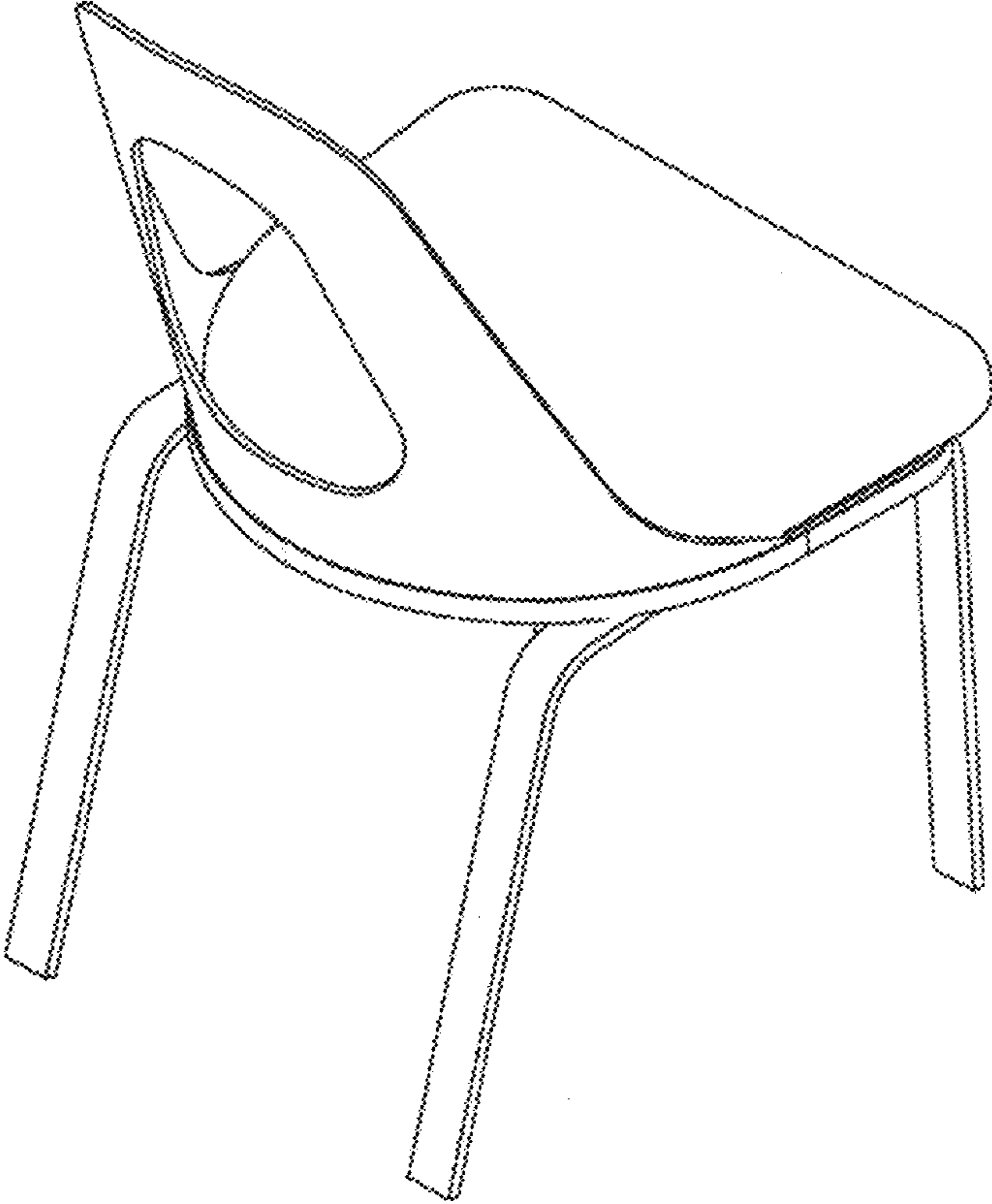


Fig. 2

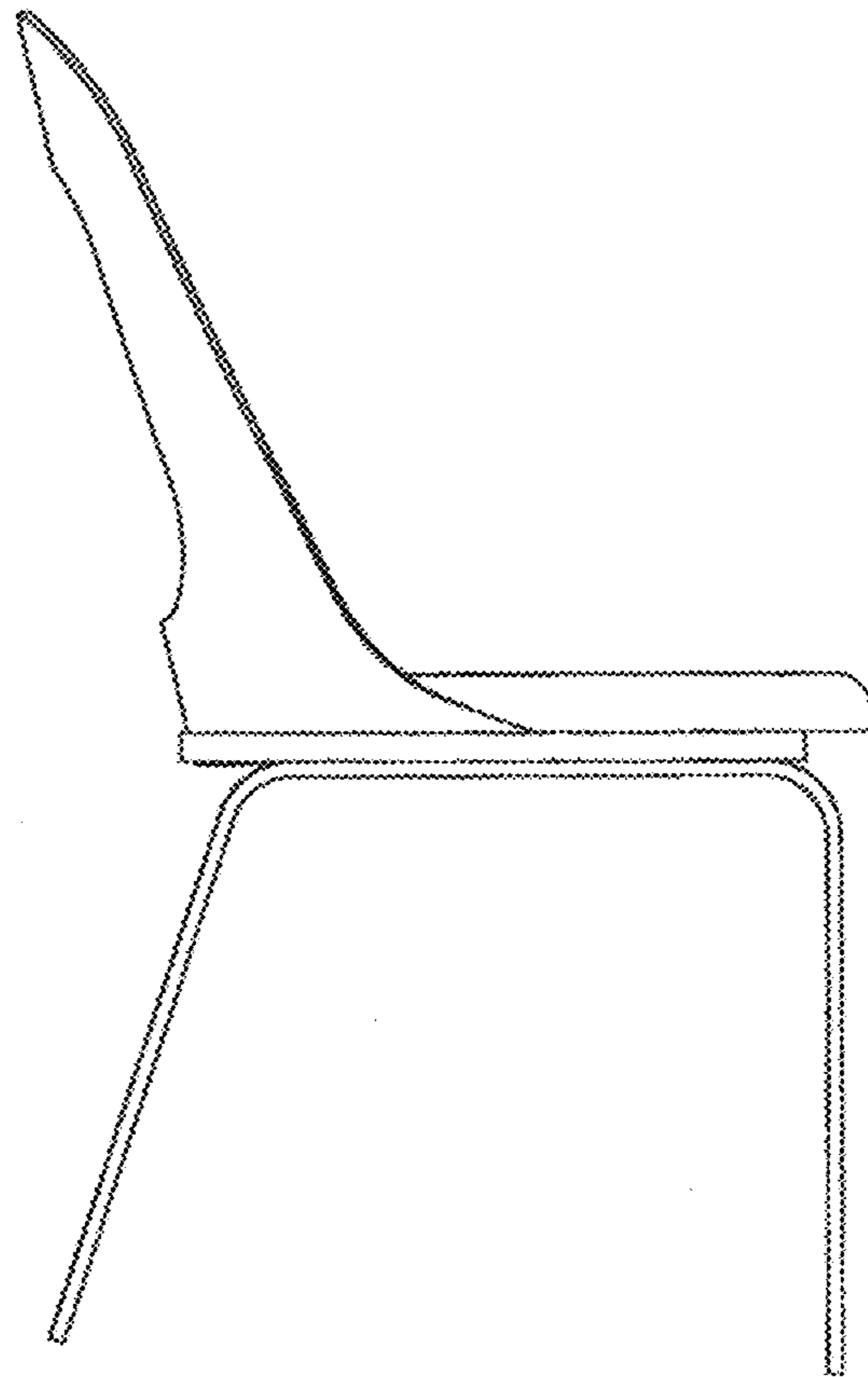


Fig. 3

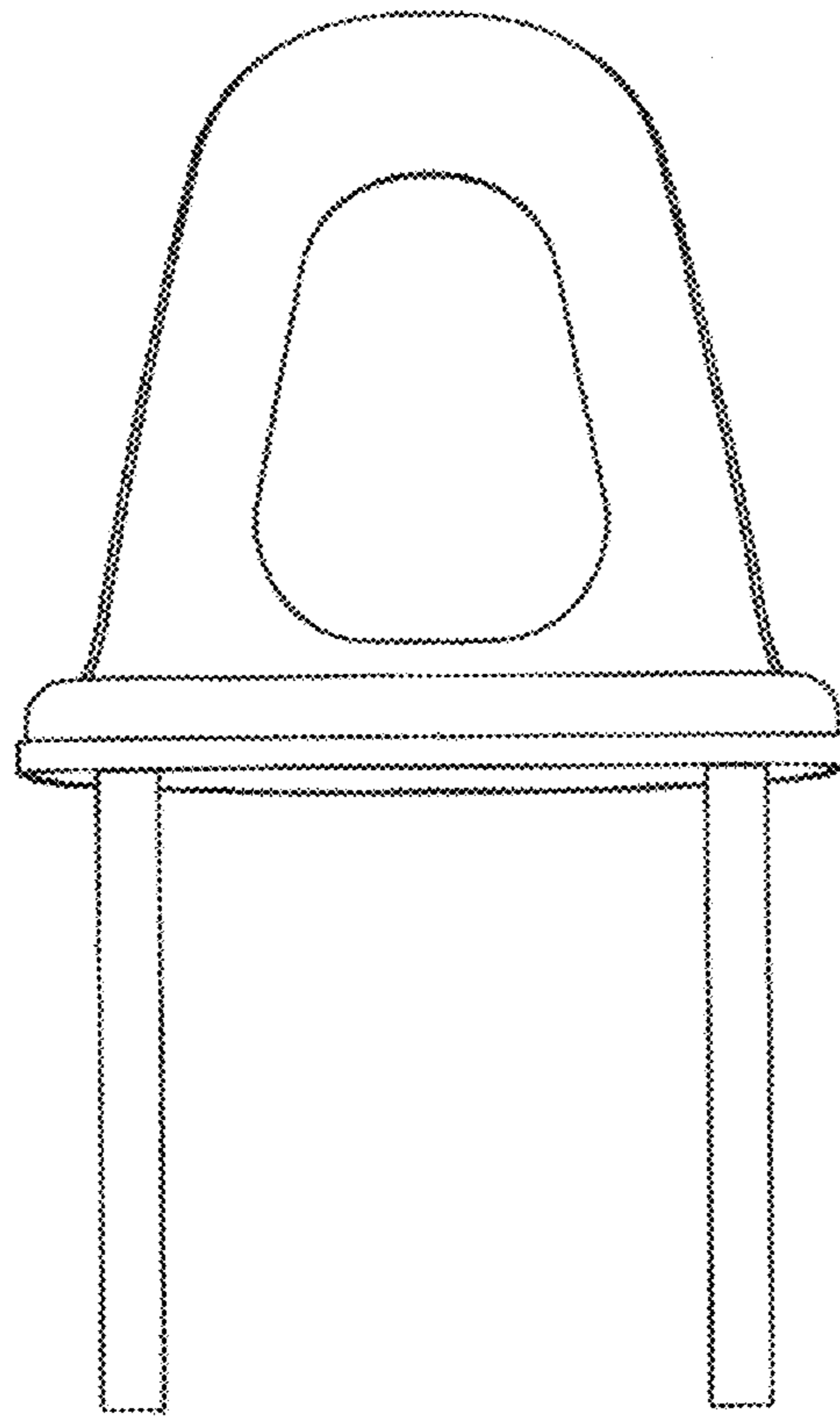


Fig. 4

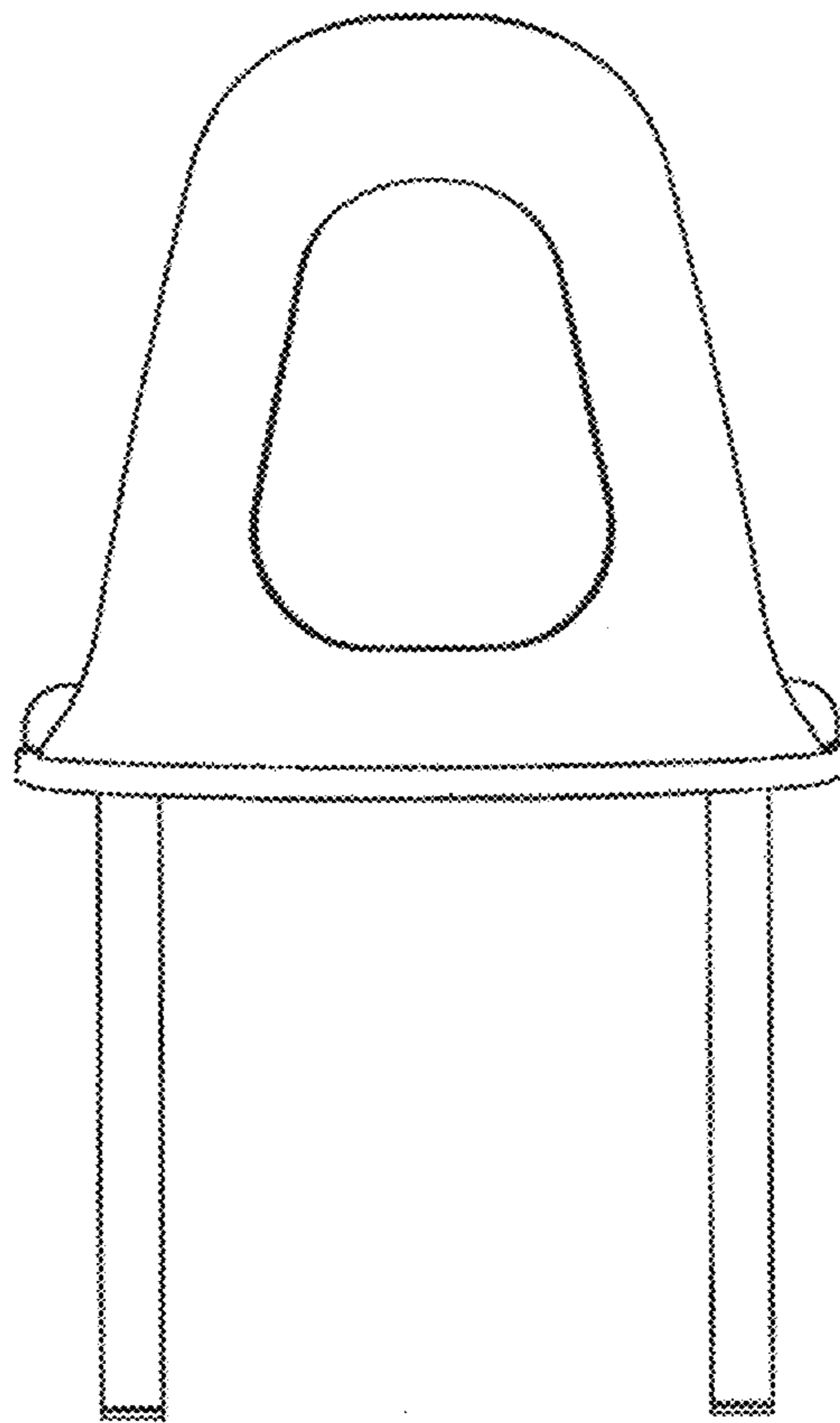


Fig. 5

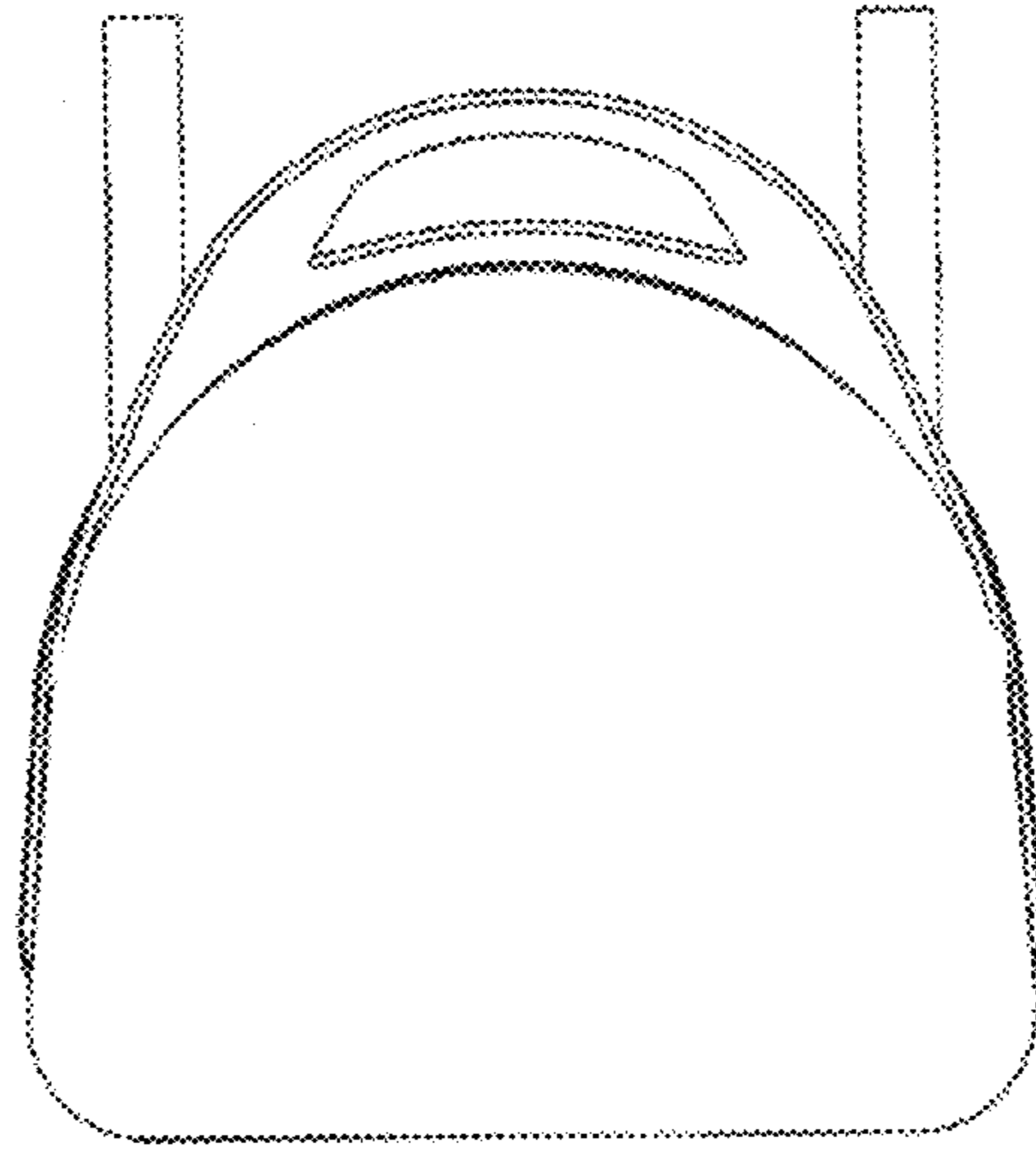


Fig. 6

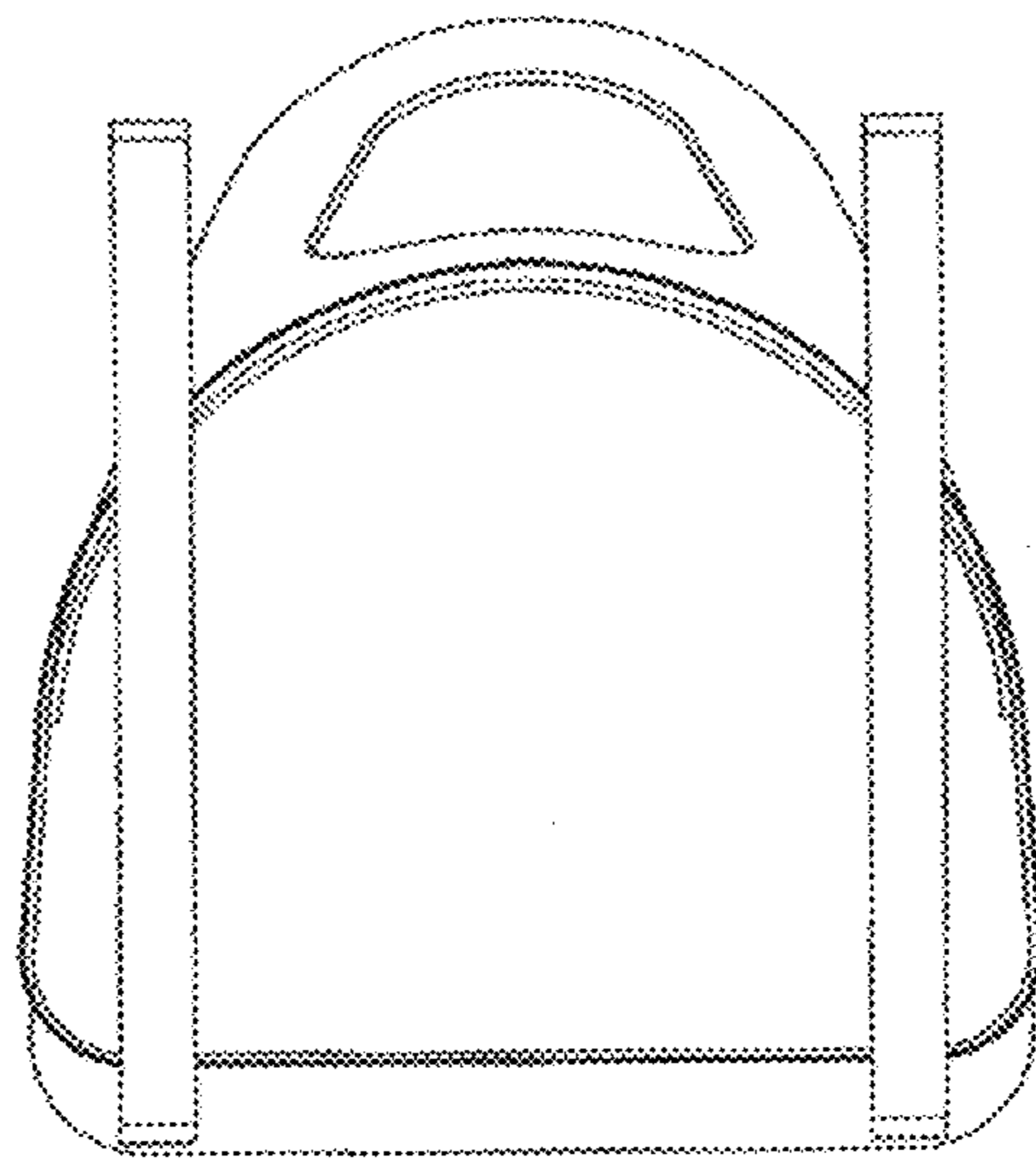


Fig. 7