



US00D752893S

(12) **United States Design Patent**  
**Behar et al.**

(10) **Patent No.:** **US D752,893 S**  
(45) **Date of Patent:** **\*\* Apr. 5, 2016**

(54) **CHAIR**

(71) Applicant: **Herman Miller, Inc.**, Zeeland, MI (US)

(72) Inventors: **Yves Behar**, San Francisco, CA (US);  
**Qin Li**, South San Francisco, CA (US);  
**Naoya Edahiro**, San Francisco, CA (US);  
**Noah Murphy-Reinhertz**, San Francisco, CA (US);  
**Diana Chang**, San Francisco, CA (US);  
**Matthew Malone**, San Francisco, CA (US);  
**Casey Doran Lewis**, Highland, UT (US)

(73) Assignee: **Herman Miller, Inc.**, Zeeland, MI (US)

(\*\*) Term: **15 Years**

(21) Appl. No.: **29/542,339**

(22) Filed: **Oct. 13, 2015**

**Related U.S. Application Data**

(62) Division of application No. 29/450,168, filed on Mar. 15, 2013, now Pat. No. Des. 743,712.

(51) **LOC (10) Cl.** ..... **06-01**

(52) **U.S. Cl.**  
USPC ..... **D6/378**

(58) **Field of Classification Search**  
USPC ..... D6/334–336, 364, 371, 373, 374, 378,  
D6/381, 716, 716.1, 716.2, 716.3, 716.4  
CPC ..... A47C 7/18; A47C 7/24; A47C 7/021;  
A47C 5/06; A47C 15/002  
See application file for complete search history.

(56) **References Cited**

**U.S. PATENT DOCUMENTS**

599,430 A 2/1898 Thom  
879,803 A 2/1908 Vlasak

(Continued)

**FOREIGN PATENT DOCUMENTS**

EP 1366951 A2 12/2003  
EP 1075810 A1 10/2005  
WO 2009052656 A1 4/2009

**OTHER PUBLICATIONS**

“Architecture and Interior Exterior Design, Bathroom, Kitchen, Bedroom, Living Room, Lighting, Furniture etc.,” www.panguripans.com, Jan. 2011, retrieved May 9, 2012 (5 pages).

(Continued)

*Primary Examiner* — Mimosa De

(74) *Attorney, Agent, or Firm* — Michael Best & Friedrich LLP

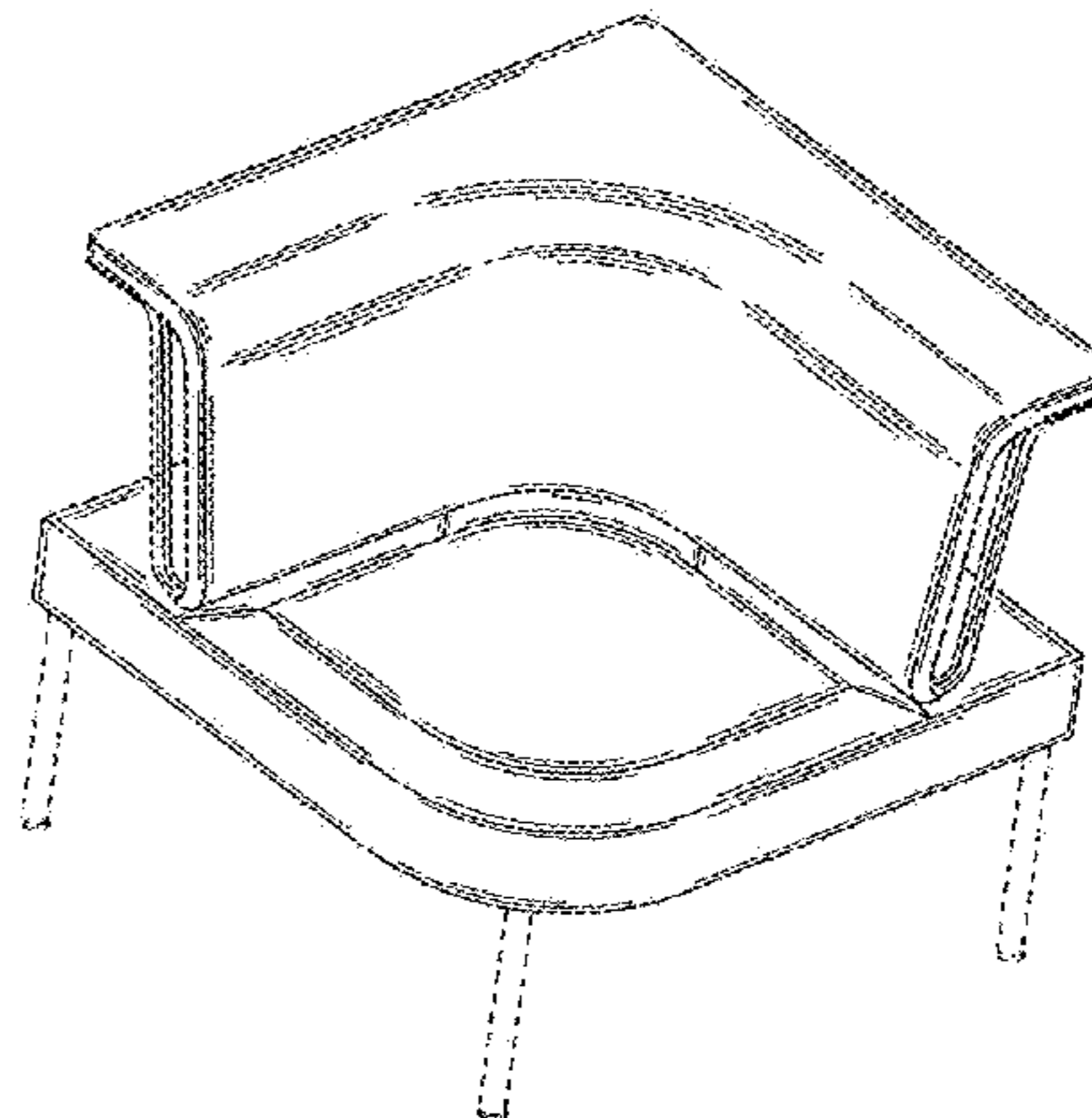
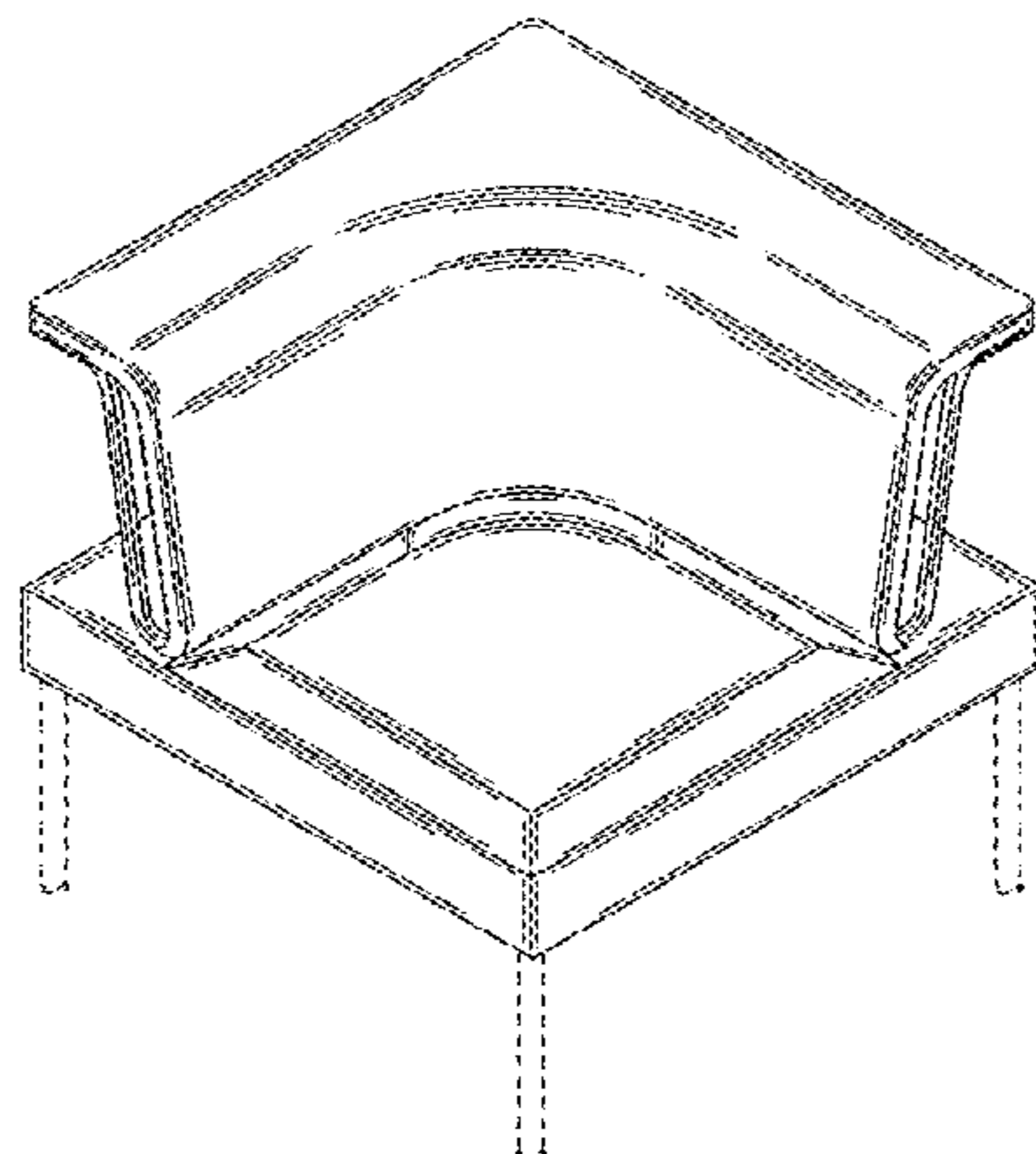
(57) **CLAIM**

We claim the ornamental design for the chair, as shown and described.

**DESCRIPTION**

FIG. 1 shows a perspective view of a chair;  
FIG. 2 shows a right side view of the chair of FIG. 1;  
FIG. 3 shows a left side view of the chair of FIG. 1;  
FIG. 4 shows a front view of the chair of FIG. 1;  
FIG. 5 shows a rear view of the chair of FIG. 1;  
FIG. 6 shows a top view of the chair of FIG. 1;  
FIG. 7 shows a bottom view of the chair of FIG. 1;  
FIG. 8 shows a perspective view of another chair;  
FIG. 9 shows a right side view of the chair of FIG. 8;  
FIG. 10 shows a left side view of the chair of FIG. 8;  
FIG. 11 shows a front view of the chair of FIG. 8;  
FIG. 12 shows a rear view of the chair of FIG. 8;  
FIG. 13 shows a top view of the chair of FIG. 8; and,  
FIG. 14 shows a bottom view of the chair of FIG. 8.  
Any broken lines in FIGS. 1-14 are for environmental purposes only and form no part of the claimed designs. The ornamental designs which are claimed are shown in solid lines in the drawings. For the bottom views of the chairs of FIGS. 7 and 14 for those areas devoid of shading or phantom lines they are flat and devoid of ornamentation.

**1 Claim, 14 Drawing Sheets**





(56)

References Cited

U.S. PATENT DOCUMENTS

1,231,303 A	6/1917	Seligman	6,145,448 A	11/2000	Marschand et al.
1,325,630 A	12/1919	Fair	6,152,527 A	11/2000	McDowell et al.
1,329,988 A	2/1920	Montgomery	6,170,909 B1	1/2001	Inoue
1,333,554 A	3/1920	Melcher	6,189,268 B1	2/2001	Carr et al.
1,533,219 A	4/1925	Sugerman	6,220,186 B1	4/2001	Scharer et al.
1,649,013 A	11/1927	Bell	6,331,033 B2	12/2001	Lau
1,984,207 A	12/1934	Abraham	D454,441 S *	3/2002	Bermudez ..... D6/335
2,136,407 A	11/1938	Armour	6,450,571 B1	9/2002	Canni et al.
2,184,047 A	12/1939	King	6,581,344 B1	6/2003	Niewiadomski et al.
D130,795 S	12/1941	Eppenstein	6,594,833 B2	7/2003	Timoshenko
2,294,039 A	8/1942	Looney	6,629,836 B2	10/2003	Campbell
2,383,125 A	8/1945	Hill	6,681,529 B1	1/2004	Baloga et al.
2,429,050 A	10/1947	Decker	6,702,389 B2	3/2004	Hall, Jr. et al.
D148,511 S	1/1948	Young	6,726,276 B1	4/2004	Tholkes et al.
D162,426 S	3/1951	Michelson	6,739,096 B2	5/2004	Feldpausch et al.
D162,427 S	3/1951	Michelson	6,779,846 B2	8/2004	Spendlove et al.
2,759,529 A	8/1956	Hagadorn	6,854,805 B2	2/2005	Fujita et al.
2,767,771 A	10/1956	Walker	6,880,886 B2	4/2005	Bodnar et al.
2,893,476 A	7/1959	Liljengren	6,899,398 B2	5/2005	Coffield
2,951,531 A	9/1960	Merle	6,922,949 B2	8/2005	Cornell et al.
3,028,607 A	4/1962	Anderson	6,932,430 B2	8/2005	Bedford et al.
3,058,123 A	10/1962	Pink et al.	6,942,300 B2	9/2005	Numa et al.
3,110,911 A	11/1963	Osborne et al.	6,957,863 B2	10/2005	Heidmann et al.
3,228,041 A	1/1966	Osborne	6,966,606 B2	11/2005	Coffield
3,254,931 A	6/1966	Jacobi	6,991,291 B2	1/2006	Knoblock et al.
3,275,374 A	9/1966	Holzner et al.	7,020,911 B2	4/2006	Oldham
3,615,118 A	10/1971	Buxton	7,029,071 B2	4/2006	Watson et al.
3,708,367 A	1/1973	Grant et al.	7,048,335 B2	5/2006	Norman et al.
D235,179 S	5/1975	Bernard	7,055,911 B2	6/2006	Simpson et al.
3,890,658 A	6/1975	Petersilie	D525,448 S	7/2006	Thom et al.
3,990,741 A	11/1976	Snyder et al.	7,096,549 B2	8/2006	Coffield
4,032,188 A	6/1977	Jones	7,097,247 B2	8/2006	Batthey et al.
D245,950 S	10/1977	Mathur	7,131,699 B2	11/2006	Mulmed
D247,009 S	1/1978	Schoblom	7,131,700 B2	11/2006	Knoblock et al.
4,077,666 A	3/1978	Heumann	7,165,811 B2	1/2007	Bodnar et al.
4,085,970 A	4/1978	Klein	7,181,783 B2	2/2007	O'Reilly
4,114,949 A	9/1978	Benoit	7,207,625 B1	4/2007	Hardt, II et al.
D251,940 S	5/1979	Spound	7,226,130 B2	6/2007	Tubergen et al.
D259,600 S	6/1981	Marks	7,234,774 B2	6/2007	Heidmann et al.
D259,605 S	6/1981	Marks	7,264,311 B2	9/2007	Heidmann
D262,421 S	12/1981	Aronowitz	7,281,762 B1	10/2007	Getfield et al.
4,305,616 A	12/1981	Martinez et al.	7,334,845 B2	2/2008	Peterson et al.
D268,970 S	5/1983	Mascheroni	7,347,493 B2	3/2008	Mulmed
4,433,884 A	2/1984	Edwards et al.	7,360,835 B2	4/2008	Tubergen et al.
D280,153 S *	8/1985	Hopfer ..... D6/378	D572,933 S	7/2008	van Ierssel
4,647,109 A	3/1987	Christophersen et al.	7,396,079 B2	7/2008	Heidmann et al.
4,662,679 A	5/1987	Franck et al.	7,419,214 B2	9/2008	Plant
D298,784 S	12/1988	Friedman	7,523,989 B2	4/2009	Wieland et al.
4,796,954 A	1/1989	Saito	7,568,763 B2	8/2009	Bedford et al.
4,835,029 A	5/1989	Thebaud et al.	7,575,283 B2	8/2009	Crowe
4,925,256 A	5/1990	Vargas et al.	7,611,183 B2	11/2009	Burkey et al.
D311,283 S	10/1990	Warren	7,647,714 B2	1/2010	Coffield et al.
4,978,157 A	12/1990	Murakami	7,707,790 B2	5/2010	Williams et al.
5,038,421 A	8/1991	Harris	7,806,474 B2	10/2010	Wahl et al.
5,083,838 A	1/1992	Maxwell	D627,576 S	11/2010	Joly
5,253,595 A	10/1993	Heidmann	7,841,667 B2	11/2010	Mossbeck
5,292,109 A	3/1994	Bebber et al.	D646,907 S	10/2011	Joly
5,342,109 A	8/1994	Berry et al.	8,029,060 B2	10/2011	Parker et al.
5,470,128 A	11/1995	Kerkham	8,075,054 B2	12/2011	Smith
D369,495 S	5/1996	Mourgue	8,104,850 B2	1/2012	Hager et al.
5,632,473 A	5/1997	Dias Magalhaes Queiroz	8,128,175 B2	3/2012	Groelsma et al.
D381,526 S	7/1997	Kane	8,167,367 B1	5/2012	Martinez
5,692,335 A	12/1997	Magnuson	8,185,985 B2	5/2012	Coffield et al.
5,713,633 A	2/1998	Lu	D669,702 S *	10/2012	Barefoot ..... D6/378
5,754,995 A	5/1998	Behrendt	D698,173 S	1/2014	Caldwell
5,857,226 A	1/1999	Sommer	D704,469 S	5/2014	Gaschy et al.
5,890,325 A	4/1999	Corcorran et al.	D708,451 S	7/2014	Gashcy et al.
5,899,025 A	5/1999	Casey et al.	D725,398 S	3/2015	Lee
5,906,420 A	5/1999	Rozier et al.	D743,712 S *	11/2015	Behar ..... D6/378
5,970,662 A	10/1999	Corcorran et al.	2003/0001424 A1	1/2003	Mundell et al.
6,050,638 A	4/2000	West	2005/0046243 A1	3/2005	Cimino et al.
6,059,358 A	5/2000	Demick et al.	2005/0140184 A1	6/2005	Williams et al.
6,067,762 A	5/2000	Greer et al.	2007/0040434 A1	2/2007	Plant
6,128,873 A	10/2000	Shipman et al.			
6,135,548 A	10/2000	McGuire			

(56)

**References Cited**

**OTHER PUBLICATIONS**

U.S. PATENT DOCUMENTS

2007/0138848 A1 6/2007 Schurg et al.  
2007/0283631 A1 12/2007 Grandin et al.  
2009/0091170 A1 4/2009 Grentzelius et al.  
2010/0196088 A1 8/2010 Johnsson  
2011/0181085 A1 7/2011 Pfeifer et al.  
2011/0233976 A1 9/2011 Hanson et al.  
2012/0019035 A1 1/2012 Uhlenbrock  
2012/0112500 A1 5/2012 Rundle et al.  
2012/0187737 A1 7/2012 Blair

Smart Desks, "Exchange Collaboration Furniture, Furniture for Collaborative Learning," ©1997-2012, www.smartdesks.com, retrieved May 9, 2012 (10 pages).

The Design Home, "Plot by Osko+Deichmann for Brunner," www.thedesignhome.com, Apr. 2012, retrieved May 9, 2012 (4 pages).

\* cited by examiner

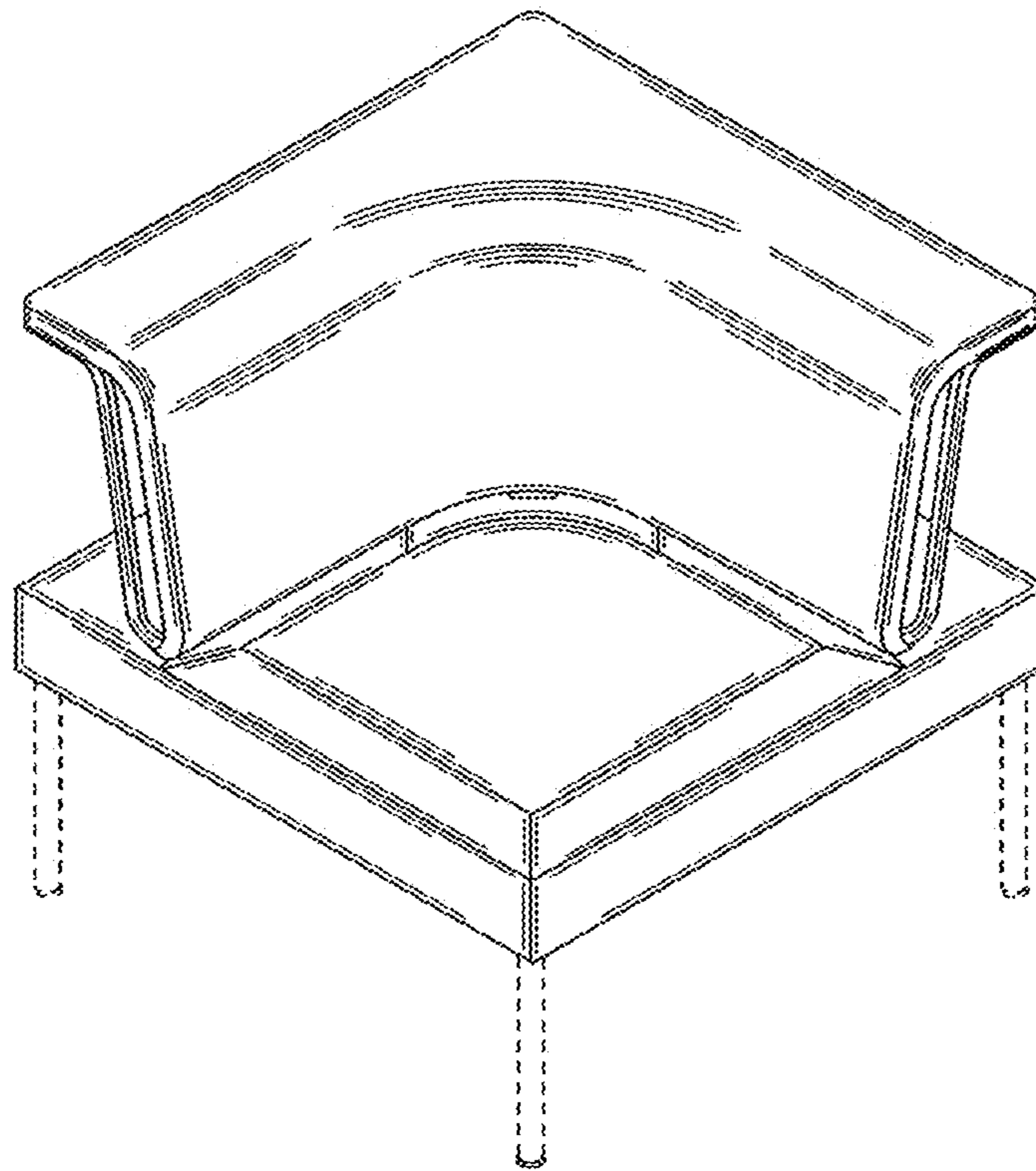


FIG. 1

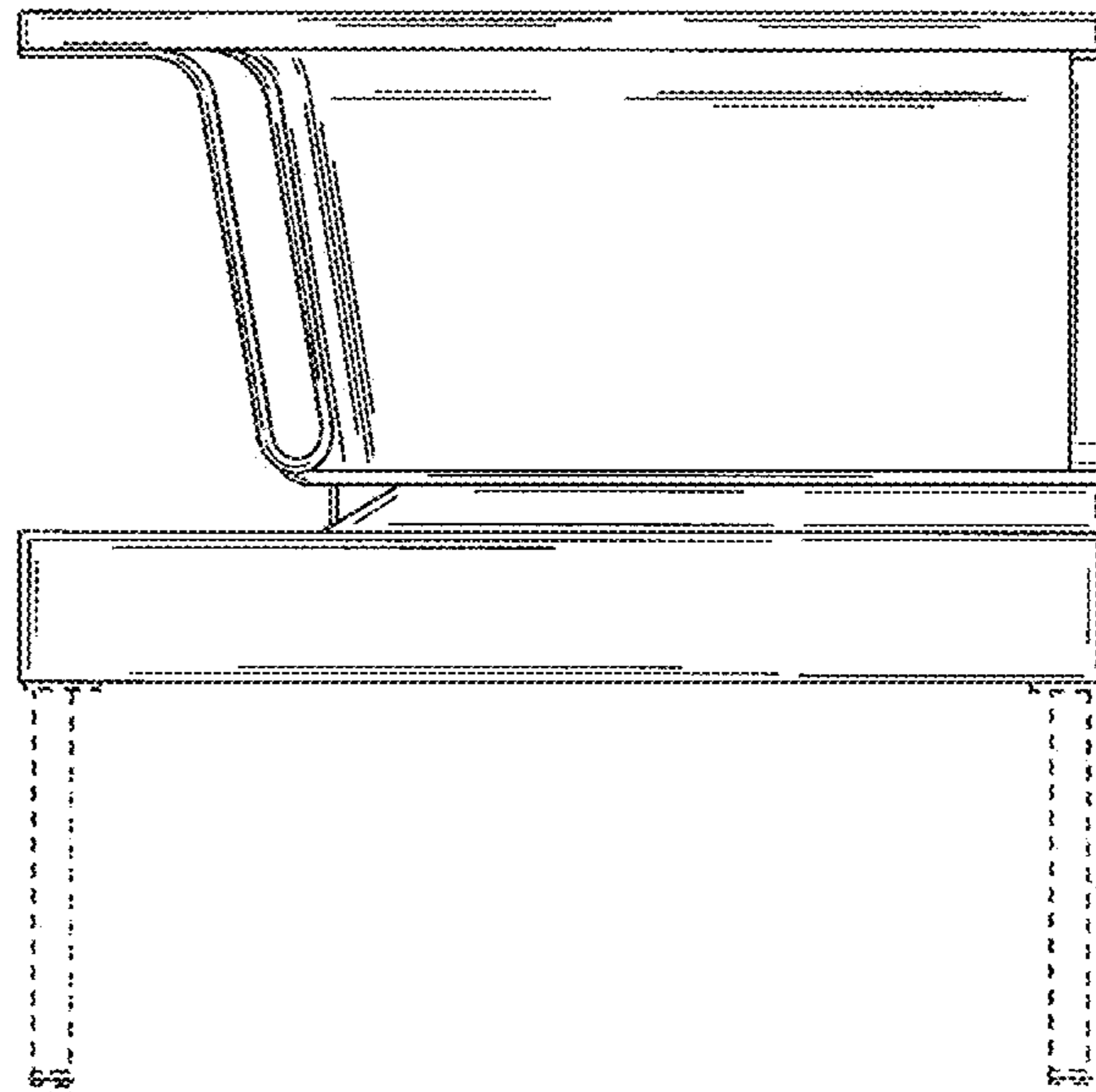


FIG. 2

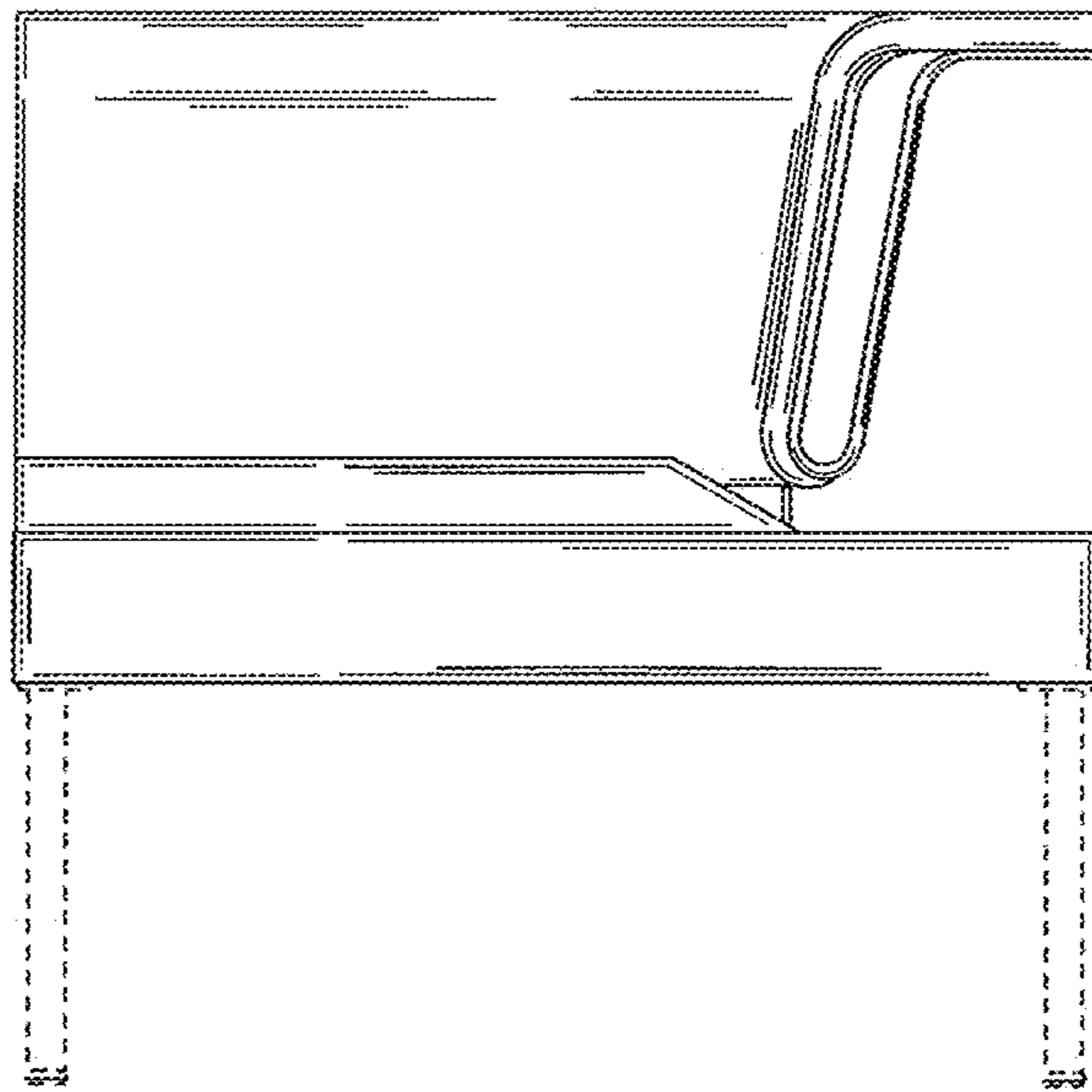


FIG. 3



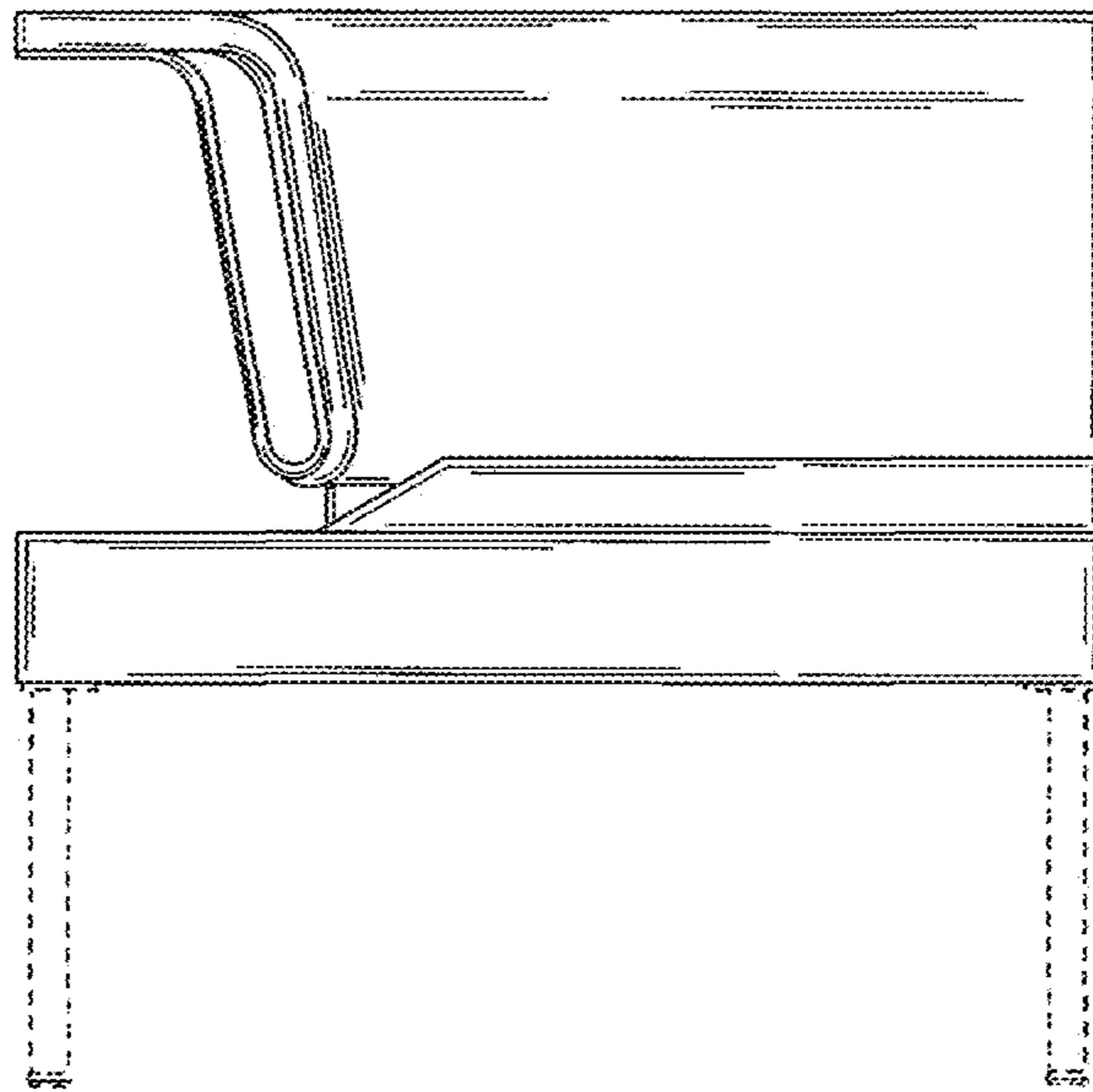


FIG. 4

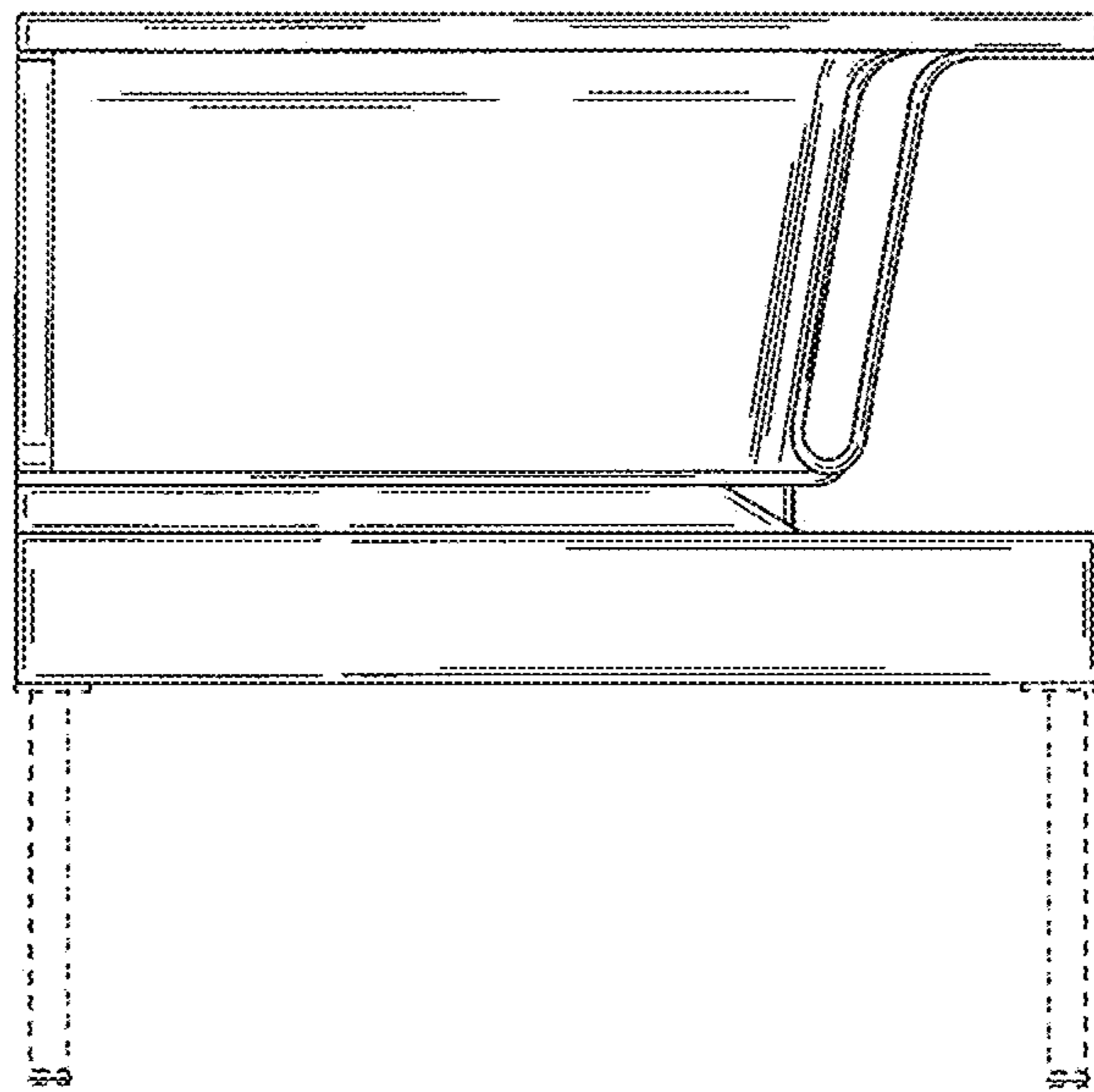


FIG. 5



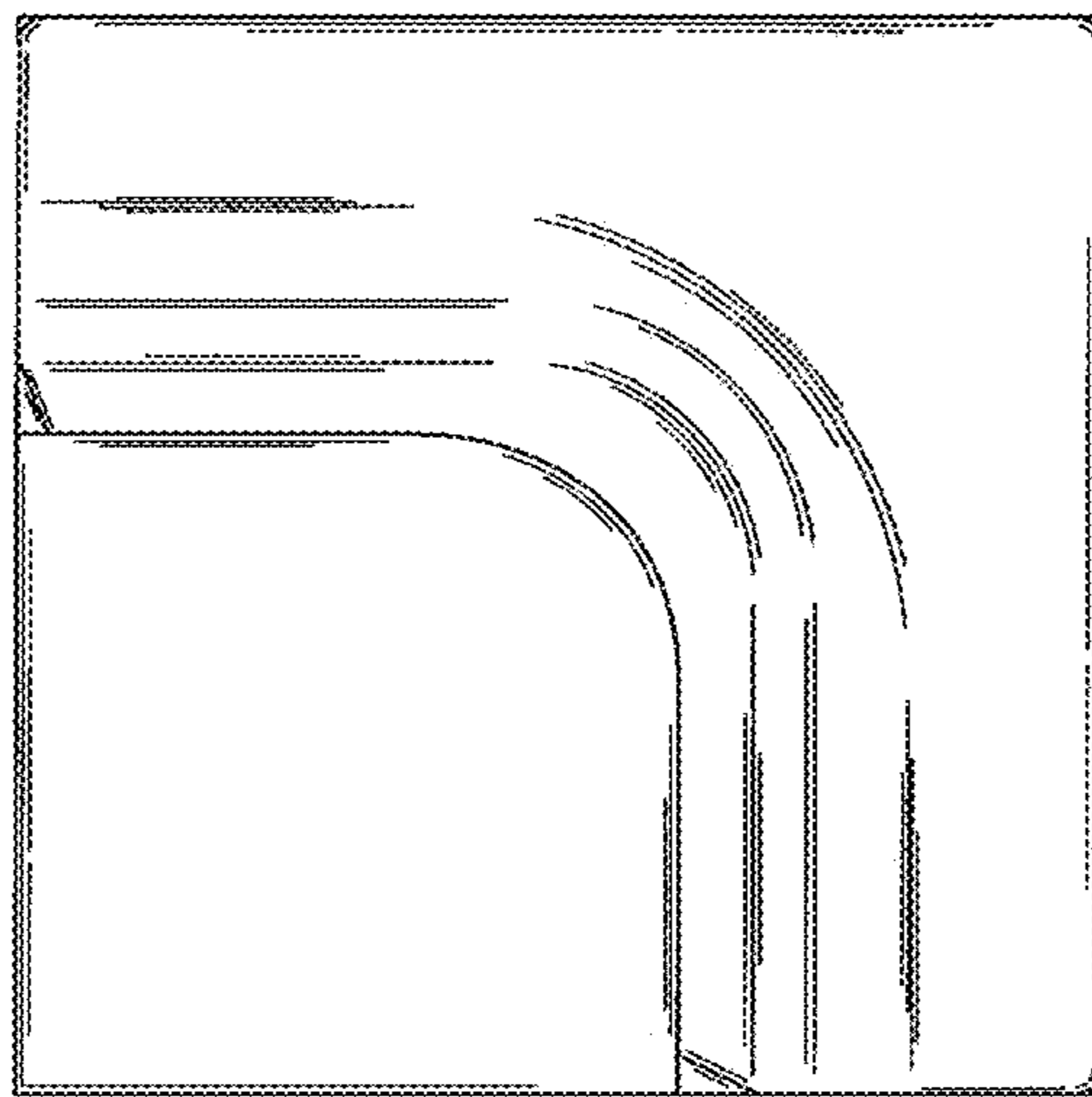


FIG. 6

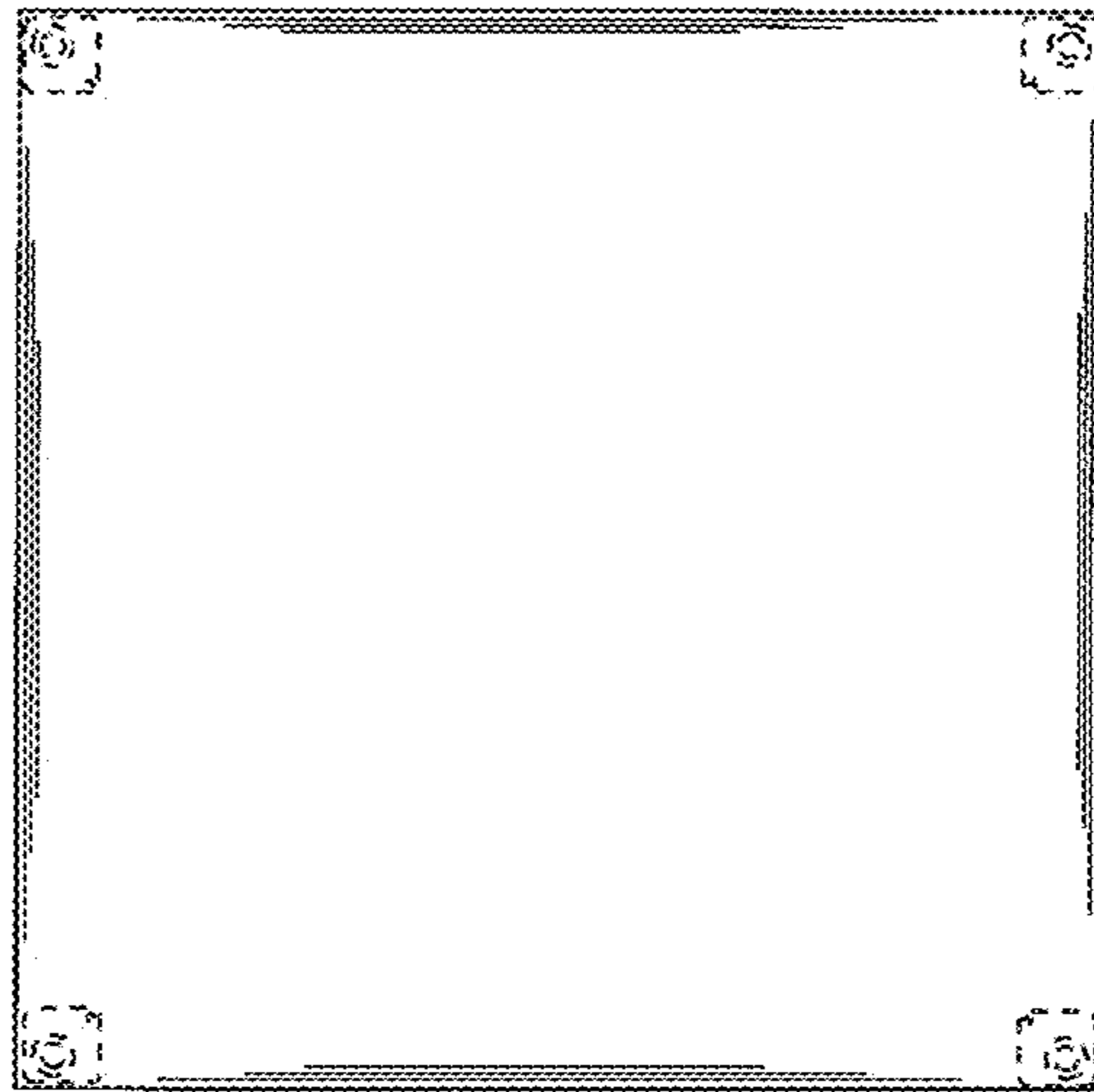


FIG. 7

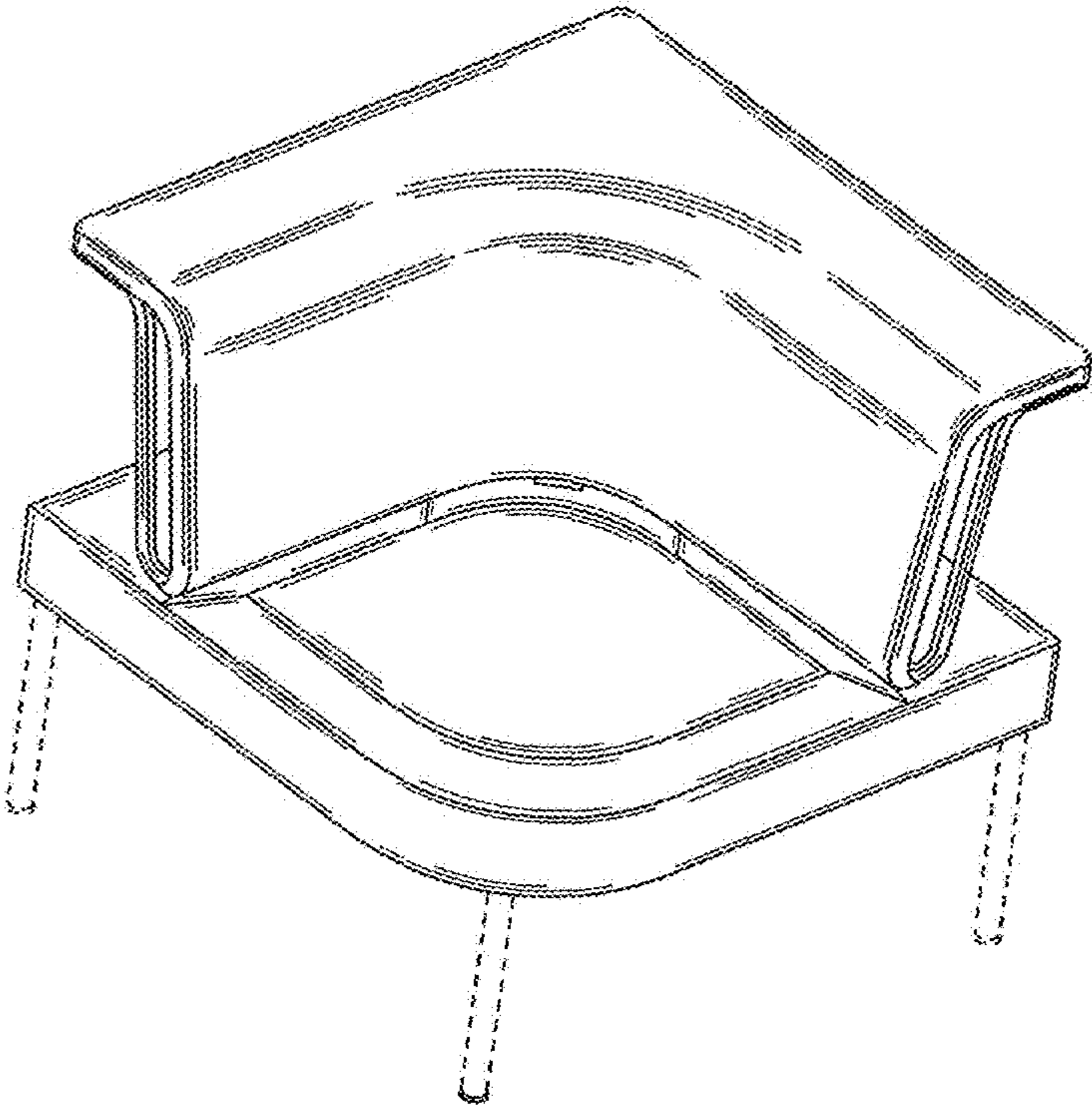


FIG. 8

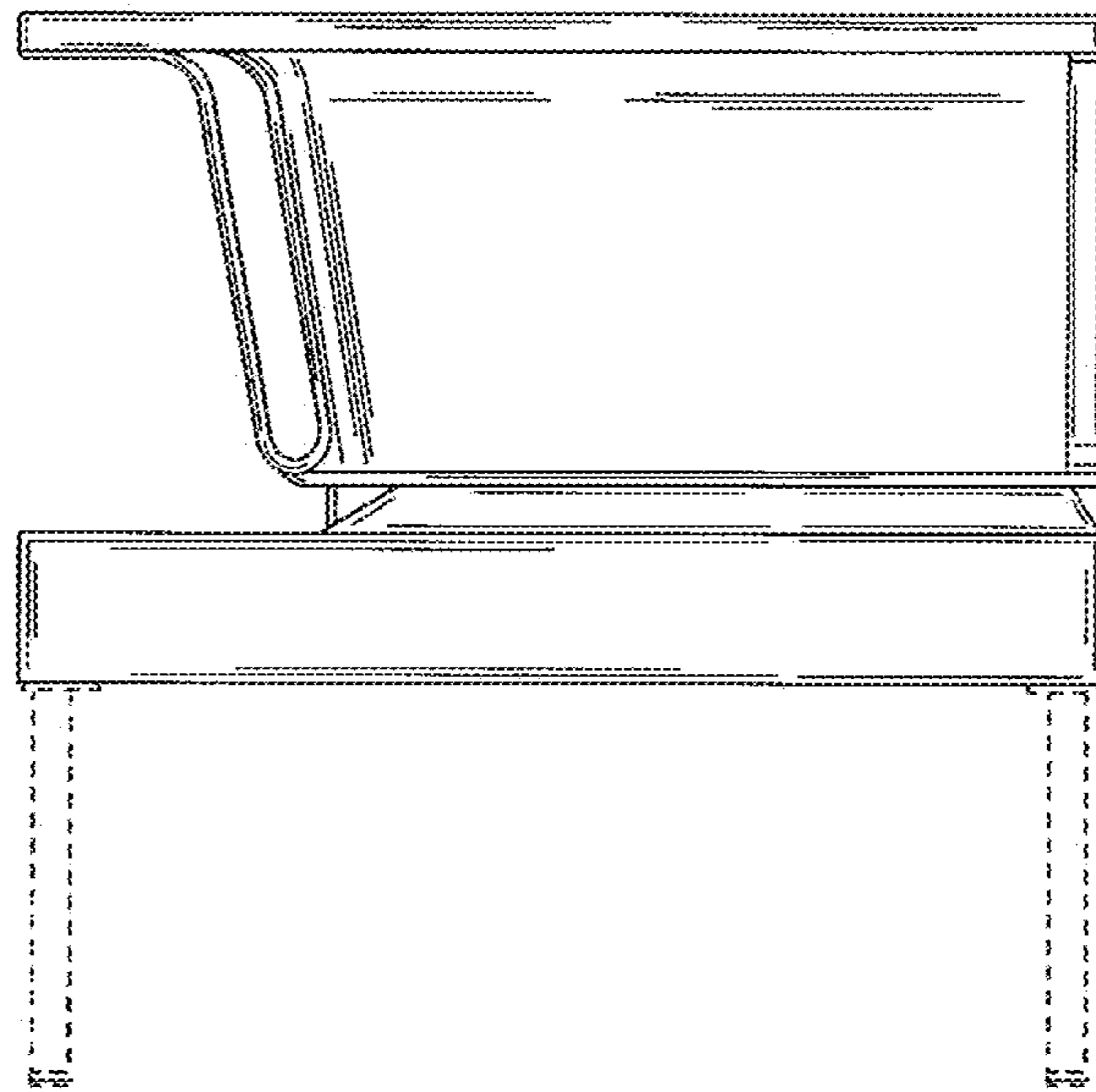


FIG. 9

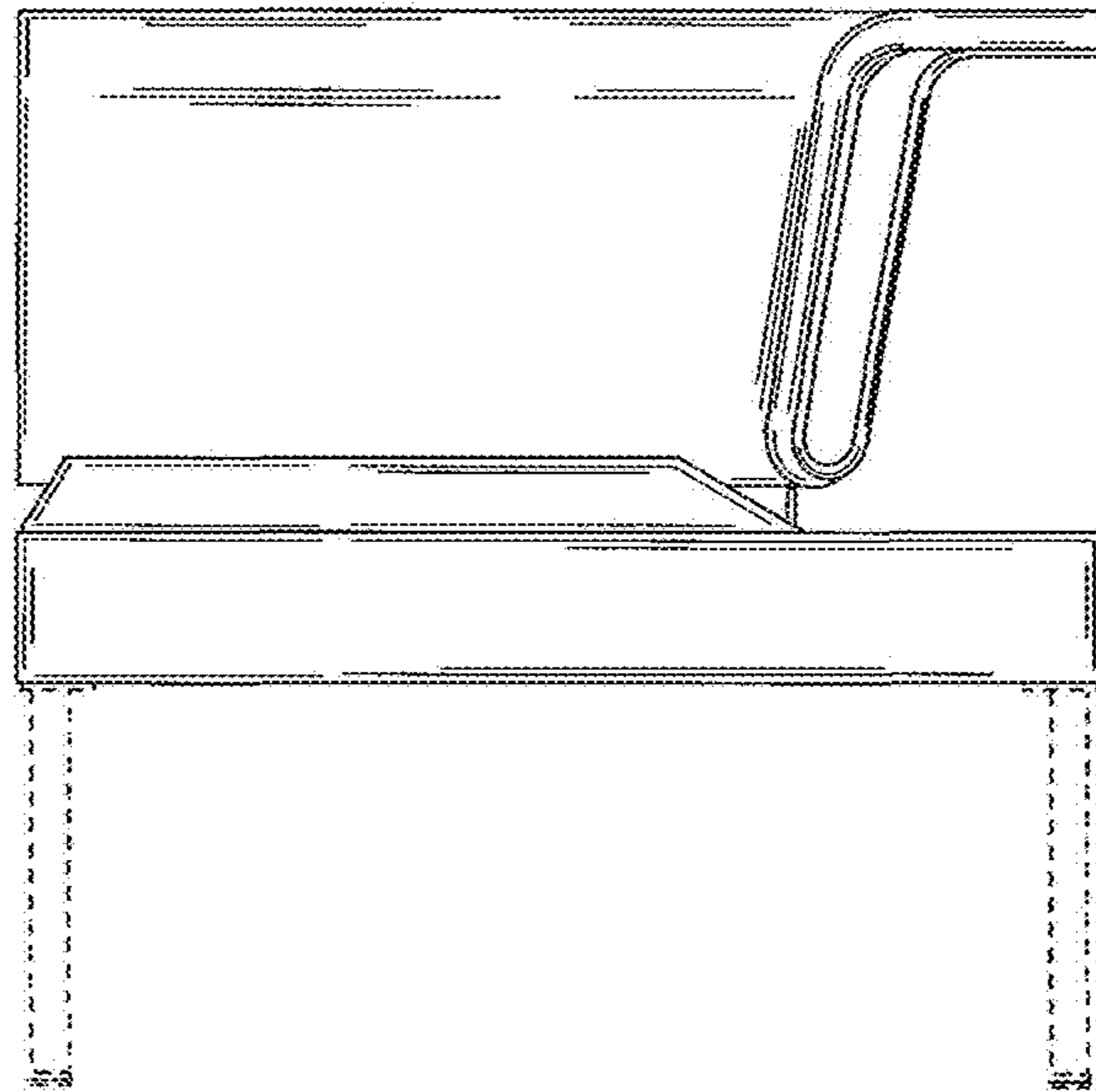


FIG. 10



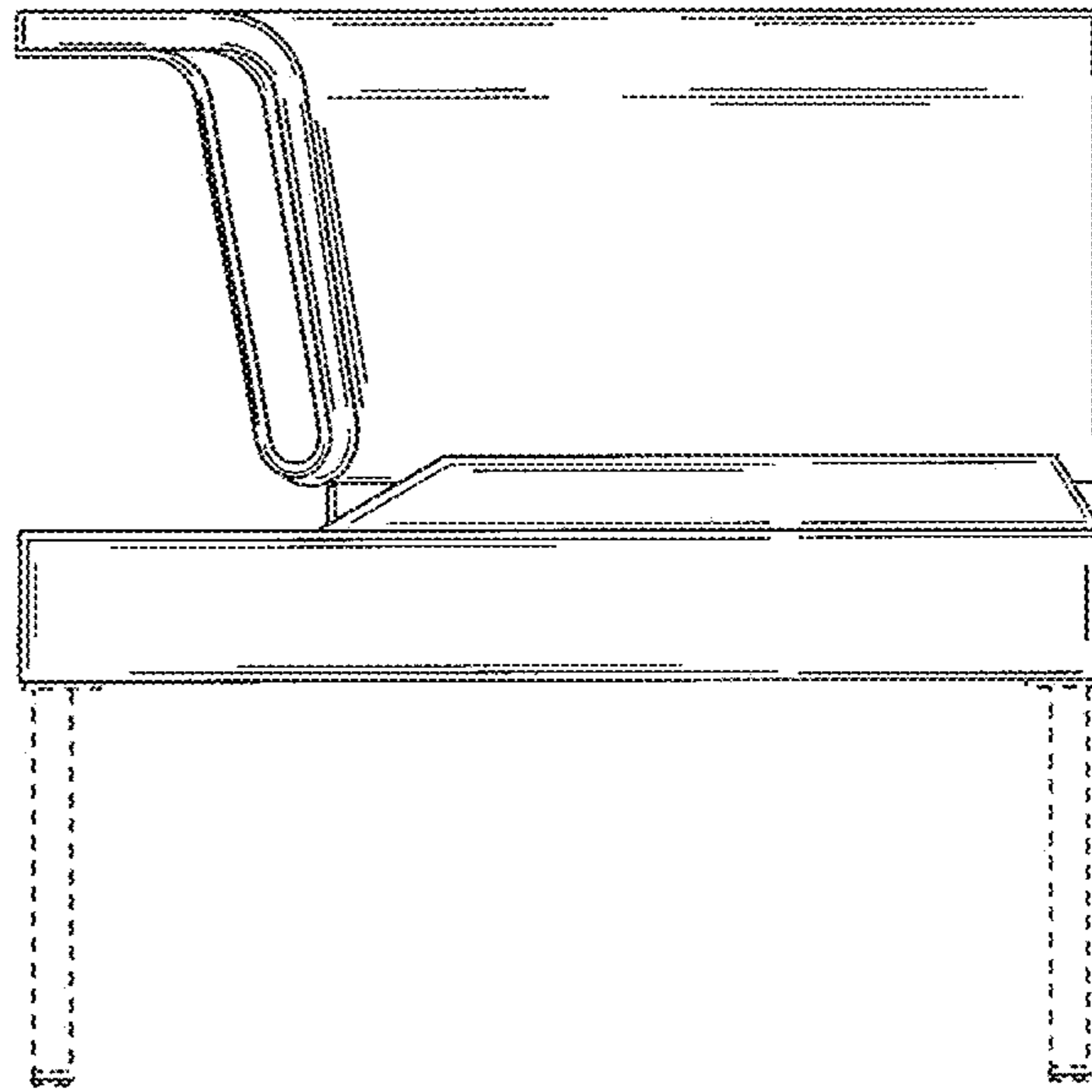


FIG. 11

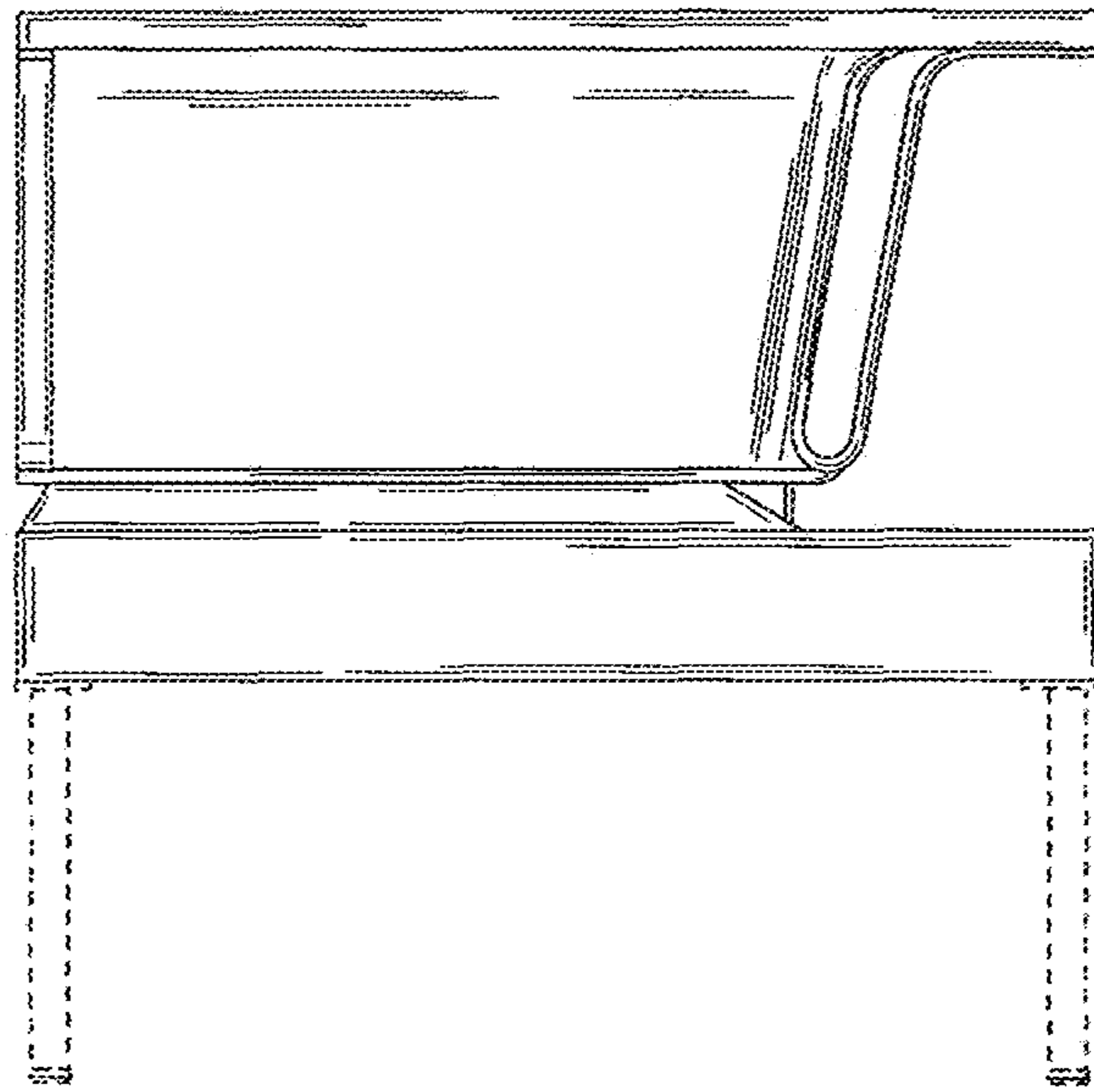


FIG. 12

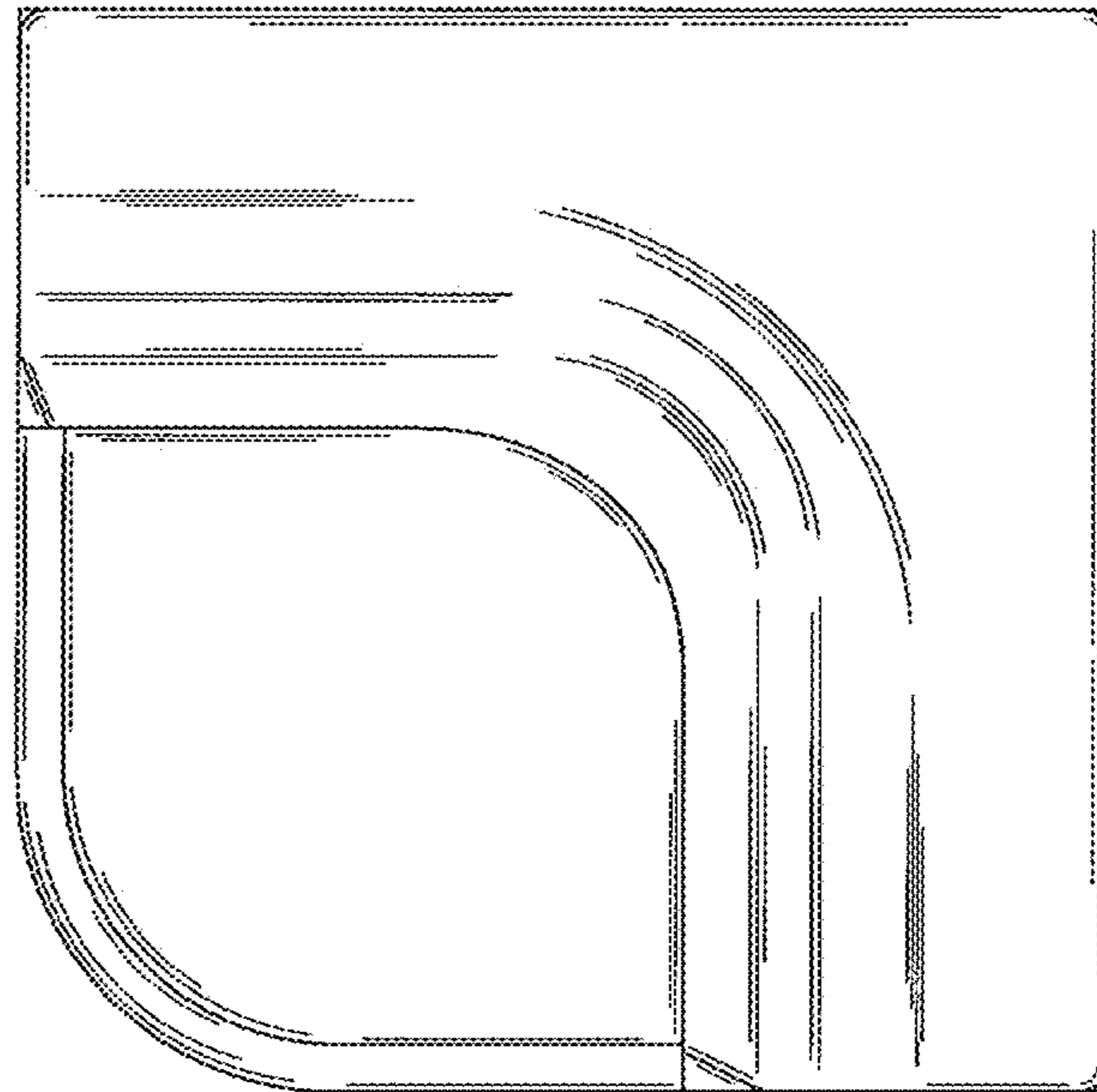


FIG. 13

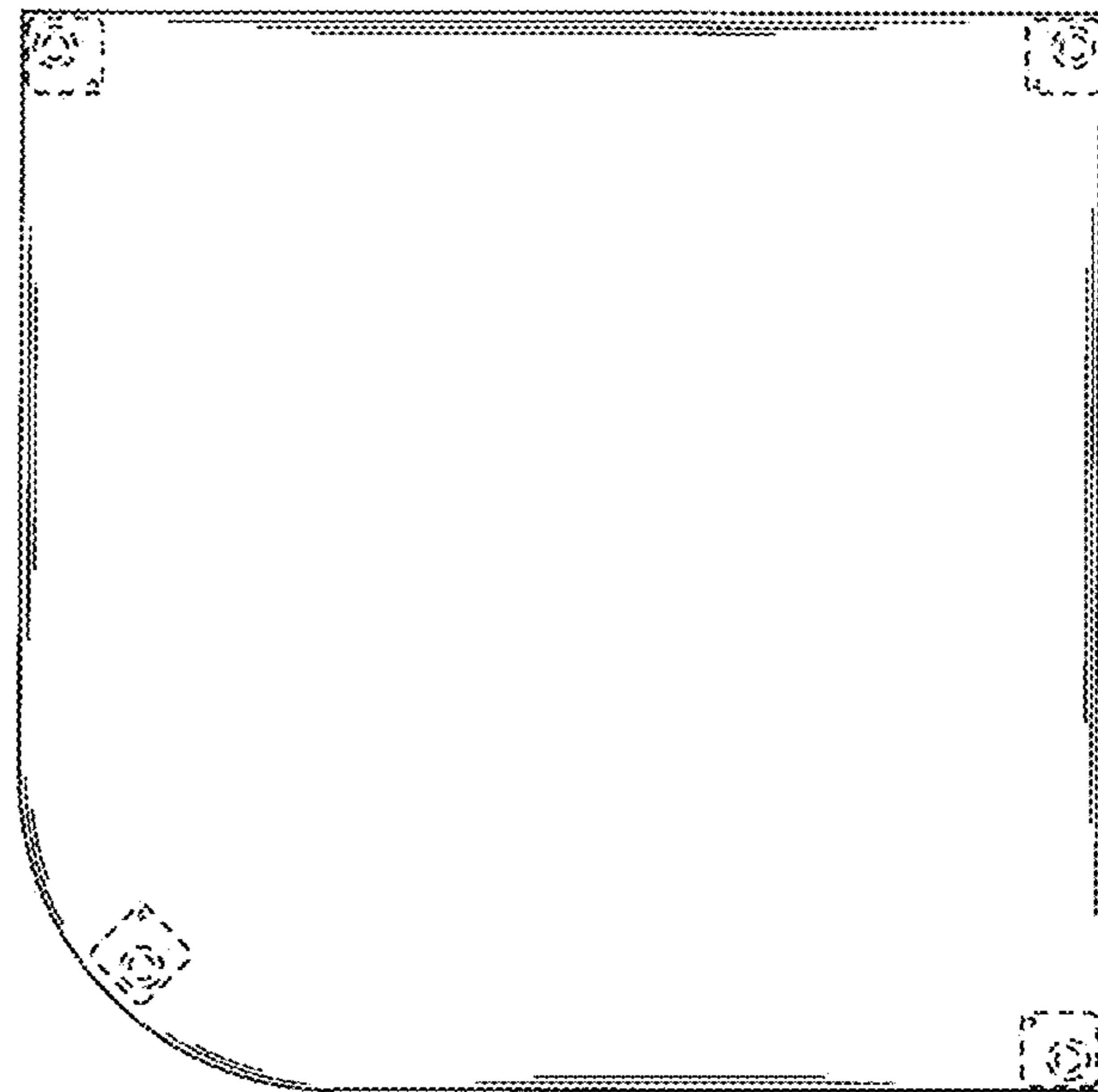


FIG. 14