



US00D752890S

(12) **United States Design Patent**
Akkad

(10) **Patent No.:** **US D752,890 S**
(45) **Date of Patent:** **** Apr. 5, 2016**

(54) **FOLDABLE CLUB CHAIR**
(71) Applicant: **Idea Nuova, Inc.**, New York, NY (US)
(72) Inventor: **Benjamin S. Akkad**, New York, NY (US)

2,587,543 A 2/1952 Smith
2,590,049 A 3/1952 Sidlinger
D168,212 S 11/1952 Cicchelli
D168,843 S 2/1953 Johnson
D168,993 S 3/1953 Gould
D169,338 S 4/1953 Risley

(Continued)

(73) Assignee: **Idea Nuova, Inc.**, New York, NY (US)

(**) Term: **14 Years**

(21) Appl. No.: **29/514,110**

(22) Filed: **Jan. 8, 2015**

(51) **LOC (10) Cl.** **06-01**

(52) **U.S. Cl.**
USPC **D6/368**

(58) **Field of Classification Search**
USPC D6/334-336, 368, 374, 375, 716, 716.1,
D6/716.2, 716.4
CPC A47C 4/28; A47C 4/286; A47C 4/30;
A47C 4/42; A47C 4/48; A47C 5/10; A47C
9/105

See application file for complete search history.

(56) **References Cited**

U.S. PATENT DOCUMENTS

244,216 A 7/1881 Fenby
398,943 A 3/1889 Crandall
615,476 A 12/1898 Chapman
1,027,692 A 5/1912 Cole
1,185,568 A 5/1916 Zeunert
1,263,717 A 4/1918 Stone
1,443,734 A 1/1923 Clyde
D80,605 S 3/1930 Chapman
D90,572 S 8/1933 Brown
1,939,743 A 12/1933 Warner
1,942,112 A 1/1934 McQuilkin
D121,141 S 6/1940 Larsen
2,381,574 A 8/1945 Clarin
D151,967 S 12/1948 Cunningham
2,473,090 A 6/1949 Becker

FOREIGN PATENT DOCUMENTS

CN 87201431 U 2/1988
CN 2103938 U 5/1992

(Continued)

OTHER PUBLICATIONS

Office Action Issued Oct. 18, 2010 in U.S. Appl. No. 12/544,256.

(Continued)

Primary Examiner — Mimosa De
(74) *Attorney, Agent, or Firm* — Panitch Schwarze Belisario
& Nadel LLP

(57) **CLAIM**

The ornamental design for a foldable club chair, as shown and described.

DESCRIPTION

FIG. 1 is a front perspective view of a foldable club chair in accordance with a preferred embodiment of my new design; FIG. 2 is a front elevation view thereof; FIG. 3 is a rear elevation view thereof; FIG. 4 is a right side elevation view thereof; FIG. 5 is a left side elevation view thereof; FIG. 6 is a top plan view thereof; and, FIG. 7 is a bottom plan view thereof. The broken lines in the figures are for the purpose of showing environmental structure and form no part of the claimed design.

1 Claim, 4 Drawing Sheets



(56)

References Cited

U.S. PATENT DOCUMENTS

2,649,901 A	8/1953	Johnson	5,499,857 A	3/1996	Lynch, Jr.
D171,176 S	12/1953	Yellen	5,522,642 A	6/1996	Herzog
D171,265 S	1/1954	Phillips	D372,366 S	8/1996	Frinier
D171,610 S	3/1954	Morrison	5,580,129 A	12/1996	Findlay
2,684,709 A	7/1954	Schawinsky	D380,306 S	7/1997	Lin
2,691,410 A	10/1954	Boucher	D382,126 S	8/1997	Lee
2,712,349 A	7/1955	LeVoir	D382,414 S	8/1997	Lee
2,713,890 A	7/1955	Mack	5,718,473 A	2/1998	Lynch, Jr.
2,723,712 A	11/1955	Yellen	5,848,822 A	12/1998	Wu
2,727,564 A	12/1955	Gruber	5,893,605 A	4/1999	Chang
2,733,755 A	2/1956	Boucher	D411,387 S	6/1999	Zheng
D177,783 S	5/1956	Witty	D411,693 S	6/1999	Navone
2,763,318 A	9/1956	Bertoia	5,979,976 A	11/1999	Ferencik
D178,900 S	10/1956	O'Neill	5,984,406 A	11/1999	Lee
D179,376 S	12/1956	Breed	6,045,177 A	4/2000	Grace
D180,210 S	4/1957	Uretsky	6,056,354 A	5/2000	Tseng
D181,995 S	1/1958	Odor, Jr.	6,082,813 A	7/2000	Chen
D183,743 S *	10/1958	Howell, Jr. D6/375	6,095,607 A	8/2000	Wenzel
D184,202 S	12/1958	Yuen	6,112,757 A	9/2000	Tseng
2,902,084 A	9/1959	Stevens	D431,382 S	10/2000	Eloge et al.
2,916,744 A	12/1959	May	D432,325 S *	10/2000	Zheng D6/368
2,930,430 A	3/1960	Bloom	D432,823 S	10/2000	Zheng
D197,599 S	3/1964	Moore	D433,244 S	11/2000	Zheng
3,123,396 A	3/1964	Searle	D433,574 S	11/2000	Zheng
3,124,387 A	3/1964	MacLaren	6,149,238 A	11/2000	Tsai
3,136,272 A	6/1964	Sprigman	6,179,374 B1	1/2001	Tang
3,180,685 A	4/1965	Rogalski	6,209,951 B1	4/2001	Han
3,635,520 A	1/1972	Roher et al.	6,231,119 B1	5/2001	Zheng
3,656,808 A	4/1972	Chang	6,237,993 B1	5/2001	Zheng
3,694,030 A	9/1972	Grosfillex	6,238,001 B1	5/2001	Yoran
D228,593 S	10/1973	Chang	6,241,311 B1	6/2001	Zheng
3,767,192 A	10/1973	Eriksson	6,247,748 B1	6/2001	Zheng
3,838,883 A	10/1974	Machen	6,264,271 B1	7/2001	Munn et al.
3,941,416 A	3/1976	Uchida	6,283,046 B1	9/2001	Tseng
D241,290 S	9/1976	Walker	6,296,304 B1	10/2001	Zheng
D244,975 S *	7/1977	Steinberger D6/368	6,302,479 B1	10/2001	Zheng
4,045,045 A	8/1977	Boucher et al.	6,312,343 B1	11/2001	Cho
4,047,752 A	9/1977	Rohr	6,322,138 B1	11/2001	Tang
4,105,244 A	8/1978	Colby	6,332,646 B1	12/2001	Tseng
4,118,065 A	10/1978	Watkins	6,354,657 B1	3/2002	Nelson et al.
4,193,630 A	3/1980	Steele	6,364,411 B1	4/2002	Zheng
D256,409 S	8/1980	Wilson	6,371,553 B1	4/2002	Tang
4,231,582 A	11/1980	Moss	D456,628 S	5/2002	Satoshi
4,258,951 A	3/1981	Groom	6,382,715 B1	5/2002	Tang
4,290,643 A	9/1981	Logan, 3rd	6,382,729 B1	5/2002	Wu
D262,674 S	1/1982	Logan, 3rd	6,402,230 B1	6/2002	Tang
D264,405 S	5/1982	Adkinson	D460,280 S	7/2002	Fox
D267,057 S	11/1982	Koehm	6,419,311 B1	7/2002	Tang
D270,557 S	9/1983	Williams	6,447,057 B1	9/2002	Chen
4,421,356 A *	12/1983	Singer A47C 5/10 297/440.11	6,454,348 B1	9/2002	Wu
4,514,009 A	4/1985	Vanderminden et al.	6,488,331 B2	12/2002	Chen
4,605,261 A	8/1986	Lee	6,494,530 B1	12/2002	Zheng
D287,909 S	1/1987	Weiss	D468,939 S	1/2003	Zheng
4,652,047 A	3/1987	Chan	6,505,885 B1	1/2003	Tang
D290,557 S	6/1987	Salvati et al.	6,547,322 B2	4/2003	Marx
4,671,566 A	6/1987	Knapp et al.	6,554,717 B2	4/2003	Cho
4,685,725 A	8/1987	Helfrich	D475,860 S *	6/2003	Yang D6/367
D292,048 S	9/1987	Shaffer	6,601,912 B1	8/2003	Chen
4,715,650 A	12/1987	Berman et al.	6,607,240 B2	8/2003	Zheng
4,717,201 A	1/1988	Barras	6,629,722 B1	10/2003	Tang
4,789,123 A	12/1988	Mattsson	6,634,705 B1	10/2003	Zheng
4,826,241 A	5/1989	Barras	6,637,811 B2	10/2003	Zheng
4,867,505 A	9/1989	Parker	6,644,731 B2	11/2003	Tang
4,889,383 A	12/1989	Jones	6,669,281 B1	12/2003	Huang
4,934,638 A	6/1990	Davis	6,682,135 B2	1/2004	Zheng
D310,605 S	9/1990	Kwon	D486,310 S	2/2004	Goldy
5,058,950 A	10/1991	Mann	6,698,827 B2	3/2004	Le Gette et al.
5,176,393 A	1/1993	Robertson et al.	6,702,371 B2	3/2004	Zheng
5,246,265 A	9/1993	Nagan et al.	6,715,824 B2	4/2004	Zheng
5,320,404 A	6/1994	Le Gal	6,736,450 B2	5/2004	Miyagi
5,335,967 A	8/1994	Vanderminden, Sr.	6,755,462 B2	6/2004	Zheng
D352,623 S	11/1994	McGuire	6,779,838 B2	8/2004	Chang
5,494,333 A	2/1996	Wilson	6,814,403 B2	11/2004	Zheng
5,496,094 A	3/1996	Schwartzkopf et al.	6,817,661 B2	11/2004	Zheng
			6,817,671 B1	11/2004	Zheng
			6,820,927 B2	11/2004	Isom et al.
			6,824,207 B1	11/2004	Lin
			6,824,208 B2	11/2004	Zheng
			6,824,210 B2	11/2004	Zheng

(56)

References Cited

U.S. PATENT DOCUMENTS

D499,258 S 12/2004 Tseng
 D500,605 S 1/2005 Schmidt et al.
 6,840,573 B1 1/2005 Yao
 6,840,574 B1 1/2005 Wu
 6,848,740 B1 2/2005 Reese
 D503,554 S 4/2005 Kay
 6,877,814 B2 4/2005 Lin
 6,883,862 B1 4/2005 Yao
 6,899,383 B2 5/2005 Hwang
 D507,892 S 8/2005 Zheng
 6,926,355 B2 8/2005 Le Gette et al.
 6,926,356 B2 8/2005 Chen
 6,932,425 B1 * 8/2005 Tseng A47C 4/42
 297/46
 6,938,951 B1 9/2005 Tseng
 6,957,852 B1 10/2005 Hsieh
 D512,233 S 12/2005 Bongaerts
 D515,830 S 2/2006 Zheng
 6,997,634 B2 2/2006 Zheng
 7,000,983 B1 2/2006 Tsai
 D516,825 S 3/2006 Zheng
 D516,826 S 3/2006 Zheng
 D517,819 S 3/2006 Zheng
 7,011,372 B1 3/2006 Hsieh
 7,011,374 B1 3/2006 Hsieh
 7,017,985 B2 3/2006 Chen
 D522,263 S 6/2006 Hart
 7,073,852 B1 7/2006 Zheng
 D528,317 S 9/2006 Tseng
 7,100,877 B2 9/2006 Bourke et al.
 7,100,975 B1 9/2006 Zheng
 D529,304 S 10/2006 Le Gal
 D529,728 S 10/2006 Le Gal
 D530,112 S * 10/2006 Wilson D6/381
 7,140,689 B2 11/2006 Zheng
 7,144,078 B2 12/2006 Hsieh
 7,178,864 B2 2/2007 Hsieh
 7,219,955 B2 5/2007 Lu et al.
 7,229,128 B2 6/2007 Lee
 7,229,131 B2 6/2007 Chen
 7,264,245 B2 9/2007 Cho
 D554,873 S 11/2007 Ma
 D555,378 S 11/2007 Tsai
 7,328,940 B2 2/2008 Zheng
 7,396,073 B2 7/2008 Zheng
 7,404,601 B2 7/2008 Chen
 7,441,287 B2 10/2008 Zheng
 7,600,810 B2 10/2009 Chen et al.
 D607,222 S 1/2010 Bassam et al.
 D608,104 S 1/2010 Vonnegut
 7,648,421 B2 1/2010 Yoon
 7,878,585 B2 * 2/2011 Salisbury A47C 4/286
 297/45
 7,938,489 B2 5/2011 Nazari
 D649,800 S 12/2011 Lievore et al.
 D656,326 S 3/2012 Soewondo
 D661,360 S 6/2012 Campanaro et al.
 8,282,509 B1 10/2012 Michaelson et al.
 D677,920 S 3/2013 Christakos
 D681,970 S 5/2013 Christakos
 D683,156 S 5/2013 Christakos
 D688,057 S 8/2013 Christakos
 D691,384 S 10/2013 Akkad
 D703,460 S 4/2014 Kreuzer et al.
 D709,708 S 7/2014 Tseng
 D710,120 S 8/2014 Tseng
 D710,136 S 8/2014 Wu
 D710,137 S 8/2014 Wu
 D710,138 S 8/2014 Wu
 D710,639 S 8/2014 Wu
 D711,128 S 8/2014 Christakos et al.
 D711,129 S 8/2014 Christakos et al.
 D711,130 S 8/2014 Christakos et al.
 D711,131 S 8/2014 Christakos et al.
 D711,132 S 8/2014 Christakos et al.

D711,133 S 8/2014 Christakos et al.
 D711,134 S 8/2014 Christakos et al.
 D711,135 S 8/2014 Christakos et al.
 D711,136 S 8/2014 Christakos et al.
 D711,137 S 8/2014 Christakos et al.
 D711,138 S 8/2014 Christakos et al.
 D711,139 S 8/2014 Christakos et al.
 D711,140 S 8/2014 Christakos et al.
 D711,141 S 8/2014 Christakos et al.
 D711,142 S 8/2014 Christakos et al.
 D711,143 S 8/2014 Christakos et al.
 D711,144 S 8/2014 Christakos et al.
 D711,145 S 8/2014 Christakos
 D711,148 S 8/2014 Christakos
 D711,149 S 8/2014 Christakos
 D711,150 S 8/2014 Christakos
 D711,151 S 8/2014 Christakos
 D712,185 S 9/2014 Akkad
 D713,191 S 9/2014 Akkad
 D716,574 S 11/2014 Akkad
 D718,546 S 12/2014 Christakos
 D718,547 S 12/2014 Christakos
 D718,548 S 12/2014 Shinall
 D718,549 S 12/2014 Akkad
 D720,550 S 1/2015 Akkad
 D720,551 S 1/2015 Mueller
 8,955,904 B1 2/2015 Zhu
 D731,803 S 6/2015 Christakos
 D737,587 S 9/2015 Akkad
 2002/0024240 A1 2/2002 Chen
 2002/0043822 A1 4/2002 Choi et al.
 2002/0074834 A1 6/2002 Summar et al.
 2002/0183128 A1 12/2002 Cho
 2003/0006632 A1 1/2003 Ku
 2003/0015892 A1 1/2003 Wu
 2003/0020304 A1 1/2003 Zheng
 2003/0052518 A1 3/2003 Zheng
 2003/0057741 A1 3/2003 Zheng
 2003/0057747 A1 3/2003 Johnston
 2003/0060309 A1 3/2003 Smith
 2003/0094836 A1 5/2003 Chen
 2003/0111872 A1 6/2003 Zheng
 2003/0111874 A1 6/2003 Zheng
 2003/0127885 A1 7/2003 Tang
 2003/0234561 A1 12/2003 Zheng
 2004/0007903 A1 1/2004 Chang
 2004/0036323 A1 2/2004 Hwang
 2004/0066075 A1 4/2004 Yeh
 2004/0094996 A1 5/2004 Zheng
 2004/0094997 A1 5/2004 Zheng
 2004/0113476 A1 6/2004 Chang
 2004/0130190 A1 7/2004 Zheng
 2004/0135405 A1 7/2004 Zheng
 2004/0232740 A1 11/2004 Enge
 2004/0245810 A1 12/2004 Tseng
 2005/0077758 A1 4/2005 Reese
 2005/0088018 A1 4/2005 Yao
 2005/0236873 A1 10/2005 Edward
 2005/0248202 A1 11/2005 Zheng
 2006/0186711 A1 8/2006 Phipps
 2006/0249991 A1 11/2006 Hsieh
 2007/0029846 A1 2/2007 Cohen
 2007/0102974 A1 5/2007 Chen
 2007/0187998 A1 8/2007 Chen
 2007/0200395 A1 8/2007 Zheng
 2007/0267901 A1 11/2007 Zheng
 2008/0224504 A1 9/2008 Fargason
 2008/0231088 A1 9/2008 Zheng
 2010/0164256 A1 7/2010 Salisbury
 2010/0231015 A1 9/2010 Lundeen
 2011/0043003 A1 2/2011 Akkad

FOREIGN PATENT DOCUMENTS

CN 2117779 U 10/1992
 CN 2137107 Y 6/1993
 CN 2179041 Y 10/1994
 CN 2188885 Y 2/1995
 CN 2196945 Y 5/1995

(56)

References Cited

FOREIGN PATENT DOCUMENTS

CN	1139537	A	1/1997
CN	2326083	Y	6/1999
CN	2328266	Y	7/1999
CN	2339063	Y	9/1999
CN	2349884	Y	11/1999
CN	2367154	Y	3/2000
EP	139306	A1	5/1985
EP	997090	A1	5/2000
FR	2833824	A1	6/2003
FR	2837081	A1	9/2003
GB	599760	A	3/1948
GB	2022405	A	12/1979
GB	2025213	A	1/1980
GB	2331233	A	5/1999
JP	38-12532		6/1938
JP	50123508	A	9/1975
JP	51127856	A	11/1976
JP	55120347	A	9/1980
JP	2001070077	A	3/2001
JP	2002165667	A	6/2002
JP	2002233429	A	8/2002

JP	2002360371	A	12/2002
JP	2004105557	A	4/2004
WO	2004021835	A1	3/2004

OTHER PUBLICATIONS

U.S. Appl. No. 13/570,472 by Akkad, filed Aug. 9, 2012.
 U.S. Appl. No. 29/434,983 by Akkad, filed Oct. 18, 2012.
 Office Action issued Sep. 20, 2013 in U.S. Appl. No. 13/570,472 by Akkad.
 Office Action issued Jan. 14, 2014 in U.S. Appl. No. 13/570,472 by Akkad.
 U.S. Appl. No. 29/483,471 by Akkad, filed Feb. 28, 2014.
 U.S. Appl. No. 29/483,488 by Akkad, filed Feb. 28, 2014.
 U.S. Appl. No. 29/478,866 by Akkad, filed Jan. 9, 2014.
 U.S. Appl. No. 29/493,606 by Akkad, filed Jun. 11, 2014.
 U.S. Appl. No. 29/493,607 by Akkad, filed Jun. 11, 2014.
 U.S. Appl. No. 29/510,669 by Akkad, filed Dec. 2, 2014.
 U.S. Appl. No. 29/510,671 by Akkad, filed Dec. 2, 2014.
 U.S. Appl. No. 29/510,672 by Akkad, filed Dec. 2, 2014.
 U.S. Appl. No. 29/506,379 by Akkad, filed Oct. 15, 2014.
 U.S. Appl. No. 29/510,668 by Akkad, filed Dec. 2, 2014.

* cited by examiner



FIG. 1

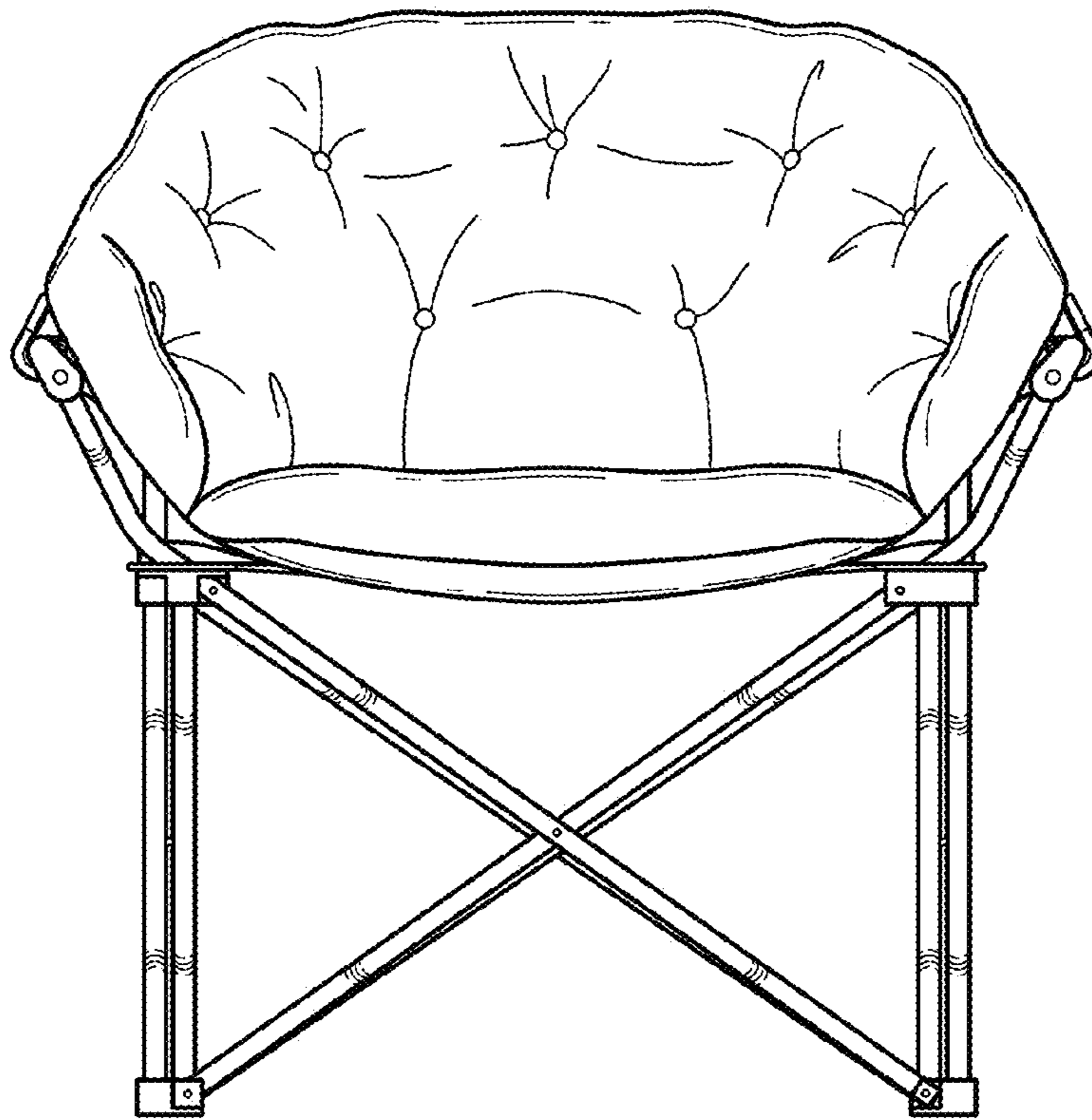


FIG. 2

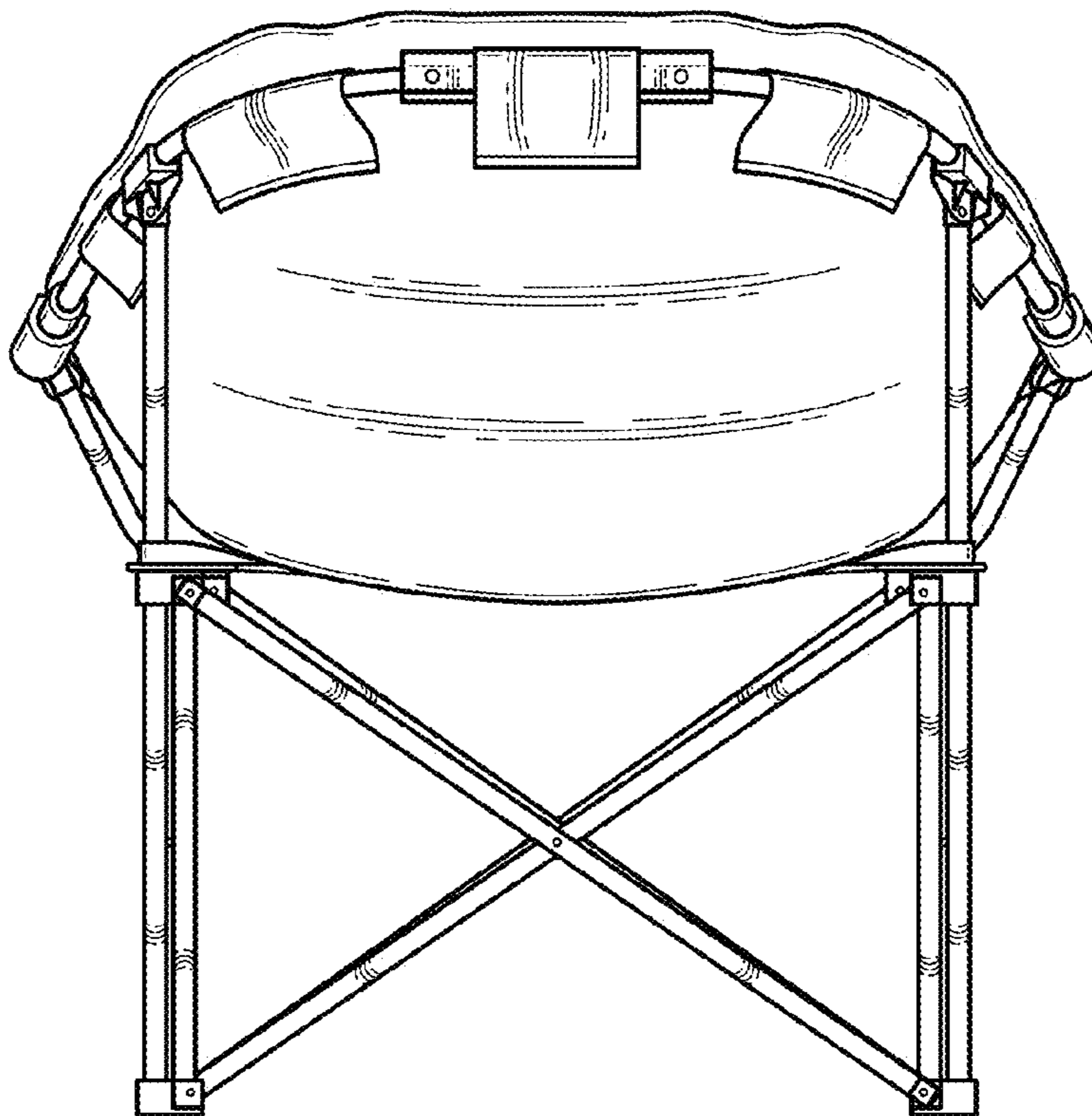


FIG. 3

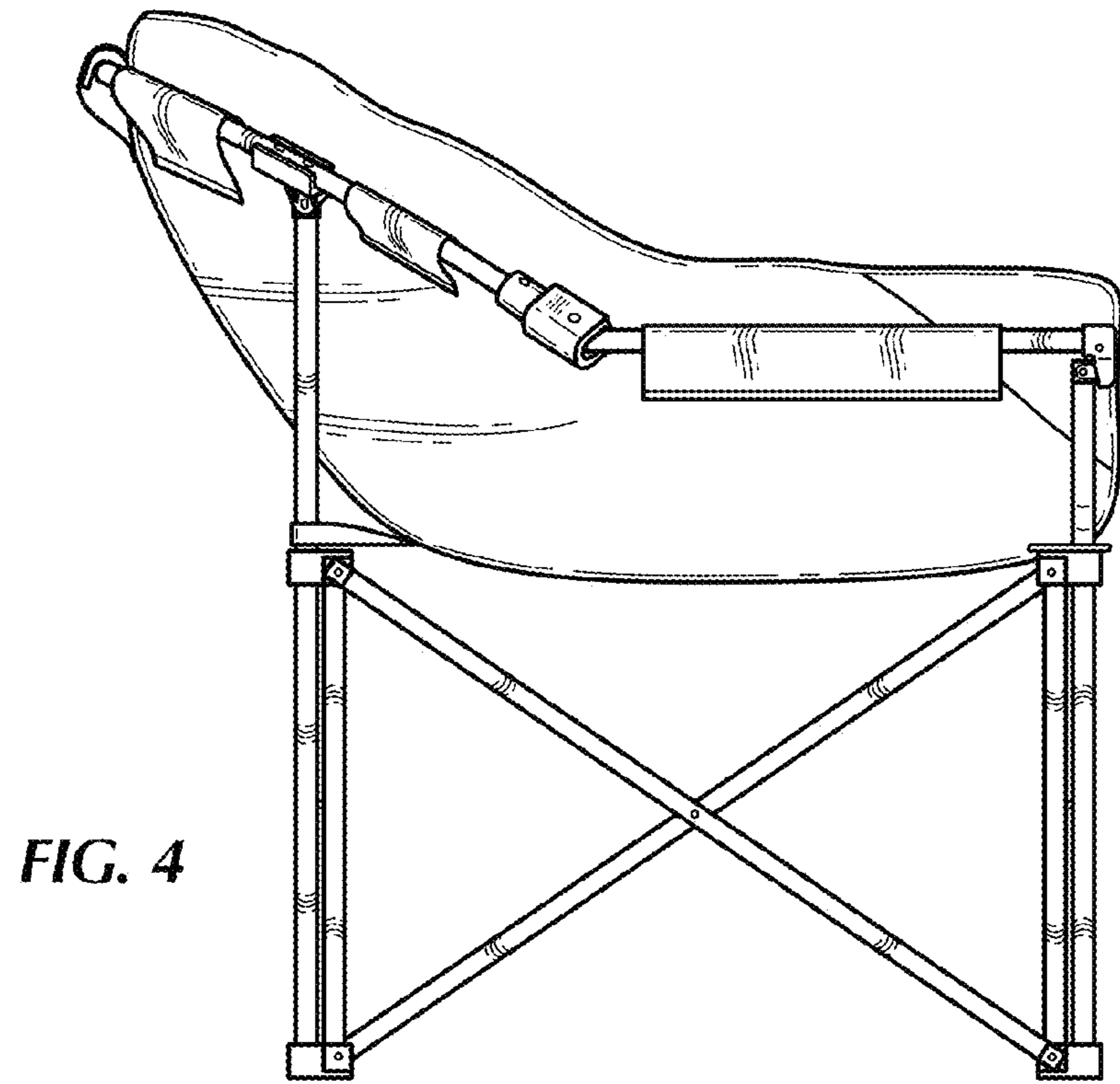


FIG. 4

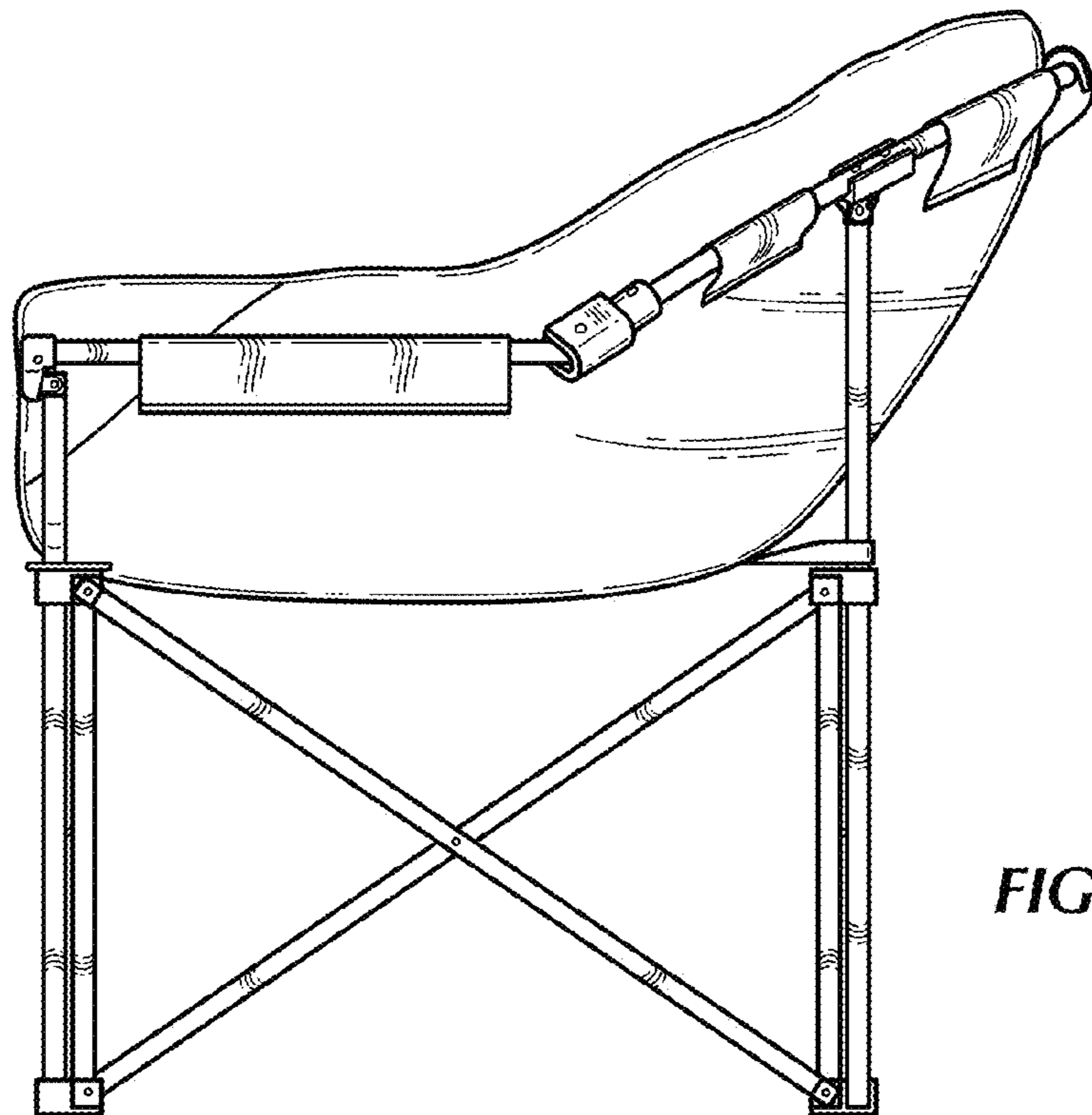


FIG. 5

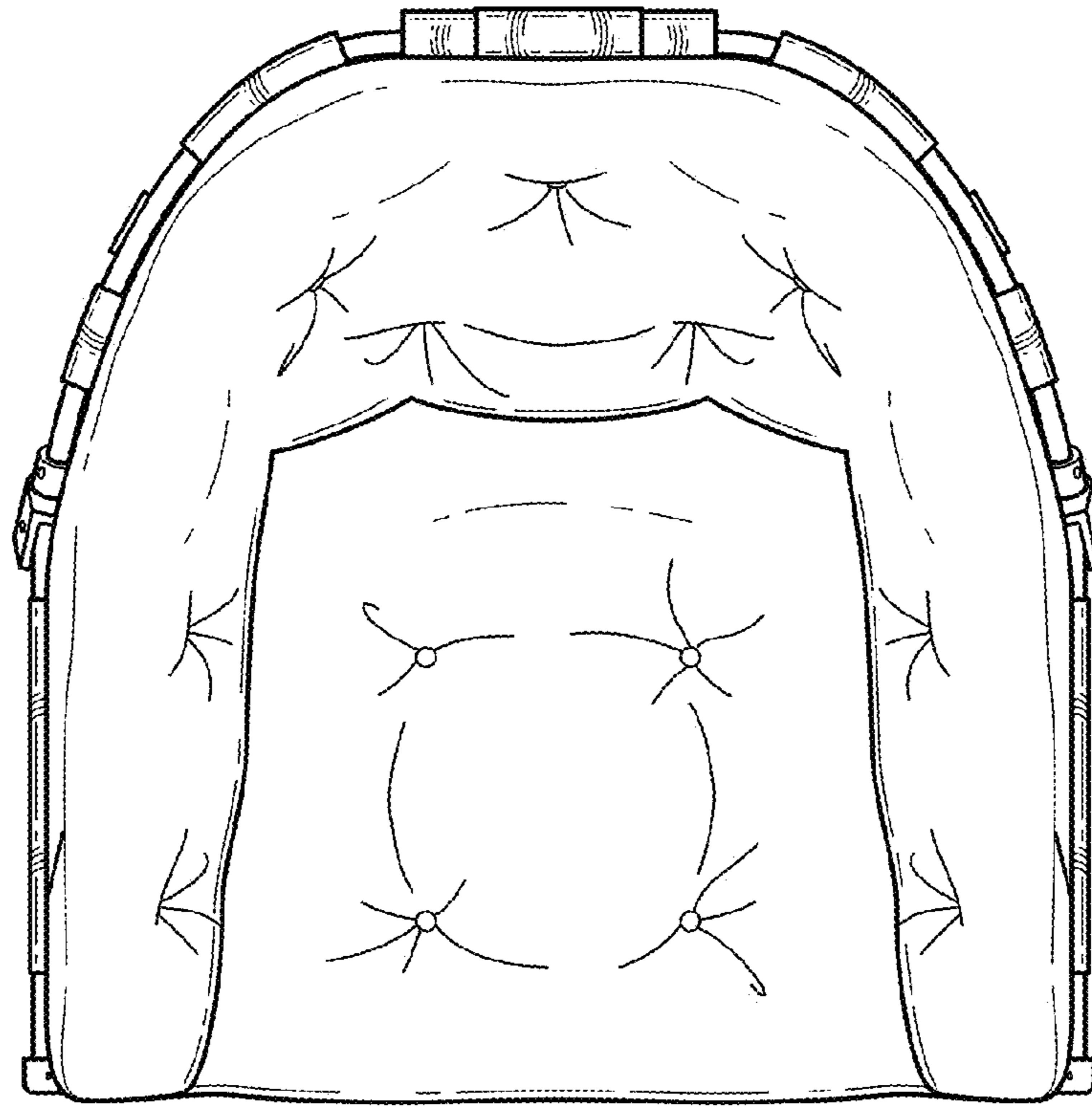


FIG. 6

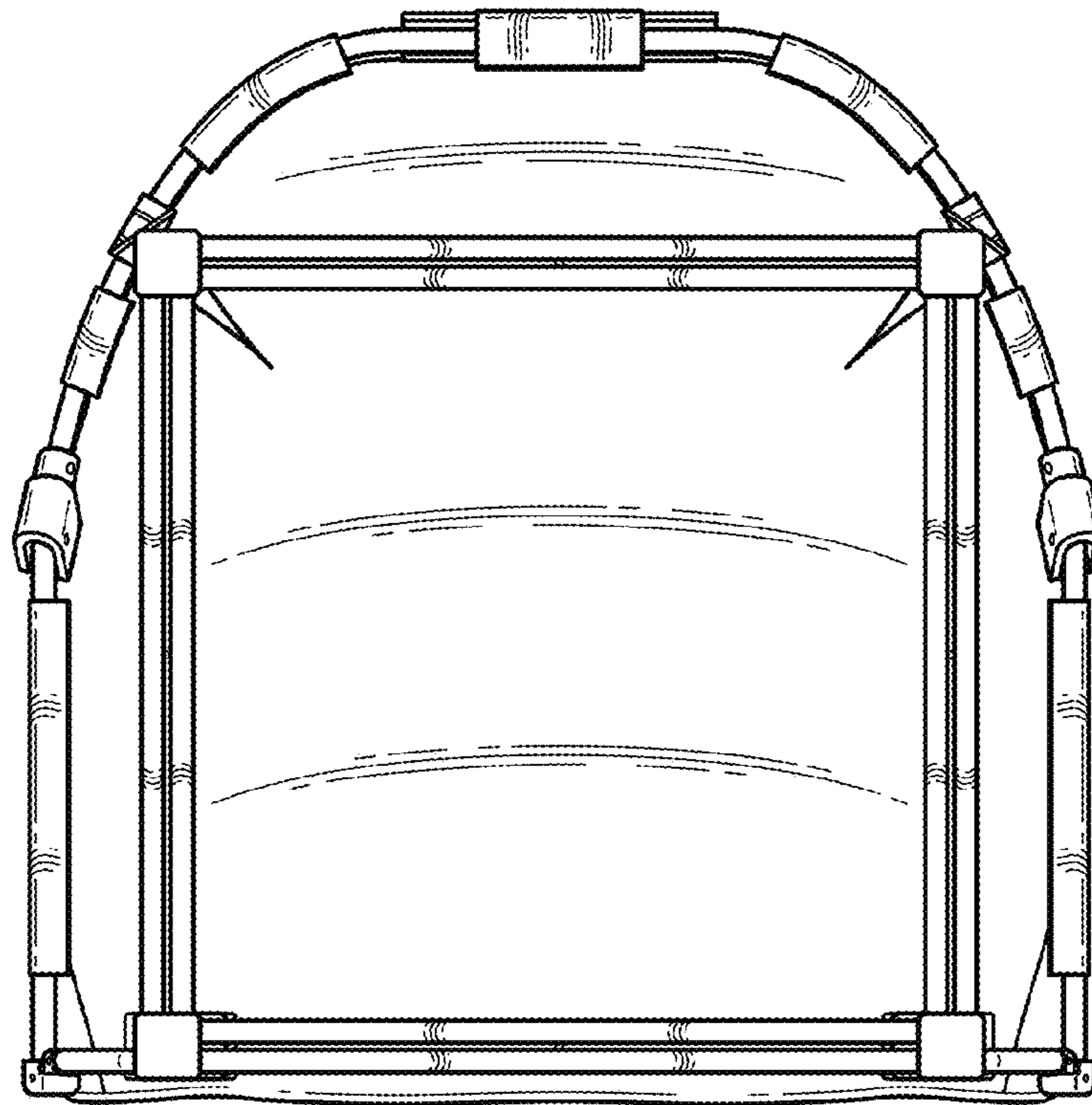


FIG. 7