



US00D752889S

(12) **United States Design Patent**
Bench

(10) **Patent No.:** **US D752,889 S**

(45) **Date of Patent:** **** Apr. 5, 2016**

(54) **ARMCHAIR**

(71) Applicant: **Boss Design Limited**, Dudley (GB)

(72) Inventor: **Stefan Bench**, Lichfield (GB)

(73) Assignee: **Boss Design Limited** (GB)

(**) Term: **14 Years**

(21) Appl. No.: **29/519,844**

(22) Filed: **Mar. 9, 2015**

(30) **Foreign Application Priority Data**

Sep. 9, 2014 (EM) 002534172-0006

(51) **LOC (10) Cl.** **06-01**

(52) **U.S. Cl.**
USPC **D6/366**

(58) **Field of Classification Search**
USPC D6/334–336, 364, 365, 366, 374, 716,
D6/716.1, 716.2, 716.4
CPC A47C 3/40; A47C 7/004; A47C 7/54;
A47C 7/022; A47C 7/40; A47C 7/18
See application file for complete search history.

(56) **References Cited**

U.S. PATENT DOCUMENTS

D195,401 S * 6/1963 Johnson D6/366
D209,743 S * 1/1968 Mulhauser, Jr. D6/366

D227,829 S * 7/1973 Klose D6/366
D227,830 S * 7/1973 Klose D6/366
D439,449 S * 3/2001 Klinkhammer D6/716
D543,716 S * 6/2007 Votteler D6/366
D560,918 S * 2/2008 Fuksas D6/366
D587,916 S * 3/2009 Bouroullec D6/366
D645,672 S * 9/2011 Lievore D6/366
D648,158 S * 11/2011 Kubryk D6/716
D683,171 S * 5/2013 Kubryk D6/366

* cited by examiner

Primary Examiner — Mimosa De

(74) *Attorney, Agent, or Firm* — Goodwin Procter LLP

(57) **CLAIM**

The ornamental design for an armchair, as shown and described.

DESCRIPTION

FIG. 1 is a front perspective view of an armchair;
FIG. 2 is a front view of the armchair;
FIG. 3 is a rear view of the armchair;
FIG. 4 is a right side view of the armchair;
FIG. 5 is a left side view of the armchair;
FIG. 6 is a top view of the armchair;
FIG. 7 is a bottom view of the armchair;
FIG. 8 is a rear perspective view of the armchair; and,
FIG. 9 is a bottom perspective view of the armchair.

1 Claim, 9 Drawing Sheets

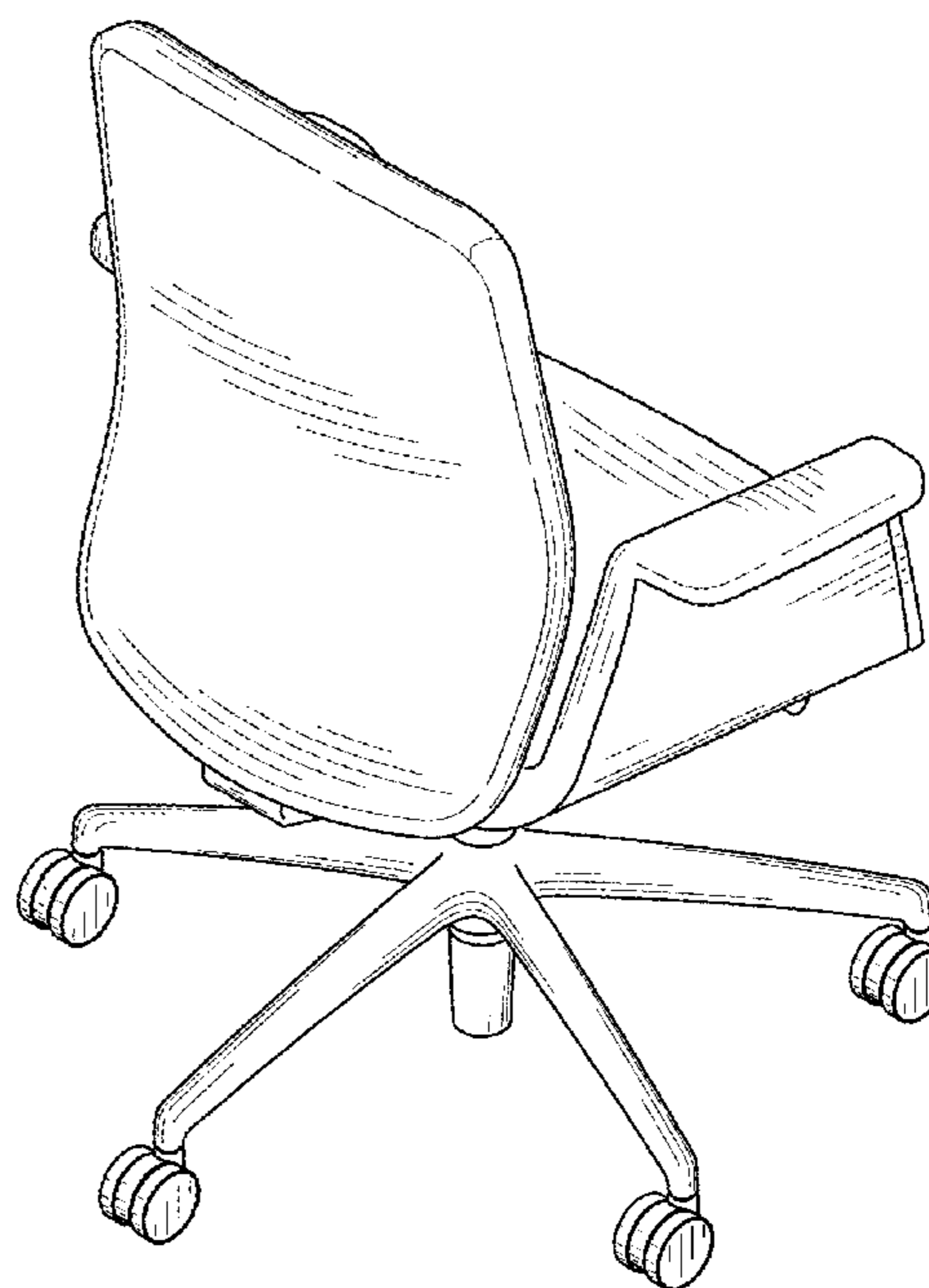




FIG. 1

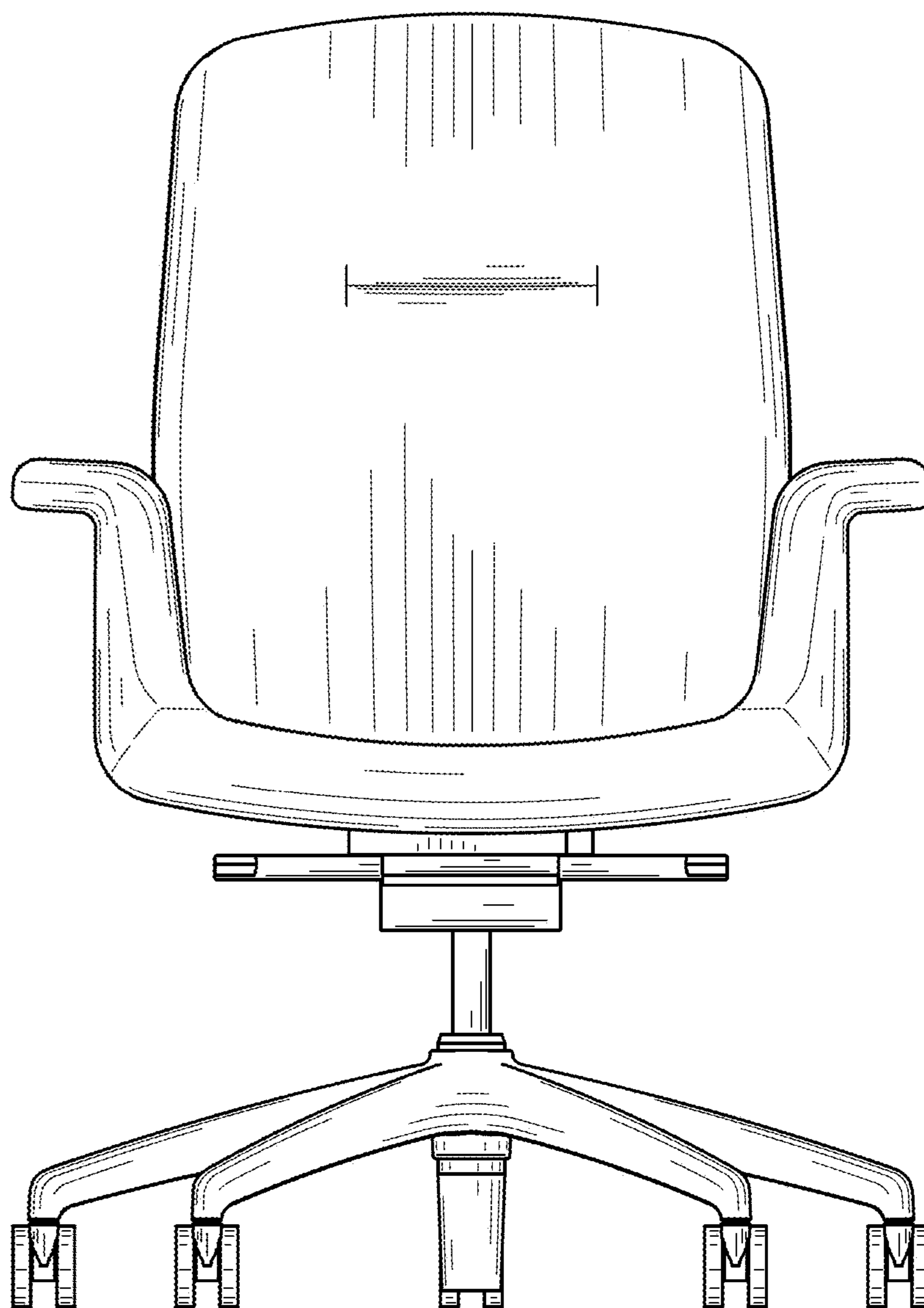


FIG. 2

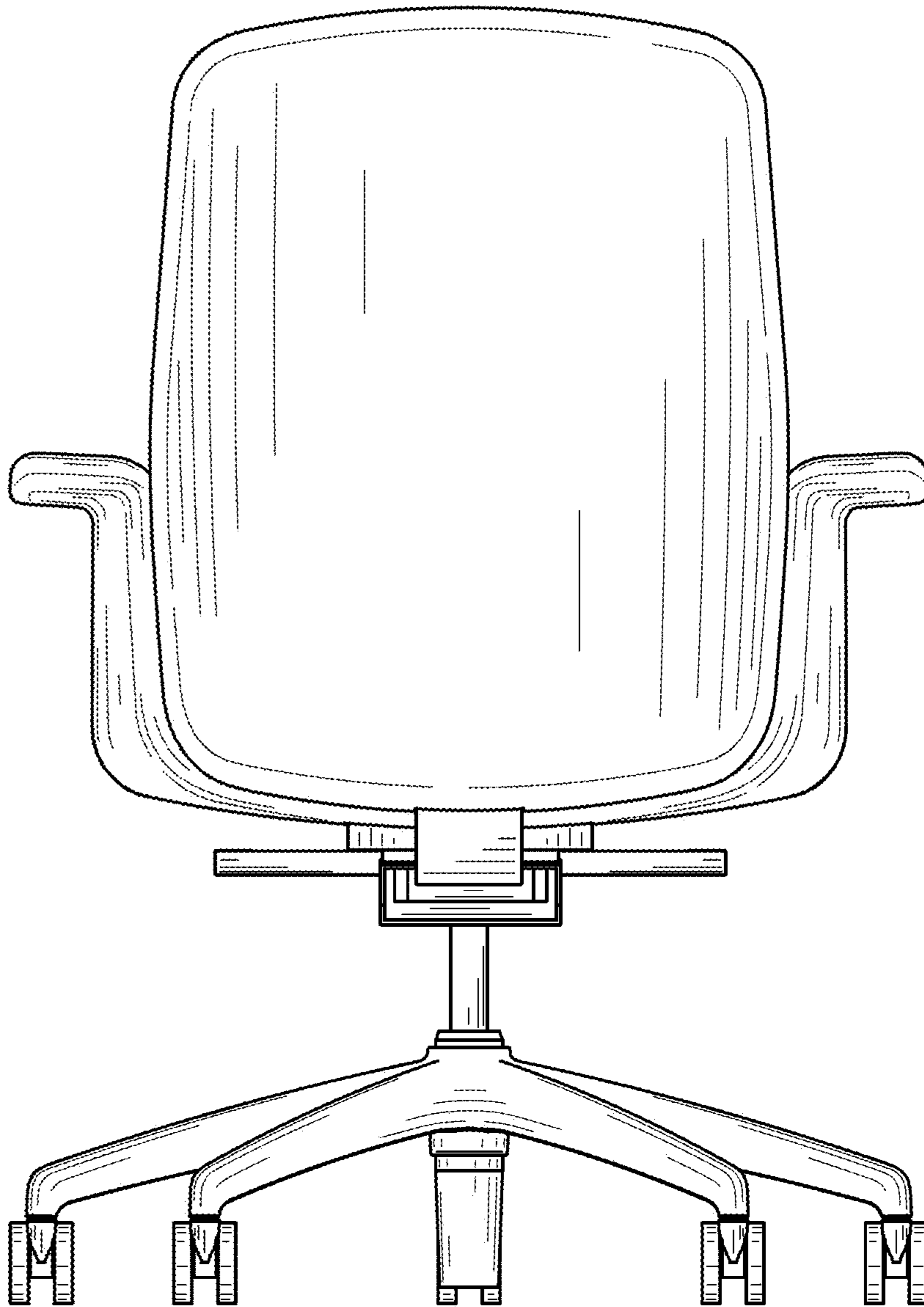


FIG. 3



FIG. 4



FIG. 5

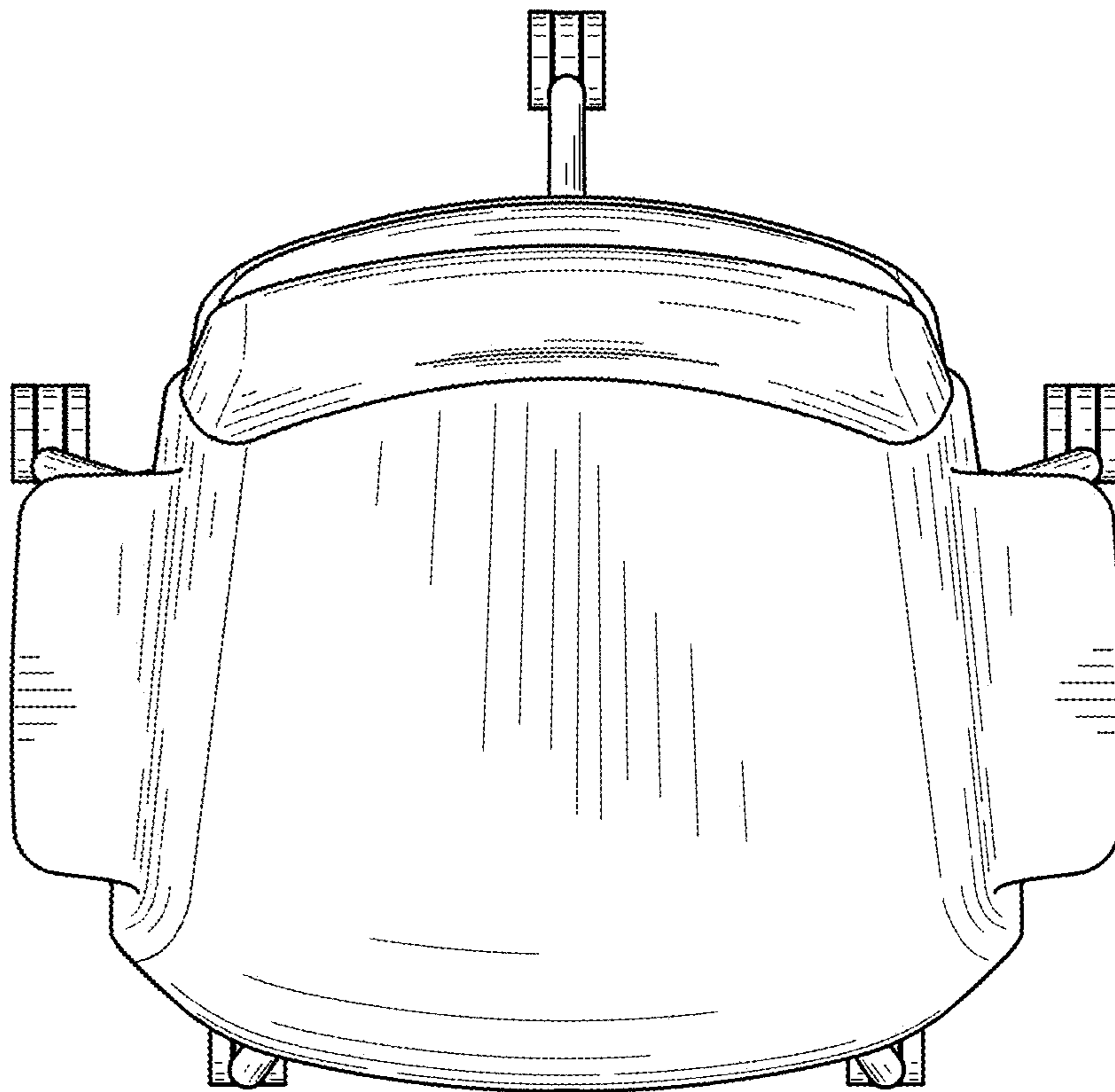


FIG. 6

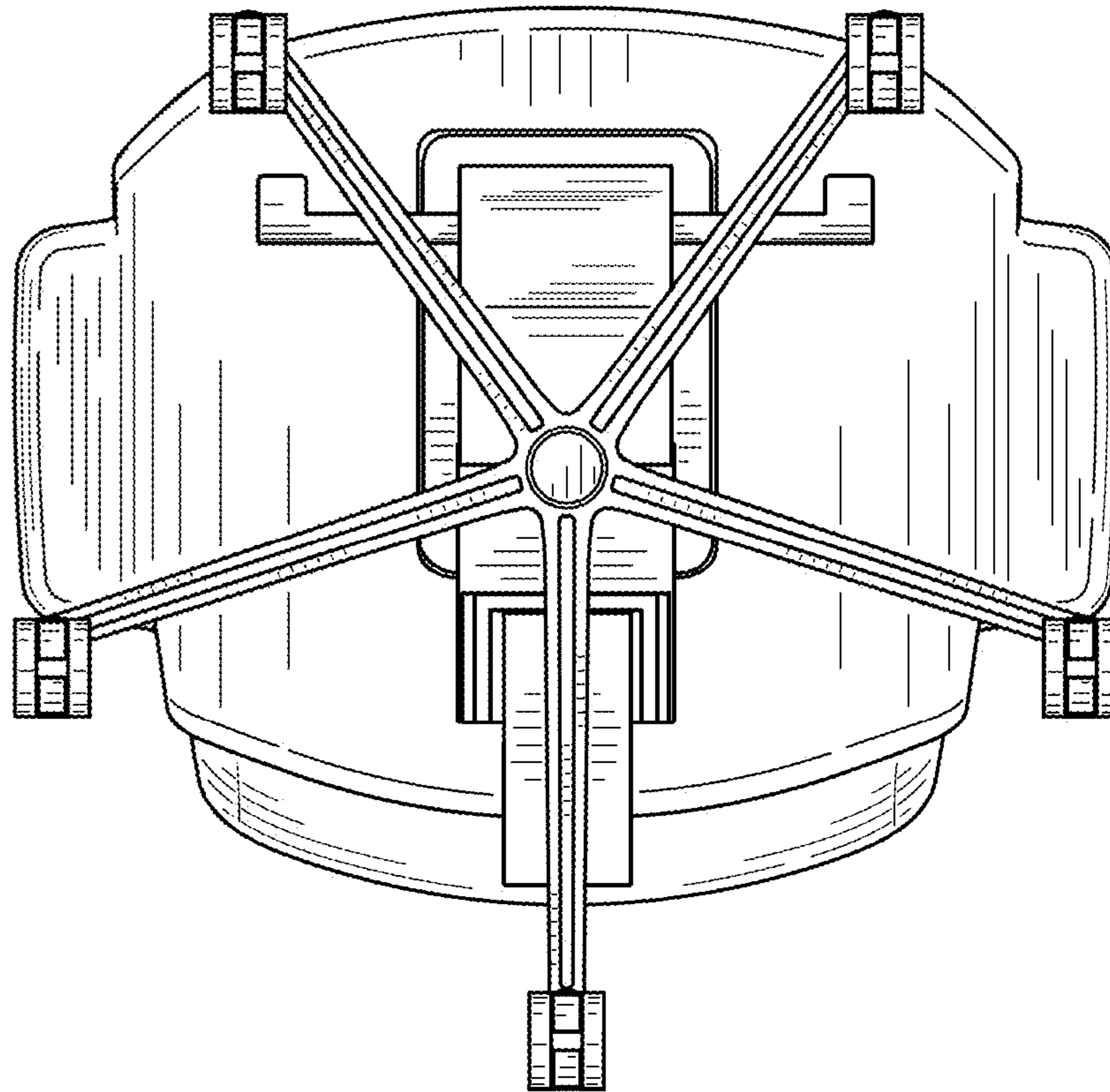


FIG. 7

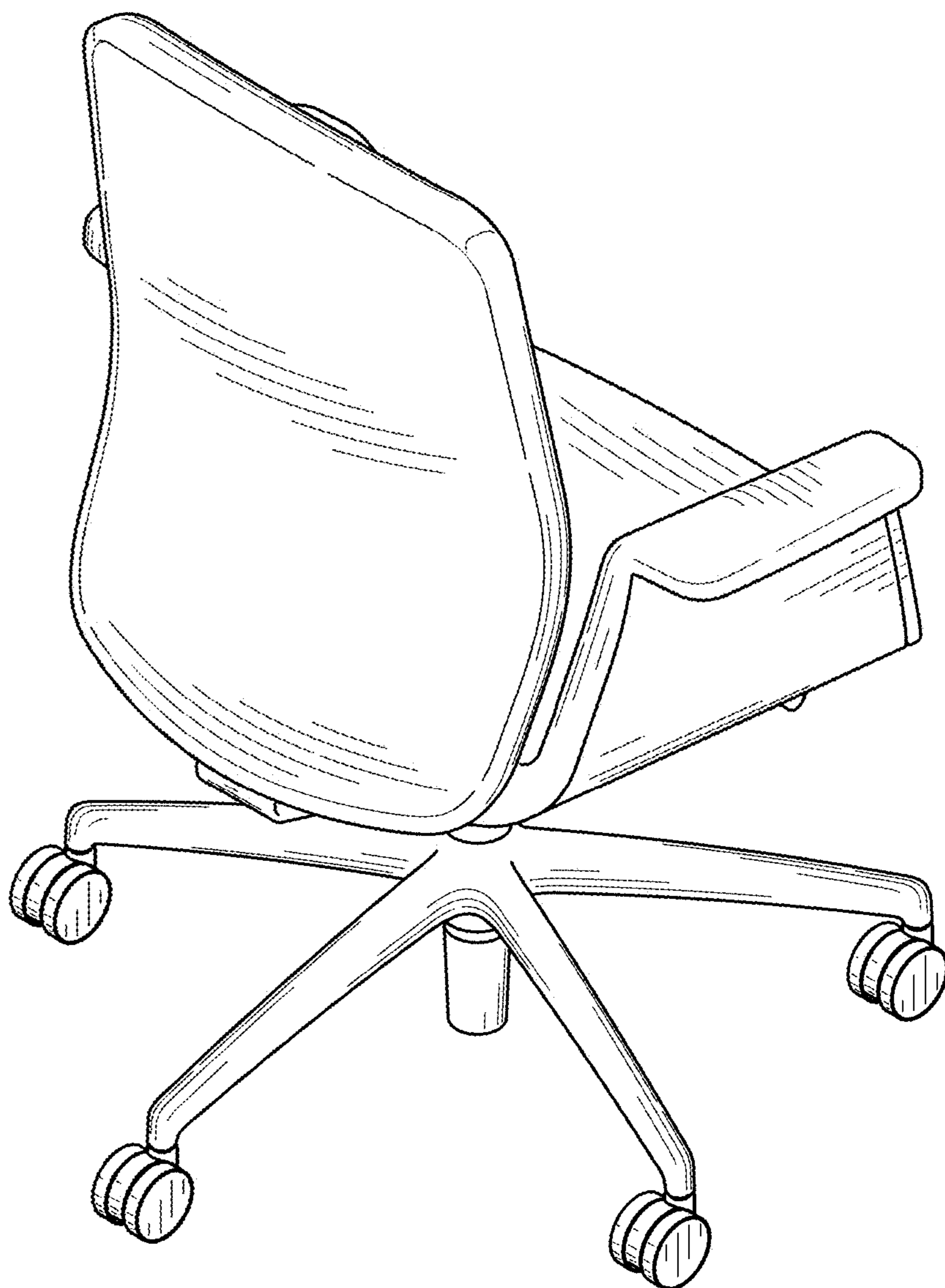


FIG. 8

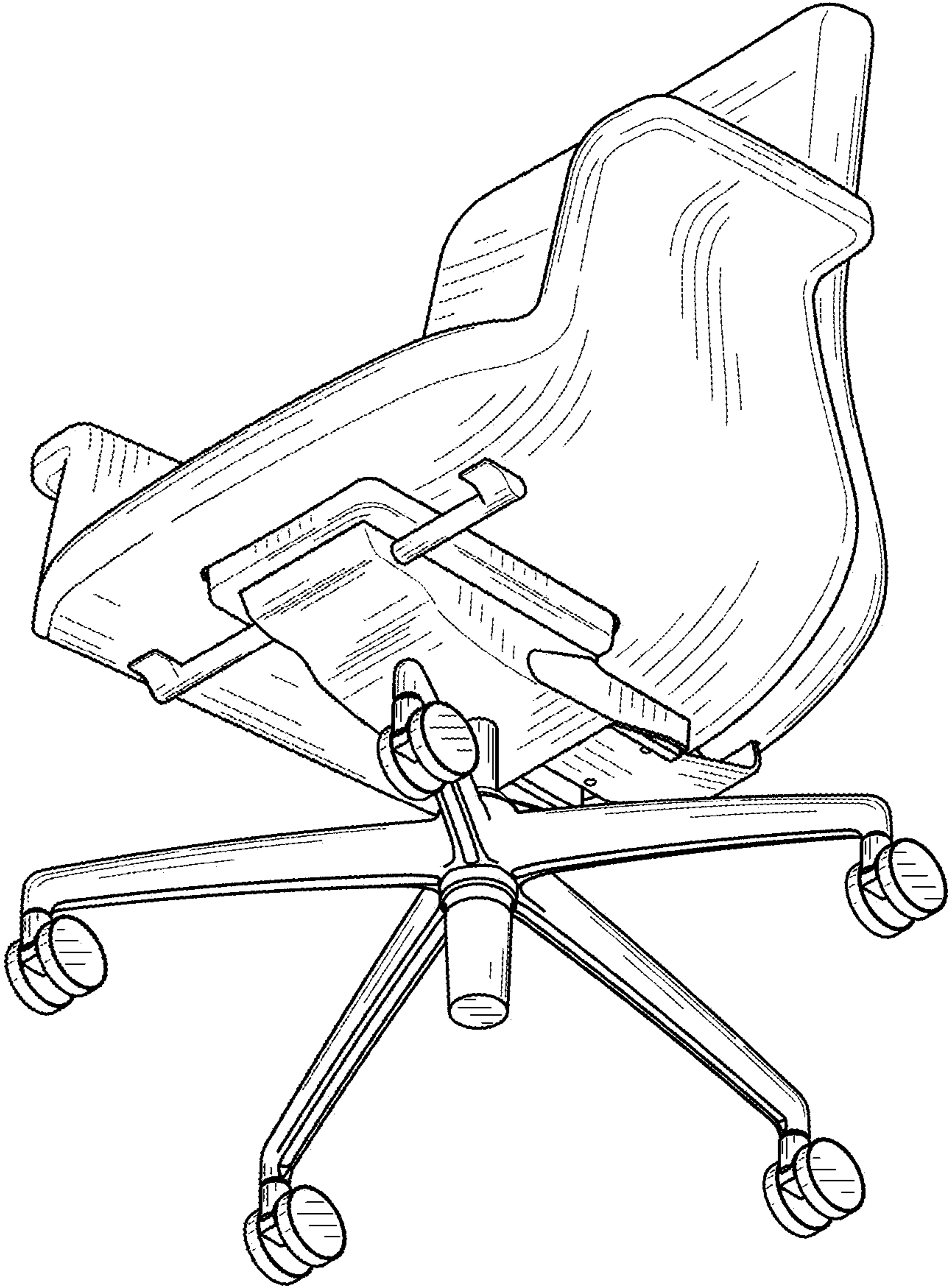


FIG. 9