



US00D752887S

(12) **United States Design Patent**
Westerkamp

(10) **Patent No.:** **US D752,887 S**
(45) **Date of Patent:** **** Apr. 5, 2016**

(54) **CLOTHING HANGER ACCESSORY**

(71) Applicant: **Cheryl Westerkamp**, Hamburg, NJ (US)

(72) Inventor: **Cheryl Westerkamp**, Hamburg, NJ (US)

(**) Term: **14 Years**

(21) Appl. No.: **29/514,808**

(22) Filed: **Jan. 16, 2015**

(51) **LOC (10) Cl.** **06-08**

(52) **U.S. Cl.**
USPC **D6/328**

(58) **Field of Classification Search**

USPC D6/315-328, 581; D11/1, 17, 79;
D3/208, 215-217, 322; 223/85-98;
211/1, 13.1, 85.3, 113; 428/7, 11, 28;
24/715.5

CPC ... A47G 33/08; A47G 25/1414; A47G 33/10;
A47F 7/00; Y10S 362/806; Y10S 63/03;
Y10S 229/922; Y10T 428/24736; Y10T
24/3792; Y10T 428/24008; Y10T 24/44017;
Y10T 24/44256; Y10T 428/216

See application file for complete search history.

(56) **References Cited**

U.S. PATENT DOCUMENTS

1,983,496 A * 12/1934 Ganz A45D 33/34
206/0.5
2,784,512 A * 3/1957 Goodwin A47G 33/08
220/4.21
2,961,727 A * 11/1960 Coffey A43C 9/02
24/713.1
D234,243 S * 2/1975 Lindemann D6/328
D244,013 S * 4/1977 Perkins 428/11
D398,774 S * 9/1998 Yu D3/209

D410,679 S * 6/1999 Blanchard D19/34
D465,373 S * 11/2002 Wilkinson D11/79
RE38,160 E * 7/2003 Soergel A42B 1/24
D2/866
D538,029 S * 3/2007 Knoepke D11/121
D543,483 S * 5/2007 Sexton D11/121
D644,427 S * 9/2011 Cunningham D3/208
D716,052 S * 10/2014 Sappenfield-Chan D3/318

* cited by examiner

Primary Examiner — Derrick Holland

Assistant Examiner — Lauren Calve

(57) **CLAIM**

The ornamental design for a clothing hanger accessory, as shown and described.

DESCRIPTION

FIG. 1 is a top front perspective view of a clothing hanger accessory shown in an alternate configuration and in environmental use;

FIG. 2 is a top front perspective view of the clothing hanger accessory;

FIG. 3 is a front elevation view of the clothing hanger accessory;

FIG. 4 is a rear elevation view of the clothing hanger accessory;

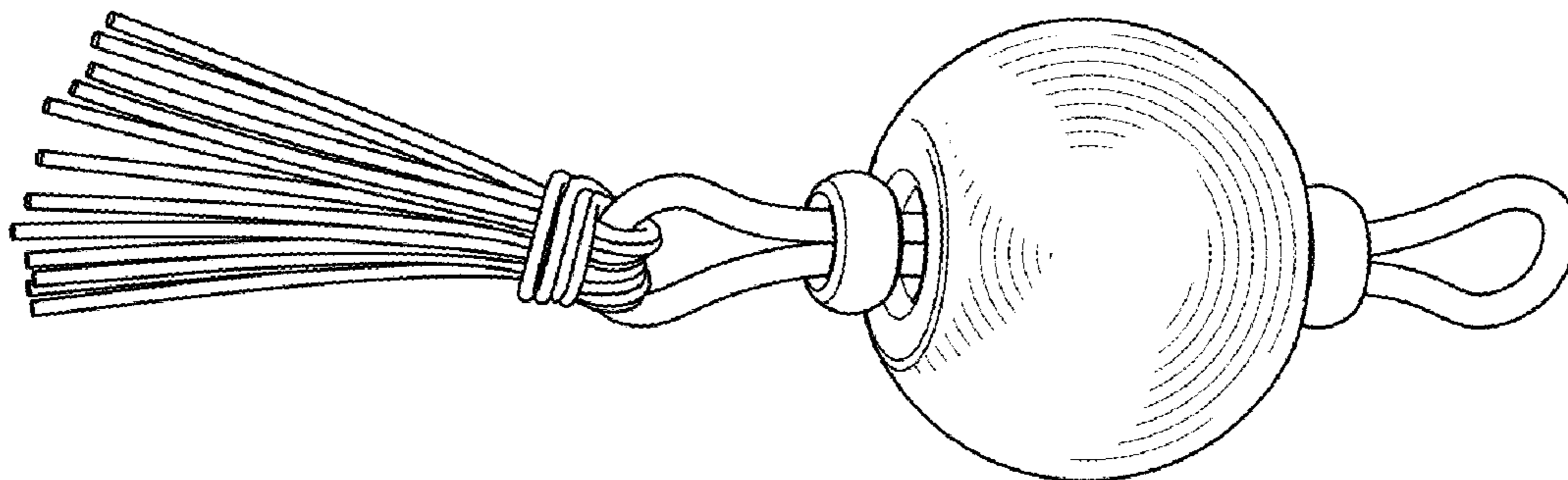
FIG. 5 is a left elevation view of the clothing hanger accessory;

FIG. 6 is a right elevation view of the clothing hanger accessory;

FIG. 7 is a top plan view of the clothing hanger accessory; and,

FIG. 8 is a bottom plan view of the clothing hanger accessory. The broken lines shown represent unclaimed subject matter and form no part of the claimed design.

1 Claim, 3 Drawing Sheets



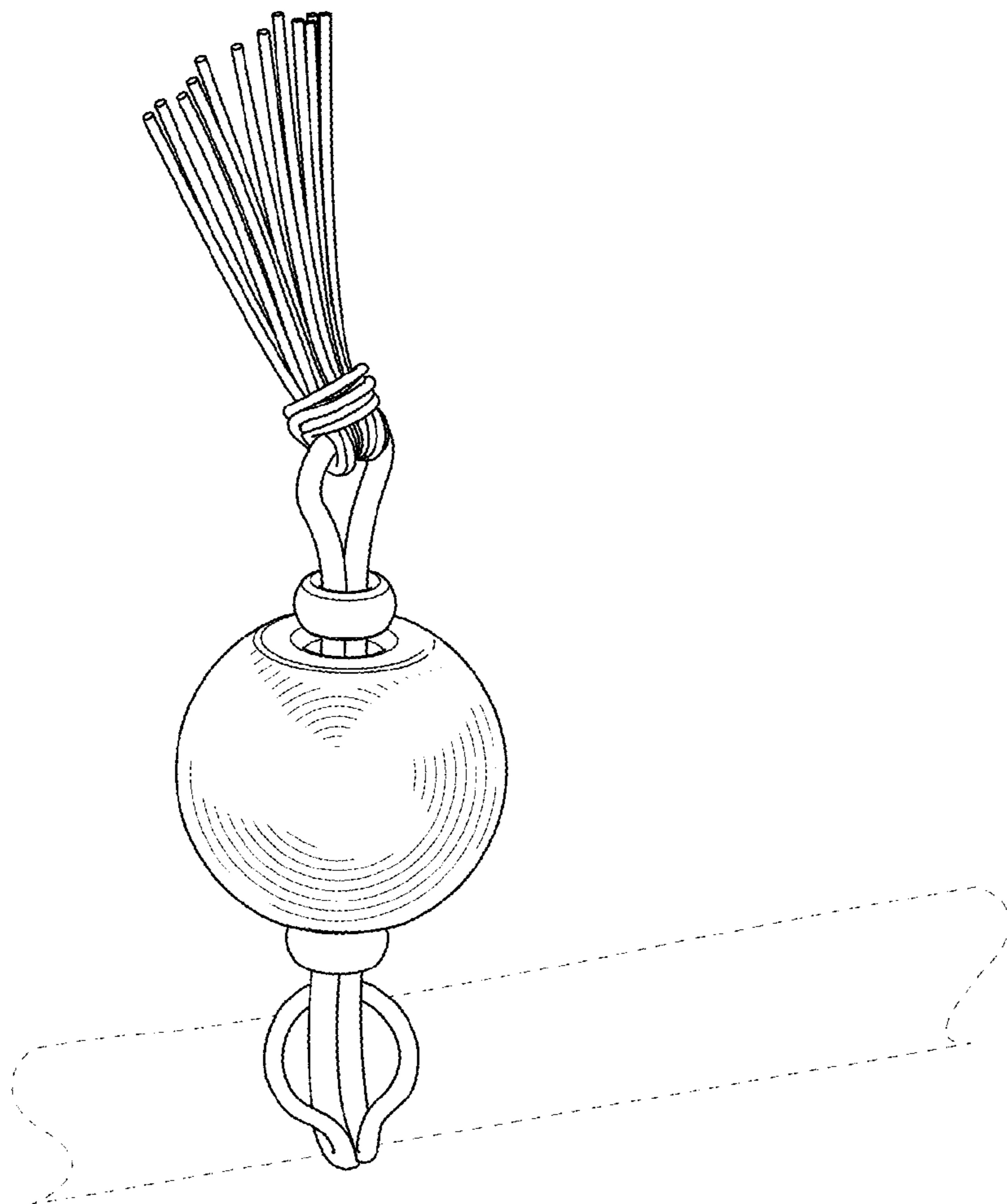


FIG. 1

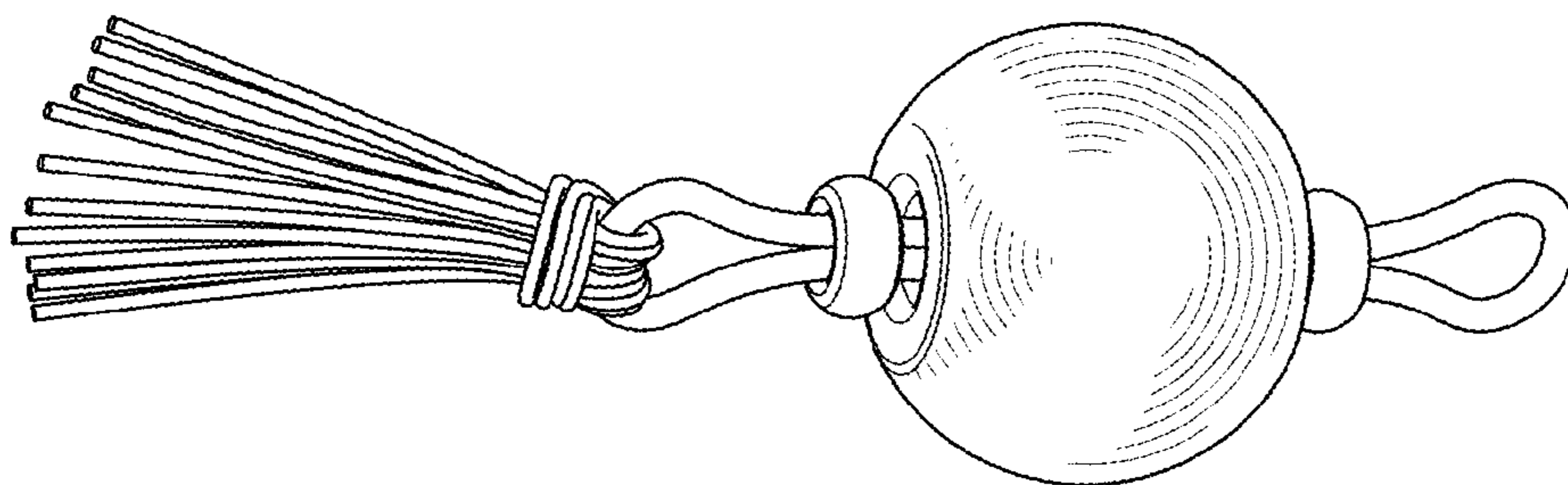


FIG. 2

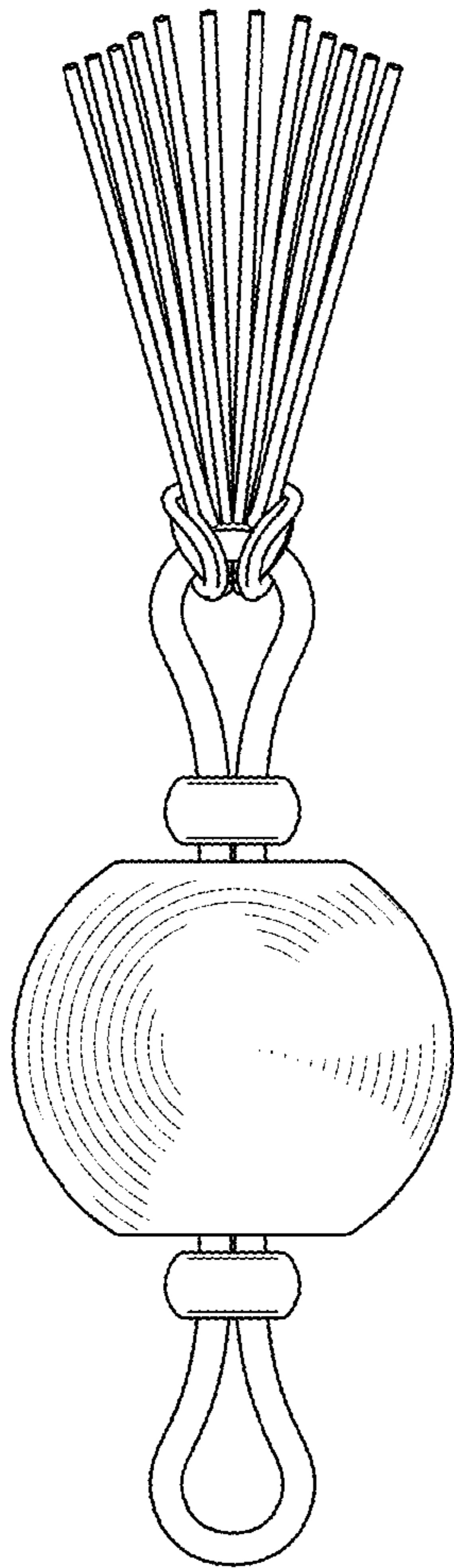


FIG. 3

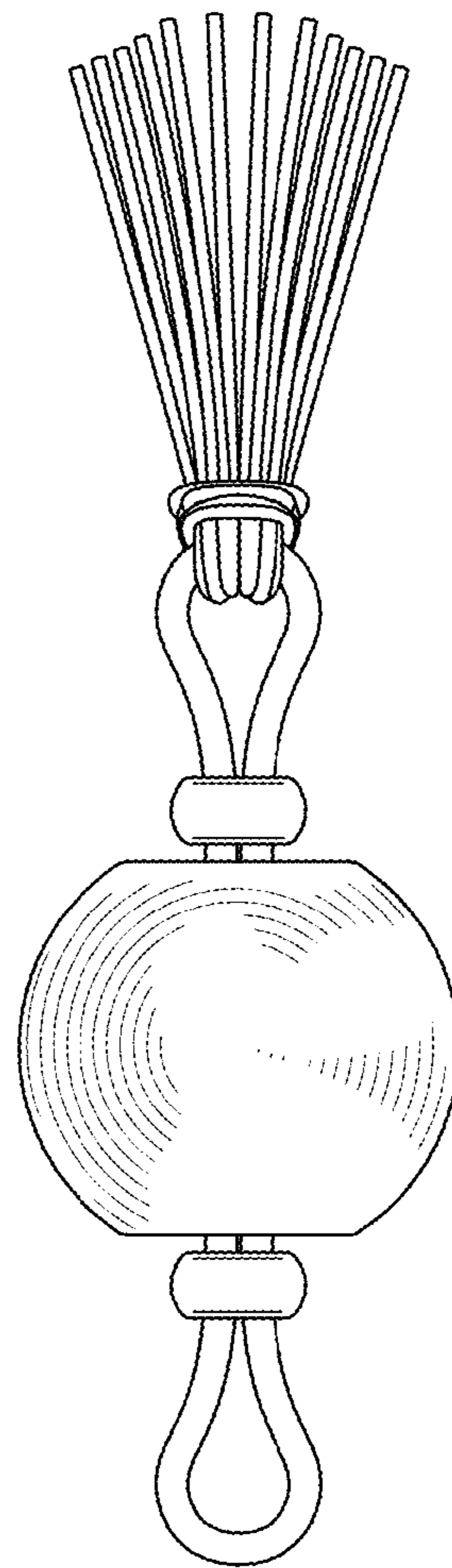


FIG. 4

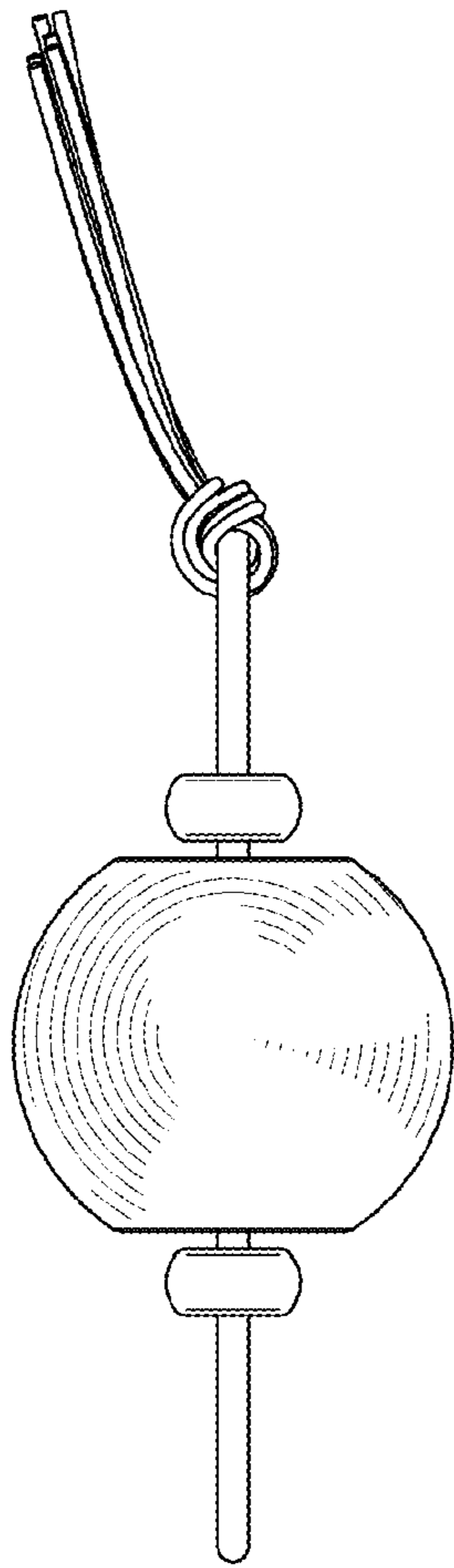


FIG. 5

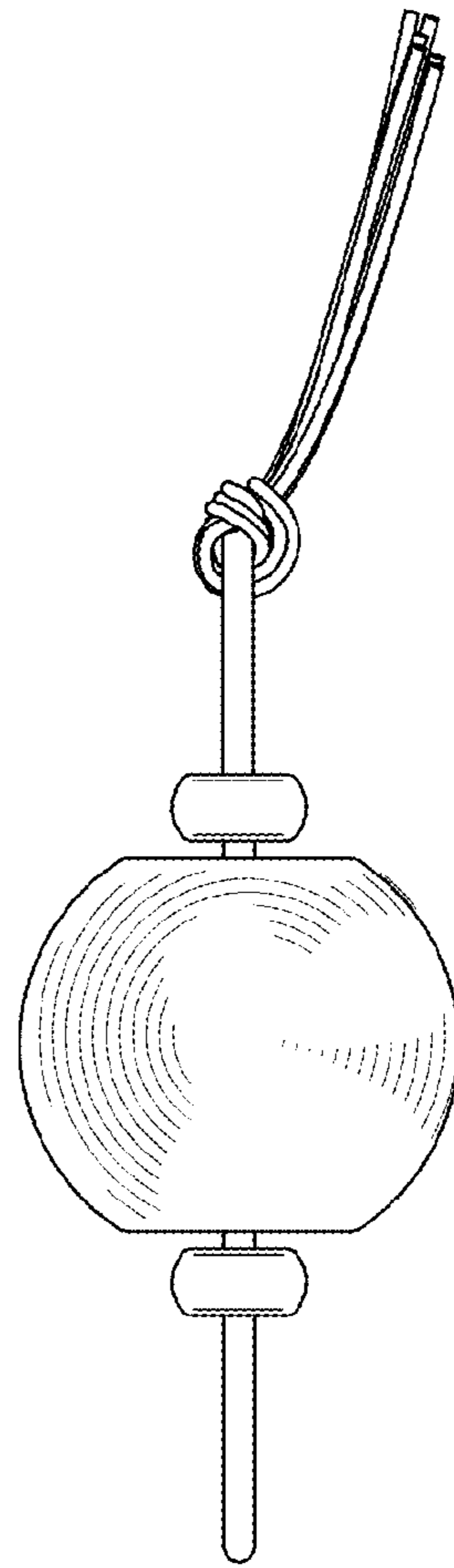


FIG. 6

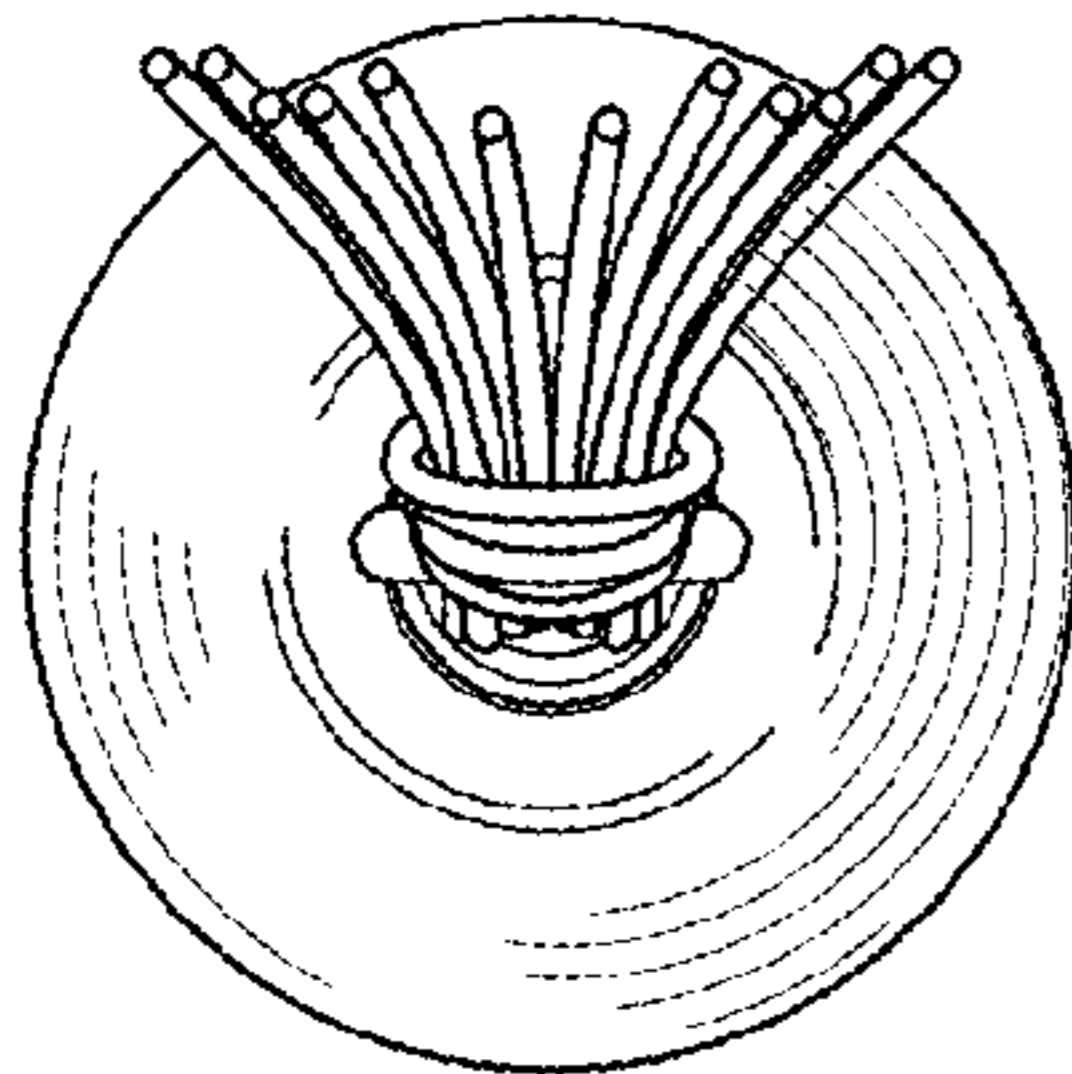


FIG. 7

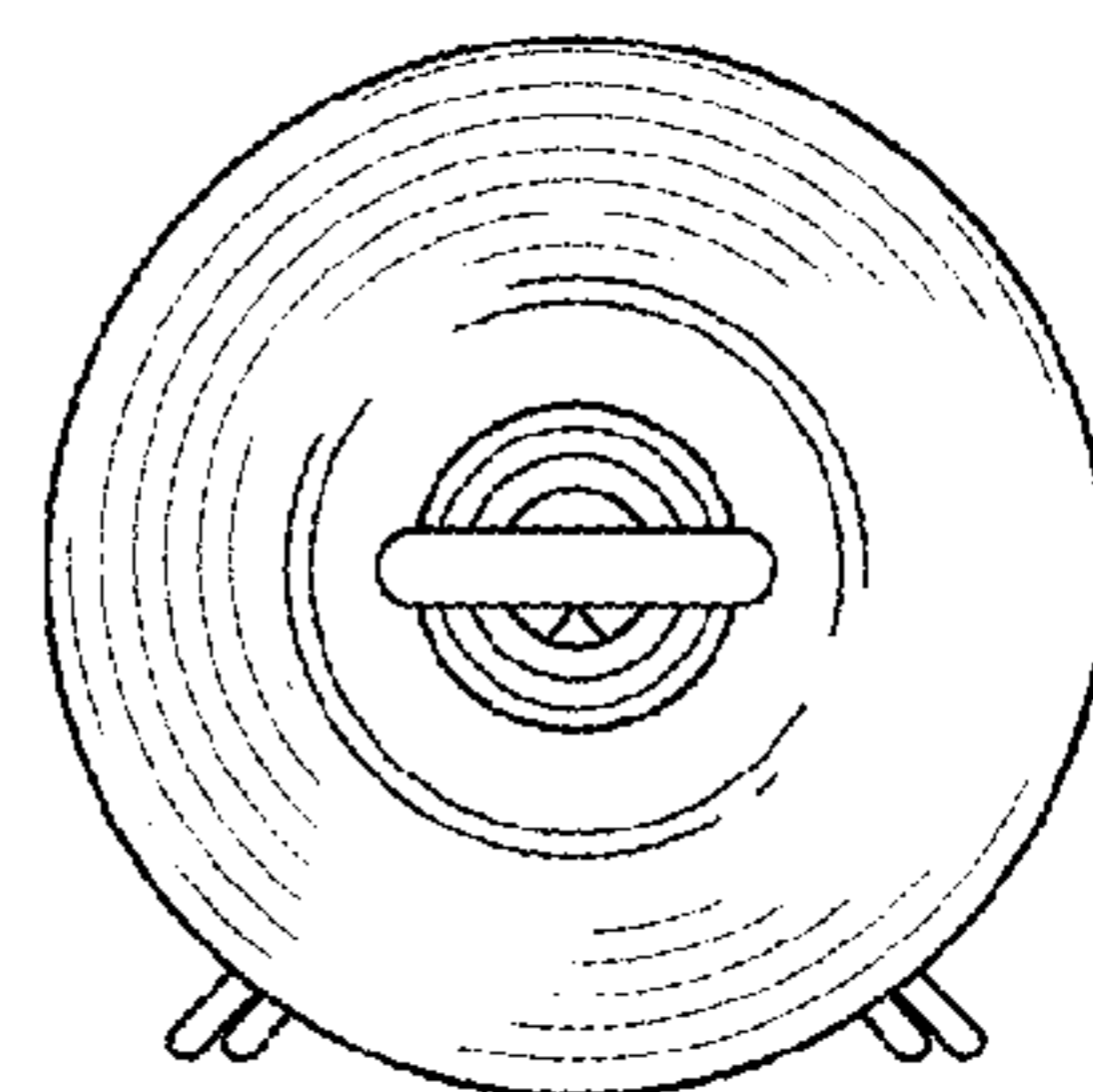


FIG. 8