



US00D752886S

(12) **United States Design Patent**
Ohrling et al.

(10) **Patent No.:** **US D752,886 S**
(45) **Date of Patent:** **** Apr. 5, 2016**

(54) **GUN CASE HANGER**

(71) Applicants: **Joseph M. Ohrling**, Muskegon, MI
(US); **Patti R. Ohrling**, Muskegon, MI
(US)

(72) Inventors: **Joseph M. Ohrling**, Muskegon, MI
(US); **Patti R. Ohrling**, Muskegon, MI
(US)

(**) Term: **15 Years**

(21) Appl. No.: **29/536,422**

(22) Filed: **Aug. 17, 2015**

D125,109	S	2/1941	Lamar	
2,454,908	A	11/1948	Buxton	
2,510,452	A	6/1950	Witt	
3,063,570	A	11/1962	Kroner	
4,024,997	A	5/1977	Kolpin	
D324,782	S	3/1992	Pedersen	
D334,291	S	3/1993	Rooke	
D378,475	S	3/1997	Brown	
5,908,120	A	6/1999	Yates et al.	
6,070,773	A	6/2000	Pogoda	
6,651,941	B1 *	11/2003	Kinsel A45F 5/1026 248/100
8,387,182	B2	3/2013	Edelman	
D723,289	S	3/2015	Goodman et al.	
D740,037	S *	10/2015	Ohrling D6/317
2008/0105632	A1	5/2008	Oliver	

* cited by examiner

Related U.S. Application Data

(62) Division of application No. 29/485,338, filed on Mar. 18, 2014, now Pat. No. Des. 740,037.

(51) **LOC (10) CL.** **06-08**

(52) **U.S. CL.**
USPC **D6/317**

(58) **Field of Classification Search**
USPC D6/315-328; 223/85-98; 211/10, 13.1,
211/85.2, 86.01, 87.01, 113
CPC A47G 25/28; A47G 25/38; A47G 25/14;
A47G 25/442; A47G 25/483; A47G 25/485;
A47G 25/4023; Y10S 223/04; A47F 5/0006
See application file for complete search history.

(56) **References Cited**

U.S. PATENT DOCUMENTS

1,815,673 A 7/1931 Kelley
1,969,258 A 8/1934 Cross

Primary Examiner — Derrick Holland

Assistant Examiner — Lauren Calve

(74) *Attorney, Agent, or Firm* — Price Heneveld LLP

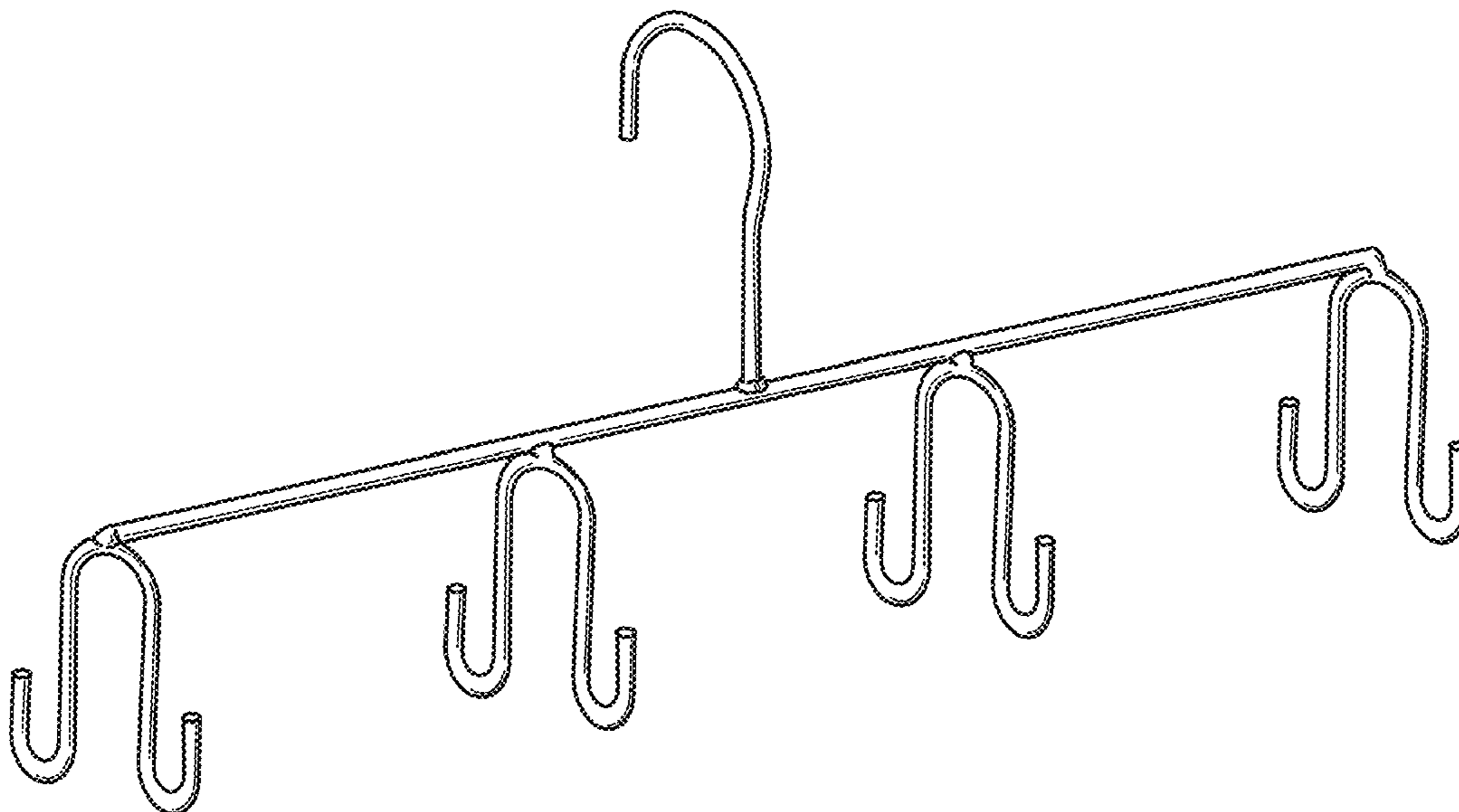
(57) **CLAIM**

We claim the ornamental design for a gun case hanger, as shown and described.

DESCRIPTION

FIG. 1 is a perspective view of a gun case hanger showing our new design;
FIG. 2 is a front view of the gun case hanger of FIG. 1;
FIG. 3 is a left end view of the gun case hanger of FIG. 1;
FIG. 4 is a right end view of the gun case hanger of FIG. 1;
FIG. 5 is a rear side view of the gun case hanger of FIG. 1;
FIG. 6 is a top view of the gun case hanger of FIG. 1; and,
FIG. 7 is a bottom view of the gun case hanger of FIG. 1.

1 Claim, 2 Drawing Sheets



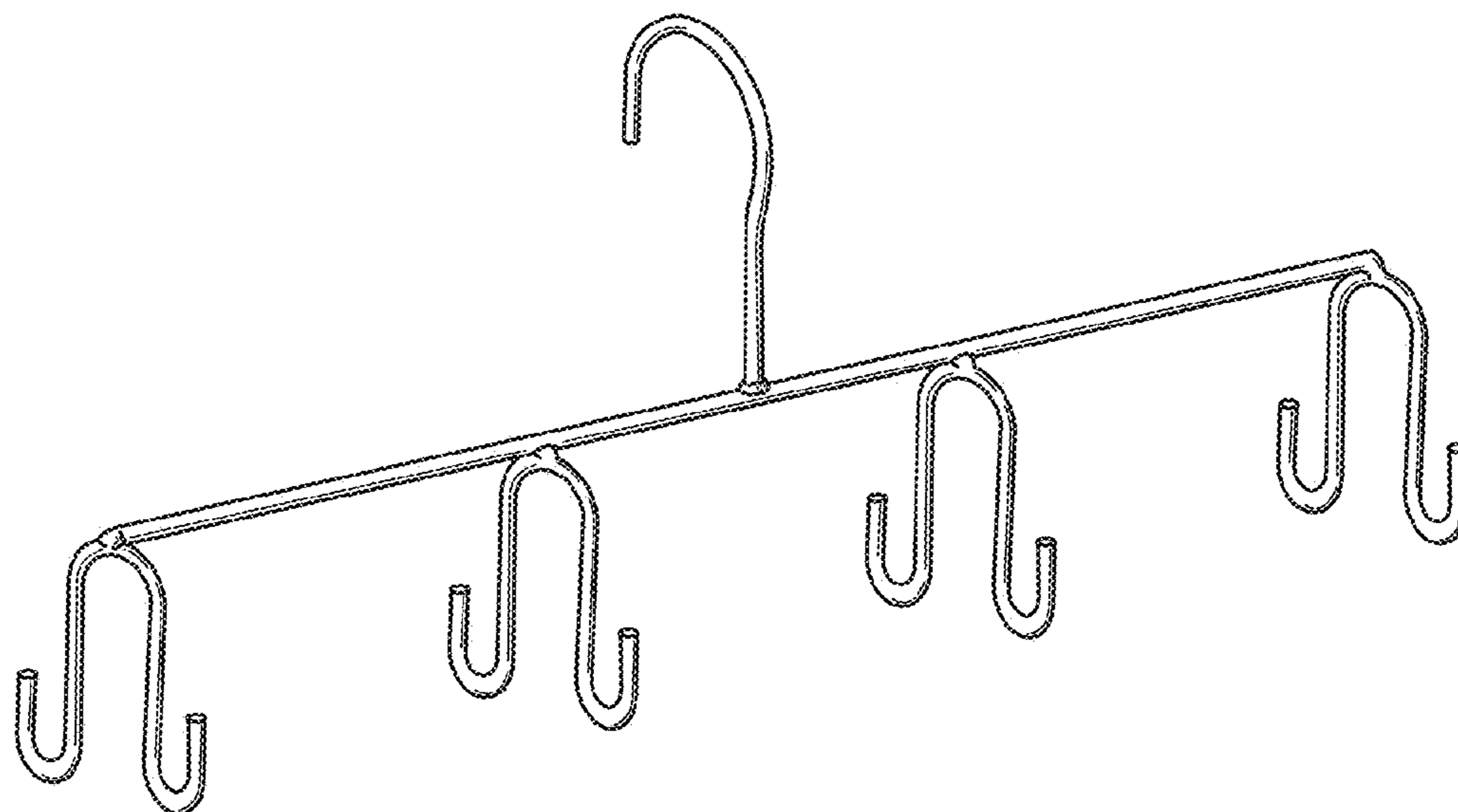


FIG. 1

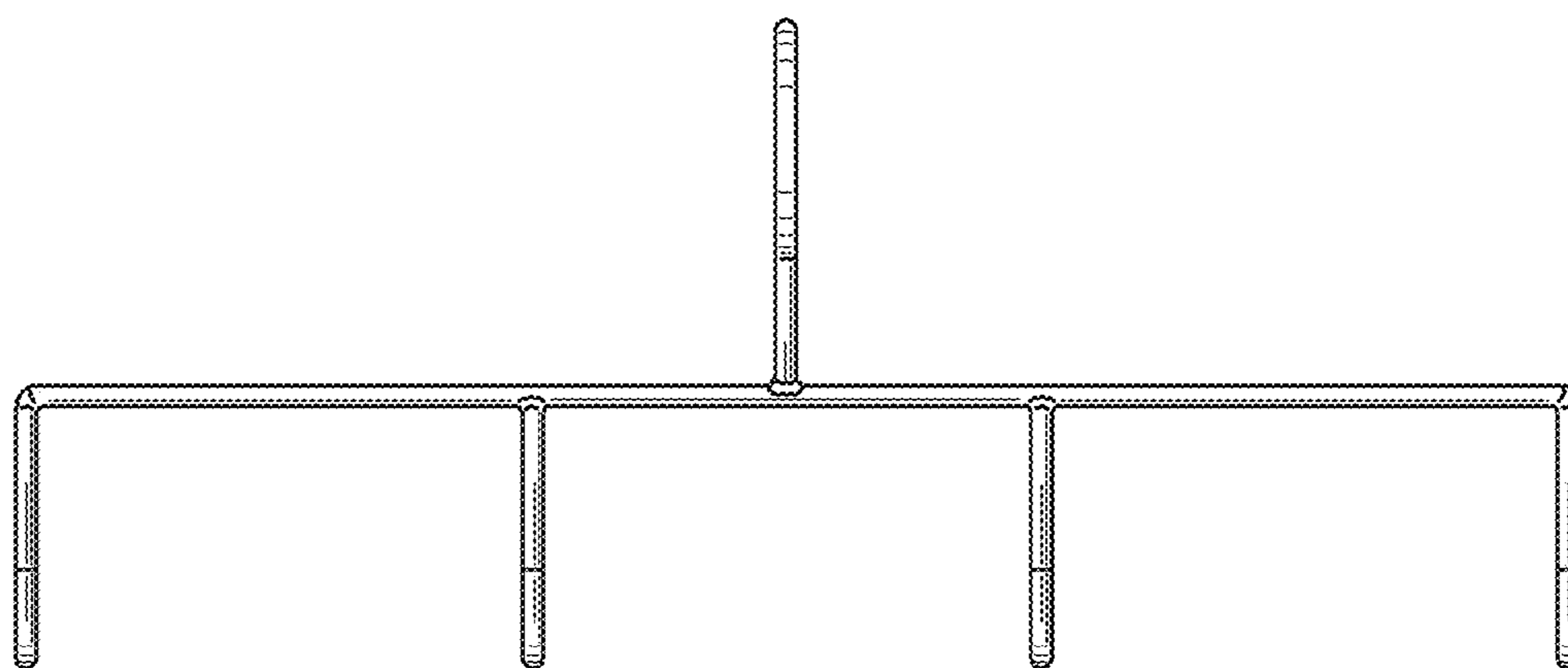


FIG. 2

