



US00D752866S

(12) **United States Design Patent**
Guichot

(10) **Patent No.:** **US D752,866 S**

(45) **Date of Patent:** **** Apr. 5, 2016**

(54) **HANDBAG LOCK**

(71) Applicant: **BALENCIAGA**, Paris (FR)

(72) Inventor: **Isabelle Guichot**, Paris (FR)

(73) Assignee: **BALENCIAGA**, Paris (FR)

(**) Term: **14 Years**

(21) Appl. No.: **29/484,254**

(22) Filed: **Mar. 7, 2014**

(51) **LOC (10) Cl.** **03-01**

(52) **U.S. Cl.**
USPC **D3/318**

(58) **Field of Classification Search**
USPC D3/318
CPC A45C 1/024; A45C 3/06
See application file for complete search history.

(56) **References Cited**

U.S. PATENT DOCUMENTS

- 2,026,663 A * 1/1936 Wunthal A45C 3/06
150/111
- D661,894 S * 6/2012 Sassi D3/245
- D696,017 S * 12/2013 Lagerfeld D3/318

* cited by examiner

Primary Examiner — Holly Baynham

(74) *Attorney, Agent, or Firm* — Donald J. Ranft; Kristen A. Mogavero; Collen IP

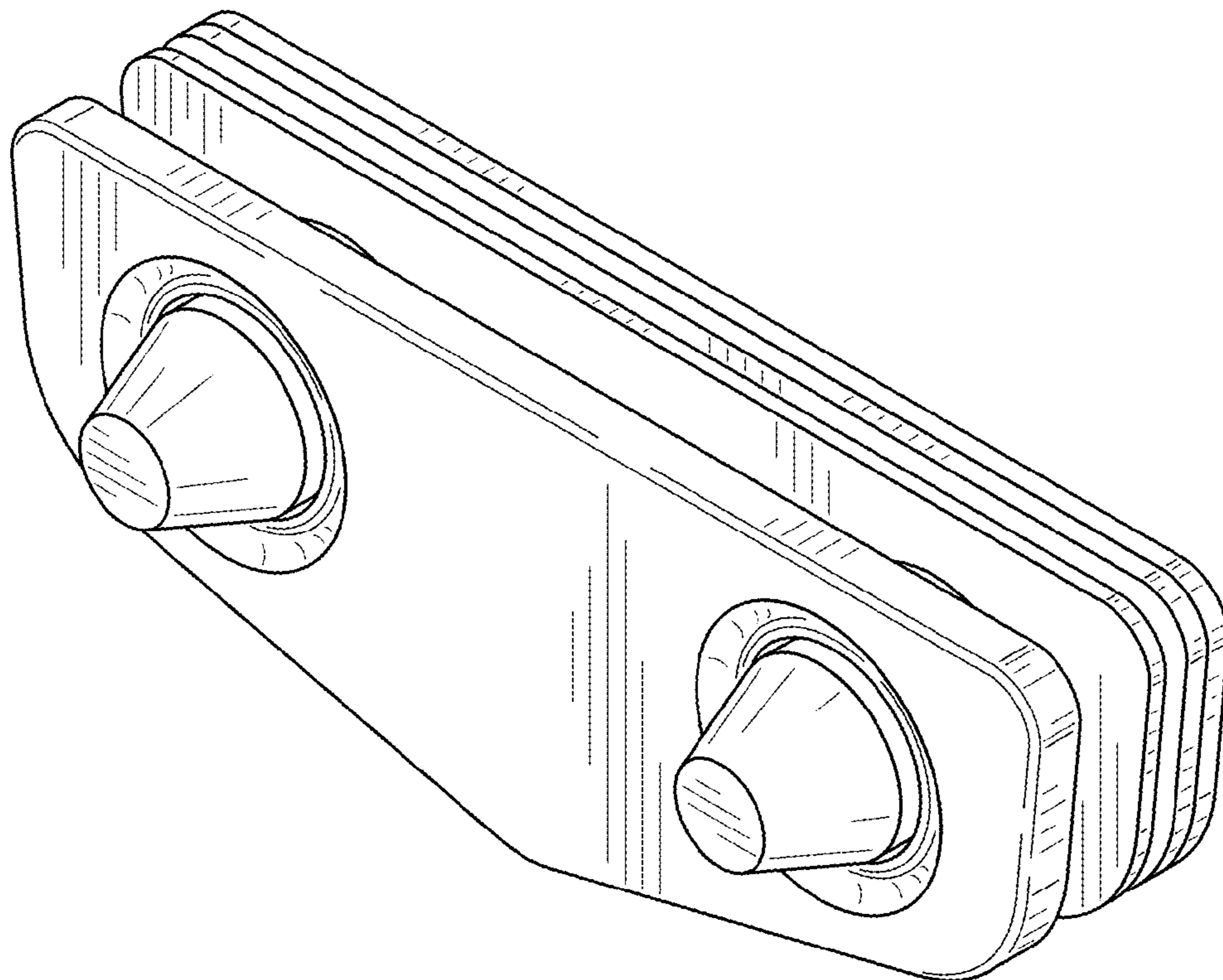
(57) **CLAIM**

The ornamental design for a handbag lock, as shown and described.

DESCRIPTION

FIG. 1 is a front right perspective view of a handbag lock showing my new design;
 FIG. 2 is a front view thereof;
 FIG. 3 is a rear view thereof;
 FIG. 4 is a left side view thereof;
 FIG. 5 is a right side view thereof;
 FIG. 6 is a top view thereof;
 FIG. 7 is a bottom view thereof;
 FIG. 8 is a reduced scale, environmental perspective view thereof; and,
 FIG. 9 is a rear perspective view of bag in open position thereof.
 The broken lines showing a bag is for the purposes of illustrating environment and form no part of the claimed design. The elements of the bag lock are shown detached in the drawing views of FIGS. 8 and 9 for clarity of illustration.

1 Claim, 4 Drawing Sheets



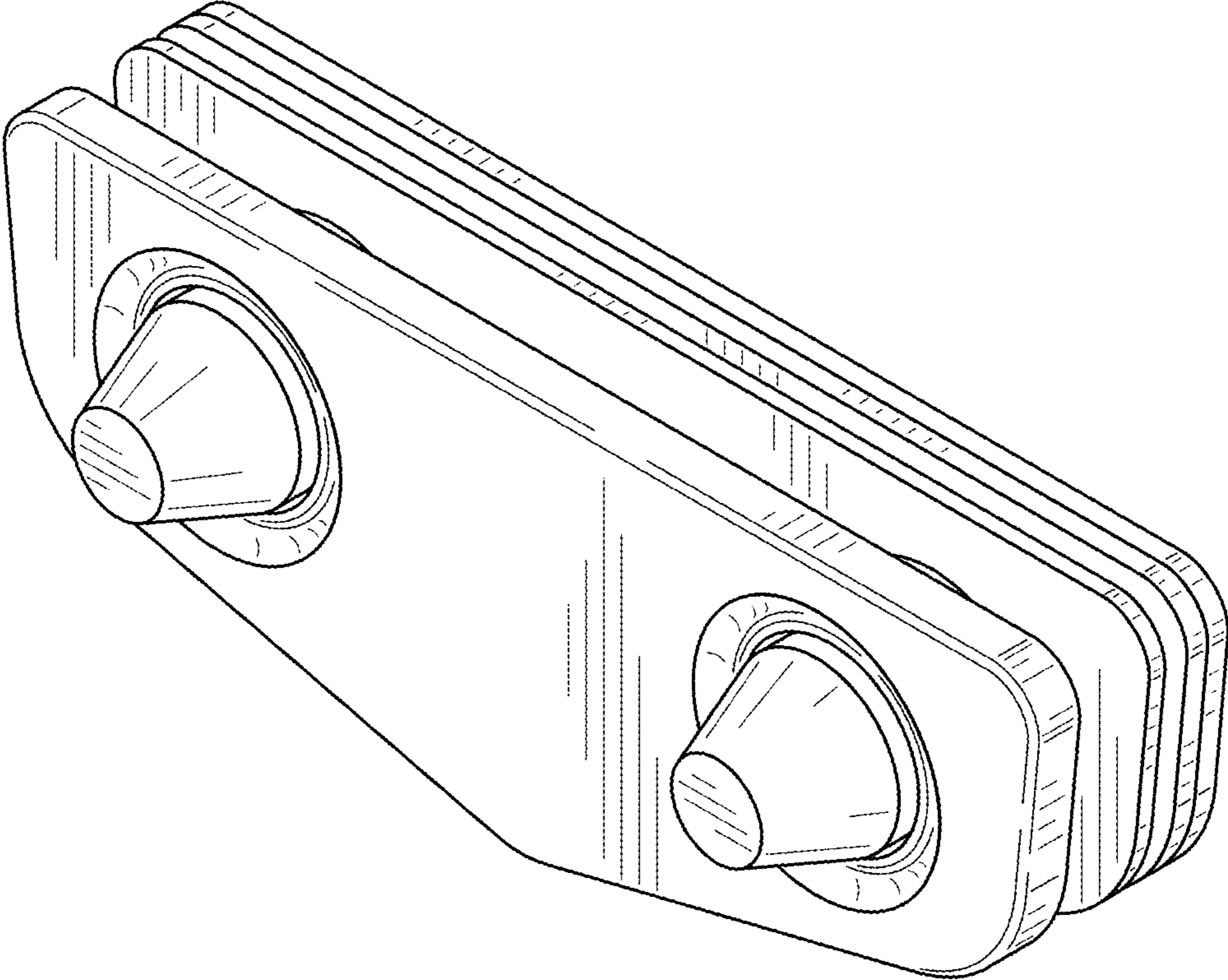


FIG. 1

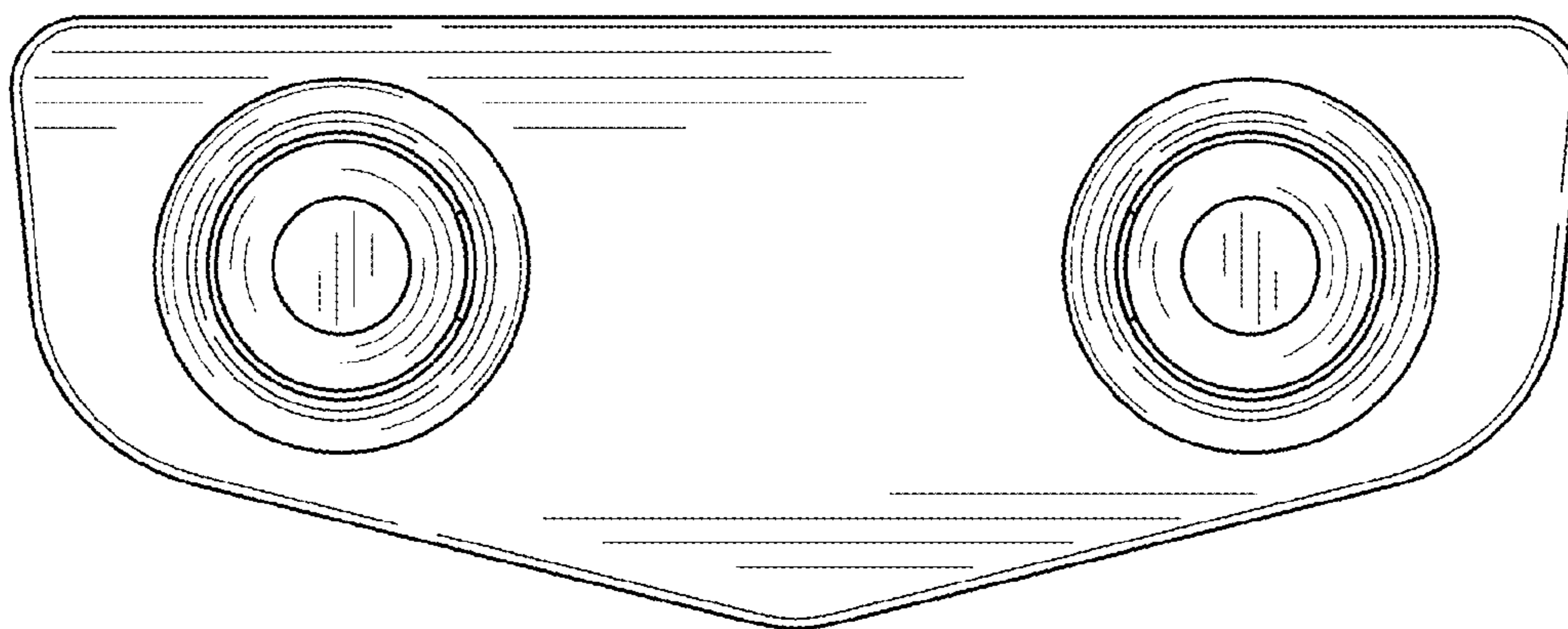


FIG. 2

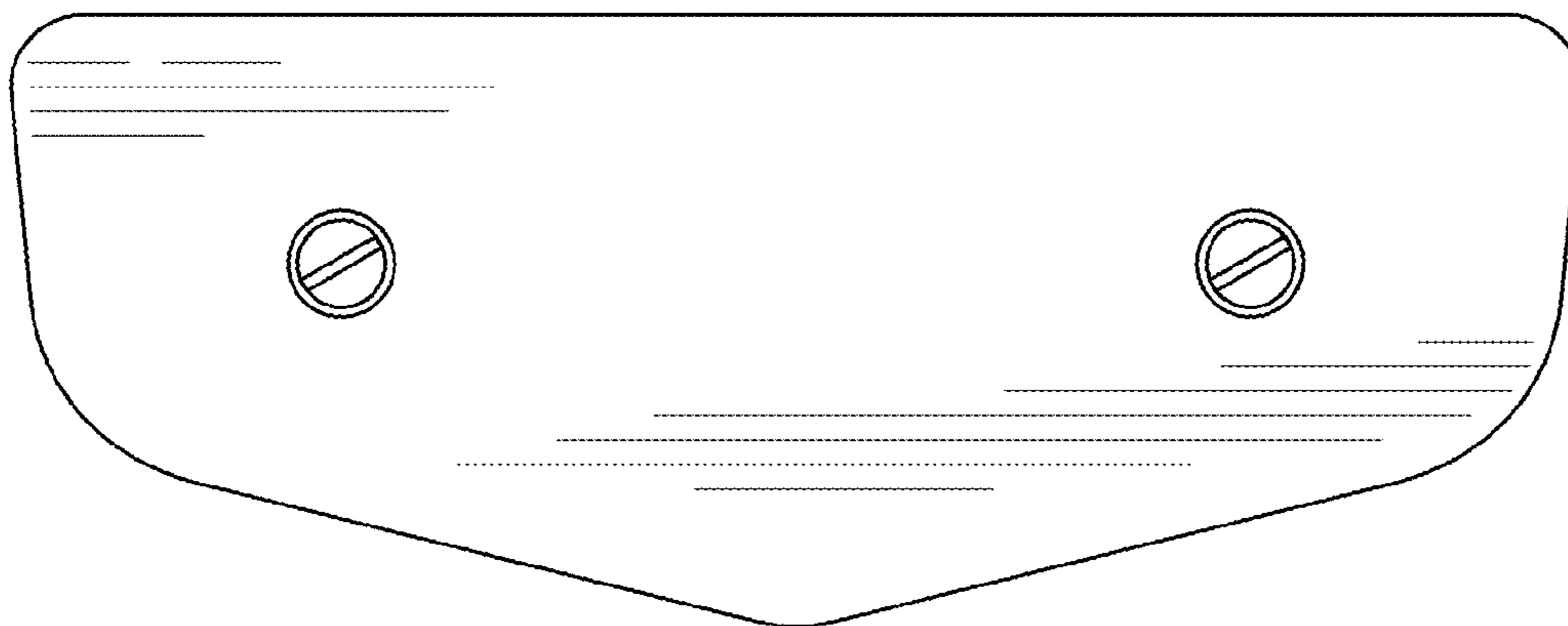


FIG. 3

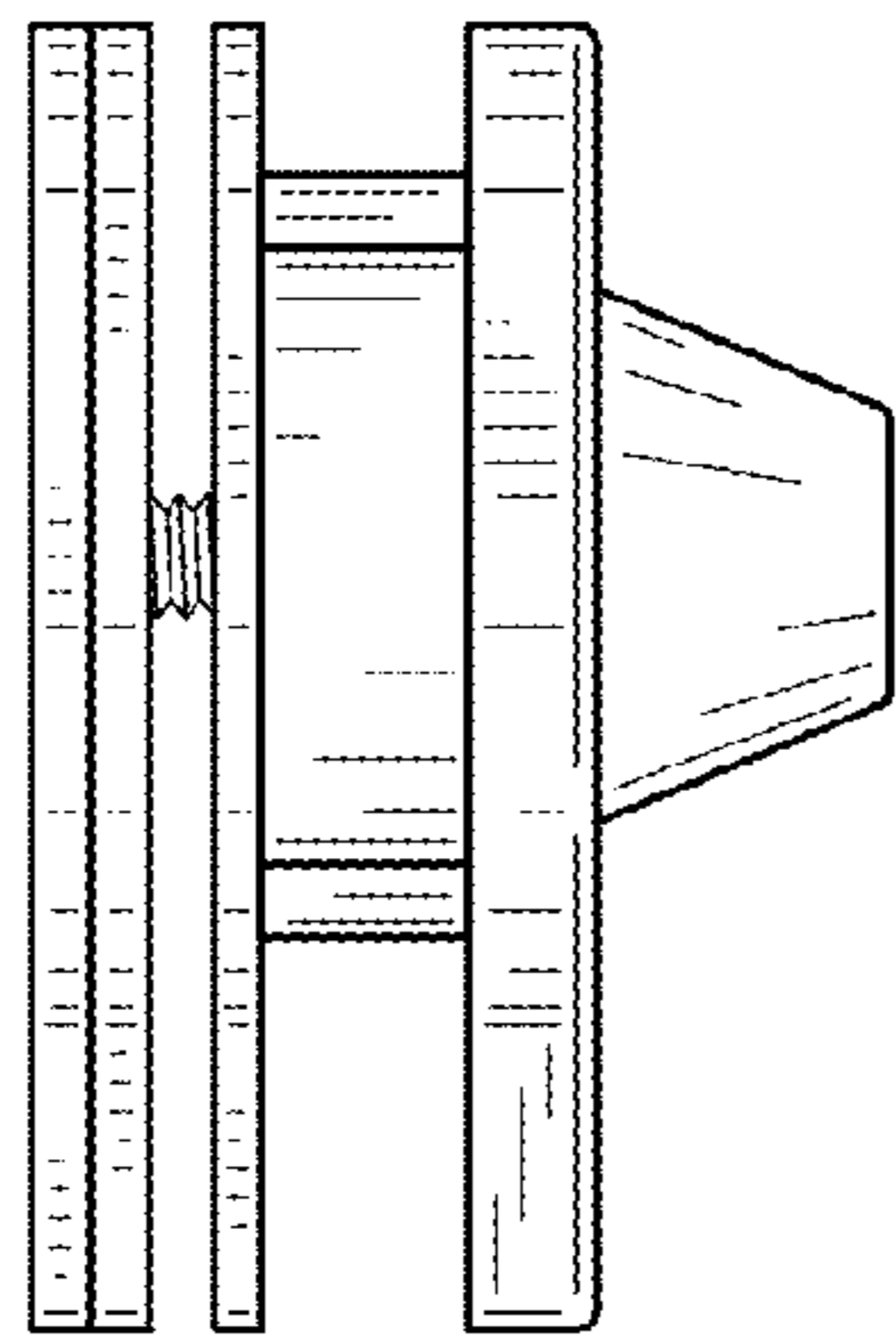


FIG. 4

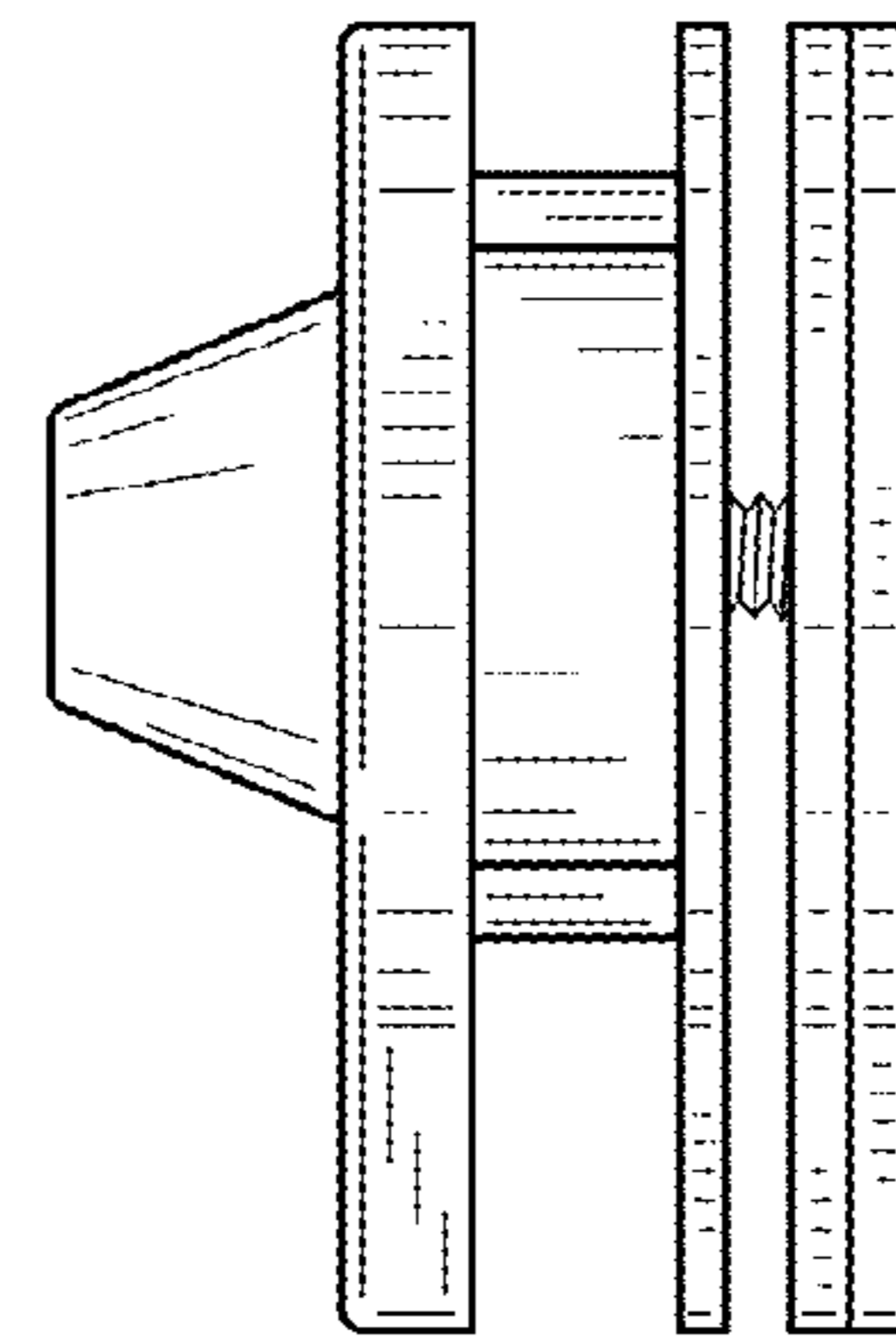


FIG. 5

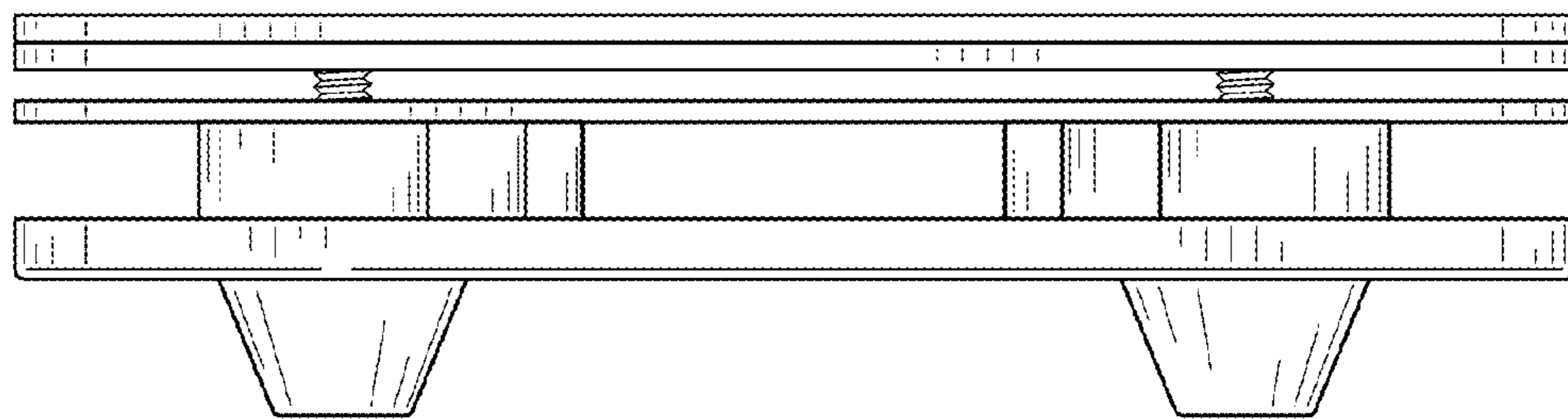


FIG. 6

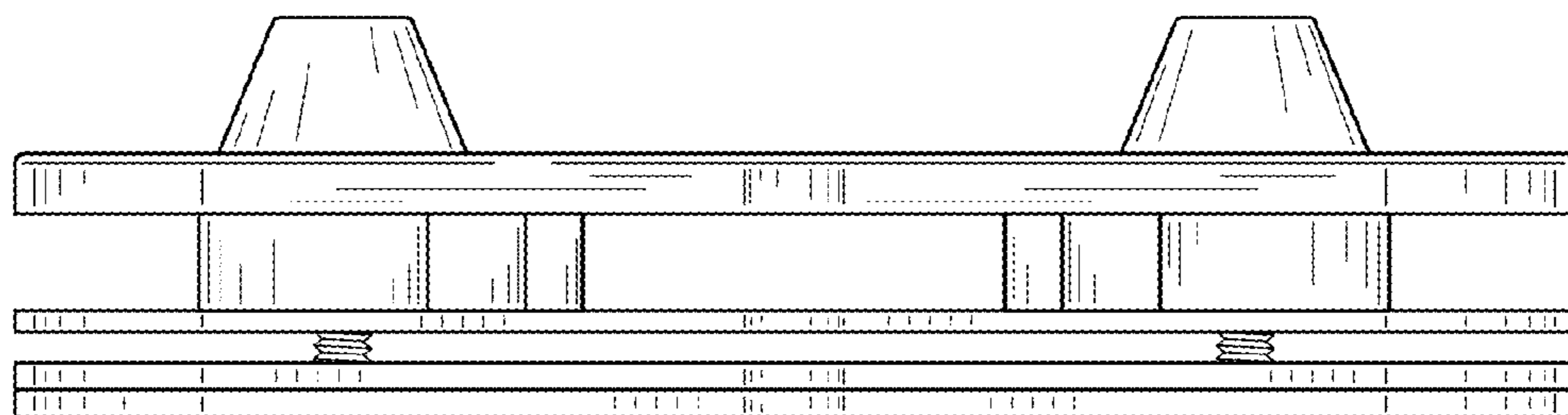


FIG. 7

