



US00D752865S

(12) **United States Design Patent**
Hecht et al.

(10) **Patent No.:** **US D752,865 S**
(45) **Date of Patent:** **** Apr. 5, 2016**

(54) **STORAGE COMPONENT**

(71) Applicant: **Herman Miller, Inc.**, Zeeland, MI (US)

(72) Inventors: **Sam Hecht**, London (GB); **Kimberlee Colin**, London (GB); **Philipp Von Lintel**, London (GB); **Ippei Matsumoto**, London (GB)

(73) Assignee: **Herman Miller, Inc.**, Zeeland, MI (US)

(**) Term: **15 Years**

(21) Appl. No.: **29/538,619**

(22) Filed: **Sep. 4, 2015**

Related U.S. Application Data

(62) Division of application No. 29/457,260, filed on Jun. 7, 2013, now abandoned.

(51) **LOC (10) Cl.** **03-01**

(52) **U.S. Cl.**
USPC **D3/307**

(58) **Field of Classification Search**
USPC D3/203.1, 203.3, 205-206, 273, 276,
D3/304-305, 307; D6/475-476, 525;
D19/75, 77, 86, 90, 92, 100; 206/203,
206/214-215, 822, 307.1; 229/100, 406,
229/913-914

CPC B65D 1/34; B65D 21/0204; B65D 43/162
See application file for complete search history.

(56) **References Cited**

U.S. PATENT DOCUMENTS

D160,744 S *	10/1950	Rizzuto	D3/313
5,215,205 A *	6/1993	Behlman	B60R 7/02 220/4.31
D510,481 S *	10/2005	Hodgson	D3/304
D515,114 S *	2/2006	Grobleben	D15/89
D650,397 S *	12/2011	Hartsfield, Jr.	D15/89
D676,468 S *	2/2013	Lee	D15/89

* cited by examiner

Primary Examiner — Kelley Donnelly

(74) *Attorney, Agent, or Firm* — Michael Best & Friedrich LLP

(57) **CLAIM**

We claim the ornamental design for a storage component, as shown and described.

DESCRIPTION

FIG. 1 is a perspective view of a first embodiment of a storage component.

FIG. 2 is right side view of the storage component shown in FIG. 1, with a left side view being a mirror image thereof.

FIG. 3 is a front view of the storage component shown in FIG. 1.

FIG. 4 is a rear view of the storage component shown in FIG. 1.

FIG. 5 is a top view of the storage component shown in FIG. 1; and,

FIG. 6 is a bottom view of the storage component shown in FIG. 1.

The broken lines shown in the Figures are for environmental purposes only and do not form any part of the claimed design.

1 Claim, 1 Drawing Sheet

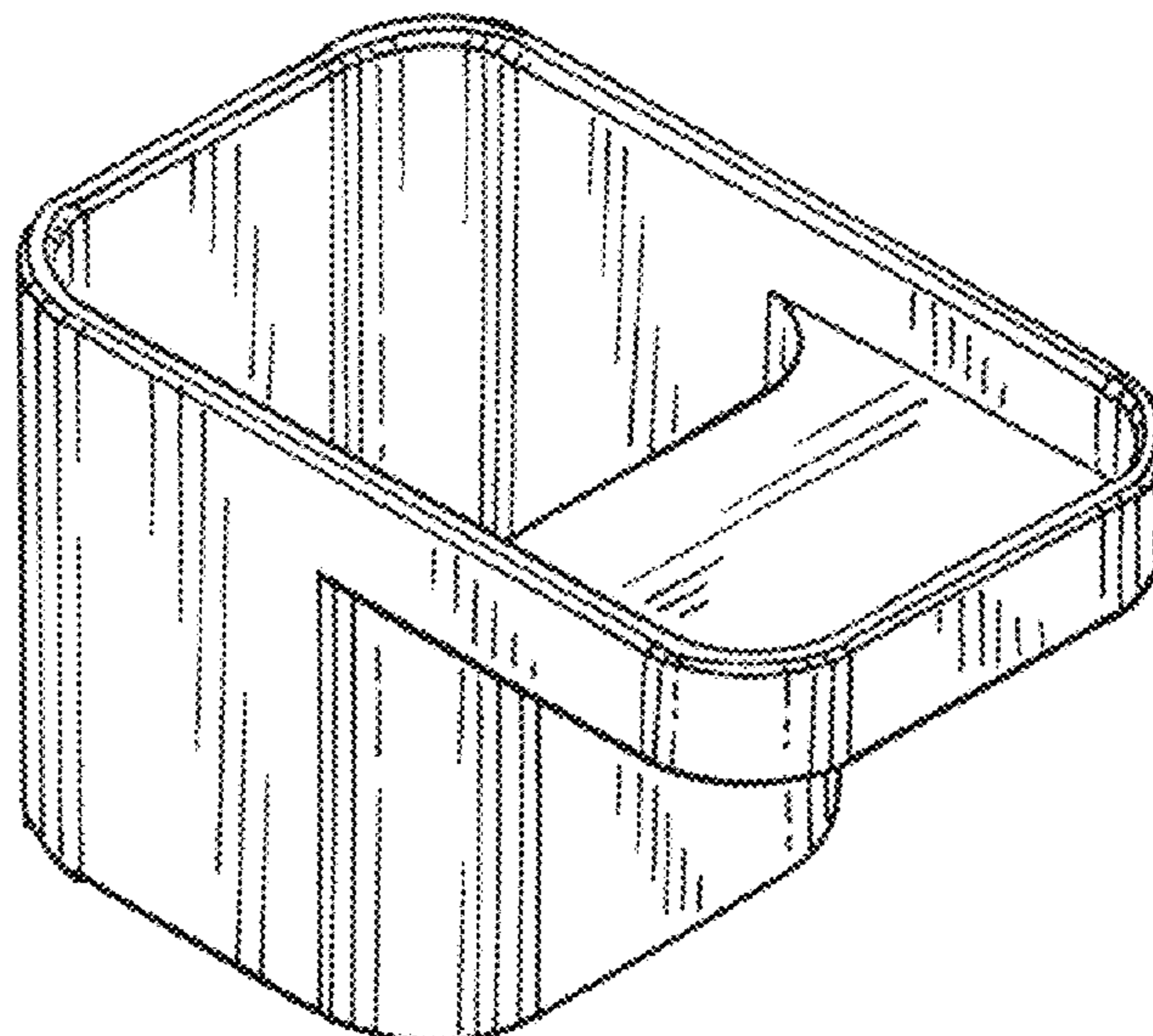


FIG. 1

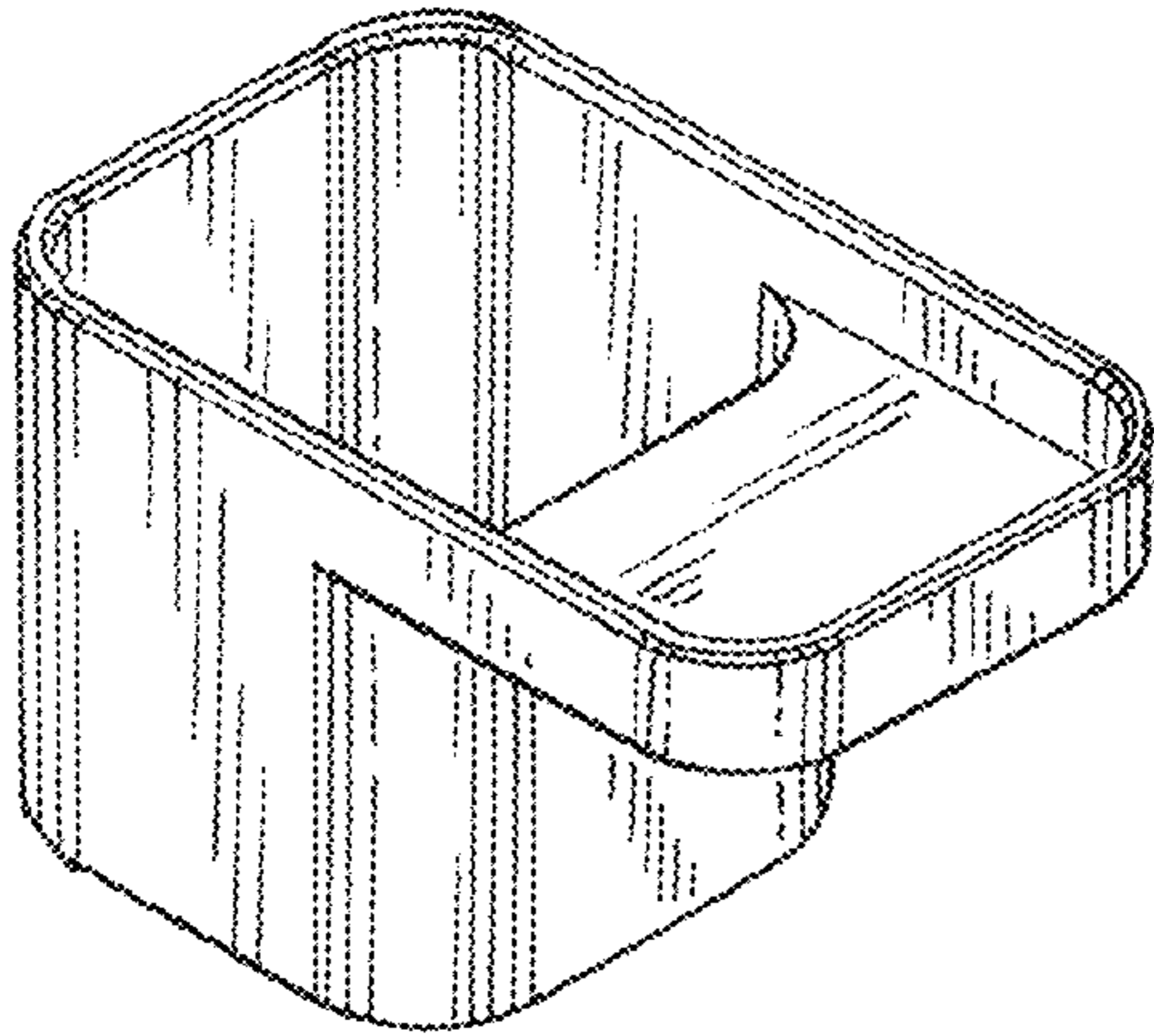


FIG. 3

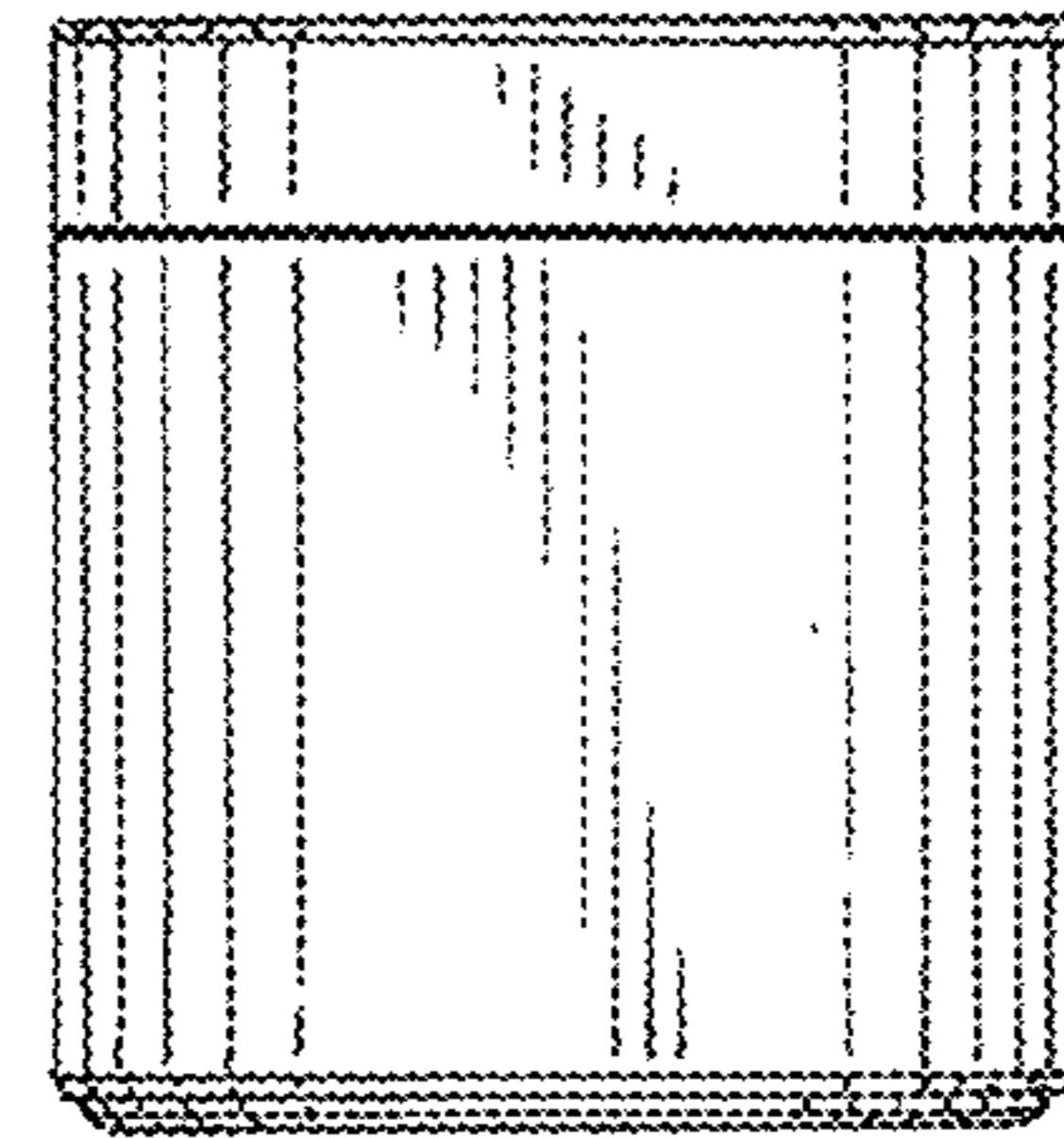


FIG. 5

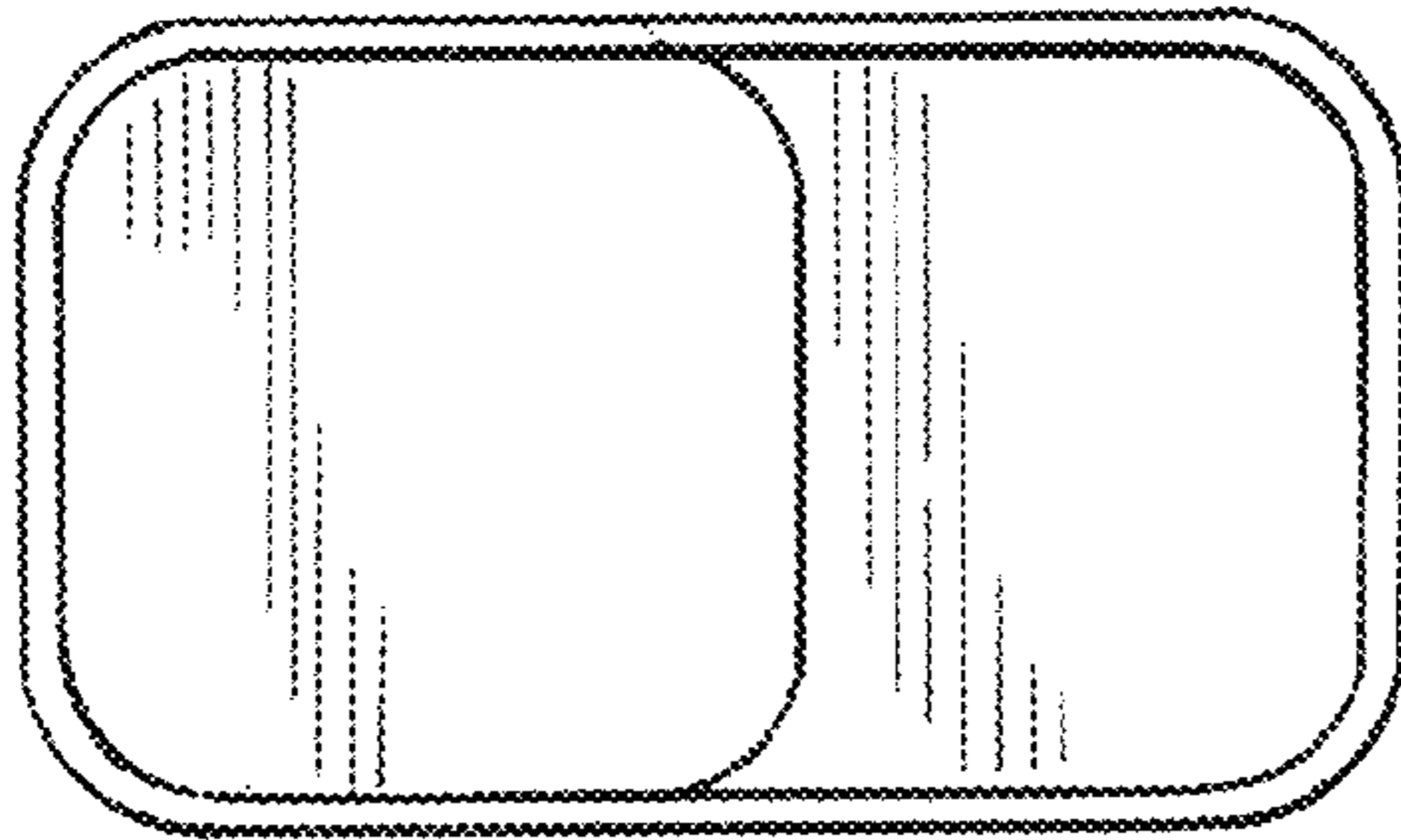


FIG. 4

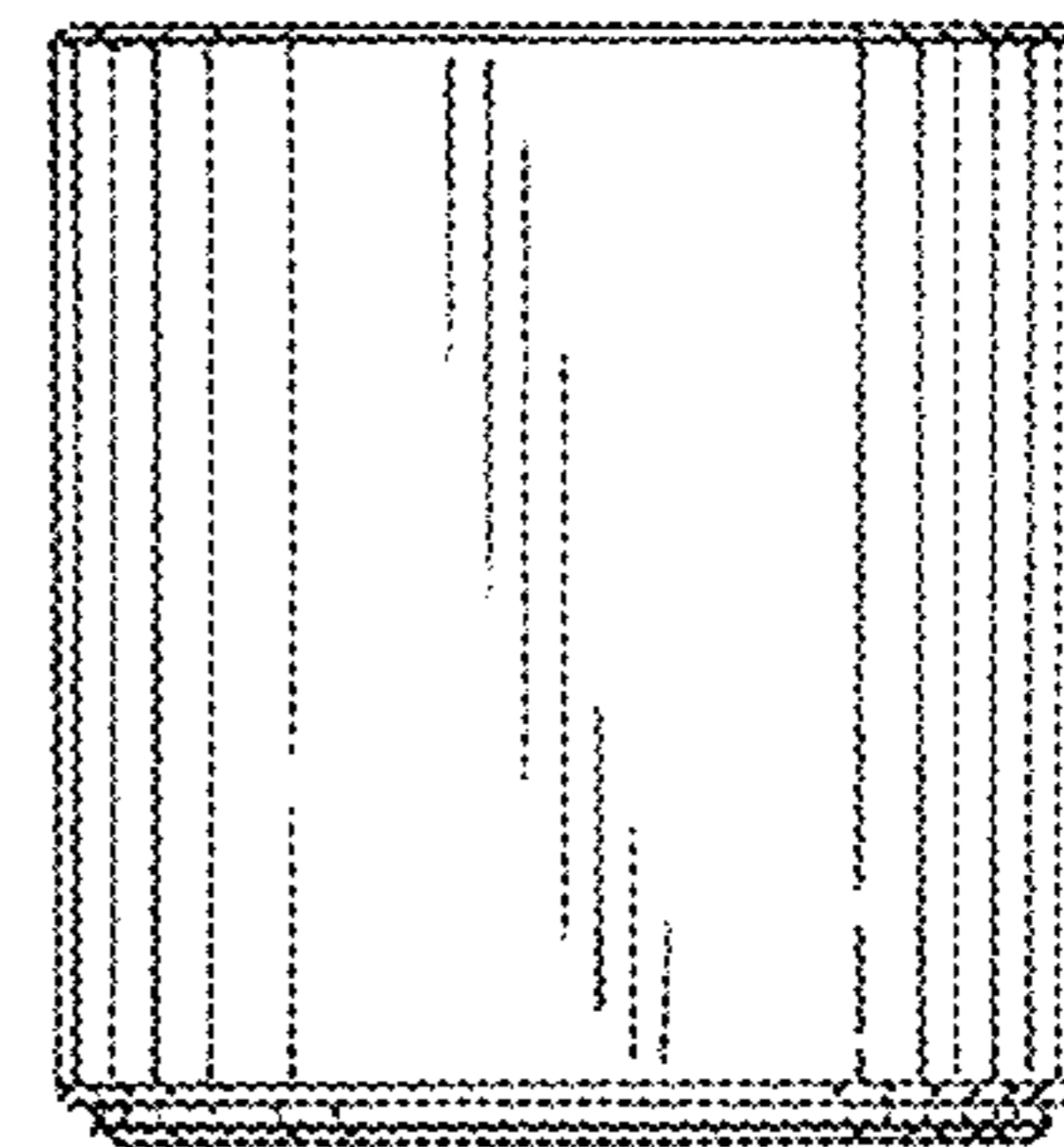


FIG. 2

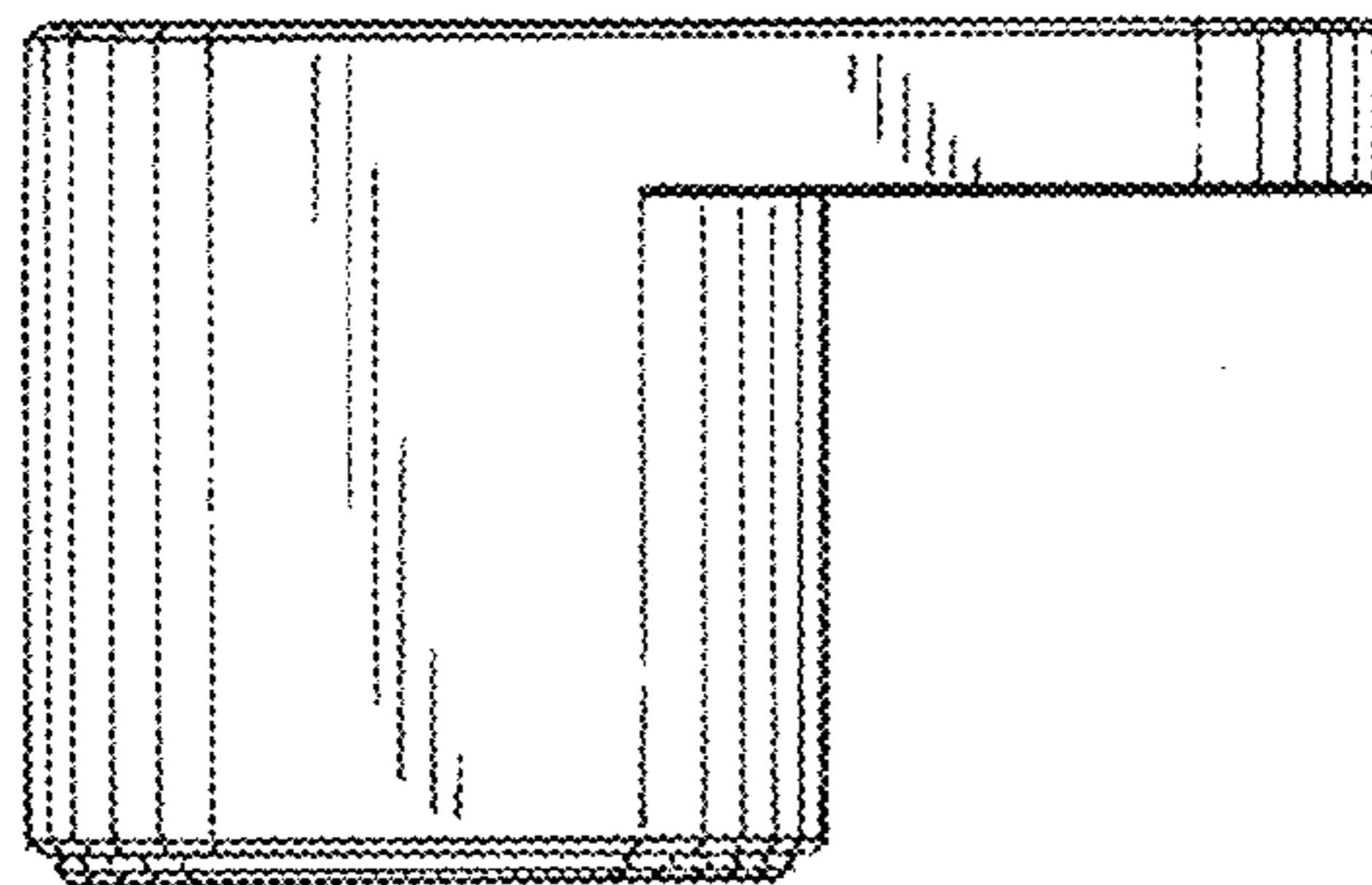


FIG. 6

