



US00D752863S

(12) **United States Design Patent**
Torggler

(10) **Patent No.:** **US D752,863 S**
(45) **Date of Patent:** **** Apr. 5, 2016**

(54) **CONTAINER WITH COVER**

(71) Applicant: **Klemens Torggler**, Vienna (AT)

(72) Inventor: **Klemens Torggler**, Vienna (AT)

(**) Term: **14 Years**

(21) Appl. No.: **29/521,323**

(22) Filed: **Mar. 23, 2015**

(30) **Foreign Application Priority Data**

Sep. 24, 2014 (EM) 2543751/0001

(51) **LOC (10) Cl.** **03-01**

(52) **U.S. Cl.**
USPC **D3/299**; D3/273; D3/315

(58) **Field of Classification Search**
USPC D9/414–418, 420–425, 430–434, 737,
D9/761; D3/273, 299, 201, 218, 294, 298,
D3/315, 901, 903; 206/457, 503, 508, 509,
206/551, 746, 784, 822, 823, 581; 229/406,
229/407, 902, 905, 906, 938, 461, 541;
D14/345, 440, 441, 250; D13/184;
D28/73, 76–84, 91; 132/286–288,
132/293–301, 314–316
CPC A45D 40/22; B65D 2543/00194;
B65D 2543/00296; B65D 2543/00361
See application file for complete search history.

(56) **References Cited**

U.S. PATENT DOCUMENTS

- D241,016 S * 8/1976 Reynold D9/737
- D254,842 S * 4/1980 Berner 30/124
- 5,427,428 A * 6/1995 Ericson B60J 7/141
160/231.1
- D359,904 S * 7/1995 Mabry D9/431
- D398,527 S * 9/1998 Maceachern D9/420
- D411,767 S * 7/1999 Keller D28/83
- D412,786 S * 8/1999 Killinger D3/273
- D420,586 S * 2/2000 MacEachern D9/420
- D433,629 S * 11/2000 Clarke D9/415
- D452,148 S * 12/2001 Friedberg D9/423
- D460,690 S * 7/2002 Doerschlag D3/203.2

- D462,518 S * 9/2002 Truffier-Blanc D3/273
- D547,175 S * 7/2007 Berg D9/420
- D577,904 S * 10/2008 Sasaki D3/201
- D584,612 S * 1/2009 Ianello D9/435
- D620,788 S * 8/2010 Hainaut D9/420
- D623,055 S * 9/2010 Sano D9/422
- D632,016 S * 2/2011 Lee D28/83
- D656,789 S * 4/2012 Locke D7/541
- D666,878 S * 9/2012 Siegel D7/629
- D705,531 S * 5/2014 Johnson D3/201
- D705,534 S * 5/2014 Manjerico D3/218
- 2008/0035717 A1 * 2/2008 Turvey B65D 11/186
229/117.02
- 2013/0133686 A1 * 5/2013 Shteysel A45D 40/24
132/314
- 2014/0346168 A1 * 11/2014 Wang B65D 21/083
220/23.83
- 2015/0282588 A1 * 10/2015 Hynek A45D 33/008
132/315

FOREIGN PATENT DOCUMENTS

AT 510 570 5/2012

OTHER PUBLICATIONS

Wooden mac container, available Sep. 19, 2010, [online], [site visited Oct. 31, 2015]. Available from internet, <URL: <https://www.flickr.com/photos/mortenjust/5011166371>.*

The torggler box, available Mar. 8, 2014, [online], [site visited Oct. 31, 2015]. Available from internet, <URL: <http://www.thingiverse.com/thing:266791>.*

Torggler, Klemens; “Evolution Door” YouTube video; Published Jun. 3, 2013; https://www.youtube.com/watch?v=umfvm8I9_oU ; (43 still screen images of video submitted in pdf format).

* cited by examiner

Primary Examiner — Cathron Brooks

Assistant Examiner — Teddy Falloway

(74) *Attorney, Agent, or Firm* — Wenderoth, Lind & Ponack, L.L.P.

(57) **CLAIM**

The ornamental design for a container with cover, as shown in the drawings and described above.

DESCRIPTION

FIG. 1 is a front perspective view of the container with cover of the present invention in a closed position;

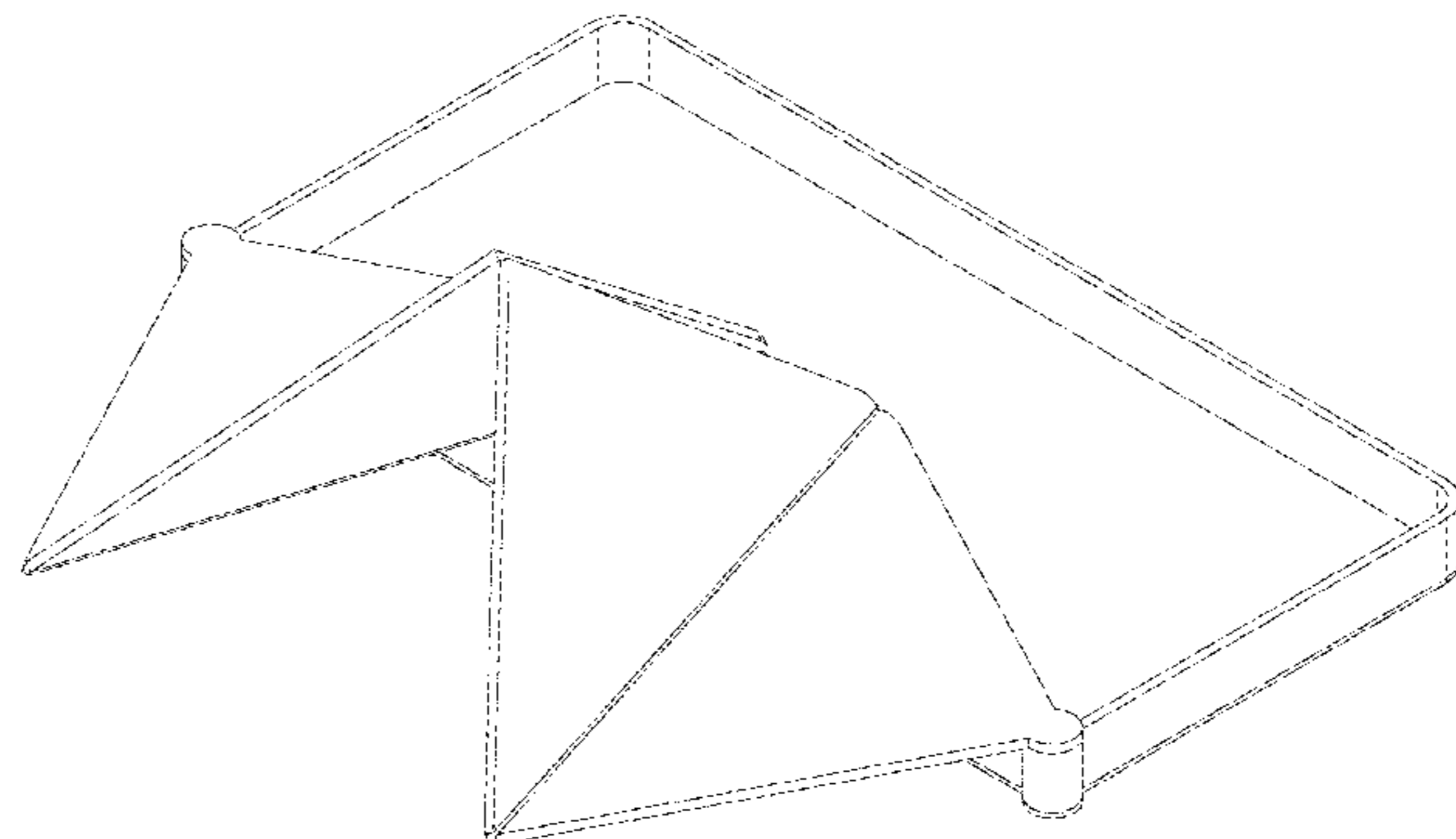
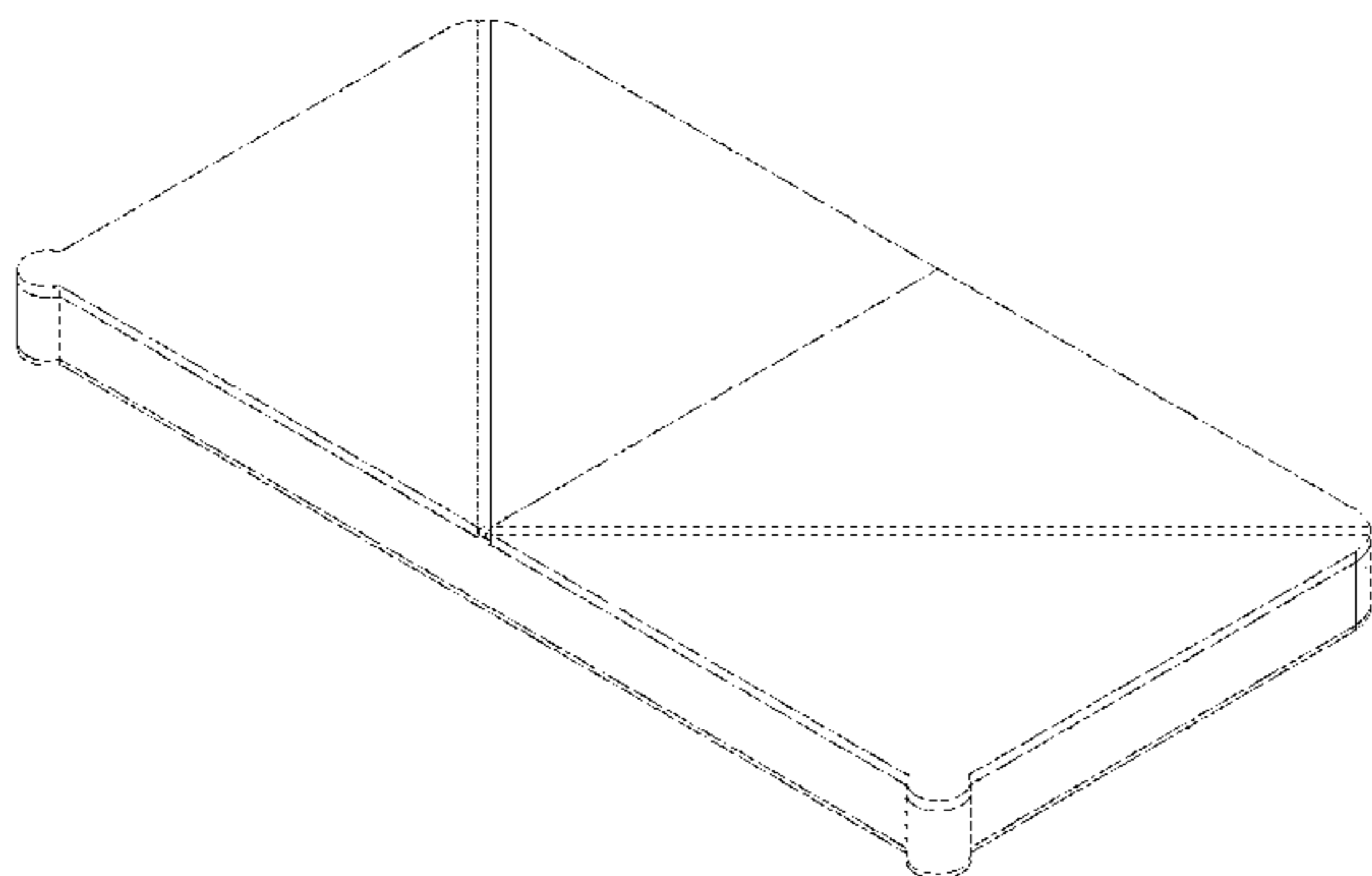
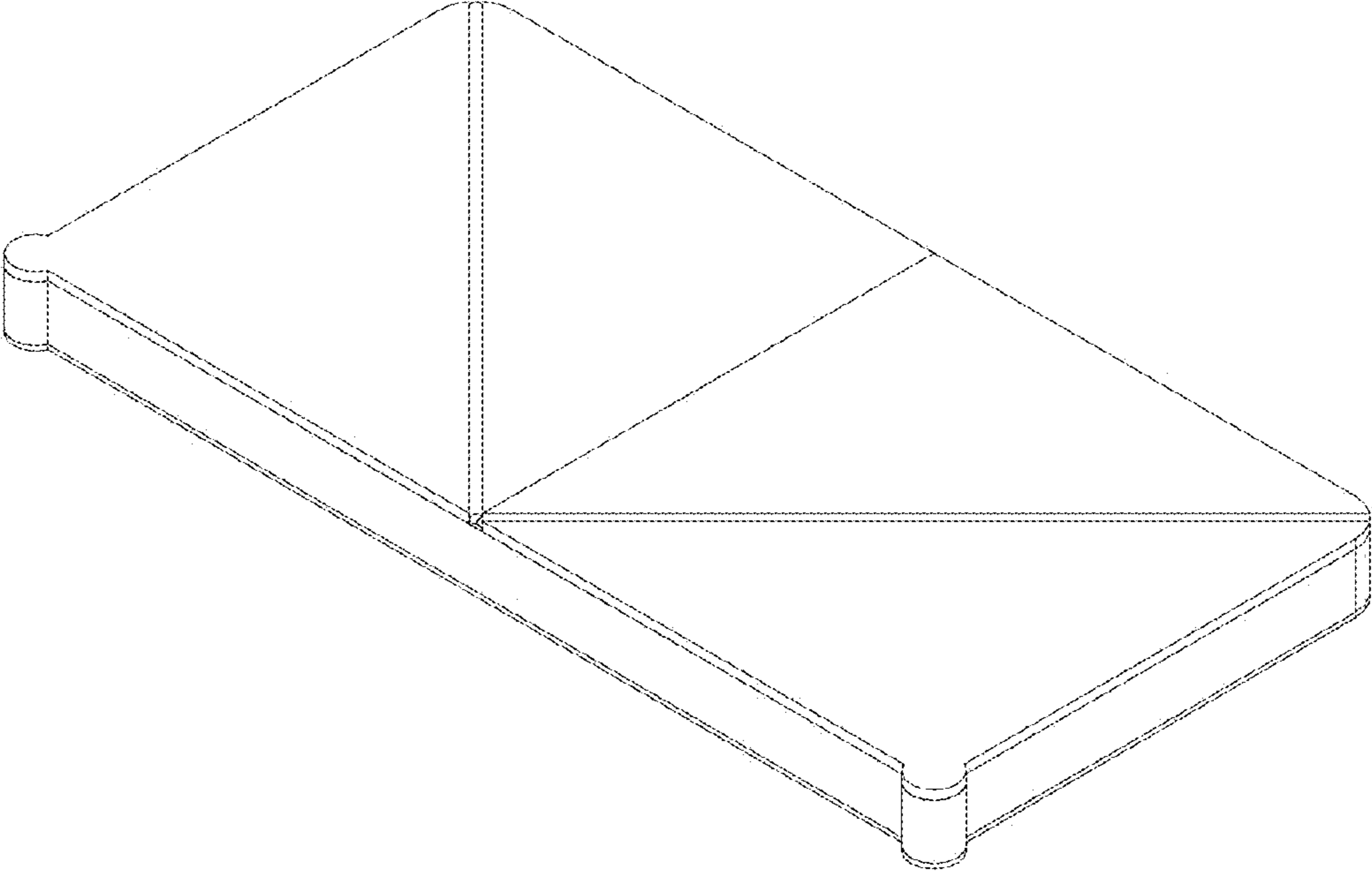


FIG. 2 is a front view of the container with cover of the present invention in the closed position;
FIG. 3 is a rear view of the container with cover of the present invention in the closed position;
FIG. 4 is a bottom view of the container with cover of the present invention in the closed position;
FIG. 5 is a top view of the container with cover of the present invention in the closed position;
FIG. 6 is a left view of the container with cover of the present invention in the closed position;
FIG. 7 is a right view of the container with cover of the present invention in the closed position;
FIG. 8 is a front perspective view of the container with cover of the present invention in a first intermediate position;
FIG. 9 is a front view of the container with cover of the present invention in the first intermediate position;
FIG. 10 is a rear view of the container with cover of the present invention in the first intermediate position;
FIG. 11 is a bottom view of the container with cover of the present invention in the first intermediate position;
FIG. 12 is a top view of the container with cover of the present invention in the first intermediate position;
FIG. 13 is a left view of the container with cover of the present invention in the first intermediate position;
FIG. 14 is a right view of the container with cover of the present invention in the first intermediate position;
FIG. 15 is a front perspective view of the container with cover of the present invention in a second intermediate position;
FIG. 16 is a front view of the container with cover of the present invention in the second intermediate position;
FIG. 17 is a rear view of the container with cover of the present invention in the second intermediate position;
FIG. 18 is a bottom view of the container with cover of the present invention in the second intermediate position;
FIG. 19 is a top view of the container with cover of the present invention in the second intermediate position;

FIG. 20 is a left view of the container with cover of the present invention in the second intermediate position;
FIG. 21 is a right view of the container with cover of the present invention in the second intermediate position;
FIG. 22 is a front left perspective view of the container with cover of the present invention in a third intermediate position;
FIG. 23 is a front right perspective view of the container with cover of the present invention in the third intermediate position;
FIG. 24 is a front view of the container with cover of the present invention in the third intermediate position;
FIG. 25 is a rear view of the container with cover of the present invention in the third intermediate position;
FIG. 26 is a bottom view of the container with cover of the present invention in the third intermediate position;
FIG. 27 is a top view of the container with cover of the present invention in the third intermediate position;
FIG. 28 is a left view of the container with cover of the present invention in the third intermediate position;
FIG. 29 is a right view of the container with cover of the present invention in the third intermediate position;
FIG. 30 is a front perspective view of the container with cover of the present invention in an open position;
FIG. 31 is a front view of the container with cover of the present invention in the open position;
FIG. 32 is a rear view of the container with cover of the present invention in the open position;
FIG. 33 is a bottom view of the container with cover of the present invention in the open position;
FIG. 34 is a top view of the container with cover of the present invention in the open position;
FIG. 35 is a left view of the container with cover of the present invention in the open position; and,
FIG. 36 is a right view of the container with cover of the present invention in the open position.

1 Claim, 31 Drawing Sheets

Fig. 1



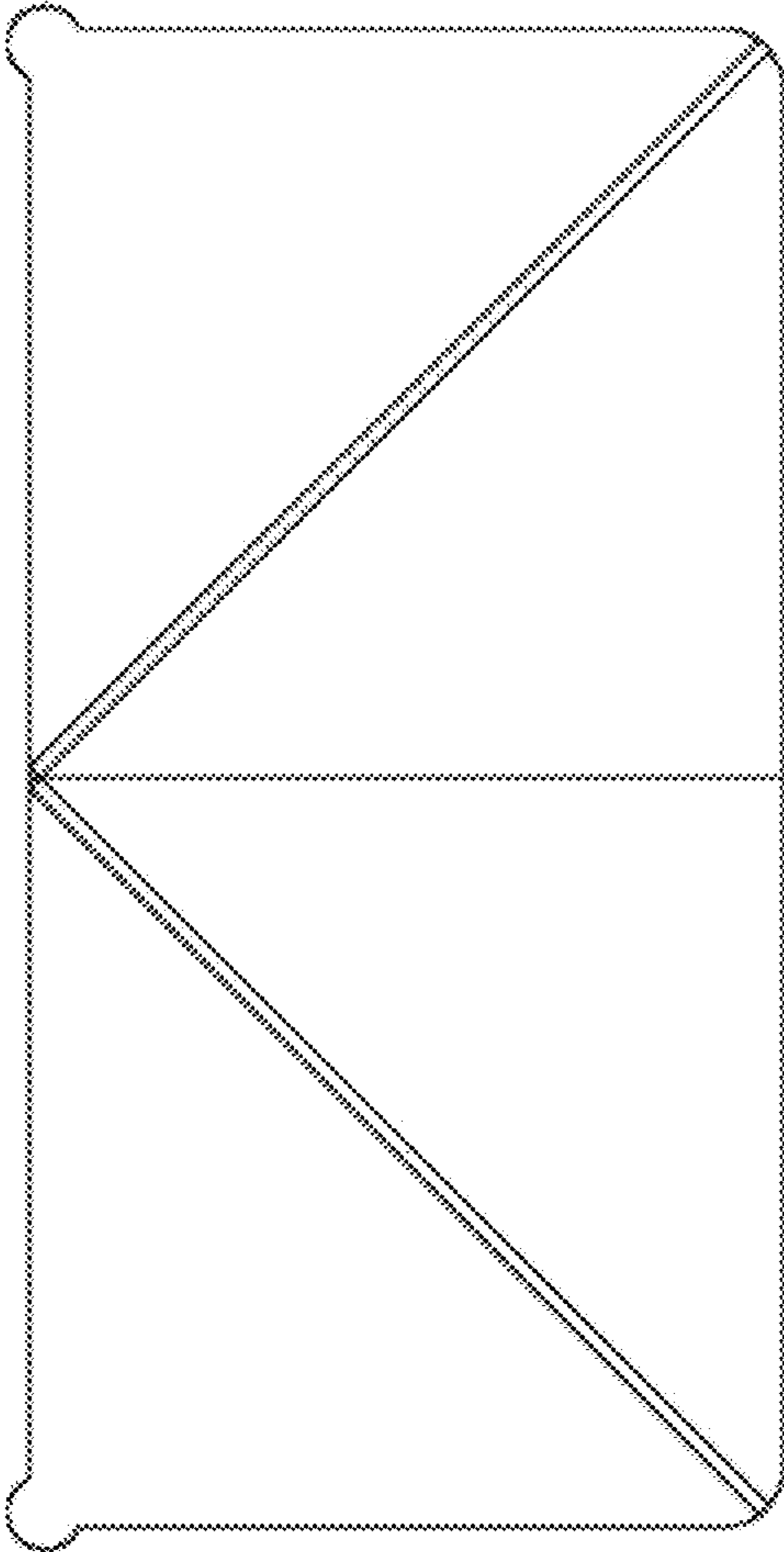


Fig. 2

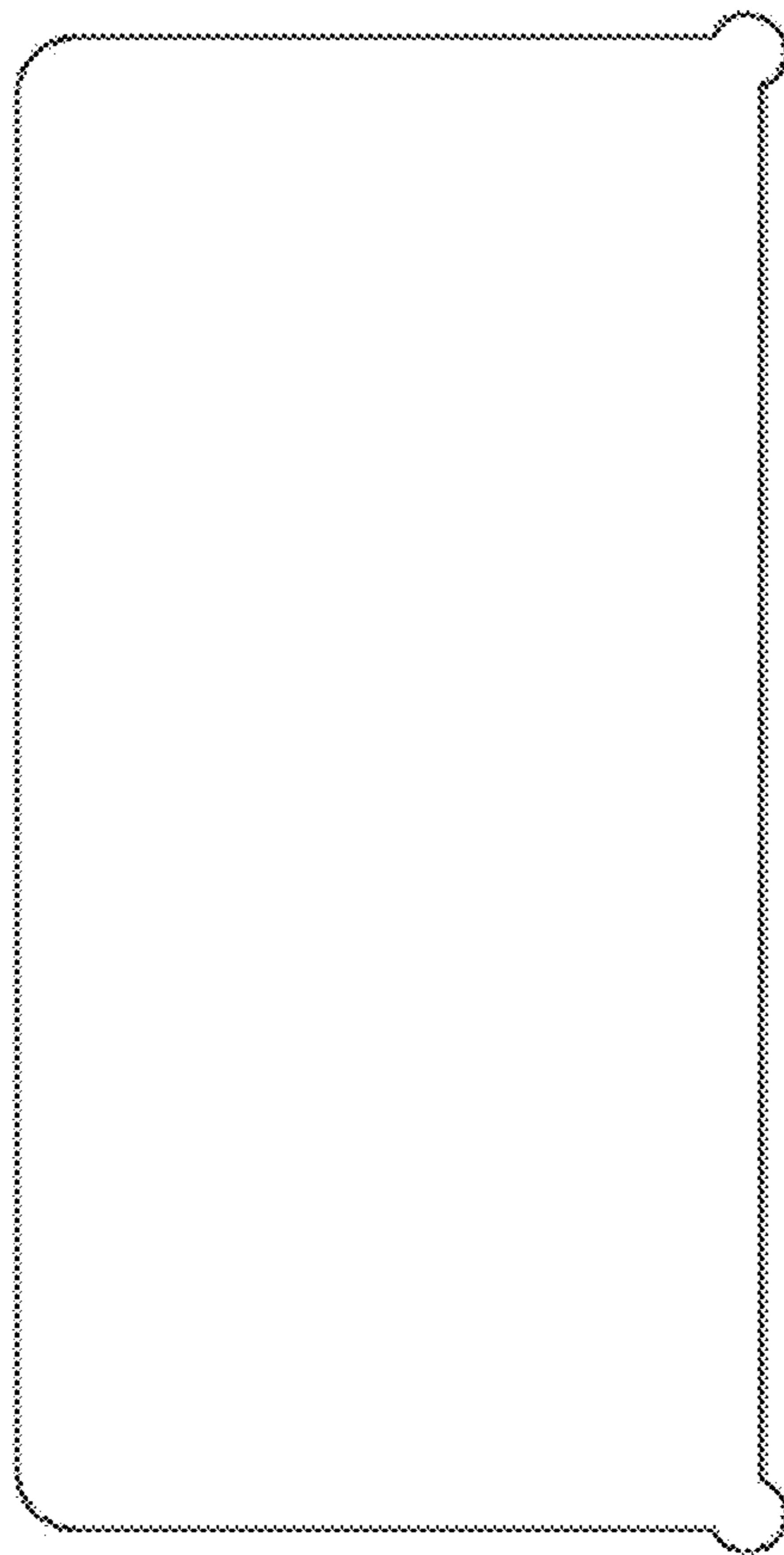


Fig. 3



Fig. 4



Fig. 5

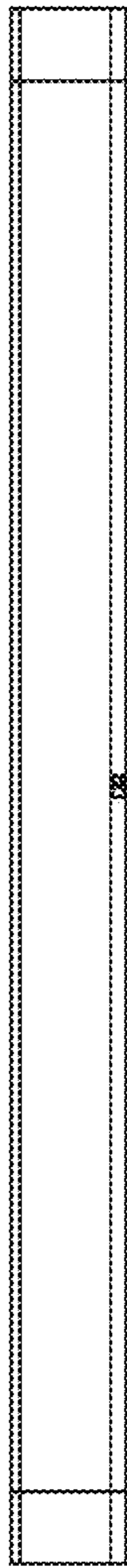
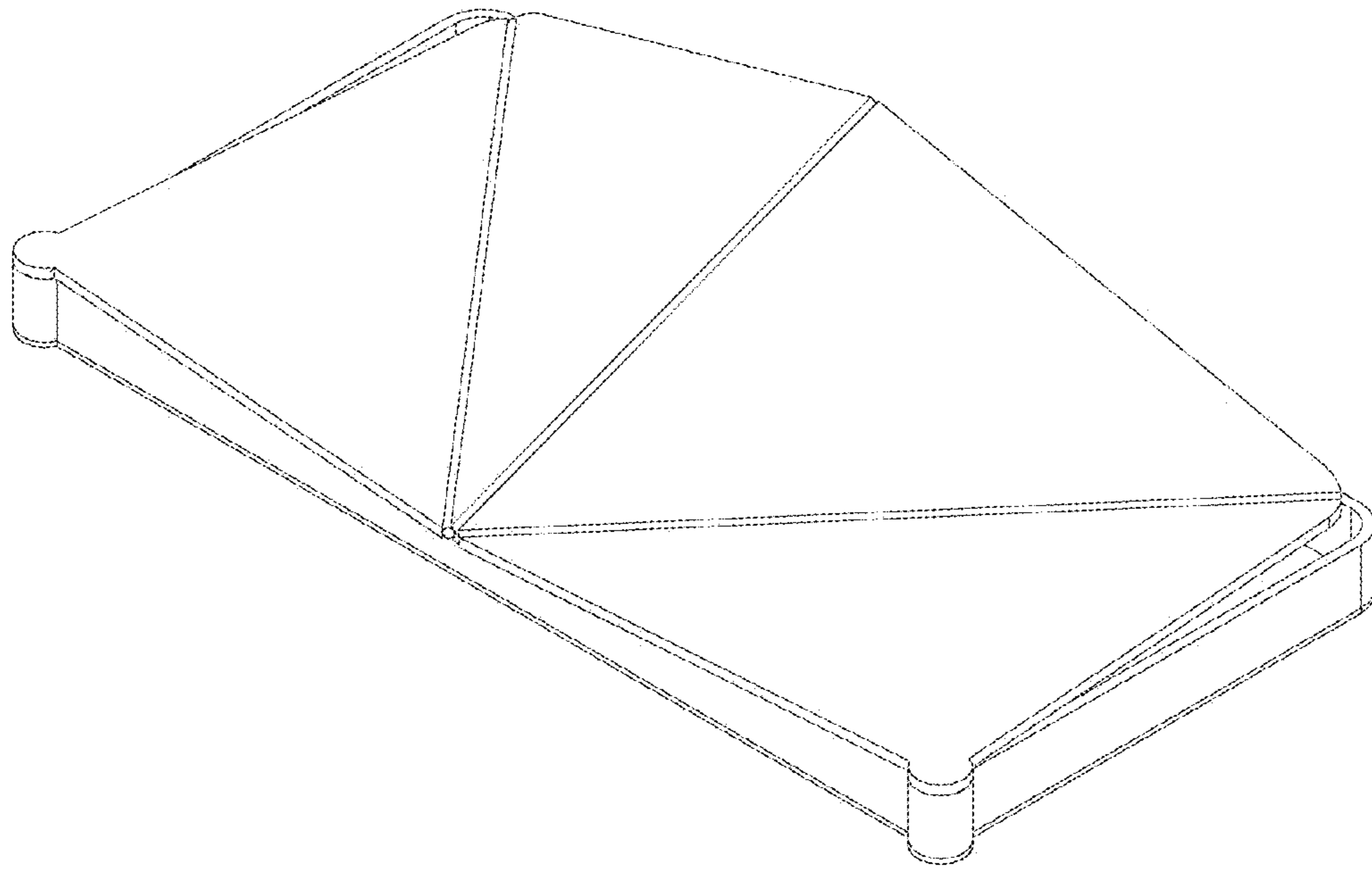


Fig. 6



Fig. 7

Fig. 8



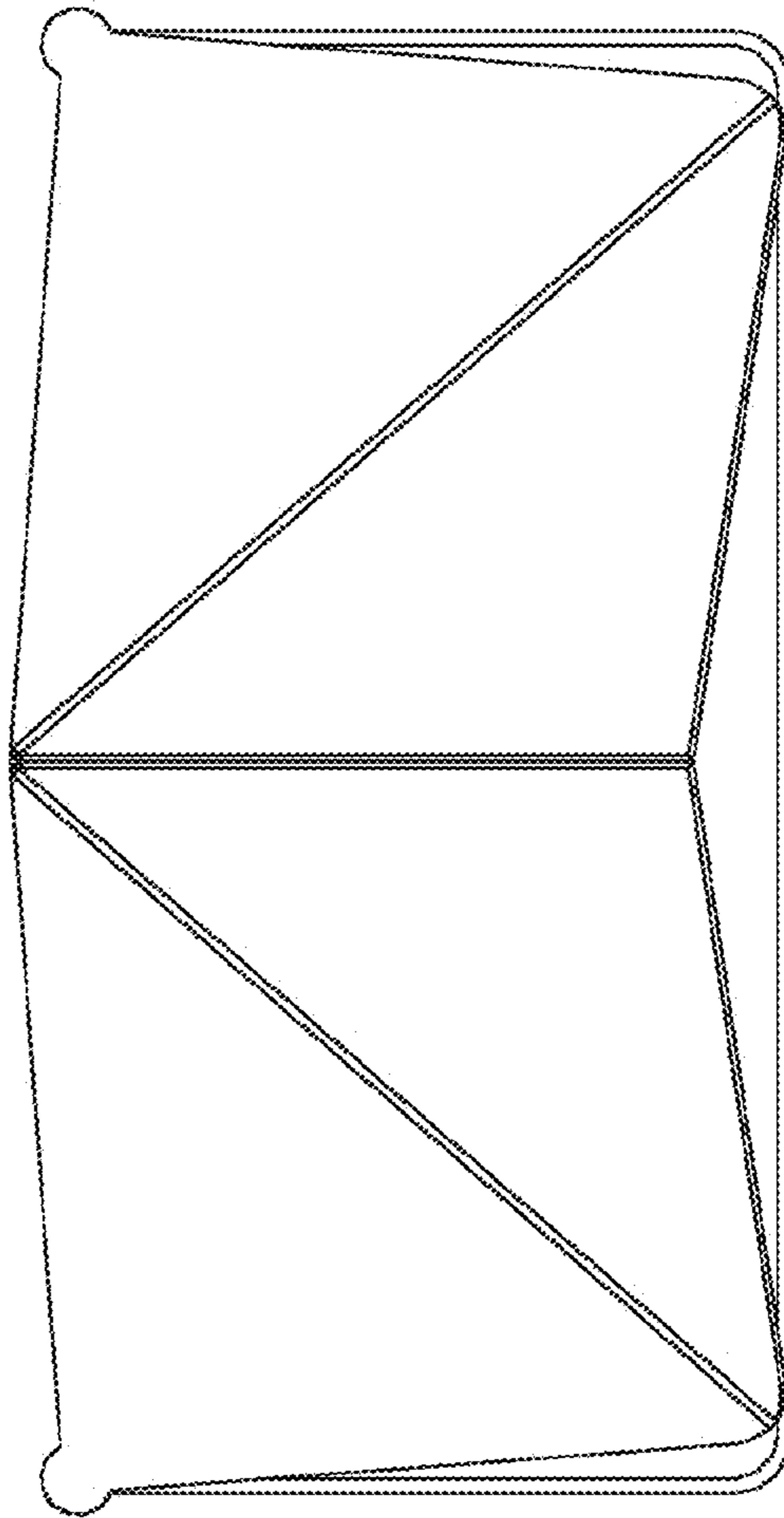


Fig. 9

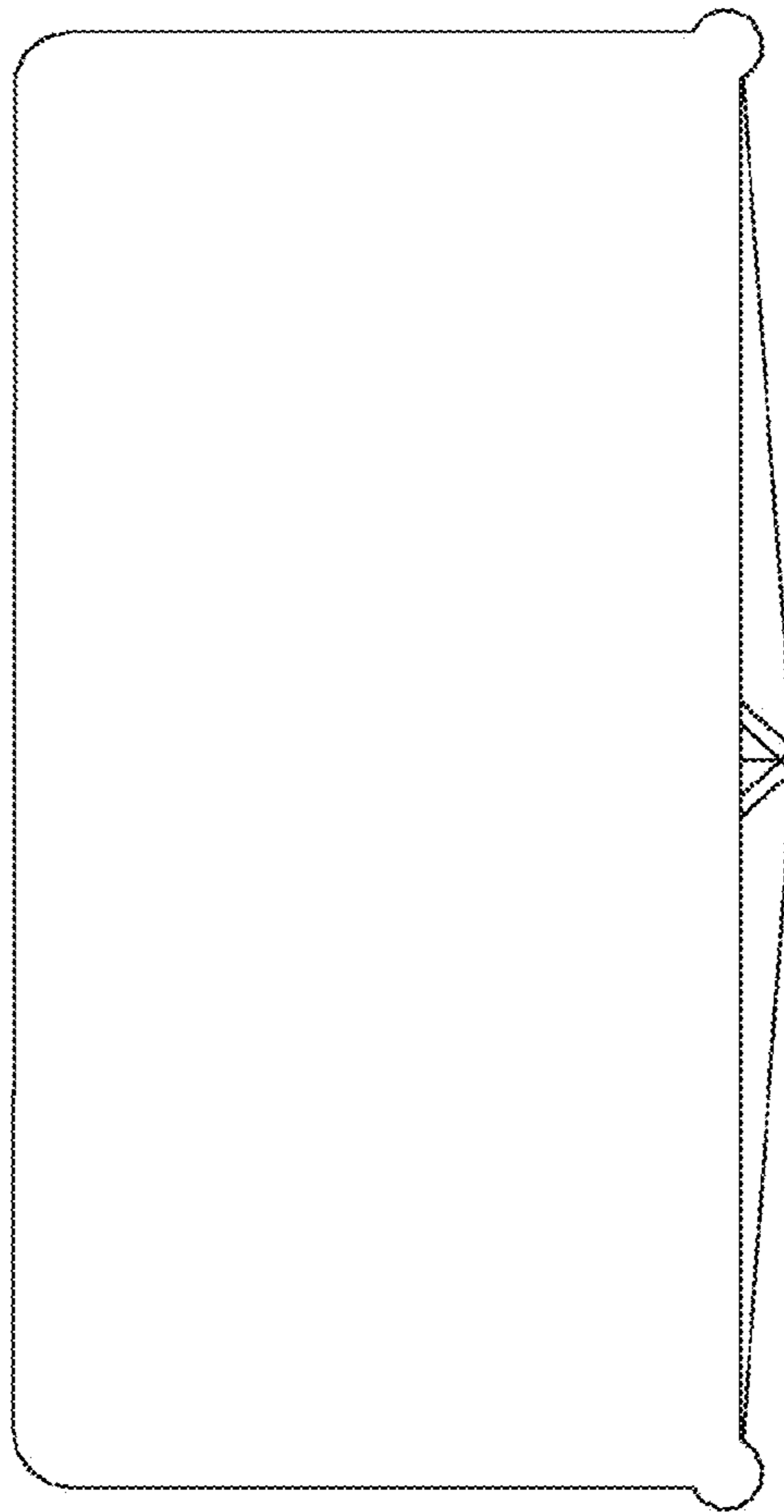


Fig. 10

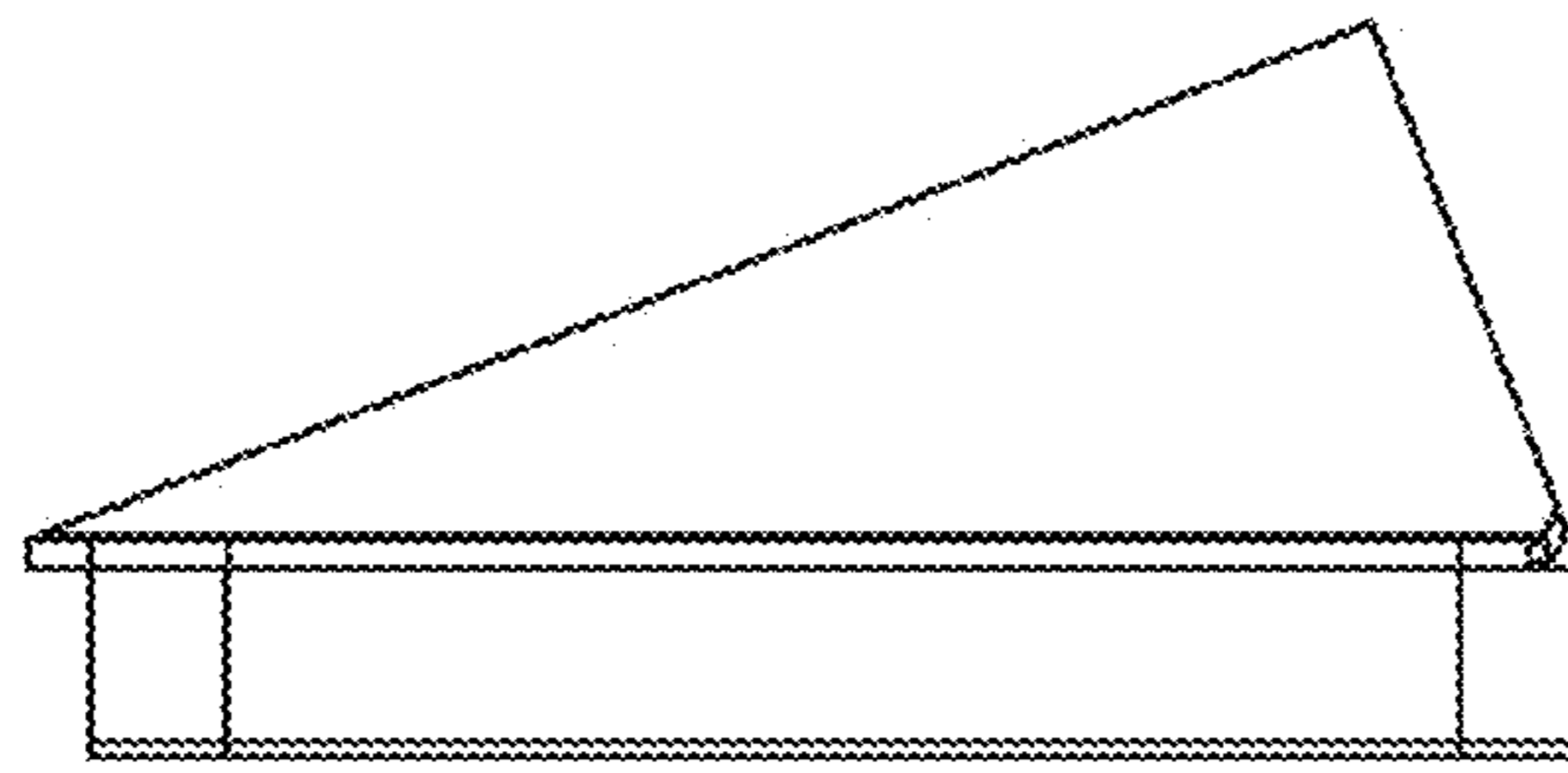


Fig. 11

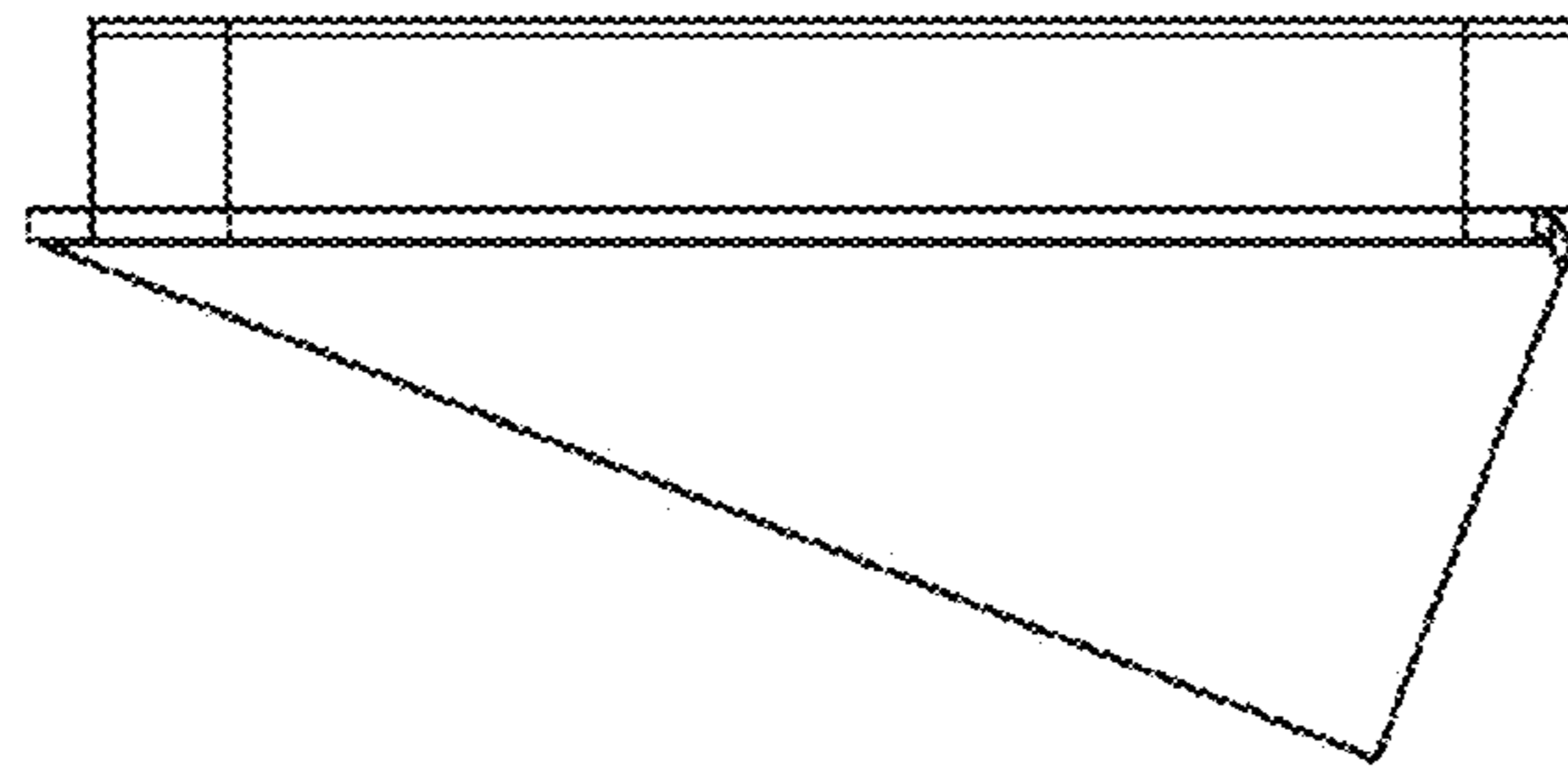


Fig. 12

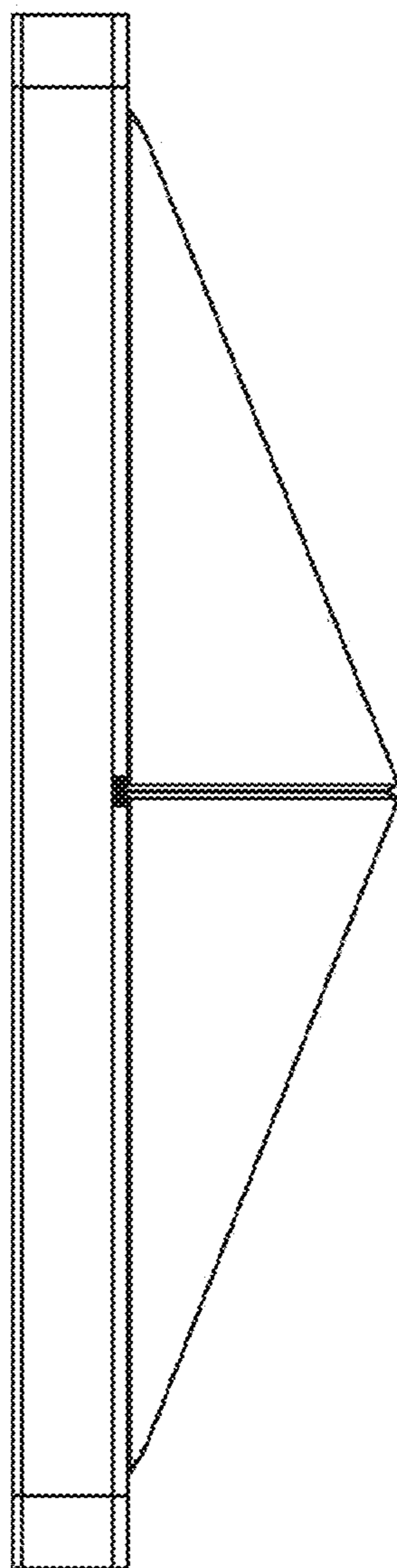


Fig. 13

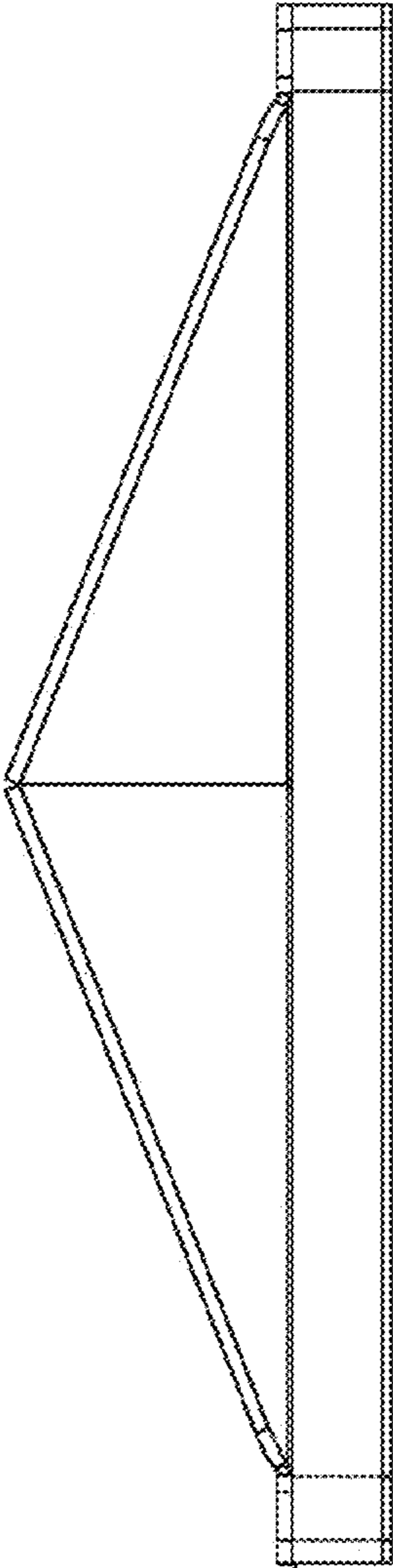
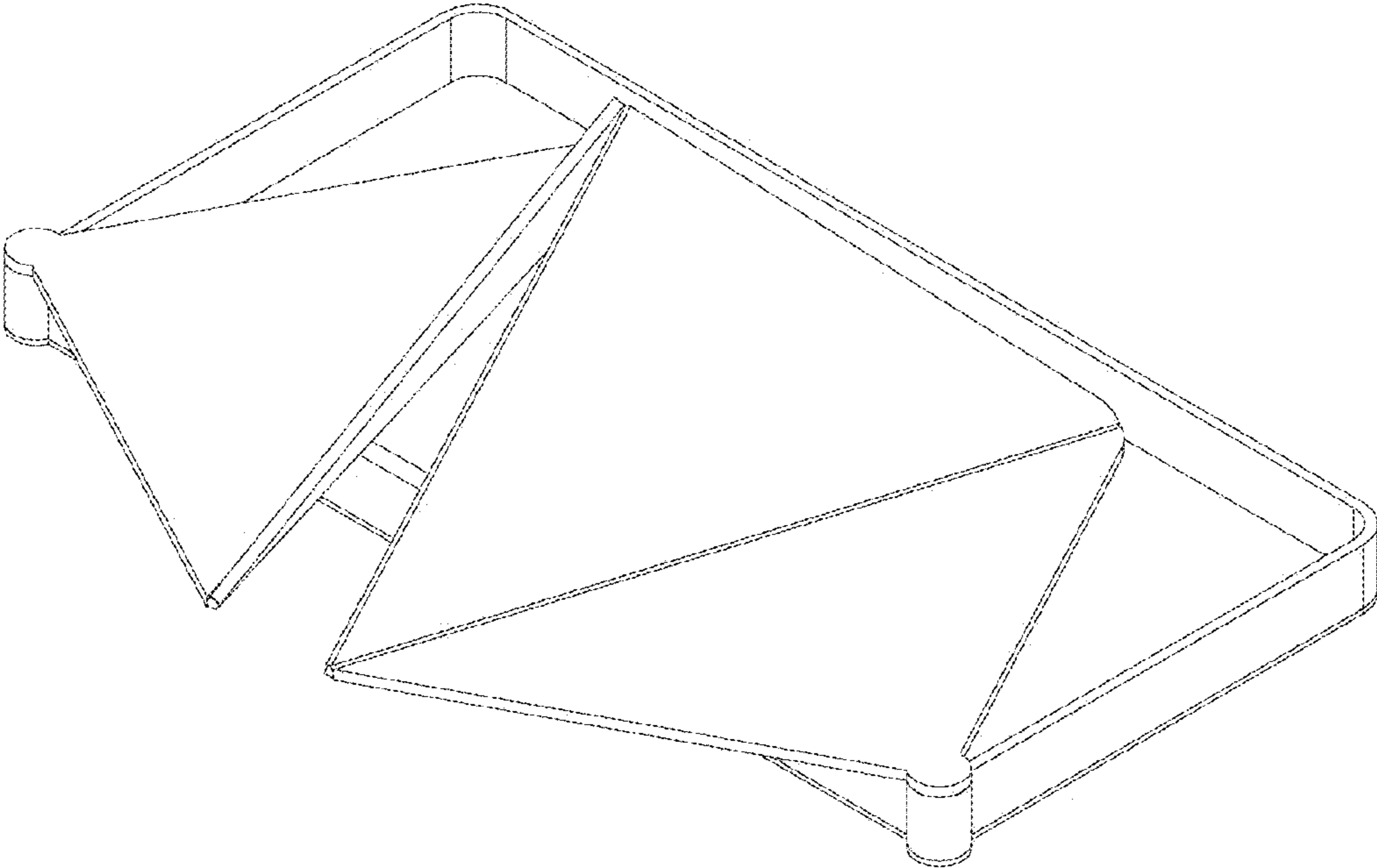


Fig. 14

Fig. 15



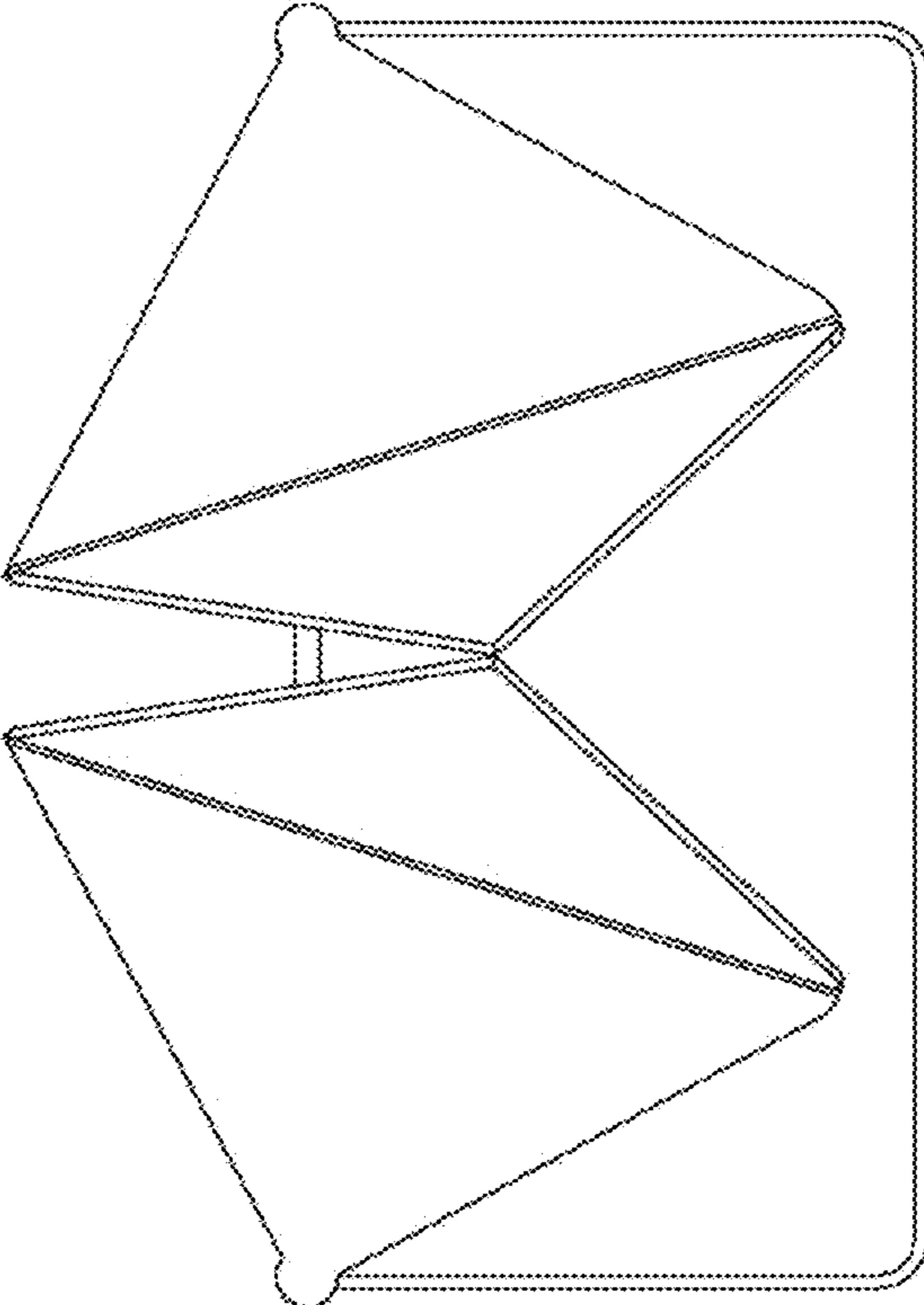


Fig. 16

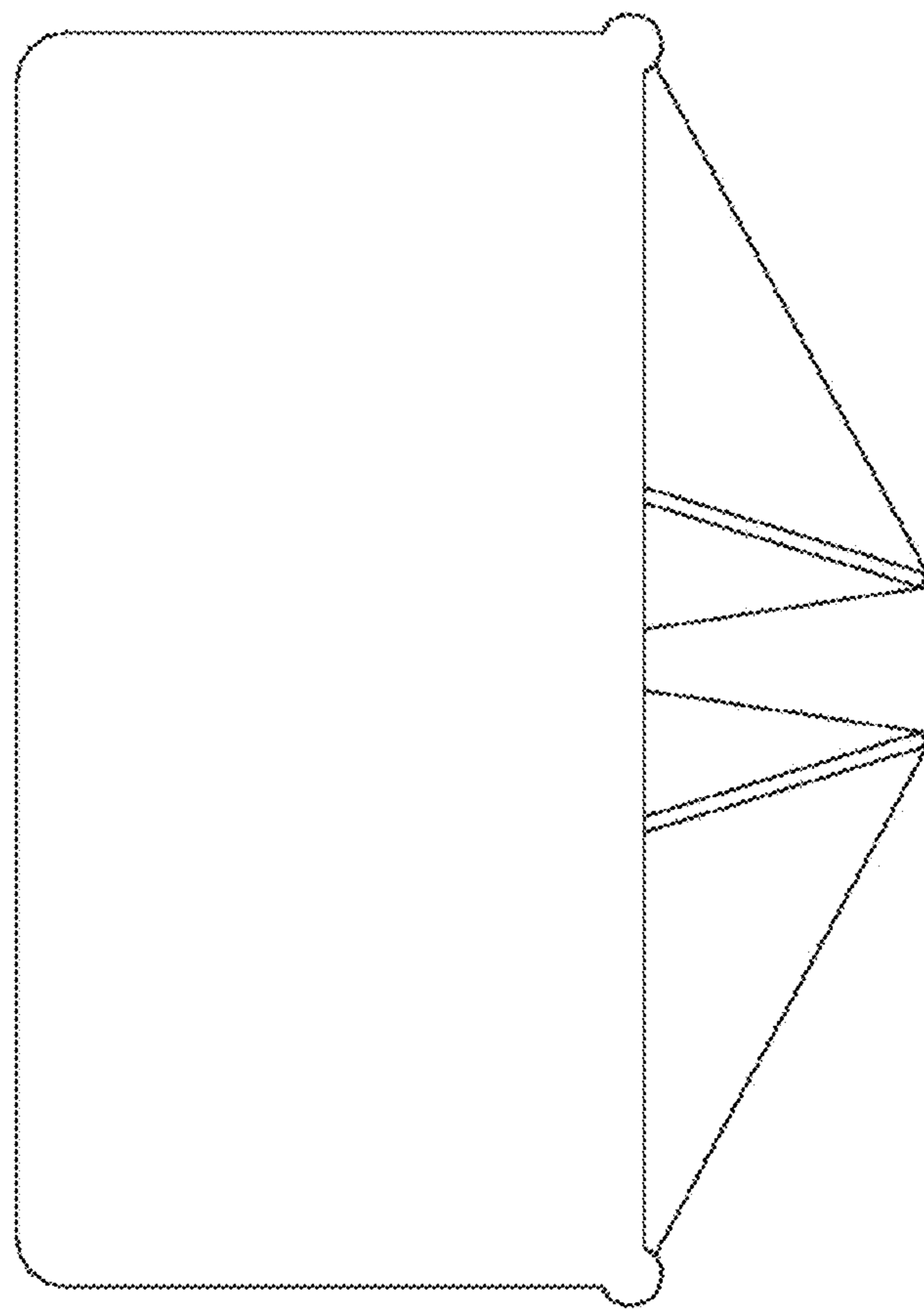


Fig. 17

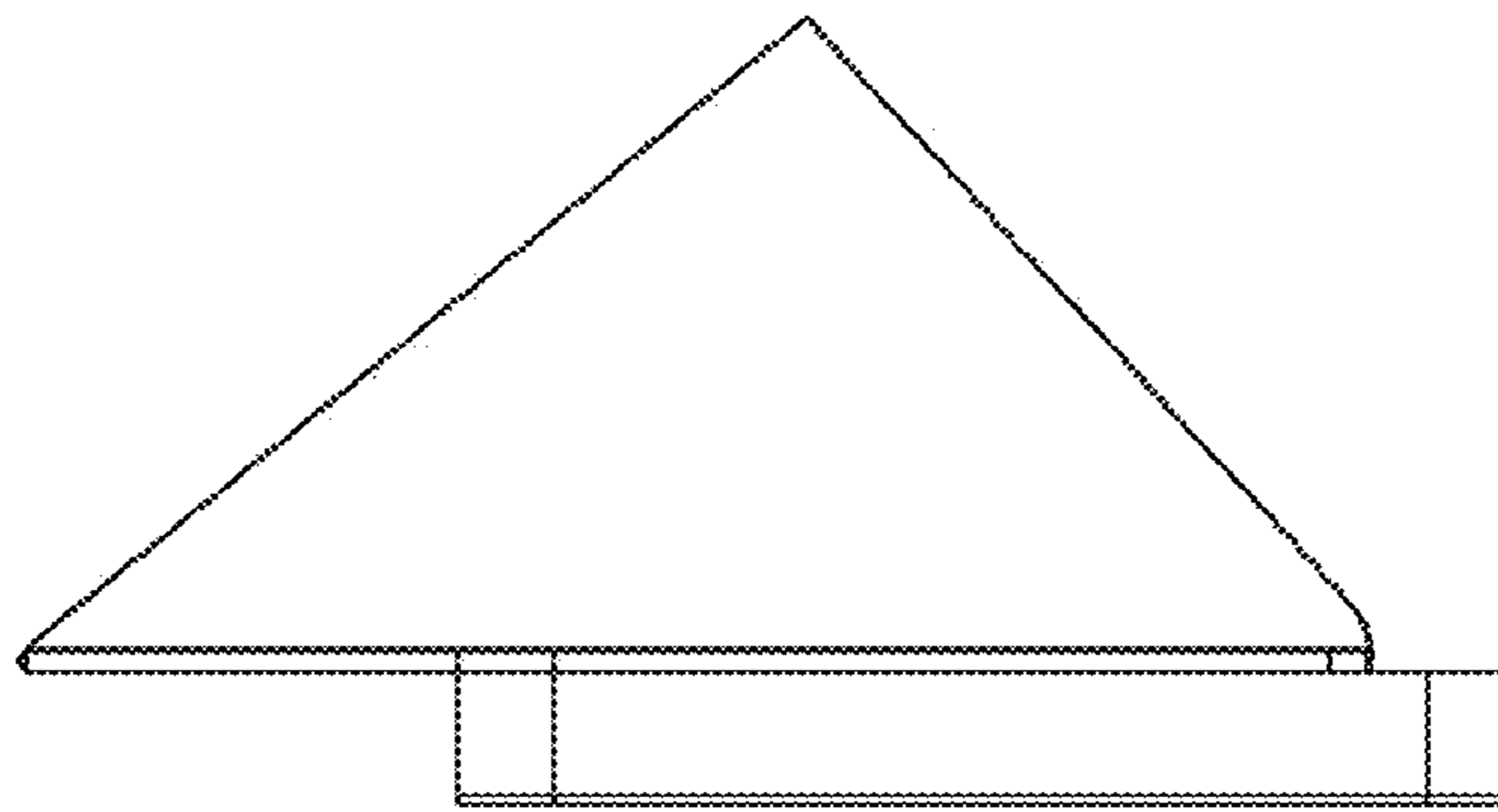


Fig. 18

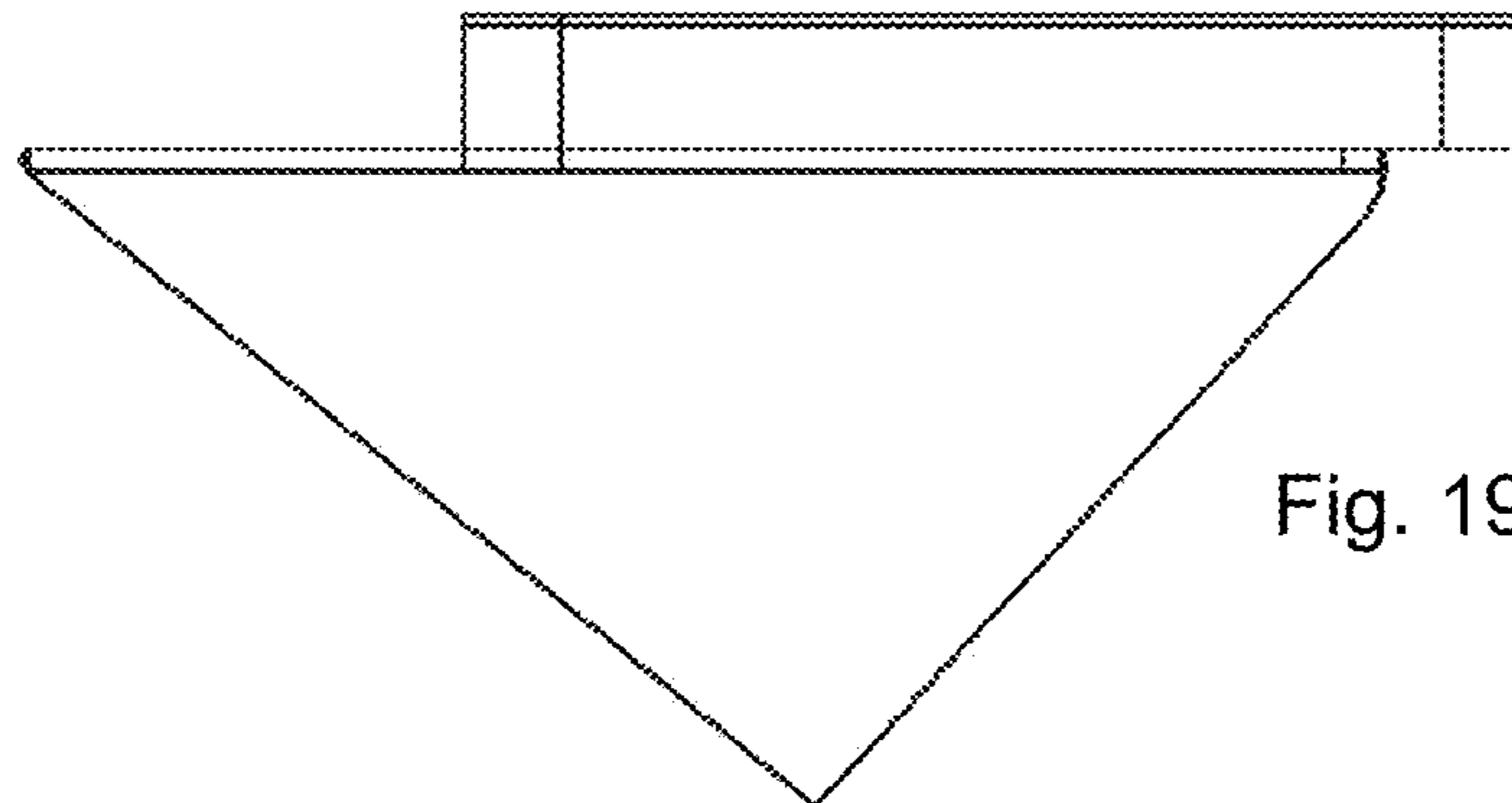


Fig. 19

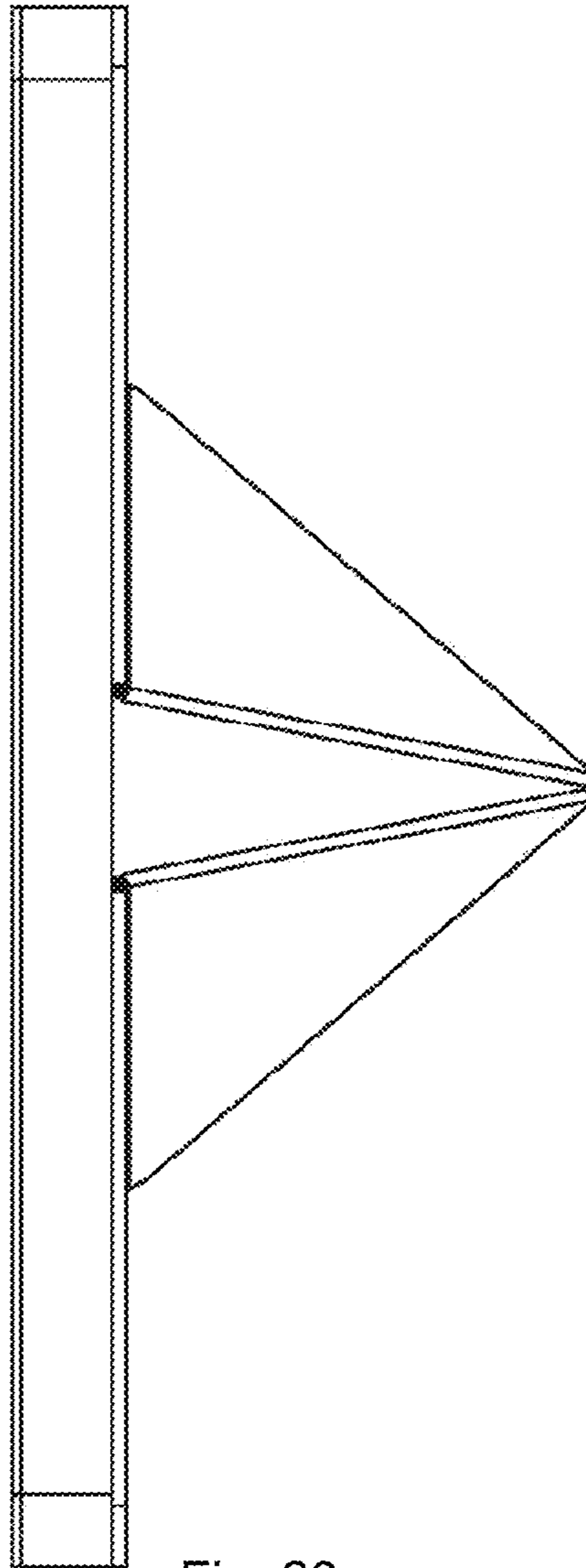


Fig. 20

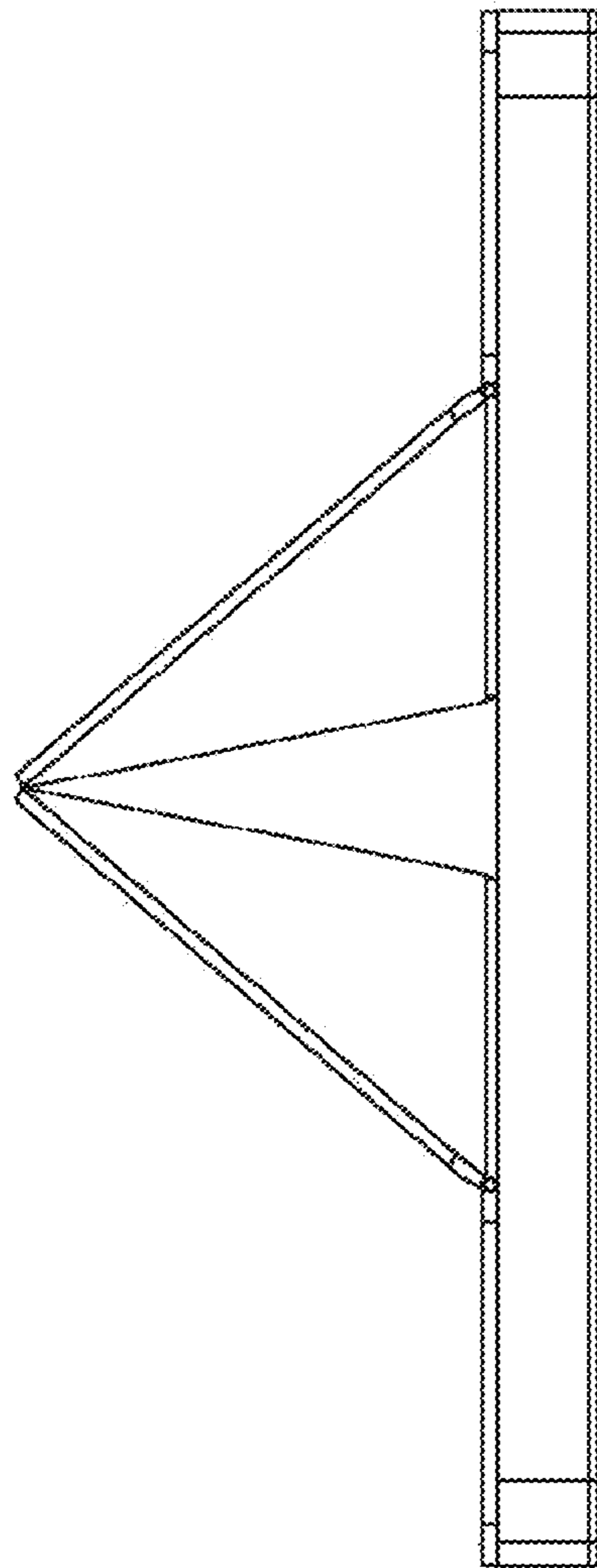


Fig. 21

Fig. 22

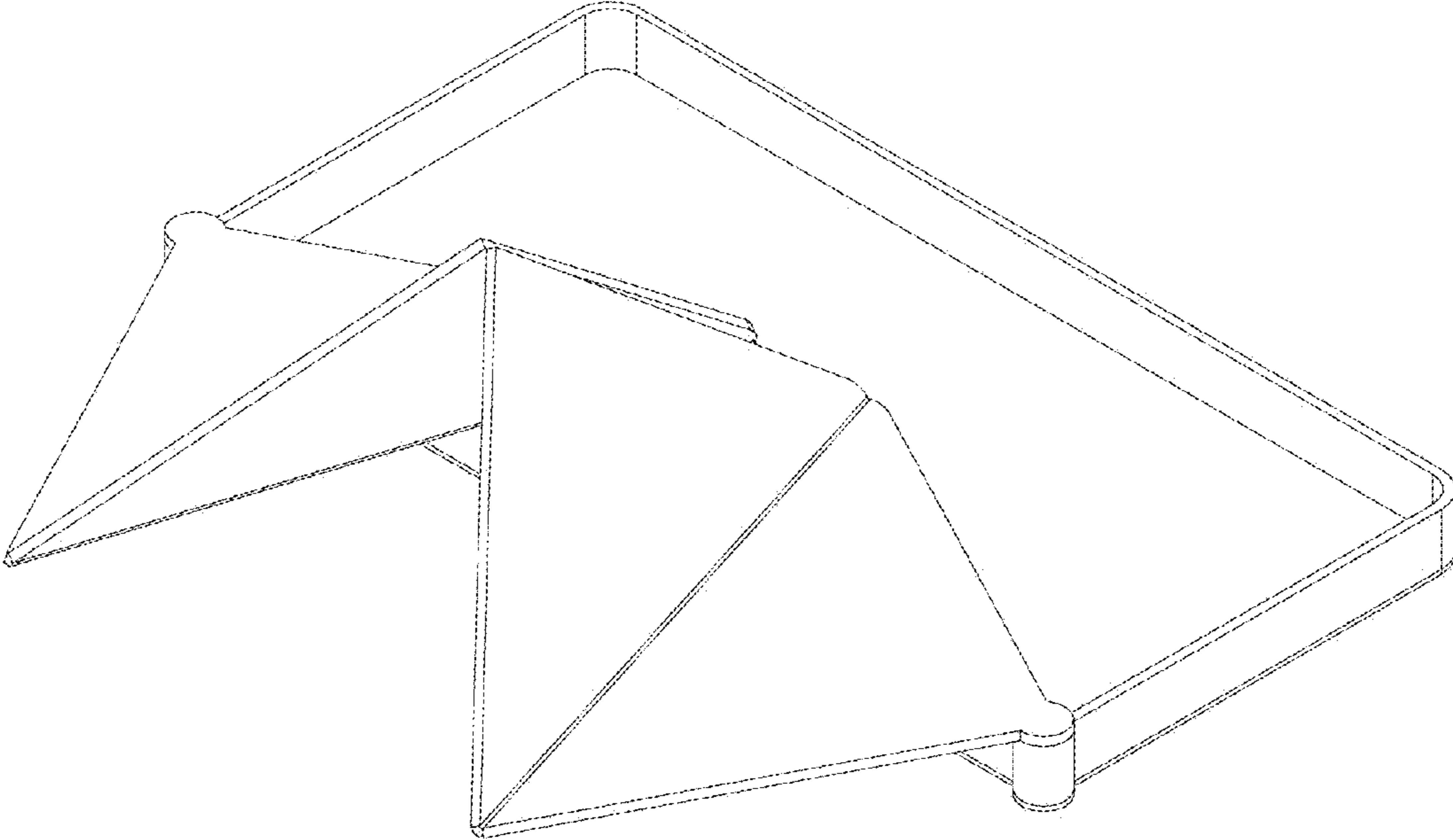
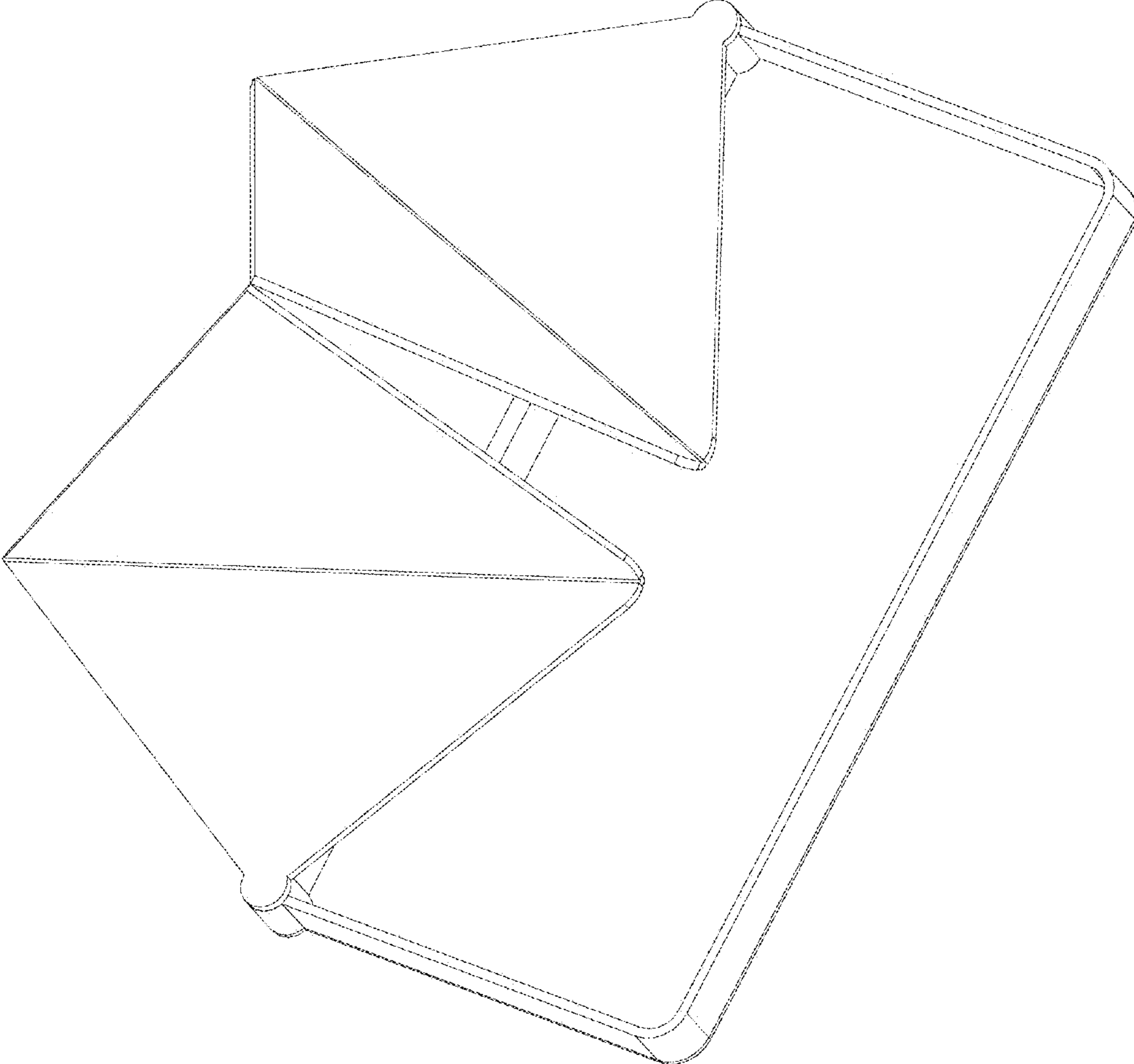


Fig. 23



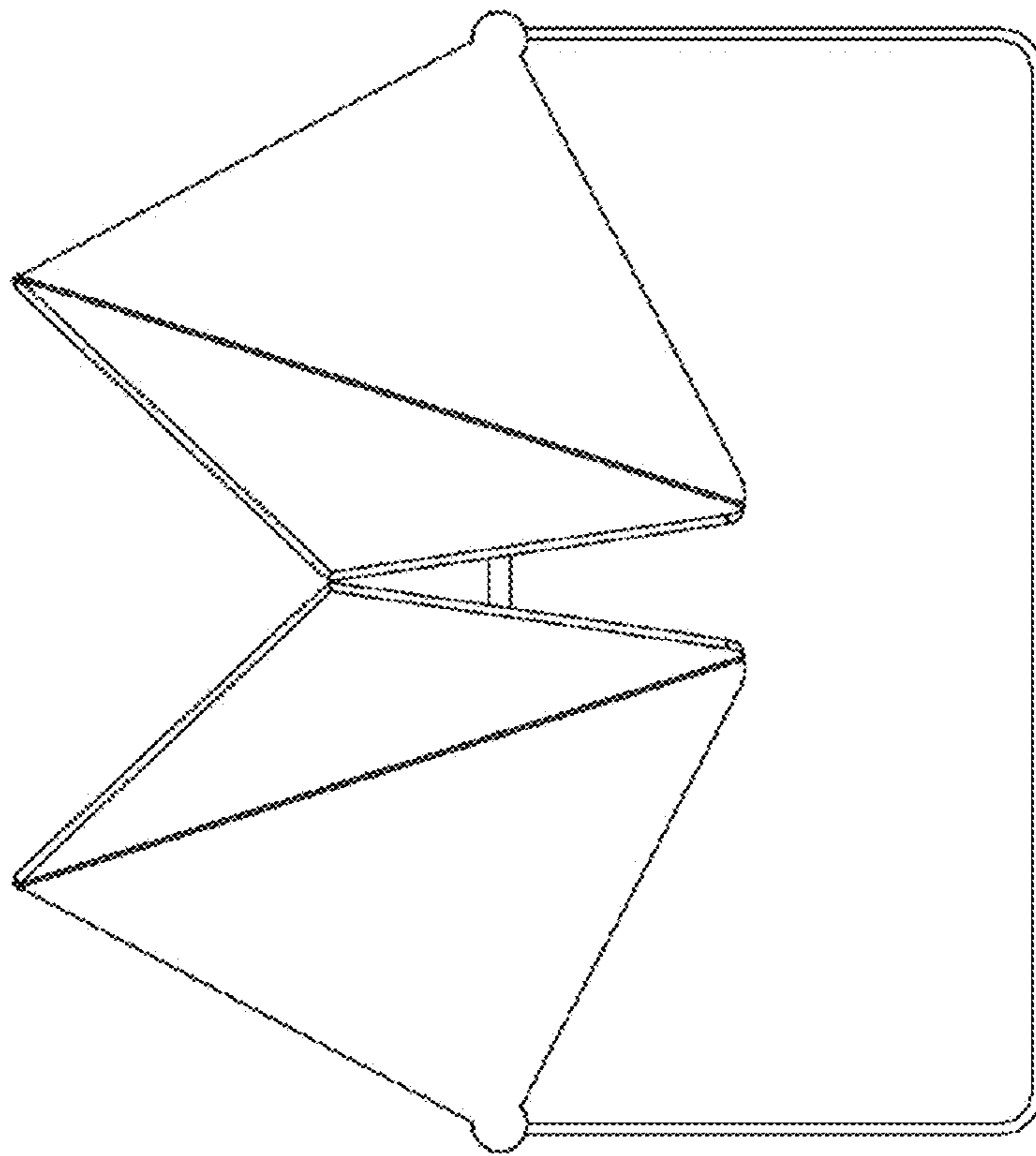


Fig. 24

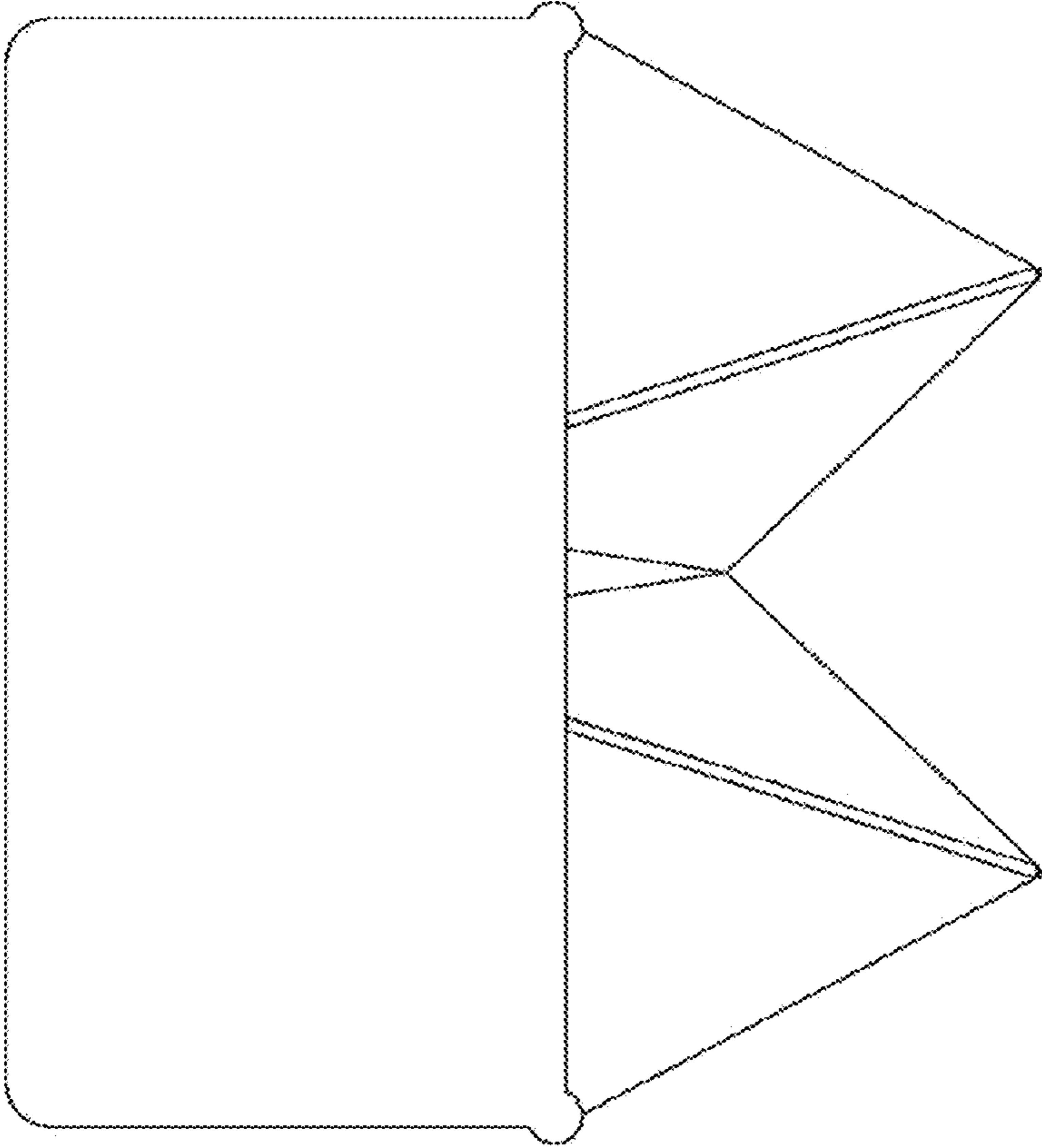


Fig. 25

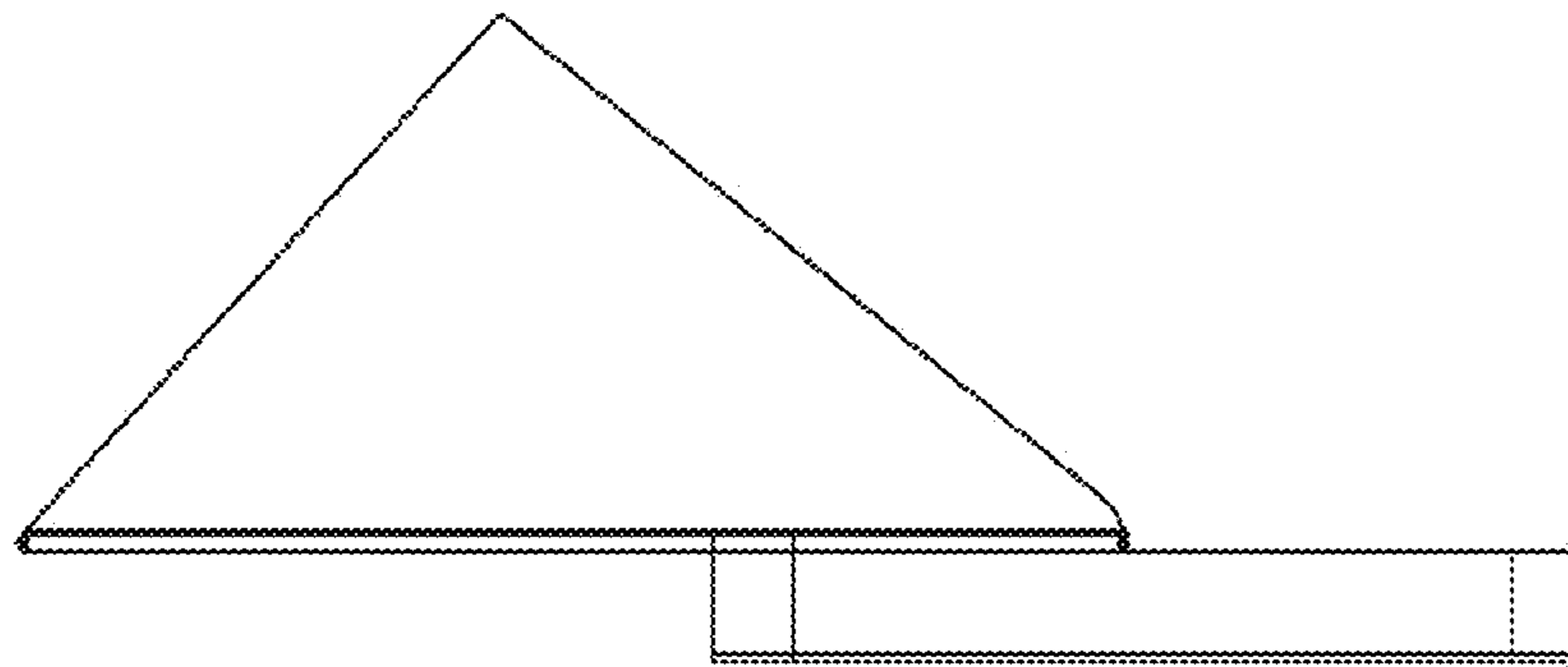


Fig. 26

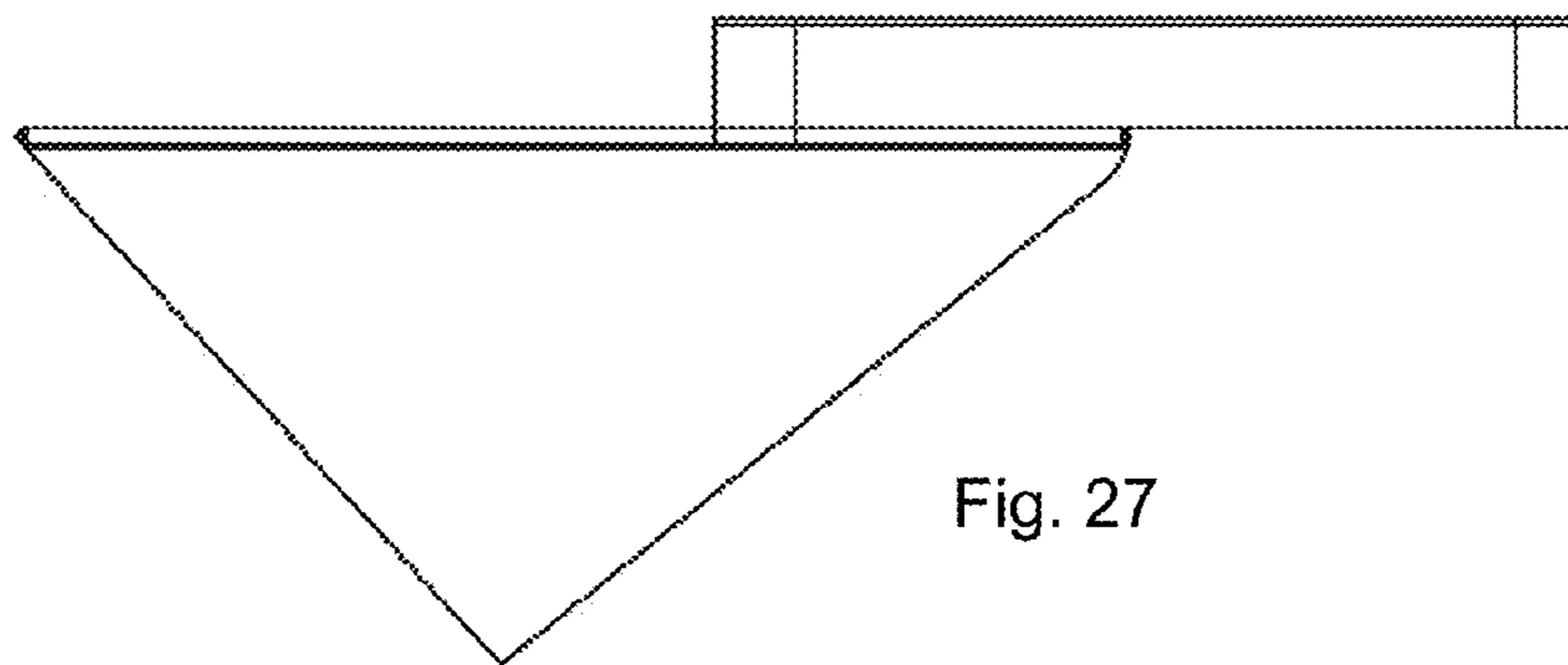


Fig. 27

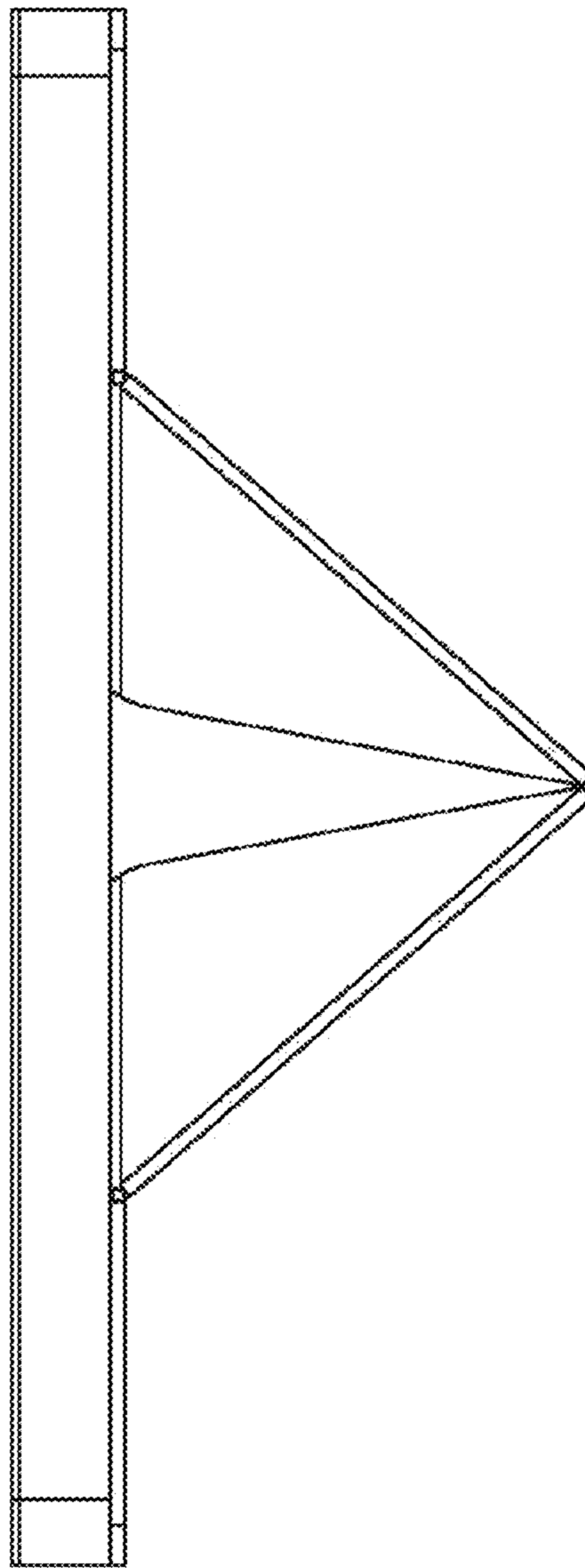


Fig. 28

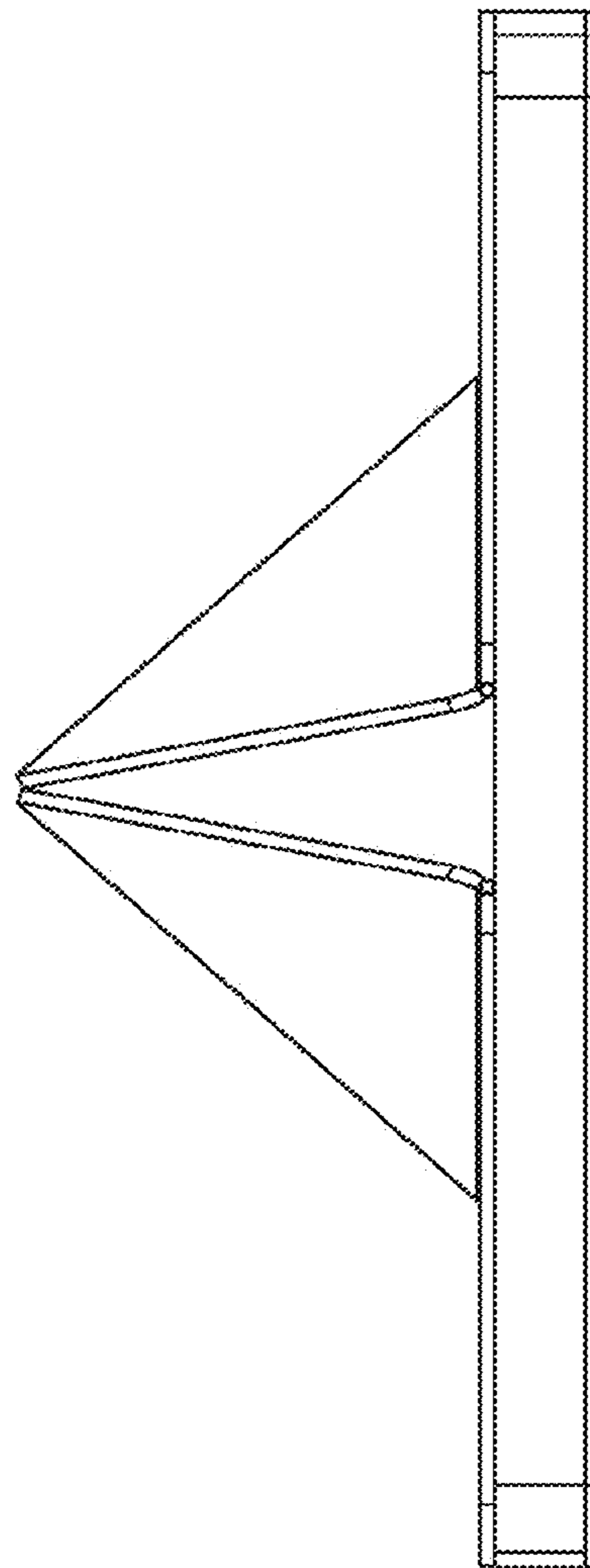
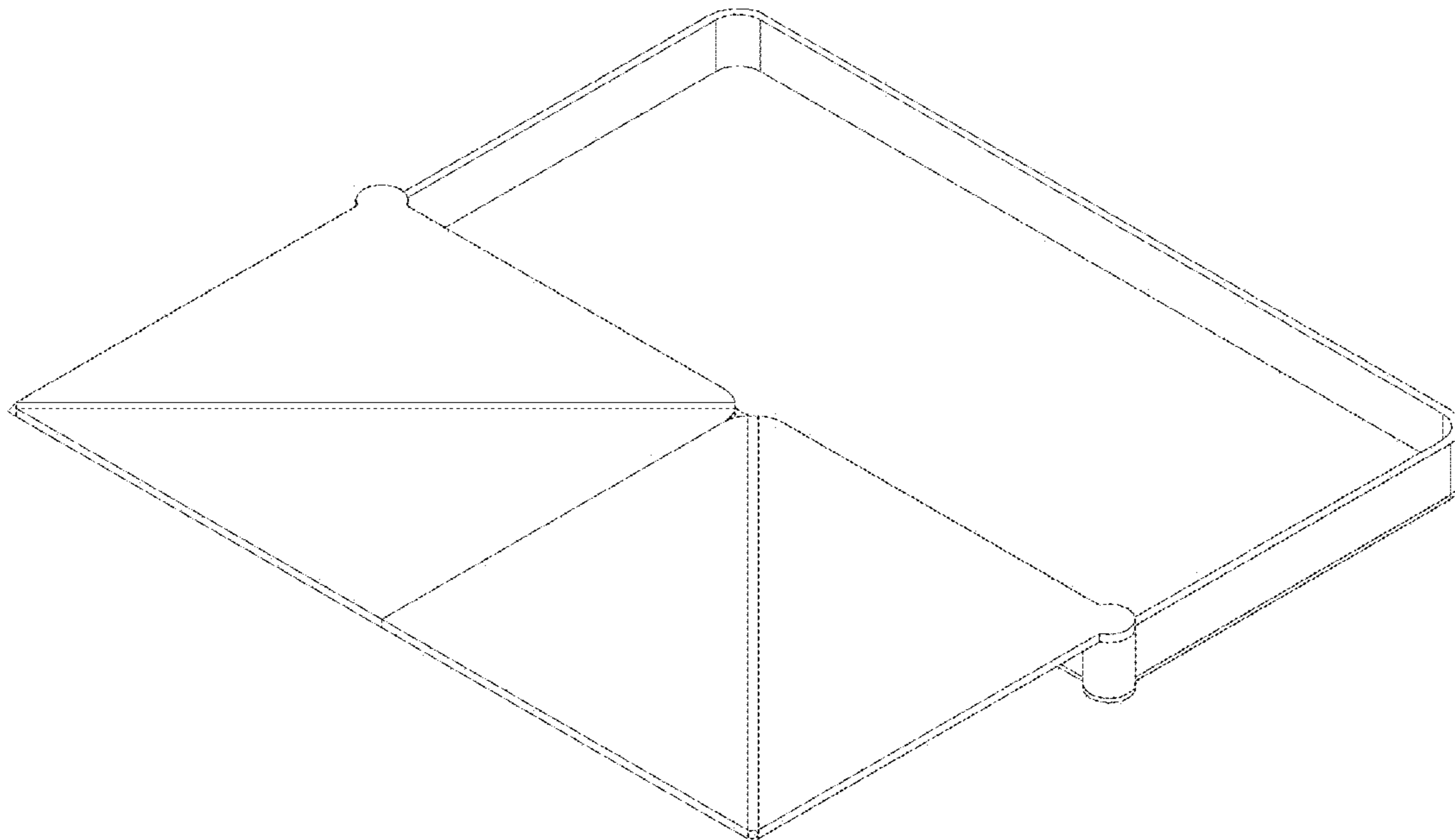


Fig. 29

Fig. 30



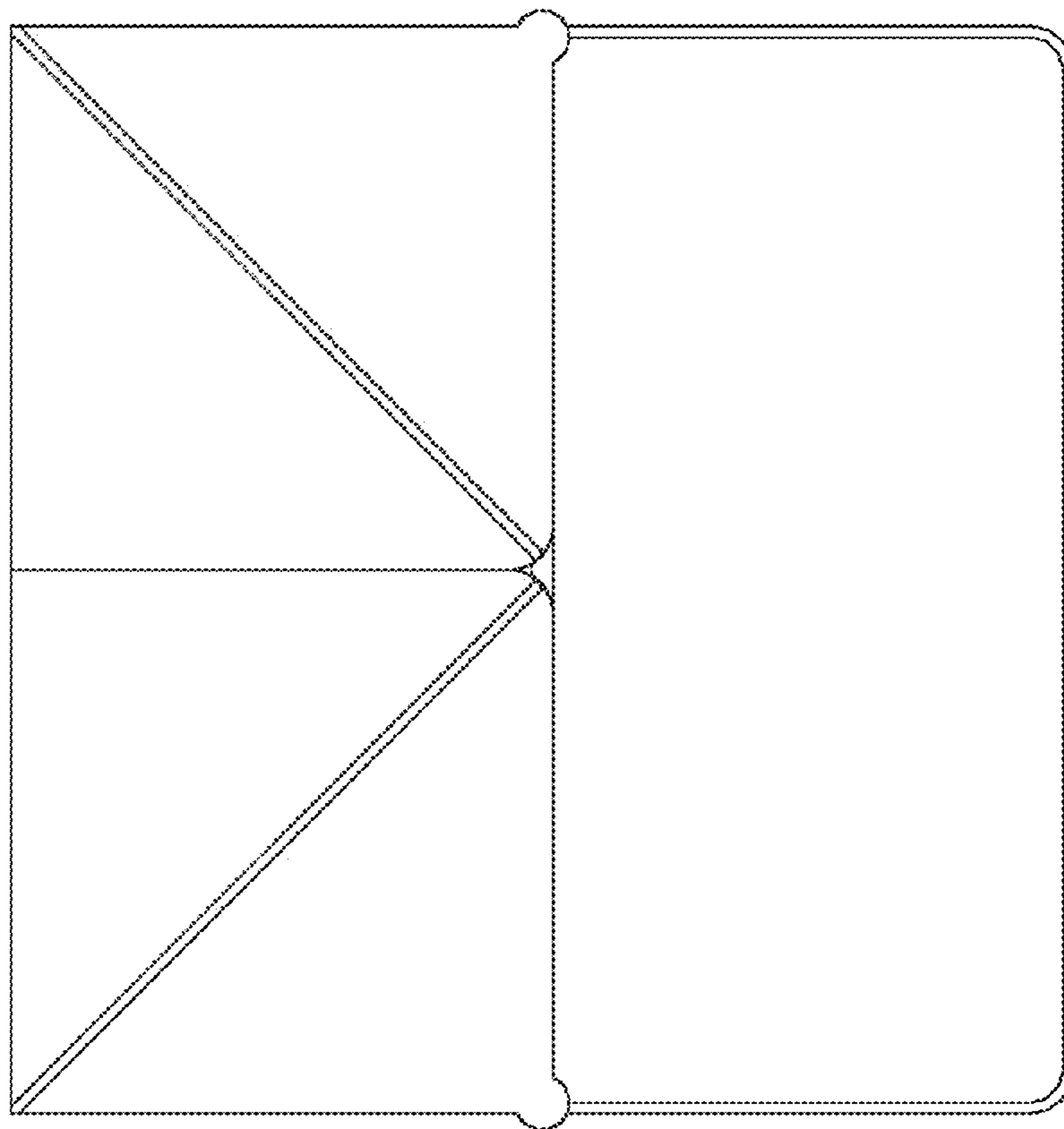


Fig. 31

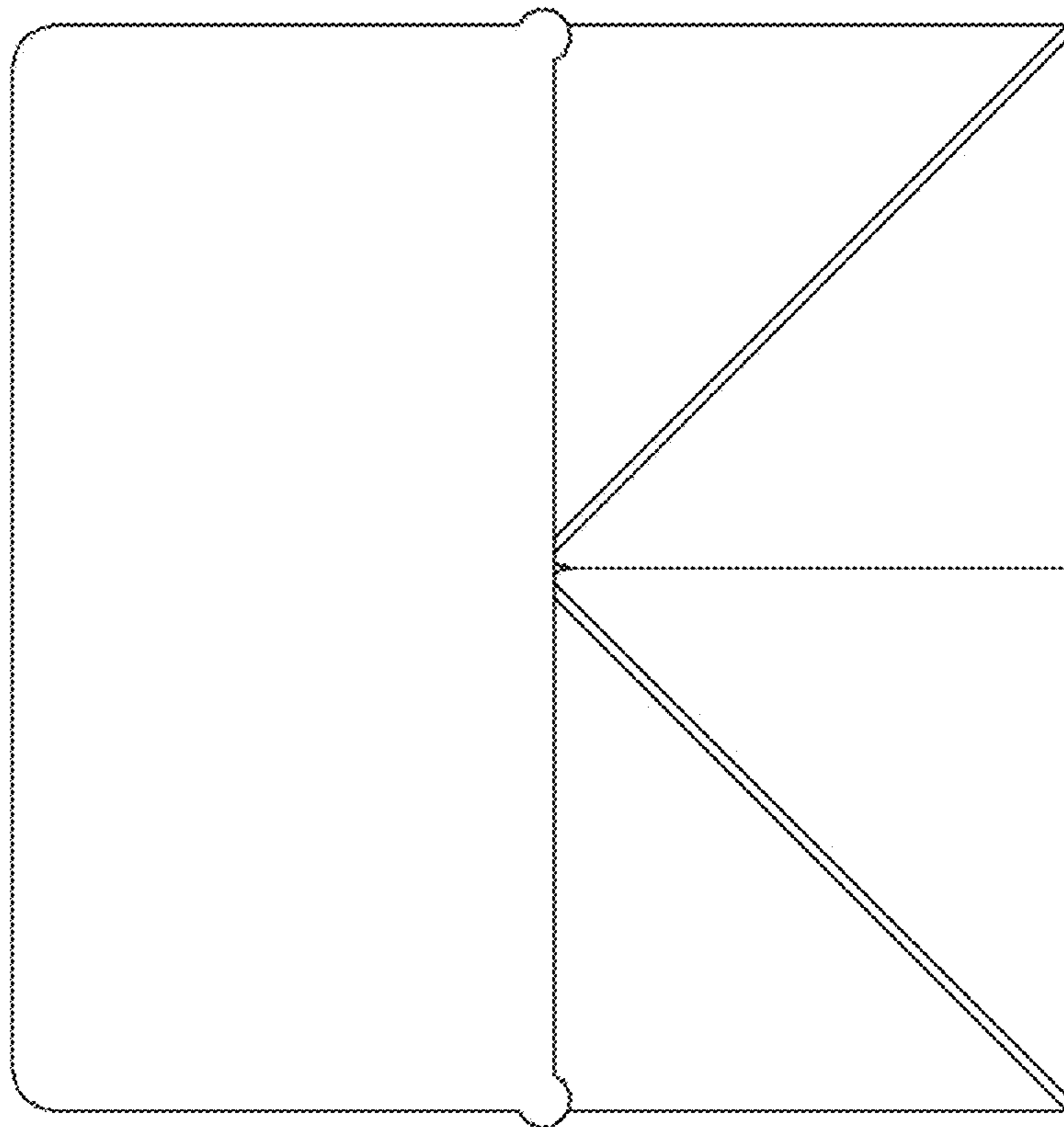


Fig. 32

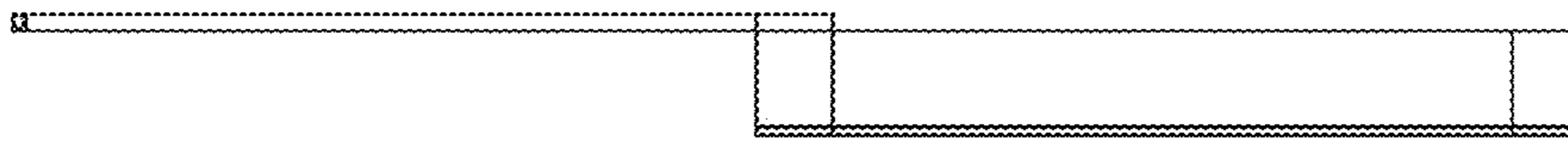


Fig. 33

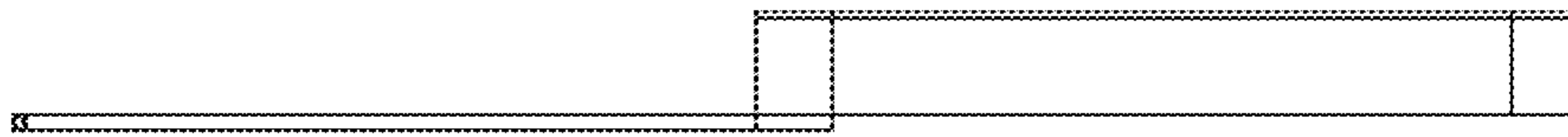


Fig. 34



Fig. 35

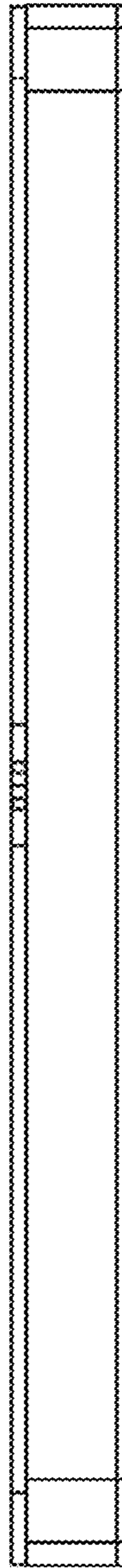


Fig. 36