

US00D752862S

(12) **United States Design Patent**  
**Riddiford et al.**

(10) **Patent No.:** **US D752,862 S**  
(45) **Date of Patent:** **\*\* Apr. 5, 2016**

- (54) **CASE**
- (71) Applicant: **Pelican Products, Inc.**, Torrance, CA (US)
- (72) Inventors: **Martin Riddiford**, London (GB);  
**Robert Butterworth**, Teddington (GB);  
**Andrew Clift**, Harpenden (GB)
- (73) Assignee: **PELICAN PRODUCTS, INC.**,  
Torrance, CA (US)

D467,426	S	*	12/2002	Hardigg et al.	.....	D3/279
D520,237	S	*	5/2006	Cheng	.....	D3/276
7,533,782	B2	*	5/2009	Parker et al.	.....	220/326
D627,165	S	*	11/2010	Habersetzer	.....	D3/284
D661,858	S	*	6/2012	Lifshitz et al.	.....	D34/25
D702,044	S	*	4/2014	Shitrit et al.	.....	D3/281
D720,928	S		1/2015	Roncato		
D743,169	S		11/2015	Therkorn		
2002/0096844	A1		7/2002	Clegg		
2011/0155526	A1		6/2011	Cheng		
2014/0197059	A1*		7/2014	Evans et al.	.....	206/349
2015/0150348	A1		6/2015	Wax		
2015/0173472	A1		6/2015	Gierke et al.		

- (\*\*) Term: **14 Years**
- (21) Appl. No.: **29/487,016**
- (22) Filed: **Apr. 4, 2014**
- (51) **LOC (10) Cl.** ..... **03-01**
- (52) **U.S. Cl.**  
USPC ..... **D3/272; D3/281; D3/279**
- (58) **Field of Classification Search**  
USPC ..... D3/276, 279, 281, 282, 284, 291, 294,  
D3/295, 297, 298, 901, 905, 288, 292, 273,  
D3/302, 283; 206/372-379, 1.7;  
220/523-528; 190/18 A, 100-127  
CPC . B25H 3/02-3/028; B25H 3/00; B25H 3/003;  
B25H 3/006  
See application file for complete search history.

**OTHER PUBLICATIONS**

Pelican Products Homepage, "BA 27 Elite Luggage Weekender", accessed Dec. 18, 2015. (<http://www.pelican.com/us/en/product/wa-tertight-rolling-luggage/elite-luggage/weekender/BA27/>).  
US Office Action dated Dec. 24, 2015, from related U.S. Appl. No. 29/525,648.

\* cited by examiner

*Primary Examiner* — Jennifer Rivard  
*Assistant Examiner* — April Rivas  
(74) *Attorney, Agent, or Firm* — Foley & Lardner LLP

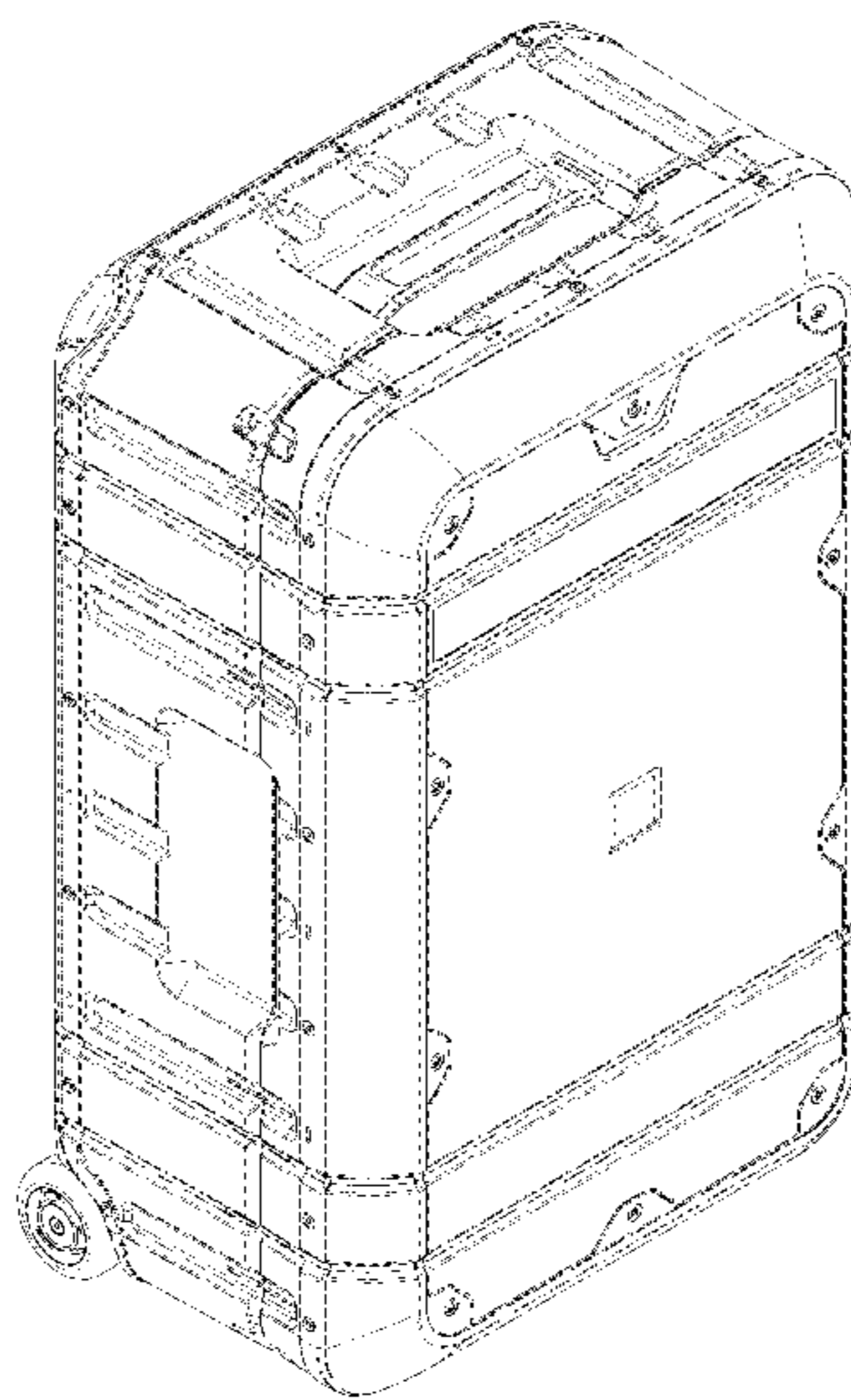
(57) **CLAIM**  
We claim the ornamental design for a case, as shown and described.

**DESCRIPTION**

FIG. 1 is a perspective view of the case.  
FIG. 2 is a front view of the case.  
FIG. 3 is a rear view of the case.  
FIG. 4 is a left view of the case.  
FIG. 5 is a right view of the case.  
FIG. 6 is a top view of the case; and,  
FIG. 7 is a bottom view of the case.  
The broken lines illustrate portions of the case and form no part of the claimed design.

- (56) **References Cited**  
U.S. PATENT DOCUMENTS
- |          |   |           |                 |              |
|----------|---|-----------|-----------------|--------------|
| D422,409 | S | 4/2000    | Klenner et al.  |              |
| D425,301 | S | 5/2000    | Sagol           |              |
| D437,484 | S | * 2/2001  | Tiramani et al. | ..... D3/279 |
| D441,954 | S | 5/2001    | Parker          |              |
| D454,430 | S | 3/2002    | Sijmons         |              |
| D457,724 | S | 5/2002    | Och             |              |
| D462,519 | S | * 9/2002  | Gaydos et al.   | ..... D3/276 |
| D465,330 | S | 11/2002   | Parker          |              |
| D467,424 | S | * 12/2002 | Hardigg et al.  | ..... D3/279 |
| D467,425 | S | * 12/2002 | Hardigg et al.  | ..... D3/279 |

**1 Claim, 6 Drawing Sheets**



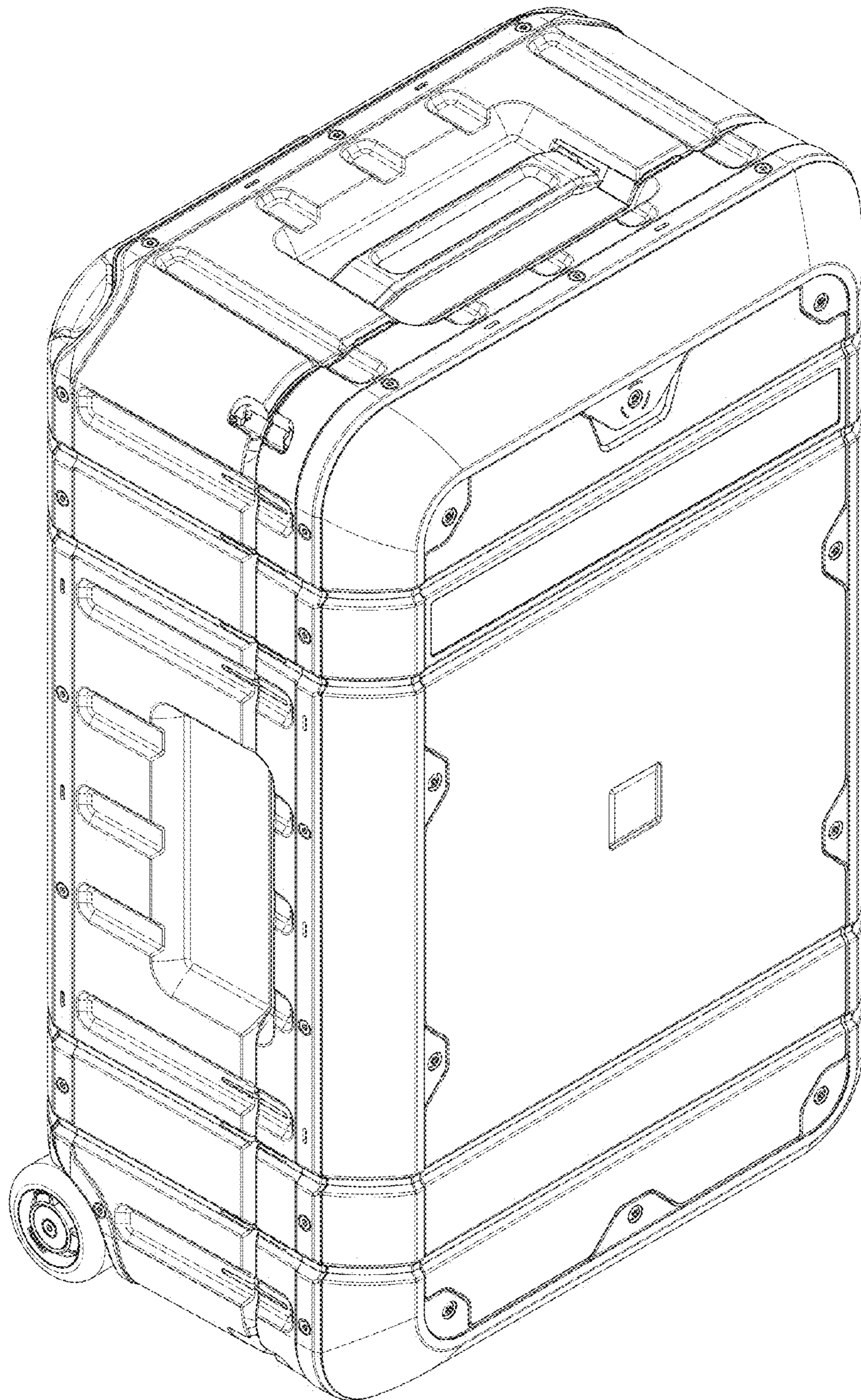


FIG. 1

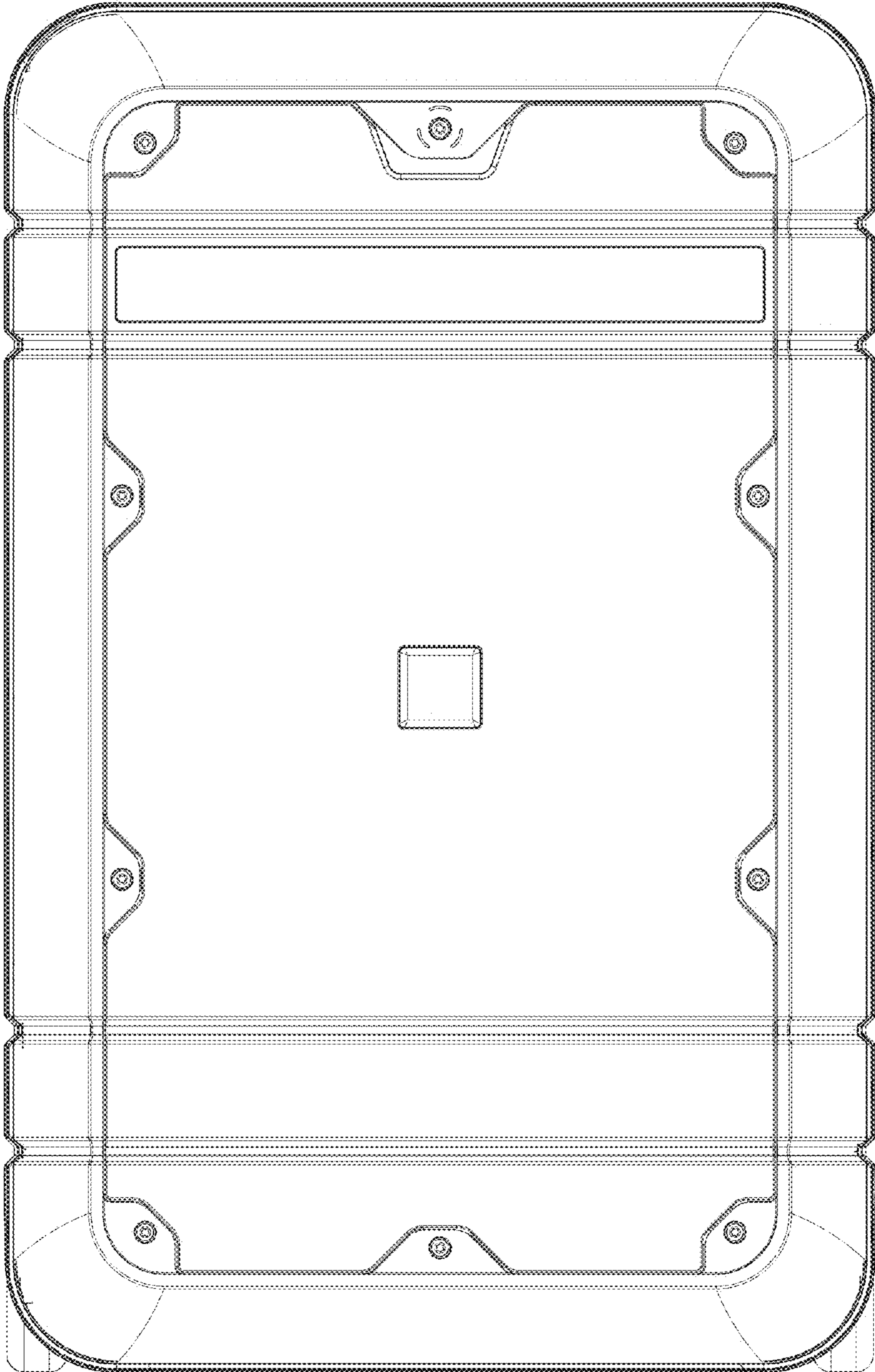


FIG. 2

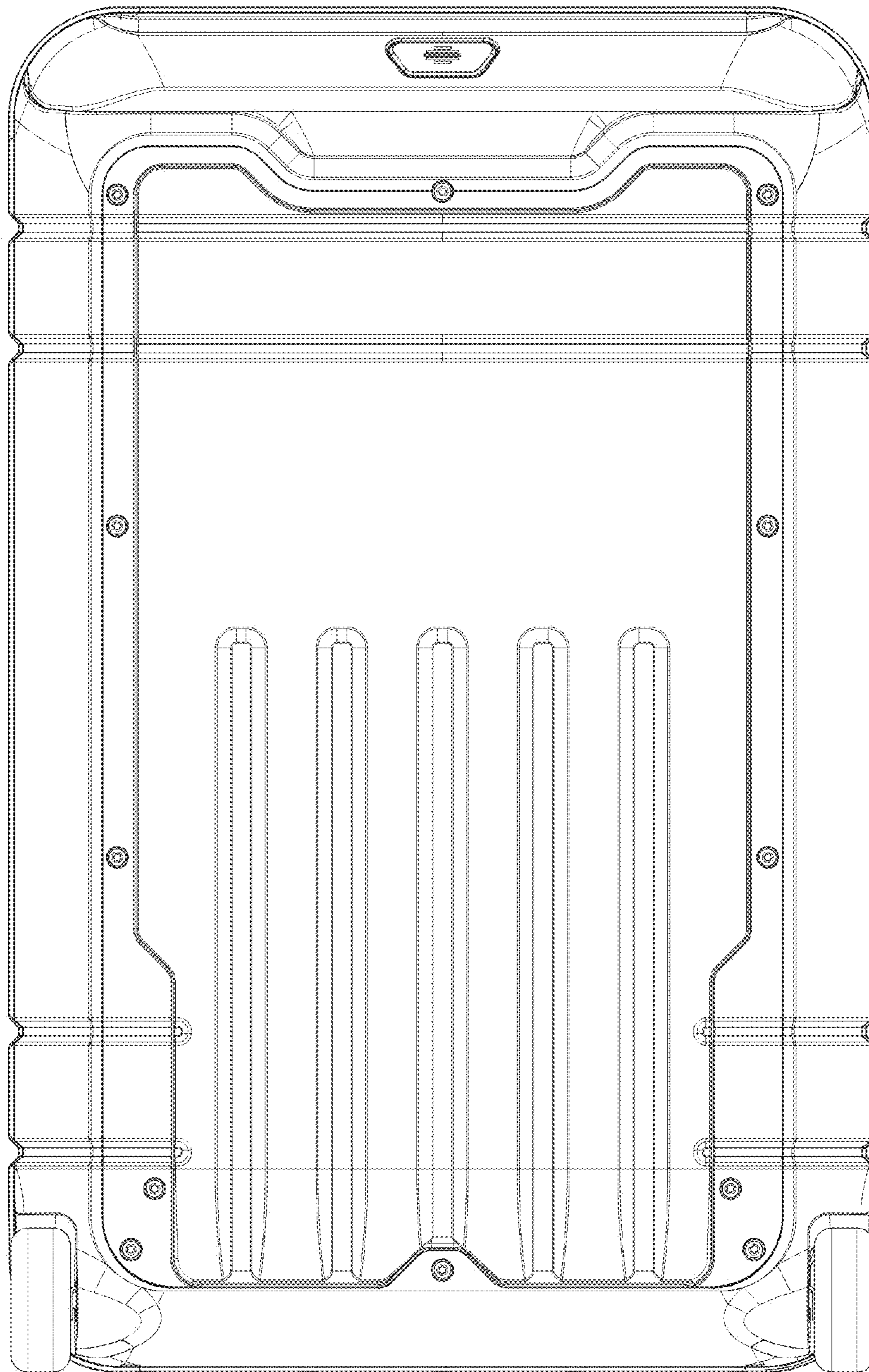


FIG. 3

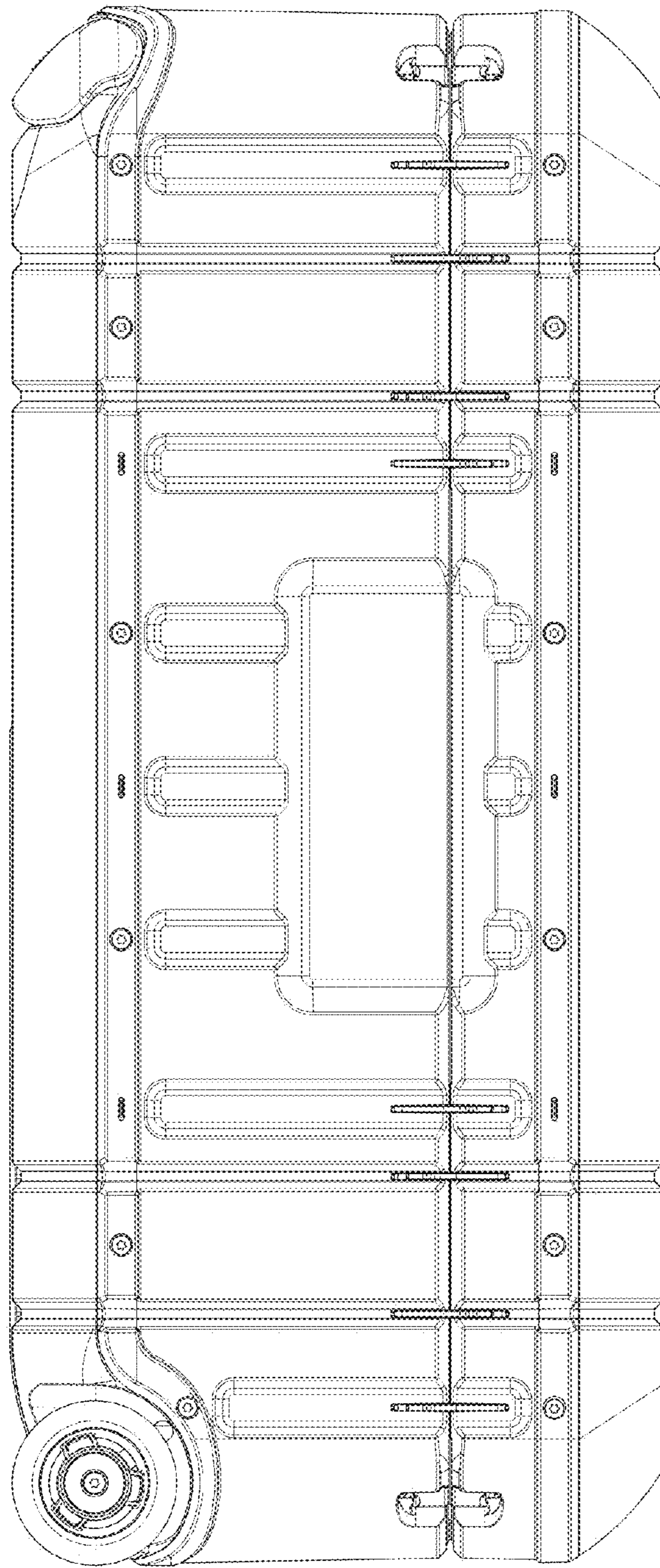


FIG. 4

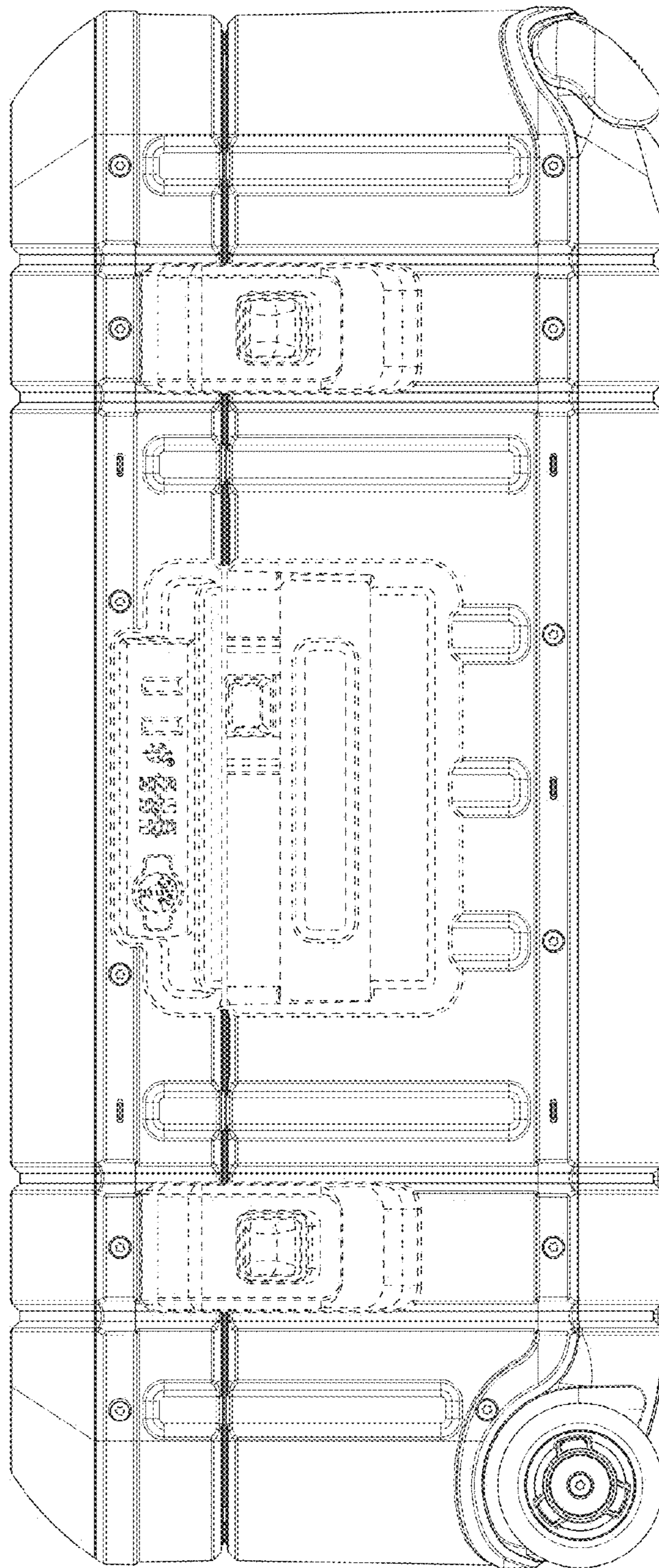


FIG. 5

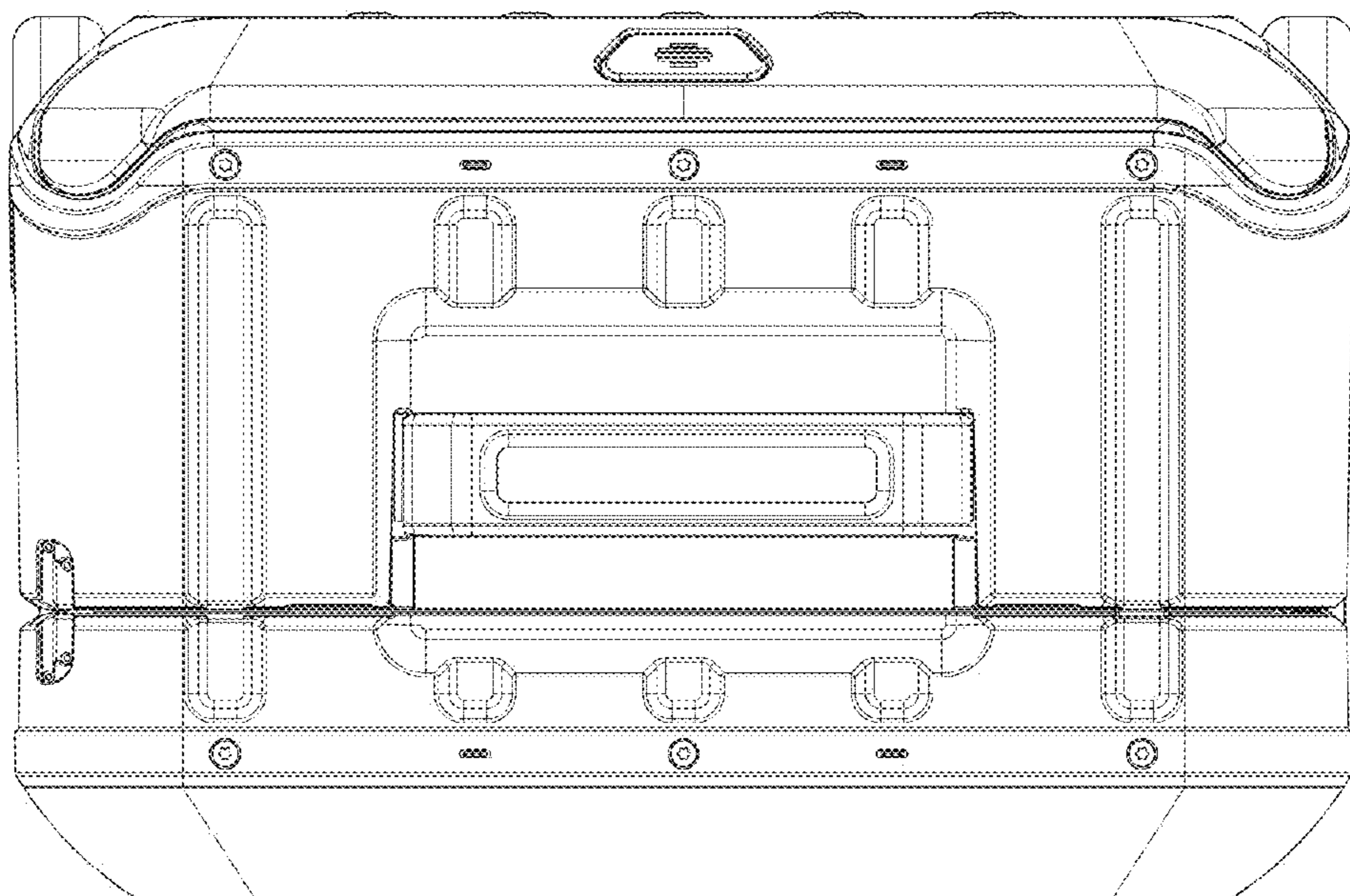


FIG. 6

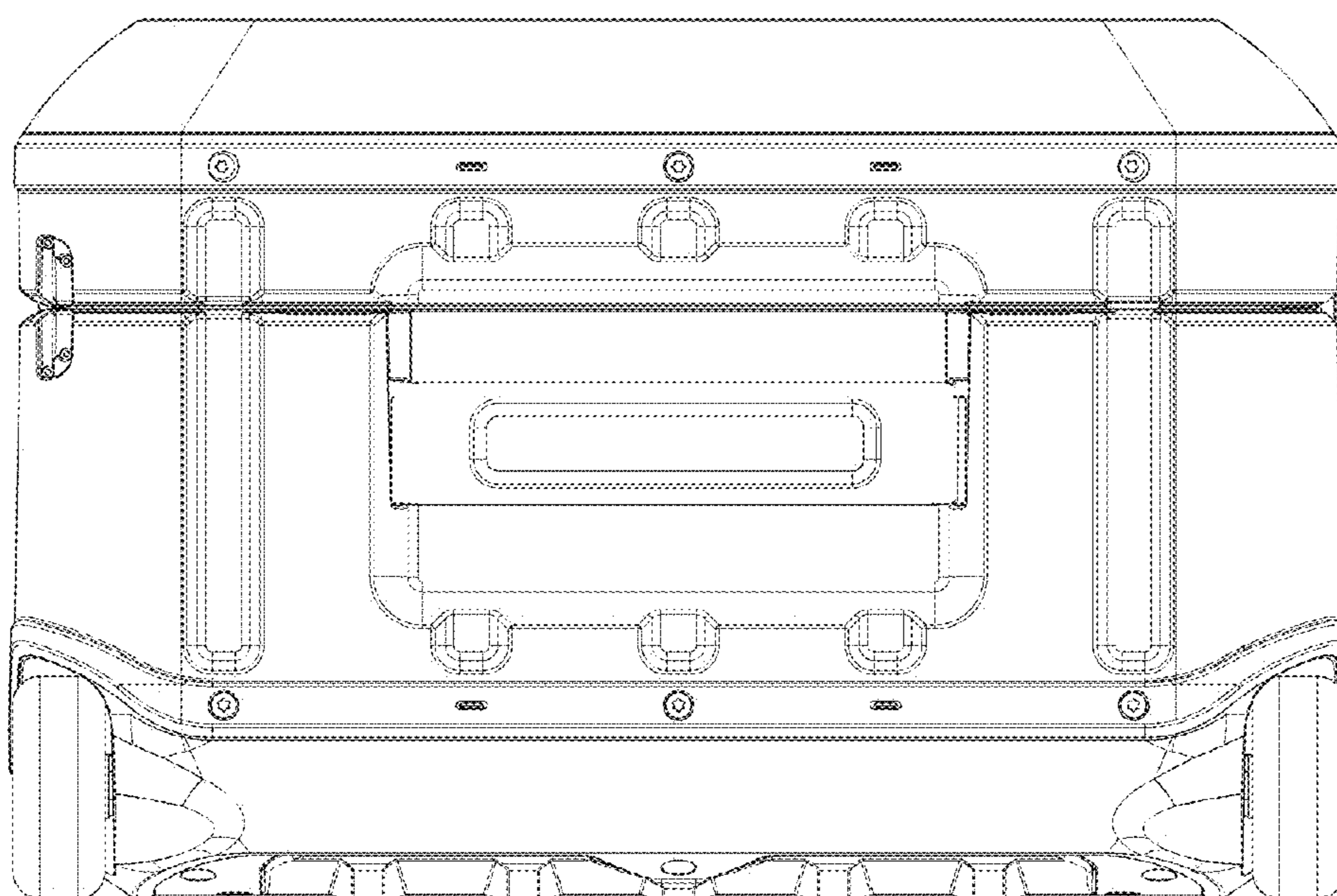


FIG. 7