

US00D752861S

(12) **United States Design Patent**
Monroe et al.

(10) **Patent No.:** **US D752,861 S**
(45) **Date of Patent:** **** Apr. 5, 2016**

- (54) **UTILITY TOTE PANEL INSERT**
- (71) Applicant: **Thirty-One Gifts LLC**, Columbus, OH (US)
- (72) Inventors: **Cynthia M. Monroe**, New Albany, OH (US); **Elizabeth Ann Swartzel**, Columbus, OH (US)
- (73) Assignee: **Thirty-One Gifts LLC**, Columbus, OH (US)
- (**) Term: **14 Years**
- (21) Appl. No.: **29/493,802**
- (22) Filed: **Jun. 13, 2014**
- (51) **LOC (10) Cl.** **03-01**
- (52) **U.S. Cl.**
USPC **D3/232**
- (58) **Field of Classification Search**
USPC D3/232, 233, 240–243, 245, 246, 303, D3/310, 315, 318, 319; 150/100, 103–110, 150/113, 114, 117–119; D7/605, 607
CPC A45C 1/024; A45C 3/06
See application file for complete search history.

(56) **References Cited**

U.S. PATENT DOCUMENTS

- 954,840 A * 4/1910 Wiedemann A45F 5/1046
190/102
- 1,559,046 A * 10/1925 McLeran A45C 7/0095
294/152
- 1,684,232 A * 9/1928 Levit A45C 3/12
190/13 F
- 2,507,842 A * 5/1950 Waddill B60R 7/043
224/547
- 2,679,877 A * 6/1954 Leggett B42F 7/04
383/39
- 2,697,465 A * 12/1954 Johnson A45C 15/00
2/48
- 3,041,638 A * 7/1962 Lo Vico A45C 9/00
190/2
- 3,533,459 A * 10/1970 Ody A45C 13/02
150/113

- 3,550,663 A * 12/1970 Johnston A45C 3/06
150/103
- 3,777,862 A * 12/1973 Zipper A45C 3/004
190/107
- 3,994,372 A * 11/1976 Geller A47D 15/003
190/107
- 4,101,994 A * 7/1978 Hoyt A45C 9/00
383/4
- D252,596 S * 8/1979 Adler D3/303
- 4,188,988 A * 2/1980 Agyagos A45C 9/00
190/2

(Continued)

Primary Examiner — Derrick Holland

Assistant Examiner — Jennifer O King

(74) *Attorney, Agent, or Firm* — Porter, Wright, Morris & Arthur, LLP

(57) **CLAIM**

The ornamental design for a utility tote panel insert, as shown and described.

DESCRIPTION

FIG. 1 is a front perspective view of a utility tote panel insert according to our new design, wherein the utility tote panel insert is in a folded configuration;

FIG. 2 is a rear view thereof;

FIG. 3 is a front view thereof;

FIG. 4 is a top view thereof;

FIG. 5 is a bottom view thereof;

FIG. 6 is a right-side view thereof;

FIG. 7 is a left-side view thereof;

FIG. 8 is a top perspective view of the utility tote panel insert of FIGS. 1 to 7, but wherein the utility tote panel insert is in a flat or unfolded configuration;

FIG. 9 is a bottom perspective view thereof;

FIG. 10 is a top view thereof;

FIG. 11 is a bottom view thereof;

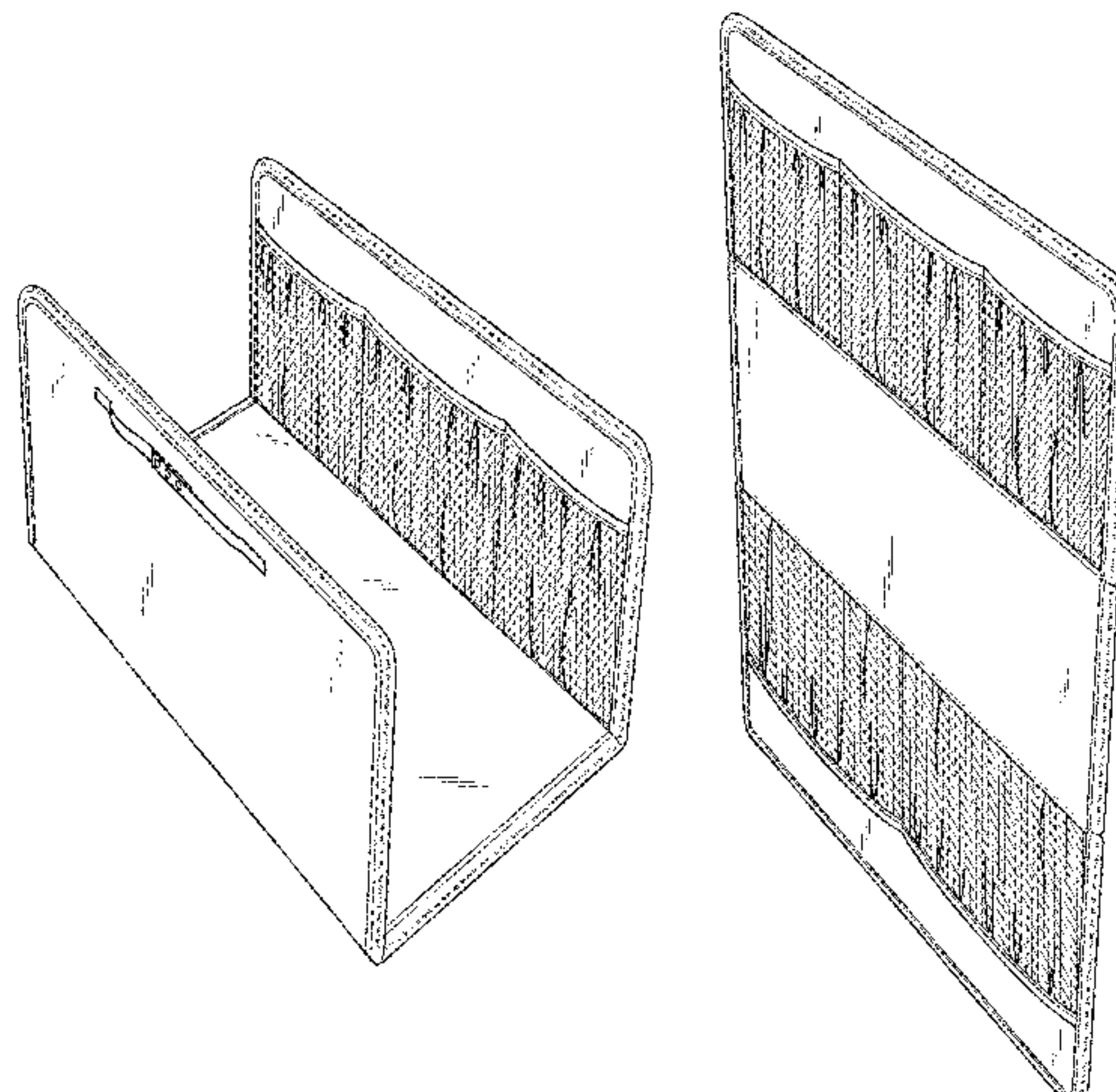
FIG. 12 is a rear view thereof;

FIG. 13 is a front view thereof; and,

FIG. 14 is a right-side view thereof, the left side view being a mirror image thereof.

The broken lines in the figures indicate stitching and form a part of the claimed design.

1 Claim, 8 Drawing Sheets



(56)

References Cited

U.S. PATENT DOCUMENTS

4,535,878	A *	8/1985	Grahl	A45C 3/10 190/1	7,028,870	B2 *	4/2006	Valdez-Campbell	A45C 7/0095 224/153
4,716,947	A *	1/1988	Haddock	A45C 3/00 150/105	D535,820	S *	1/2007	Kamiya	D3/246
D328,522	S *	8/1992	Buck	D3/303	D569,610	S *	5/2008	Wang	D3/246
D334,661	S *	4/1993	Kohn	D3/319	D572,472	S *	7/2008	Saconay-Duhart	D3/246
D347,115	S *	5/1994	Breedlove	D3/315	D587,010	S *	2/2009	Deck	D3/246
D354,399	S *	1/1995	Georges	D3/319	D593,752	S *	6/2009	de Natale	D3/303
D378,165	S *	2/1997	Tucker	D3/201	7,543,701	B2 *	6/2009	Suda	A45C 7/009 206/231
5,779,033	A *	7/1998	Roegner	A45C 11/16 206/6.1	D596,396	S *	7/2009	McCoy	D3/232
D397,871	S *	9/1998	Bellehchilli	D3/303	D600,918	S *	9/2009	Carlevale	D3/318
D408,146	S *	4/1999	Briganti	D3/319	D603,606	S *	11/2009	Wang	D3/232
5,911,463	A *	6/1999	Fesko	B65F 1/00 294/152	D630,013	S *	1/2011	Yu	D3/232
5,918,711	A *	7/1999	Godshaw	A45C 7/0077 190/107	D630,844	S *	1/2011	Wang	D3/232
D420,510	S *	2/2000	Rotan	D3/201	D637,809	S *	5/2011	Meldeau	D3/232
D422,411	S *	4/2000	Martin	D3/201	D641,549	S *	7/2011	Caldwell	D3/232
6,129,210	A *	10/2000	Rustemeyer	B25H 3/00 190/1	8,312,568	B2 *	11/2012	Marois	A41D 27/20 2/115
6,296,094	B1 *	10/2001	Knecht	A45C 7/0095 190/107	D679,091	S *	4/2013	Zidlick	D3/274
6,341,894	B1 *	1/2002	Quinones	B65D 33/14 383/13	D683,137	S *	5/2013	Davis	D3/315
D456,517	S *	4/2002	Kraska	D24/189	D688,449	S *	8/2013	Schinasi	D3/232
D460,622	S *	7/2002	Wong	D3/232	D711,096	S *	8/2014	Hanna	D3/232
D476,150	S *	6/2003	Stulman	D3/246	D717,040	S *	11/2014	Swartzel	D3/232
D491,354	S *	6/2004	Chapelier	D3/246	D720,925	S *	1/2015	Jones	D3/232
6,948,599	B2 *	9/2005	Rodrigue	A45C 13/02 190/107	D723,278	S *	3/2015	Van Migem	D3/315
6,994,050	B2 *	2/2006	Johnson	B63B 25/002 114/343	D732,294	S *	6/2015	Hu	D3/319
					D732,829	S *	6/2015	Johnson	D3/318
					D733,432	S *	7/2015	Johnson	D3/318
					D736,521	S *	8/2015	Tarter	D3/310
					D744,235	S *	12/2015	Eskandry	D3/303
					2003/0164216	A1 *	9/2003	Starr	A45C 13/02 150/105
					2013/0201666	A1 *	8/2013	Melamed	A45C 3/08 362/156

* cited by examiner

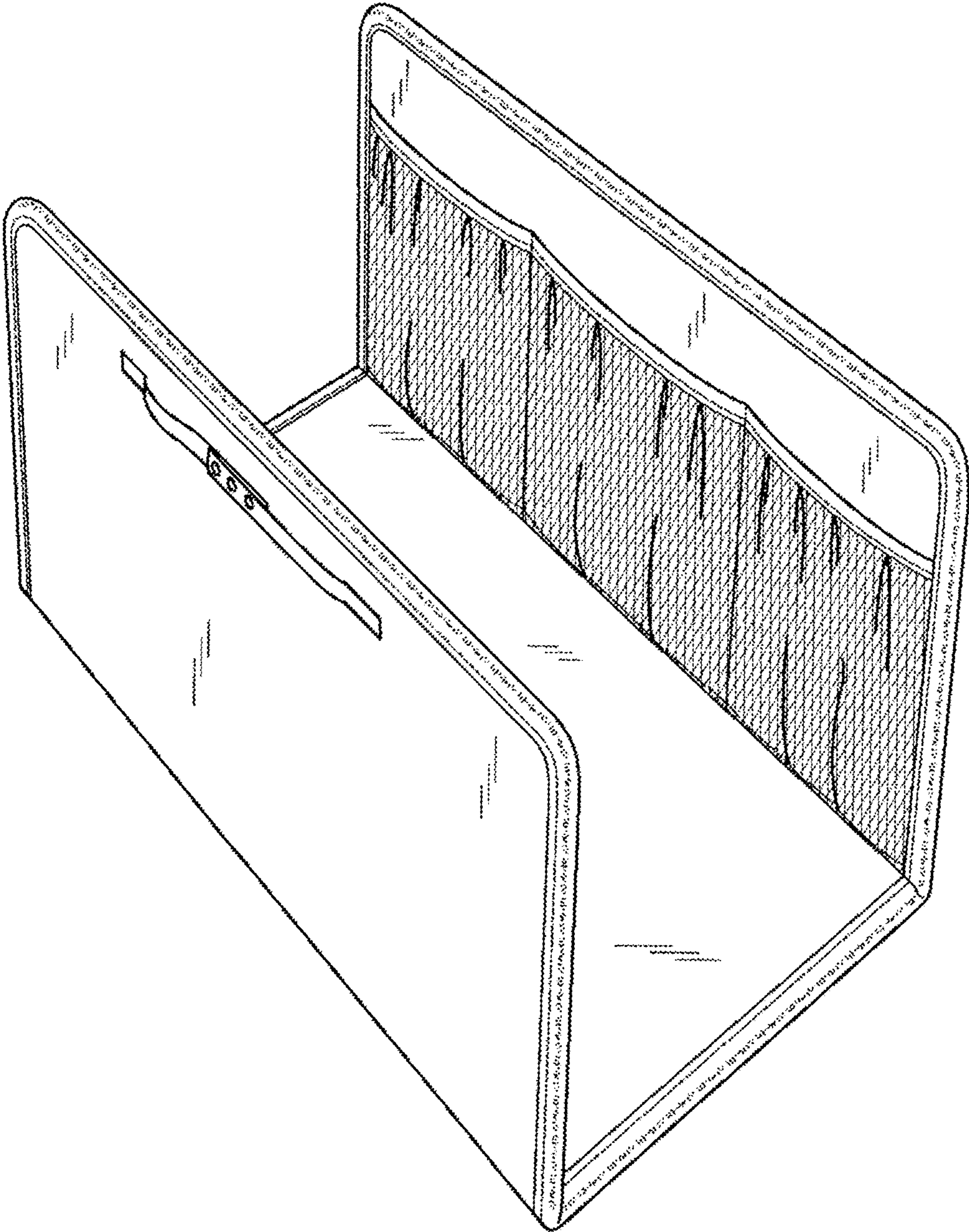


FIG. 1

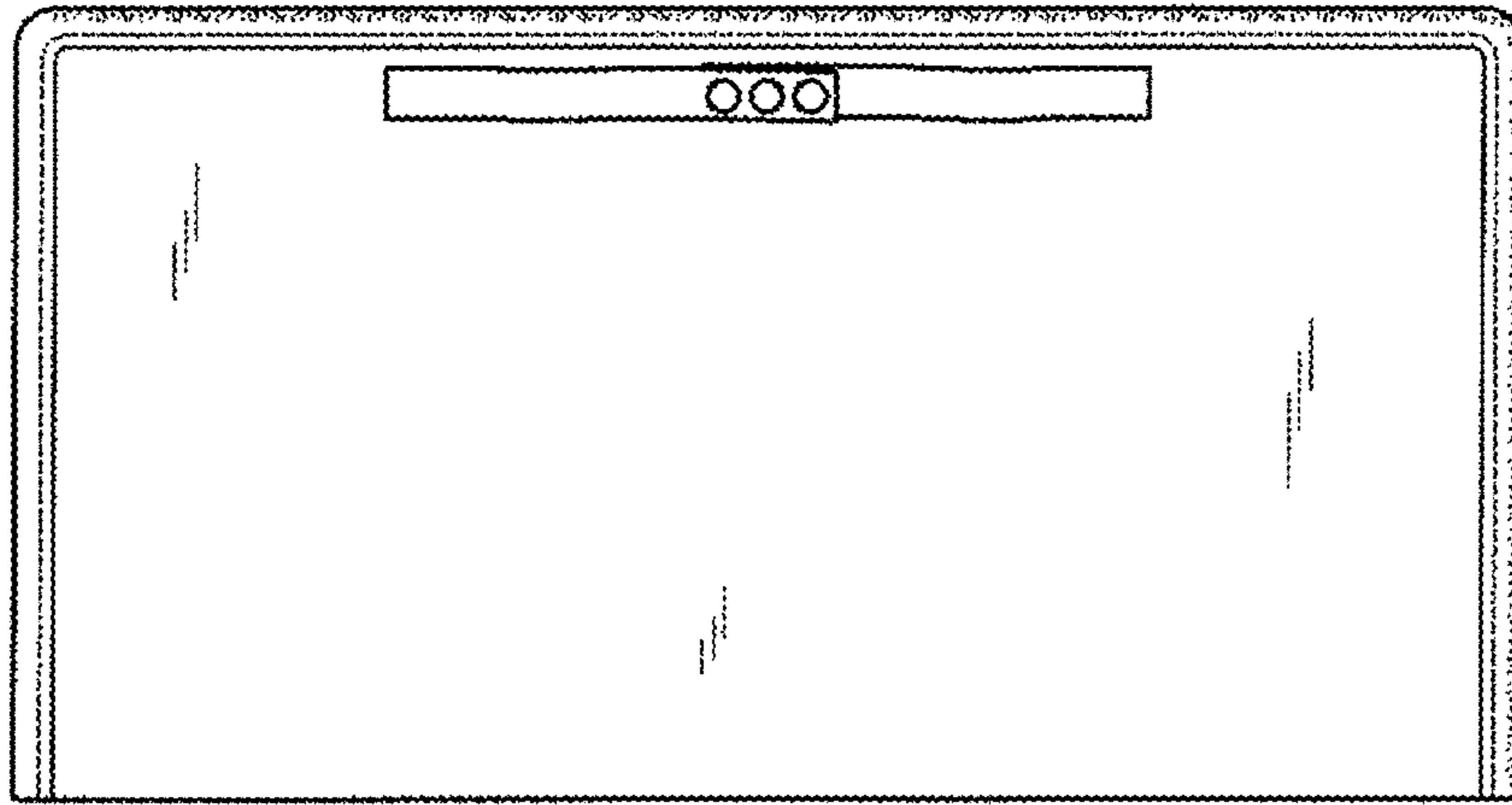


FIG. 2

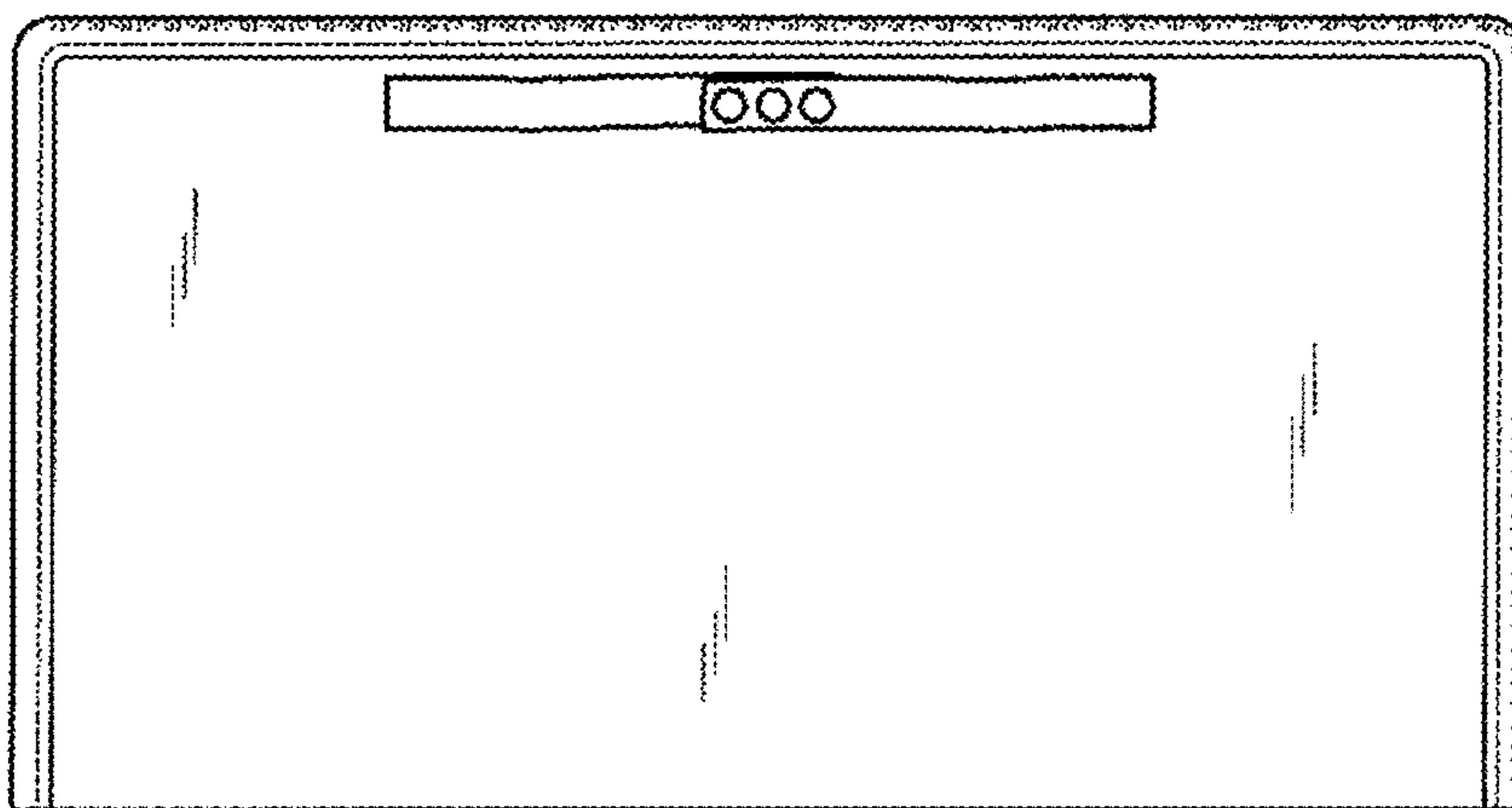


FIG. 3

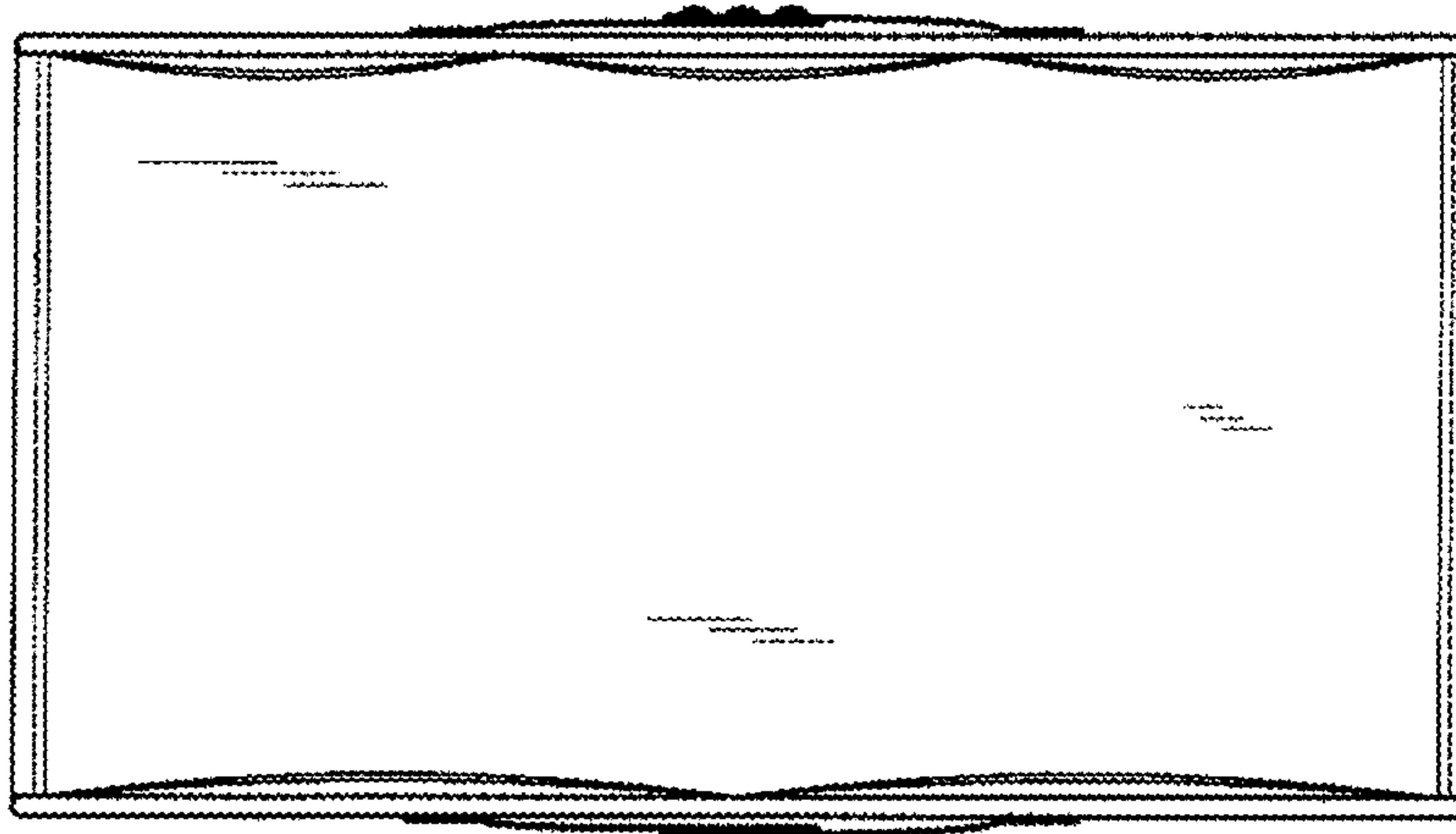


FIG. 4

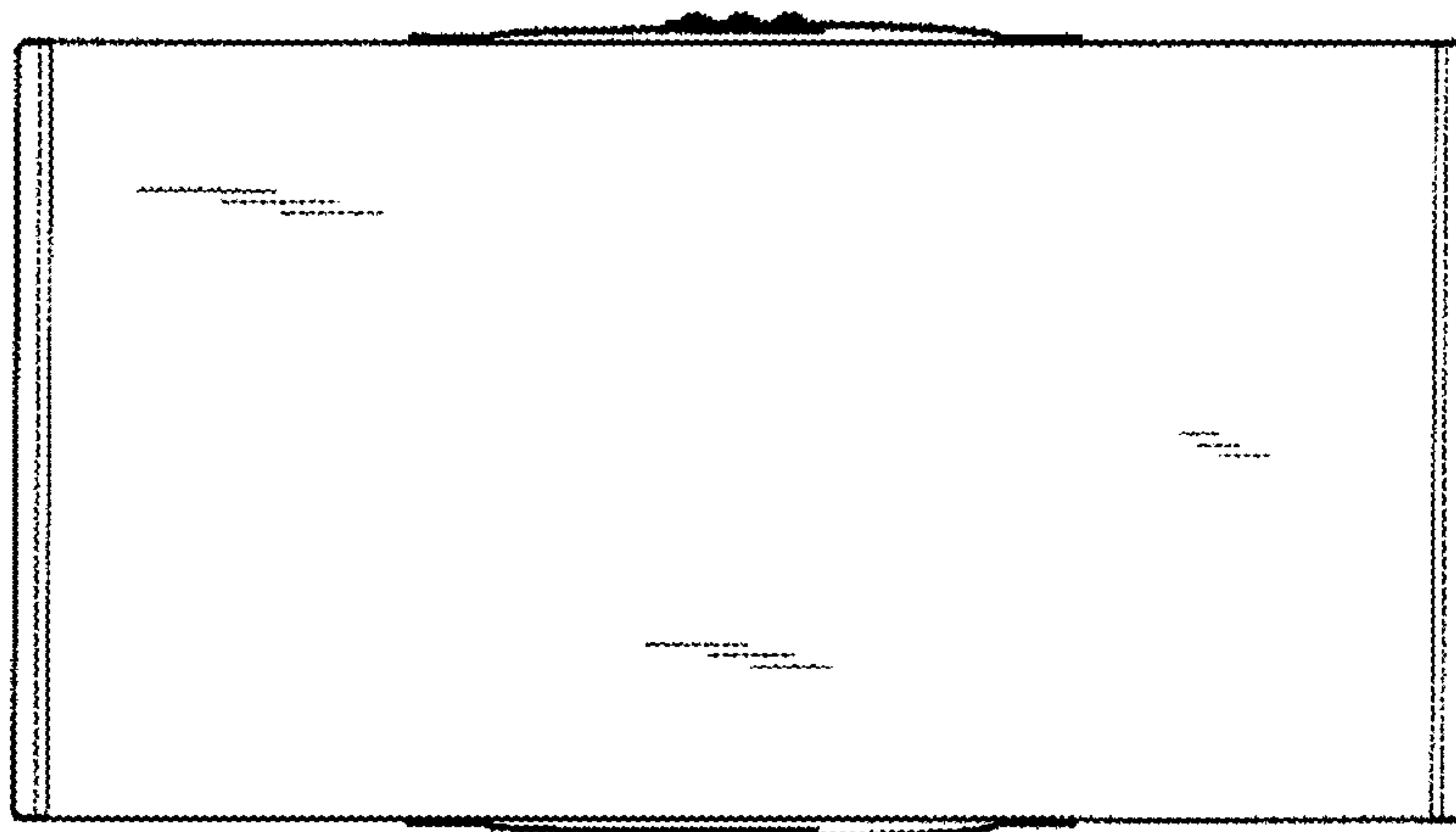


FIG. 5

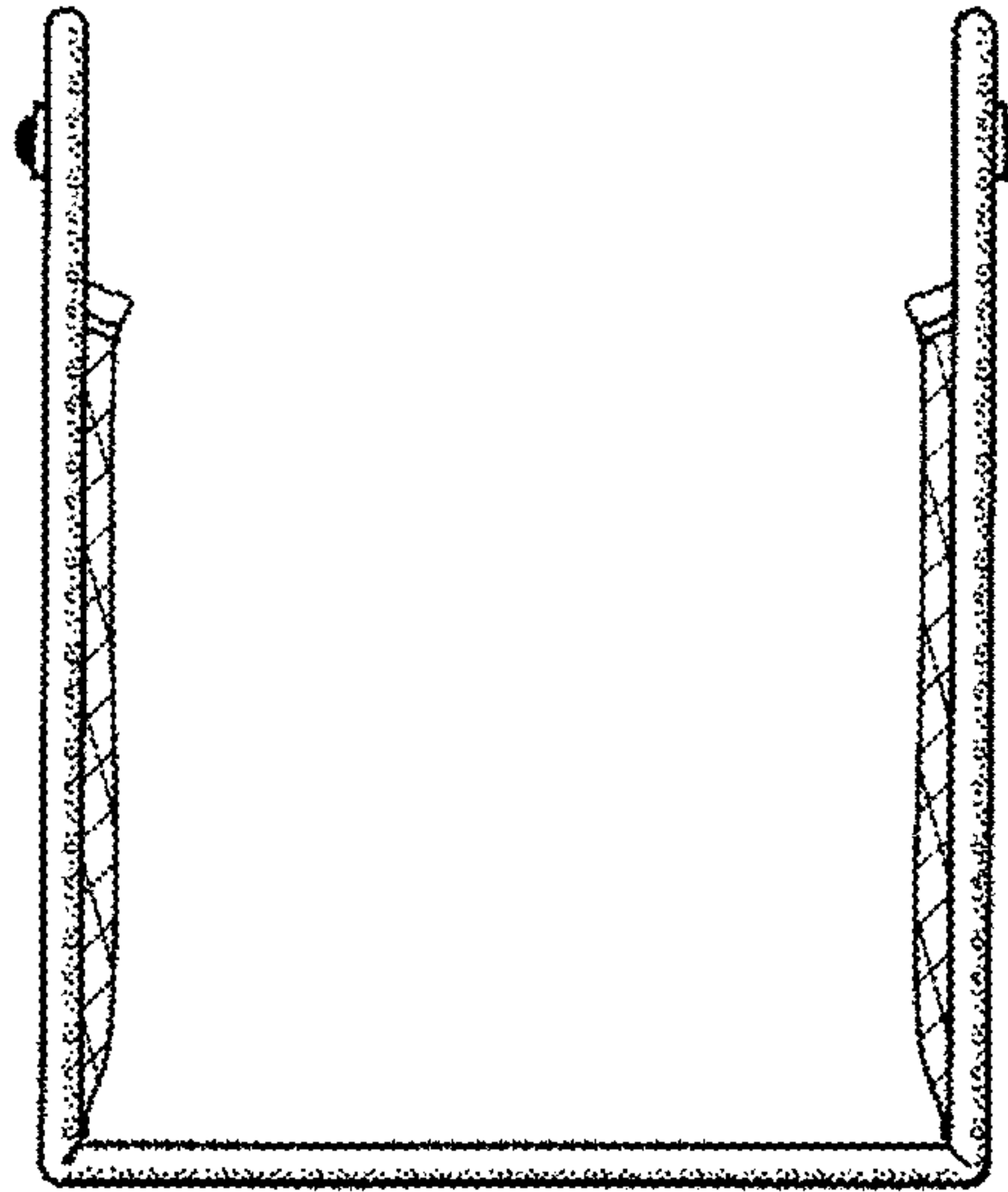


FIG. 6

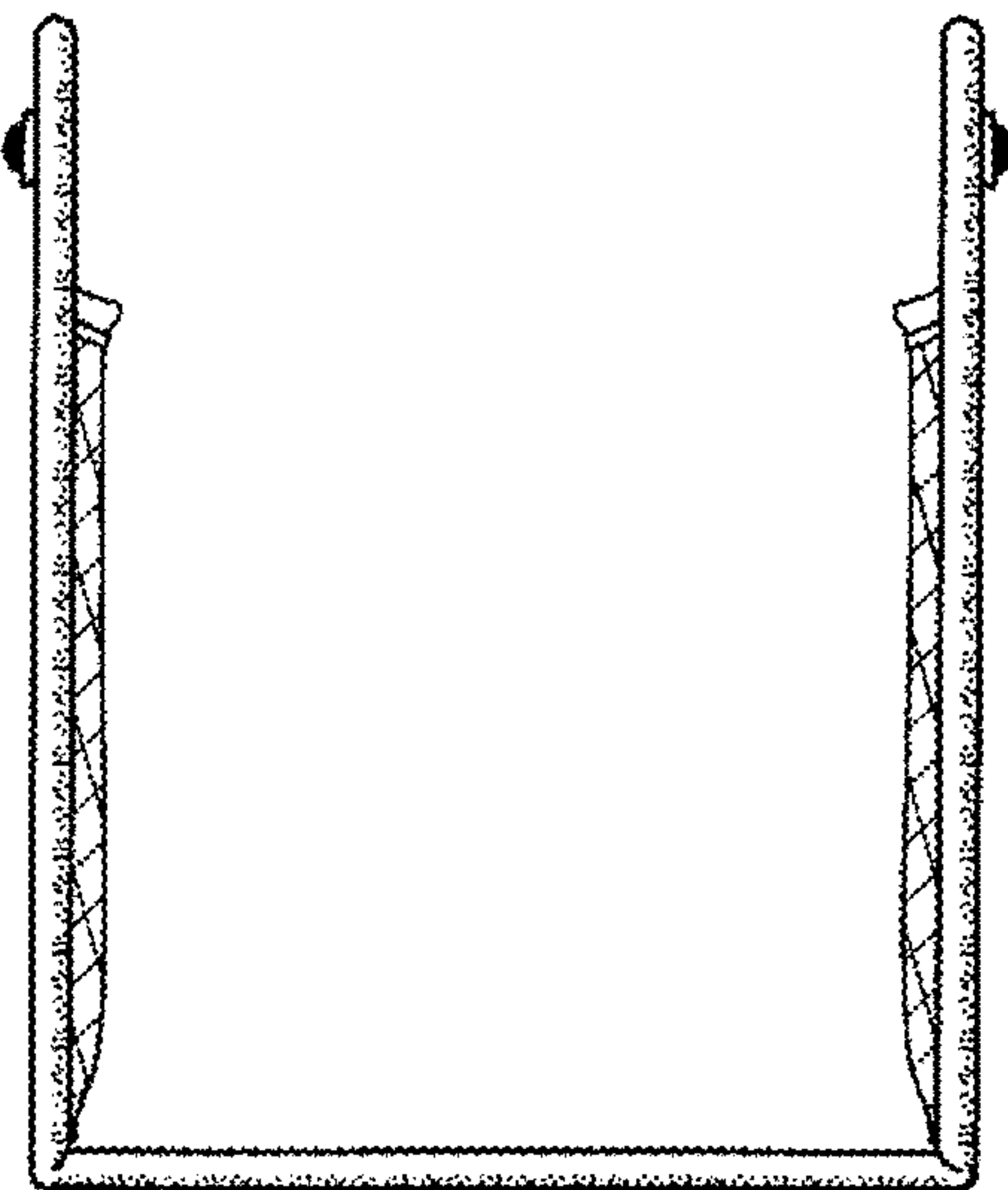


FIG. 7

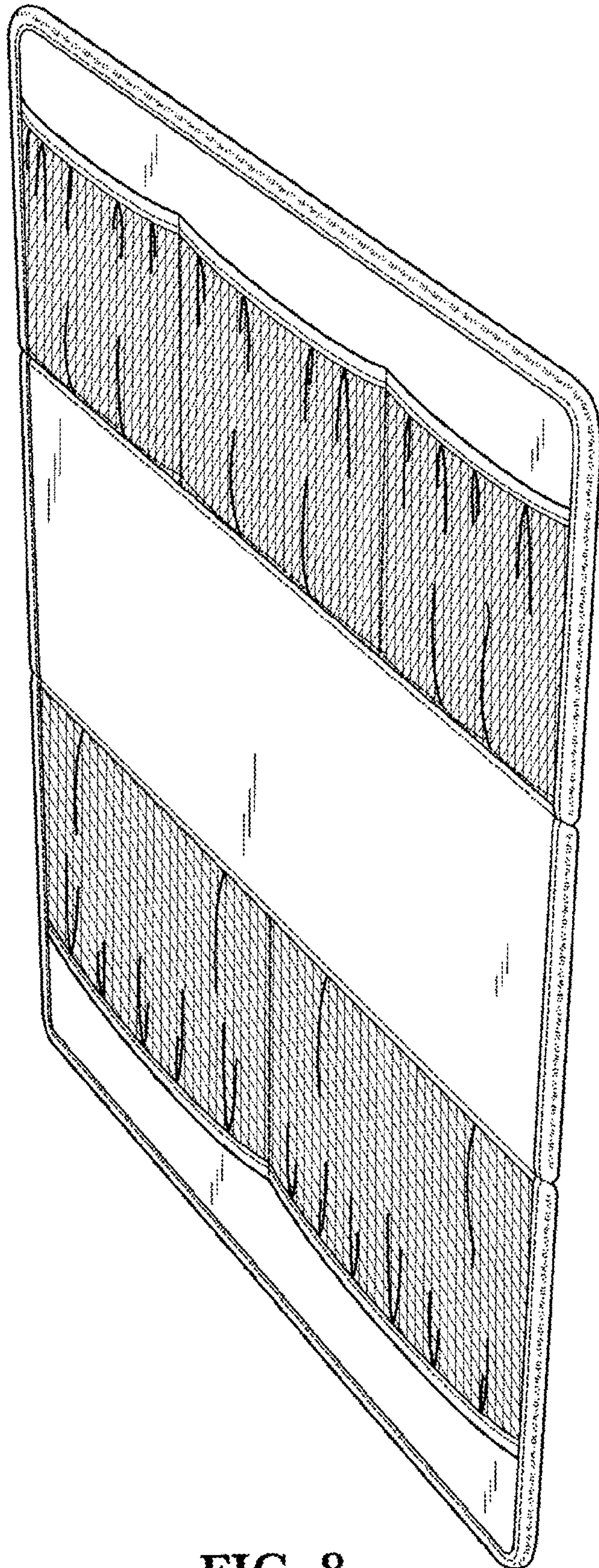


FIG. 8

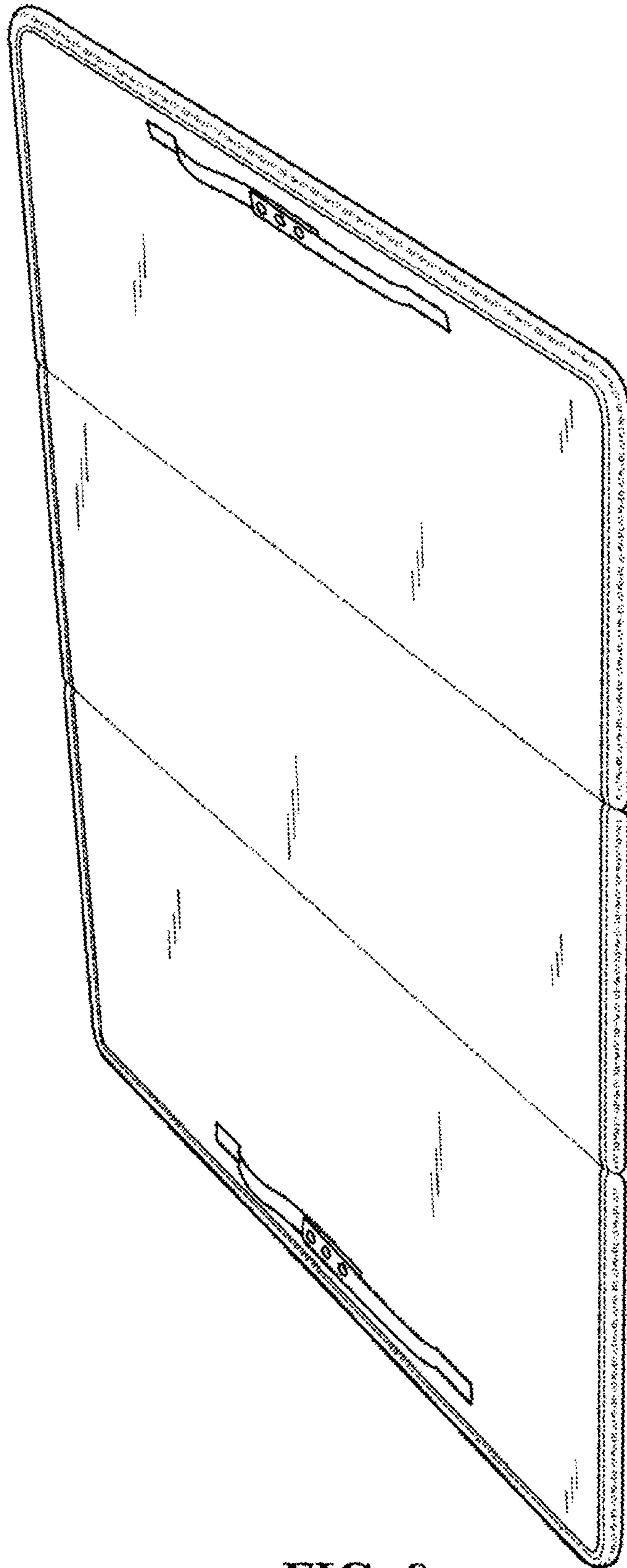


FIG. 9

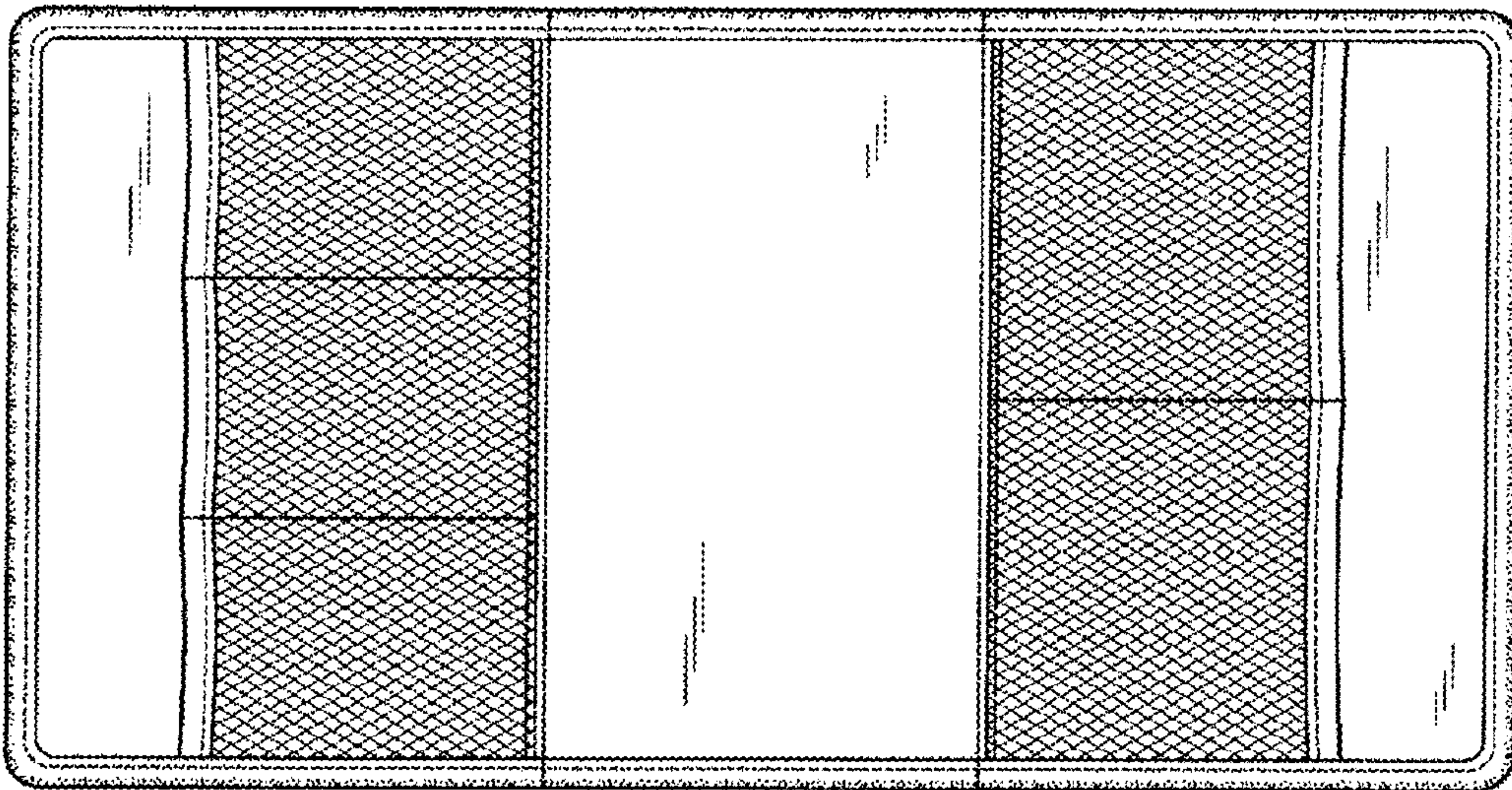


FIG. 10

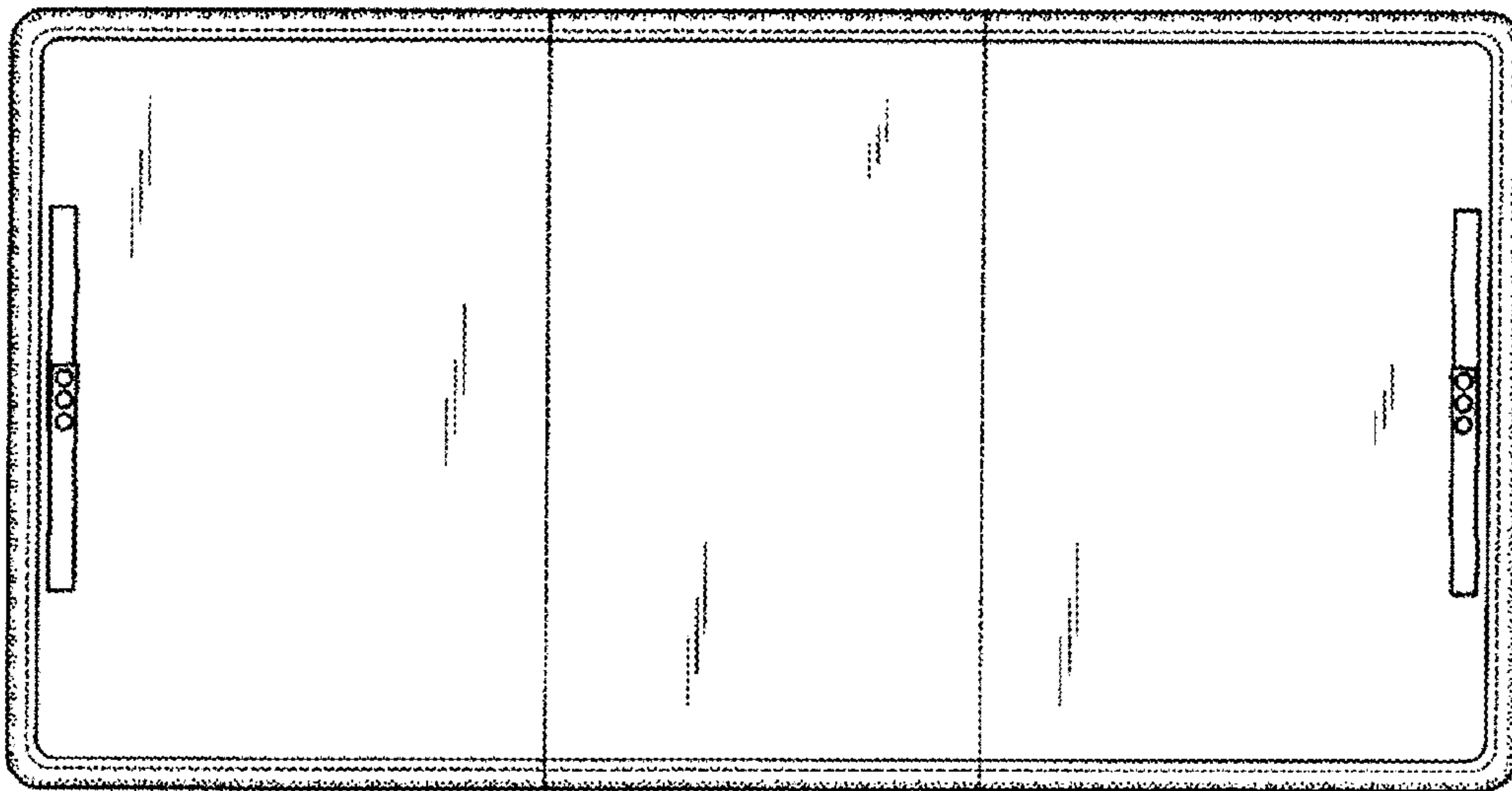


FIG. 11



FIG. 12



FIG. 13

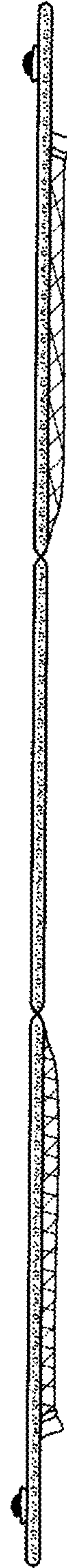


FIG. 14