



US00D752860S

(12) **United States Design Patent**
Barilaro et al.

(10) **Patent No.:** **US D752,860 S**
(45) **Date of Patent:** **** Apr. 5, 2016**

(54) **CONVERTIBLE TOTE AND BACKPACK**

(71) Applicant: **The Gem Group, Inc.**, Lawrence, MA (US)

(72) Inventors: **Danea Marie Barilaro**, Jamaica Plain, MA (US); **Brian Lewis Piper**, Arlington, MA (US)

(73) Assignee: **The Gem Group, Inc.**, Lawrence, MA (US)

(**) Term: **14 Years**

(21) Appl. No.: **29/487,555**

(22) Filed: **Apr. 9, 2014**

(51) **LOC (10) Cl.** **03-01**

(52) **U.S. Cl.**
USPC **D3/232**

(58) **Field of Classification Search**
USPC D3/232–233, 240–246
CPC A45C 1/024; A45C 3/08
See application file for complete search history.

(56) **References Cited**

U.S. PATENT DOCUMENTS

D358,024 S *	5/1995	Wilson	D3/233
D383,903 S *	9/1997	Kopel	D3/233
D442,364 S *	5/2001	Guyon	D3/246
D587,451 S *	3/2009	Guichot	D3/246

OTHER PUBLICATIONS

Alite Designs, “Bike to the Beach Bag”, “downloaded from <http://shop.alitedeigns.com/bike-to-the-beach-bag.html>”, Jul. 18, 2014.
Orox Leather Co., “Backpack Tote—Green/tan”, “downloaded from <http://www.oxleather.com/products/backpack-tote-green>”, Jul. 18, 2014, Published in: US.

Qwstion, “Qwstion Home Page”, “downloaded from <http://www.qwstion.com/us/>”, Apr. 14, 2014.

Rushfaster.com, “Qwstion Convertible Tote / Backpack—Washed Grey”, “downloaded from <http://rushfaster.com.au/product/qwstion/convertible-tote-backpack-washedgrey/7654>”, Apr. 14, 2014, Published in: AU.

* cited by examiner

Primary Examiner — Holly Baynham

(74) *Attorney, Agent, or Firm* — Loginov & Associates, PLLC; William A. Loginov

(57) **CLAIM**

The ornamental design for a convertible tote and backpack, substantially as shown.

DESCRIPTION

FIG. 1 is a perspective view of a convertible tote and backpack as a tote showing our new design;

FIG. 2 is a front view of the convertible tote and backpack as a tote;

FIG. 3 is a rear view of the convertible tote and backpack as a tote;

FIG. 4 is a right side view of the convertible tote and backpack as a tote;

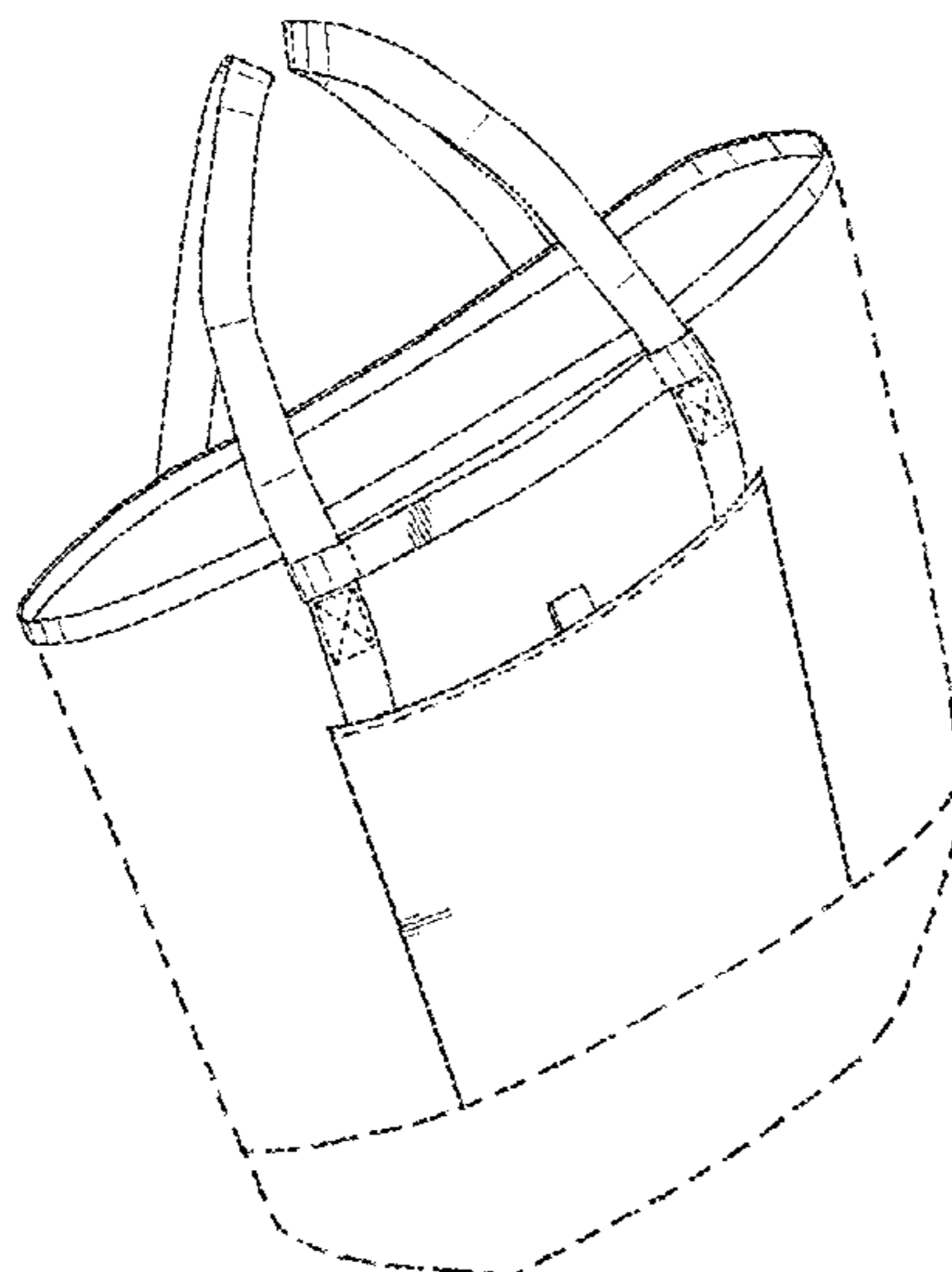
FIG. 5 is a left side view of the convertible tote and backpack as a tote;

FIG. 6 is a top view of the convertible tote and backpack as a tote; and,

FIG. 7 is a bottom view of the convertible tote and backpack as a tote.

The broken lines showing the body of the bag and stitching are for the purposes of illustrating environment and form no part of the claimed design.

1 Claim, 5 Drawing Sheets



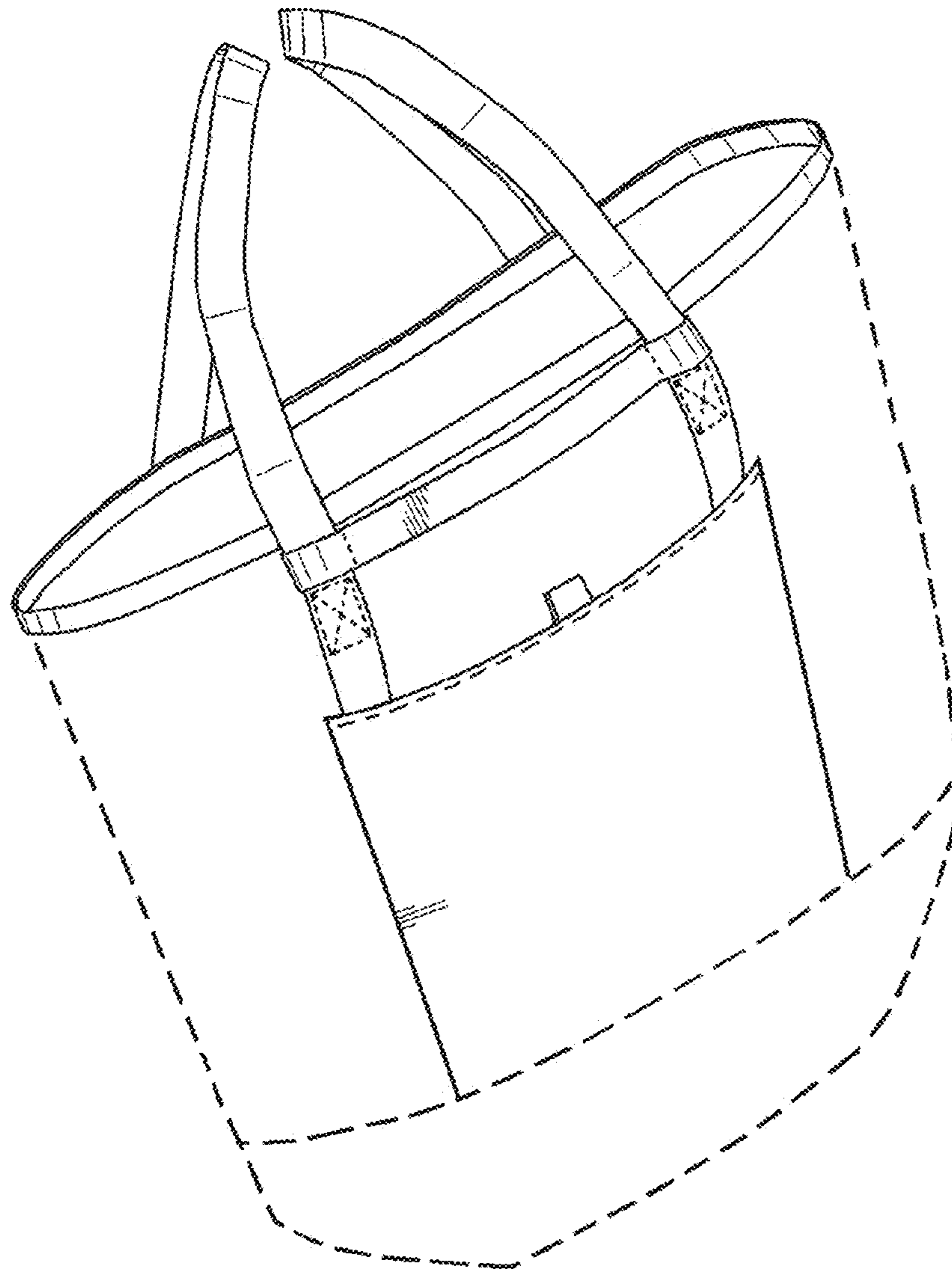


FIG. 1

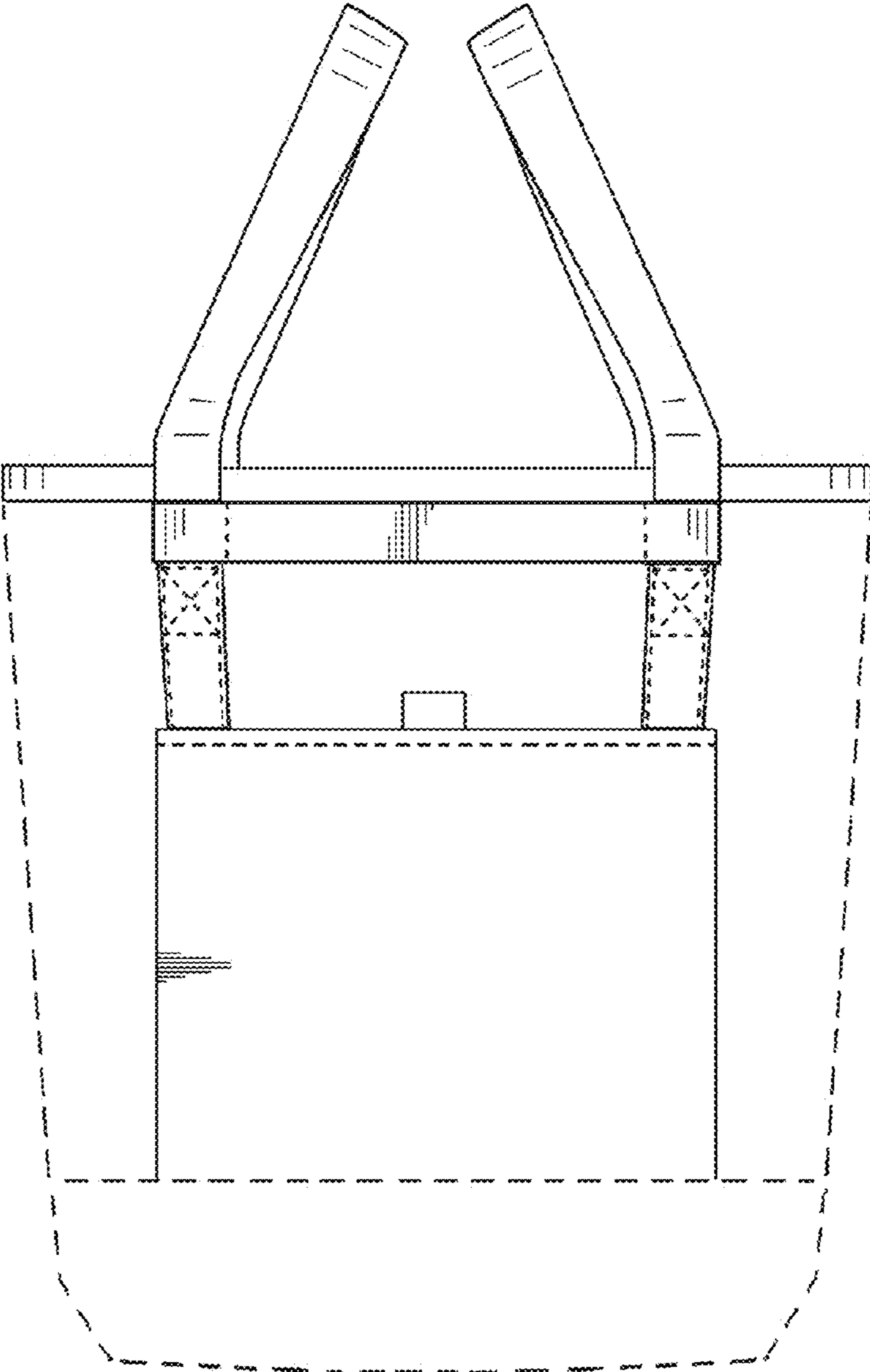


FIG. 2

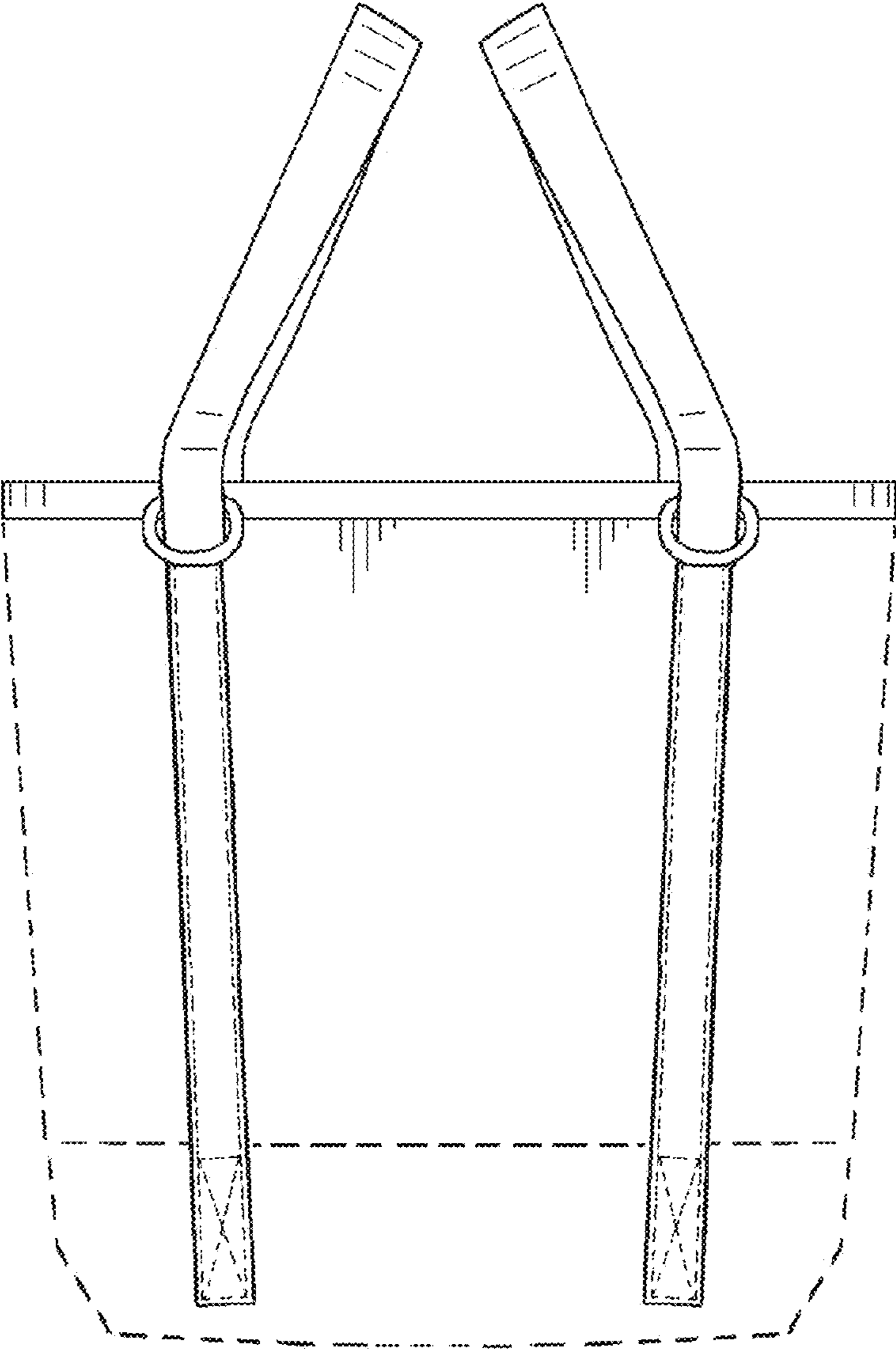


FIG. 3

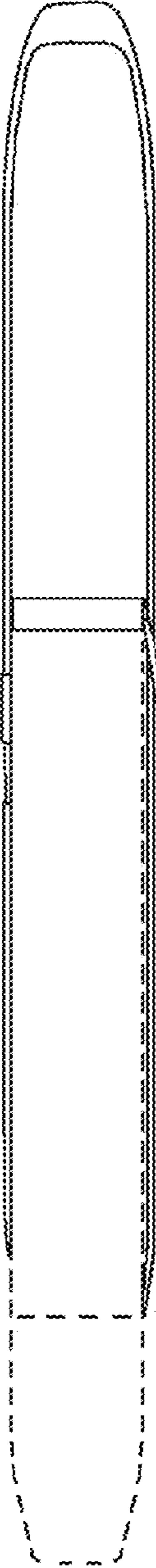


FIG. 4

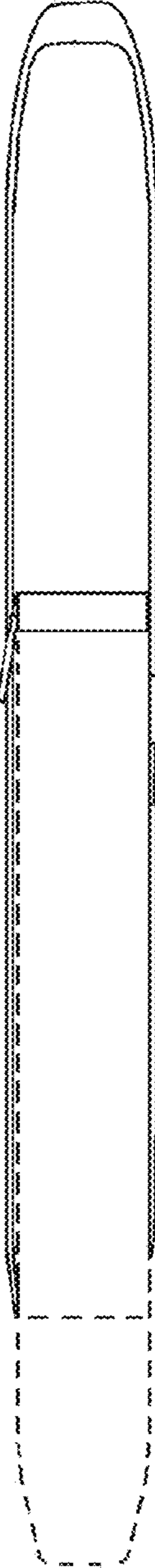


FIG. 5

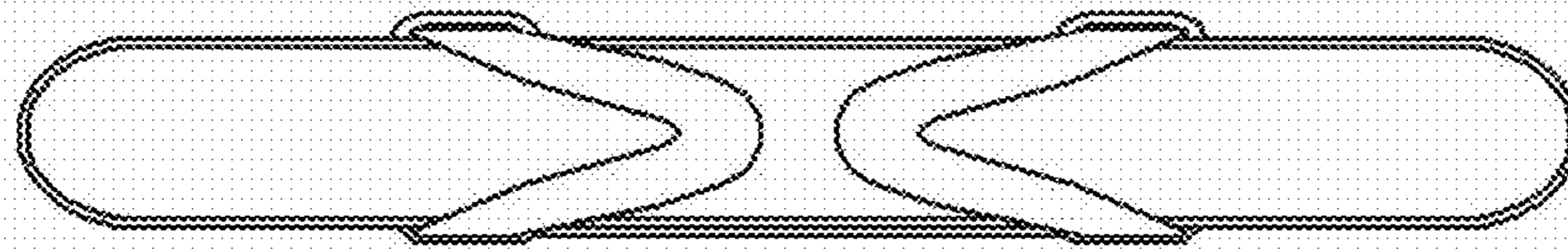


FIG. 6

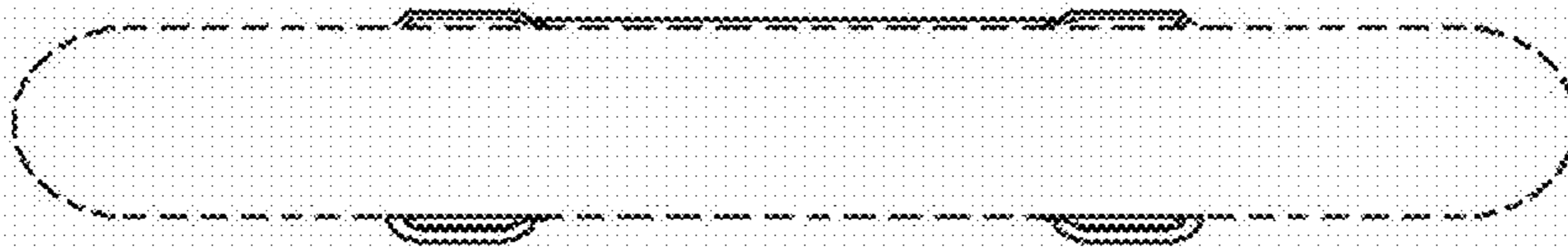


FIG. 7