



US00D752858S

(12) **United States Design Patent**
Hamilton

(10) **Patent No.:** **US D752,858 S**
(45) **Date of Patent:** **** Apr. 5, 2016**

- (54) **PORTABLE ARTICLE CARRIER**
- (71) Applicant: **SIMPLE.BE LLC**, Lake Oswego, OR (US)
- (72) Inventor: **Brett Hamilton**, Tualatin, OR (US)
- (73) Assignee: **SIMPLE.BE LLC**, Lake Oswego, OR (US)
- (**) Term: **14 Years**
- (21) Appl. No.: **29/507,876**
- (22) Filed: **Oct. 31, 2014**
- (51) **LOC (10) Cl.** **03-01**
- (52) **U.S. Cl.**
USPC **D3/218**
- (58) **Field of Classification Search**
USPC D3/201, 215, 218–219, 221, 224, 226, D3/228–229, 303; 224/148.6, 219, 222, 224/240, 245–246, 250, 267, 269, 671–675, 224/236, 575, 930, 587, 197, 217; 294/25, 294/150; 24/3.12, 16 F, 17 B, 303, 3.2; 455/575.1–575.8; 206/305, 320; D14/250–251
See application file for complete search history.

(56) **References Cited**

U.S. PATENT DOCUMENTS

551,359 A 12/1885 Braillard
1,816,284 A 7/1931 Hughes

(Continued)

FOREIGN PATENT DOCUMENTS

CA 2395918 A1 1/2004

OTHER PUBLICATIONS

Brett Hamilton, Smart Phone Holster, Sep. 2008 (Public Disclosure), SIMPLE.BE LLC, Lake Oswego, OR.

(Continued)

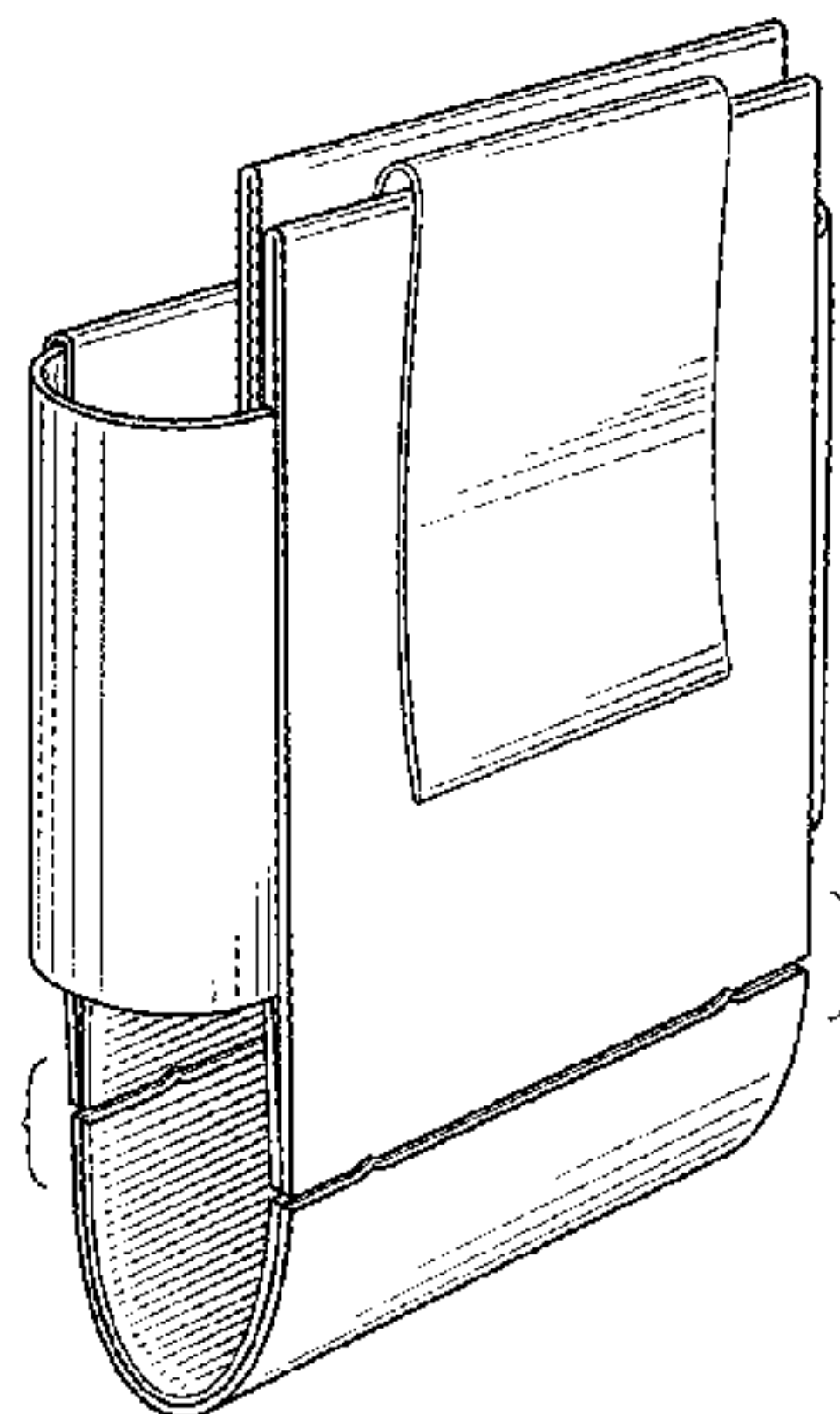
Primary Examiner — Catheri Oliver-Garcia
(74) *Attorney, Agent, or Firm* — Stone Creek Services LLC; Alan M Flum

(57) **CLAIM**
The ornamental design for a portable article carrier, as shown and described.

DESCRIPTION

FIG. 1 is a top, front, and left side perspective view of a portable article carrier showing my new design;
 FIG. 2 is a front elevation view thereof;
 FIG. 3 is a rear elevation view thereof;
 FIG. 4 is a left side elevation view thereof;
 FIG. 5 is a right side elevation view thereof;
 FIG. 6 is a top plan view thereof;
 FIG. 7 is a bottom plan view thereof;
 FIG. 8 is a top, rear, and right side perspective view of the portable article carrier of FIG. 1.
 FIG. 9 is a top, front, and left side perspective view of a second embodiment of a portable article carrier showing my new design;
 FIG. 10 is a front elevation view of the portable article carrier of FIG. 9;
 FIG. 11 is a rear elevation view of the portable article carrier of FIG. 9;
 FIG. 12 is a left side elevation view of the portable article carrier of FIG. 9;
 FIG. 13 is a right side elevation view of the portable article carrier of FIG. 9;
 FIG. 14 is a top plan view of the portable article carrier of FIG. 9;
 FIG. 15 is a bottom plan view of the portable article carrier of FIG. 9; and,
 FIG. 16 is a top, rear, and right side perspective view of the portable article carrier of FIG. 9.
 The surface shading illustrated in the drawings is provided merely to highlight the contour of the design; it is not intended to be illustrative of texture or surface ornamentation. The broken lines in FIGS. 10-16 illustrate portions of the portable article carrier that form no part of the claimed design. The broken away and bracketed portions in FIGS. 1-5, 8-13 and 16 indicate that no particular length is claimed for those portions; such lines and any portion of the article between such lines form no part of the claimed design.

1 Claim, 10 Drawing Sheets



(56)

References Cited

U.S. PATENT DOCUMENTS

3,127,076	A	3/1964	Tebbs
3,813,017	A	5/1974	Pimsleur
4,057,757	A	11/1977	Darden
D258,021	S	1/1981	Bonaventura
4,399,934	A	8/1983	Dupont
4,420,104	A	12/1983	DiIenno
D275,815	S	10/1984	DiIenno
D281,830	S	12/1985	Hengesbach
D293,857	S	1/1988	Stout et al.
4,982,885	A	1/1991	Severson et al.
5,104,076	A	4/1992	Goodall
5,147,079	A	9/1992	Heather
5,184,762	A	2/1993	Nevitt
D347,522	S	6/1994	Beltran
5,535,928	A	7/1996	Herring
5,622,346	A	4/1997	Story, Jr.
5,806,730	A	9/1998	Deno
D419,392	S	1/2000	Schlebusch
6,056,174	A	5/2000	Minckler
6,076,789	A	6/2000	Jackson
6,081,695	A	6/2000	Wallace et al.
6,321,958	B1	11/2001	Erdmann
6,412,674	B1	7/2002	Lipke
D467,069	S	12/2002	TenHoeve
6,533,150	B1	3/2003	Margo et al.
D490,237	S	5/2004	Hardge
D517,314	S	3/2006	Moyer
D540,031	S	4/2007	Bouchard
D547,618	S	7/2007	Exler
7,640,632	B2	1/2010	Lazarus
D654,265	S	2/2012	Roy
8,162,285	B2	4/2012	Rooker
D682,544	S	5/2013	Raich
8,573,458	B1	11/2013	Hamilton
2007/0205244	A1	9/2007	Hewes, Jr.
2008/0121673	A1	5/2008	Timm et al.
2009/0127304	A1	5/2009	Uygur

OTHER PUBLICATIONS

Revised Pre-Examination Search Docket, U.S. Appl. No. 13/803,532, Attachable Portable Article Carrier, Inventor: Brett Hamilton, Apr. 30, 2013, United States Patent and Trademark Office, Alexandria, VA.

Revised Accelerated Examination Support Document, U.S. Appl. No. 13/803,532, Attachable Portable Article Carrier, Inventor: Brett Hamilton, Apr. 30, 2013, United States Patent and Trademark Office, Alexandria, VA.

Non-Final Office Action, U.S. Appl. No. 13/803,532, Attachable Portable Article Carrier, Inventor: Brett Hamilton, Inventor: Brett Hamilton, Jun. 6, 2012, United States Patent and Trademark Office, Alexandria, VA.

Response to Non-Final Action, U.S. Appl. No. 13/803,532, Attachable Portable Article Carrier, Inventor: Brett Hamilton, Jul. 2, 2012, United States Patent and Trademark Office, Alexandria, VA.

Notice of Allowance, U.S. Appl. No. 13/803,532, Attachable Portable Article Carrier, Inventor: Brett Hamilton, Jul. 23, 2012, United States Patent and Trademark Office, Alexandria, VA.

"Portable Article Carrier", Unpublished U.S. Appl. No. 14/050,315, Inventor: Brett Hamilton, Applicant: SIMPLE.BE LLC, Filing Date: Oct. 9, 2013, United States Patent and Trademark Office, Alexandria, VA.

"Carrier for Portable Articles", Unpublished U.S. Appl. No. 14/074,493, Inventor: Brett Hamilton, Applicant: SIMPLE.BE LLC, Filing Date: Nov. 7, 2013, United States Patent and Trademark Office, Alexandria, VA.

Bagaboo Cellphone Holster, accessed on the Internet at: <http://www.bagaboo.hu/en/catalogue/cell-phone-holster> on Nov. 22, 2013.

Archive Cell Holster V.2, accessed on the Internet at: <http://archivebag.com/holster.html#holster1> on Nov. 22, 2013.

Brett Hamilton, Photos of Smart Phone Holster in Four Views, public use on Jan. 2008, SIMPLE.BE LLC, Lake Oswego, OR.

"Portable Article Carrier", Unpublished U.S. Appl. No. 29/478,197, Inventor: Brett Hamilton, Applicant: SIMPLE.BE LLC, Filing Date: Feb. 14, 2014, United States Patent and Trademark Office, Alexandria, VA.

"Portable Article Carrier", Unpublished U.S. Appl. No. 29/478,200, Inventor: Brett Hamilton, Applicant: SIMPLE.BE LLC, Filing Date: Feb. 14, 2014, United States Patent and Trademark Office, Alexandria, VA.

"Portable Article Carrier", Unpublished U.S. Appl. No. 29/478,205, Inventor: Brett Hamilton, Applicant: SIMPLE.BE LLC, Filing Date: Feb. 14, 2014, United States Patent and Trademark Office, Alexandria, VA.

"Portable Article Carrier", Unpublished U.S. Appl. No. 29/478,208, Inventor: Brett Hamilton, Applicant: SIMPLE.BE LLC, Filing Date: Feb. 14, 2014, United States Patent and Trademark Office, Alexandria, VA.

"Portable Article Carrier", Unpublished U.S. Appl. No. 29/478,216, Inventor: Brett Hamilton, applicant: SIMPLE.BE LLC, Filing Date: Feb. 14, 2014, United States Patent and Trademark Office, Alexandria, VA.

"Portable Article Carrier", Unpublished U.S. Appl. No. 29/486,462, Inventor: Brett Hamilton, Applicant: SIMPLE.BE LLC, Filing Date: Mar. 29, 2014, United States Patent and Trademark Office, Alexandria, VA.

Maxpedition CPM, accessed on the Internet at: <http://www.maxpedition.com/store/pc/CP-M-8p2.htm> on Jan. 2, 2013.

Maxpedition #0109, accessed on the Internet at: <http://www.maxpedition.com/store/pc/4-5-CLIP-ON-PHONE-HOLSTER-p441.htm> on Jan. 2, 2013.

Maxpedition 3.5" Clip-on Phone Holster, accessed on the Internet at: <http://www.maxpedition.com/store/pc/3-5-CLIP-ON-PHONE-HOLSTER-p413.htm> on Jan. 2, 2013.

SumoStrap Assembly Instructions, pp. 1-2, Estimated Date of Publication: as early as Jan. 1, 2004, Fastcap Inc., Bellingham, WA.

Innovation, Fastcap 2004 Catalog, p. 14, Jan. 1, 2004, Fastcap Inc., Bellingham, WA.

Heavy-Duty Phone Holder by Dewalt, accessed on the Internet at: <http://www.constructiongear.com/dewalt-heavy-duty-cell-phone-holder-5126.html> on Jan 4, 2013.

Belt Cell Phone/Camera Holder, accessed on the Internet at: <http://www.reliableracing.com/detail.cfm?edp=10927572> on Jan. 5, 2013.

SwimAndTri: Fuel Belt Cell phone holder, accessed on the Internet at: http://www.swimandtri.com/Scripts/Fuel_Belt_Cell_phone_holder_Product341.aspx on Jan. 5, 2013.

McGuire-Nicholas Cell Rider Cell Phone Holder at The Home Depot, accessed on the Internet at: <http://www.homedepot.com/buy/mcguire-nicholas-cellrider-cell-phone-holder-31509.html#>.

UOj0AYmEEoY on Jan. 5, 2013.

Holster Pouch, accessed on the Internet at: www.boxwave.com/holsters/holster-pouch/bwpds/pw/ on Mar. 1, 2013.

Heavy Guard PDA Pouch with Belt Clip, accessed on the Internet at: <http://www.militaryuniformsupply.com/pda-pouch-with-belt-clip> on Jan. 2, 2013.

Sedio Horizontal Leather Case, accessed on the Internet at: www.seidioonline.com/blackberry-pearl-8100-horizontal-leather-case-p/d-csl3bb8100-hc.htm on Mar. 1, 2013.

Clearing Clutter in Cars, Jan. 22, 2004, The Early Show, CBSNews.com, accessed on the Internet at: web.archive.org/web/20040810150547/http://www.cbsnews.com/stories/2004106121/earlyshow/living/main625174.shtml on Mar. 4, 2013.

Galls: Phone Holders, accessed on the Internet at: www.galls.com/CGBCSRCH?PMVVTNO=00000000001577 on Mar. 1, 2013.

"Portable Article Carrier", Unpublished U.S. Appl. No. 29/507,873, Inventor: Brett Hamilton, Applicant: SIMPLE.BE LLC, Filing Date: Oct. 31, 2014, United States Patent and Trademark Office, Alexandria, VA.

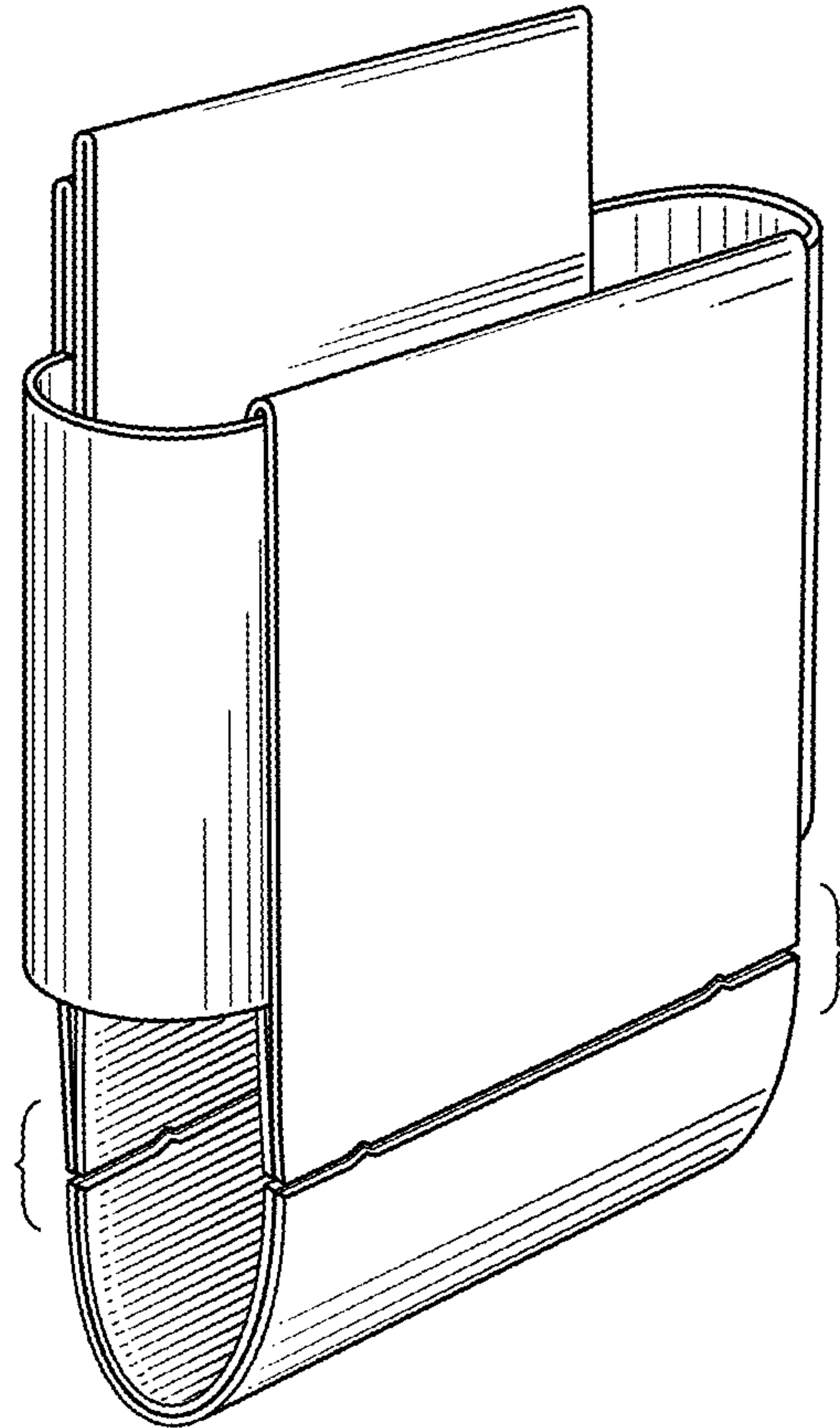


FIG. 1

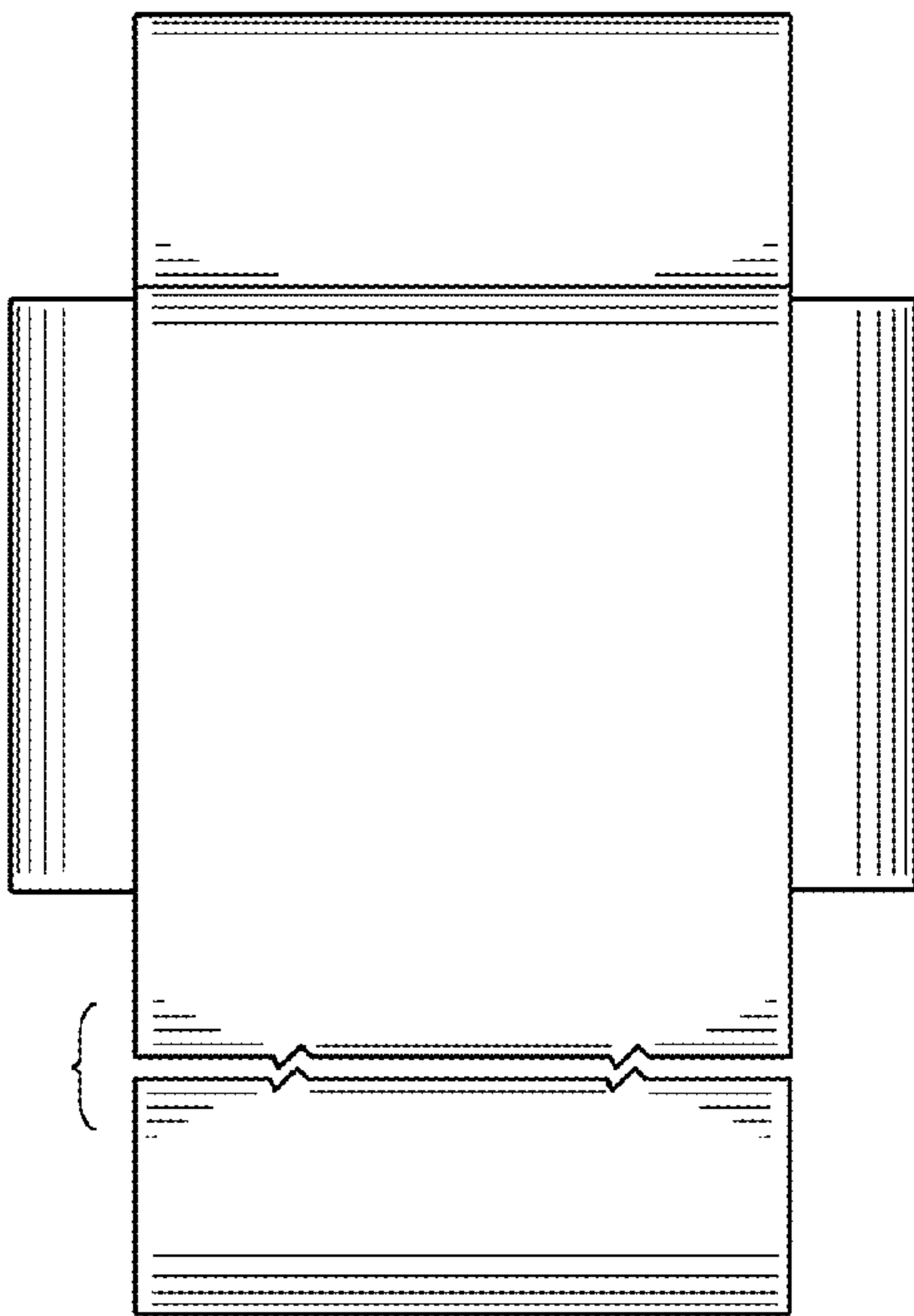


FIG. 2

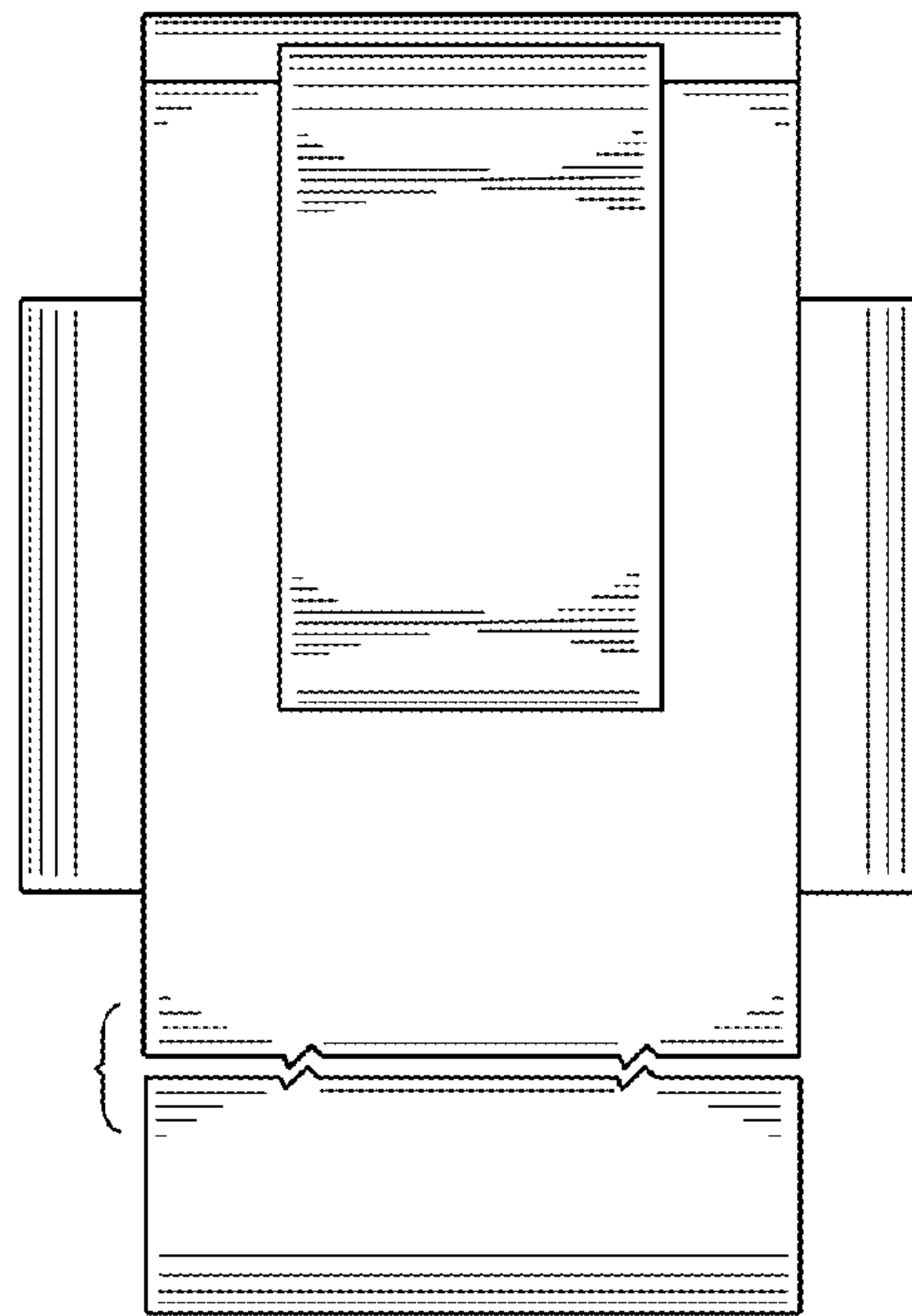


FIG. 3

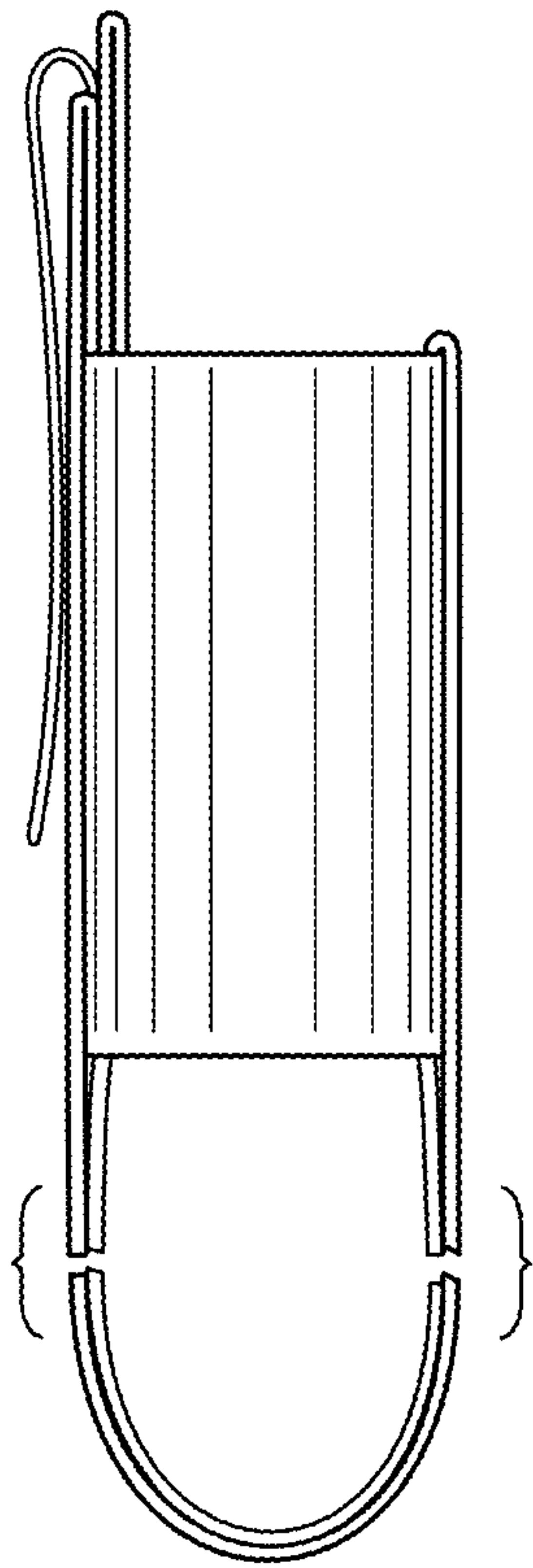


FIG. 4

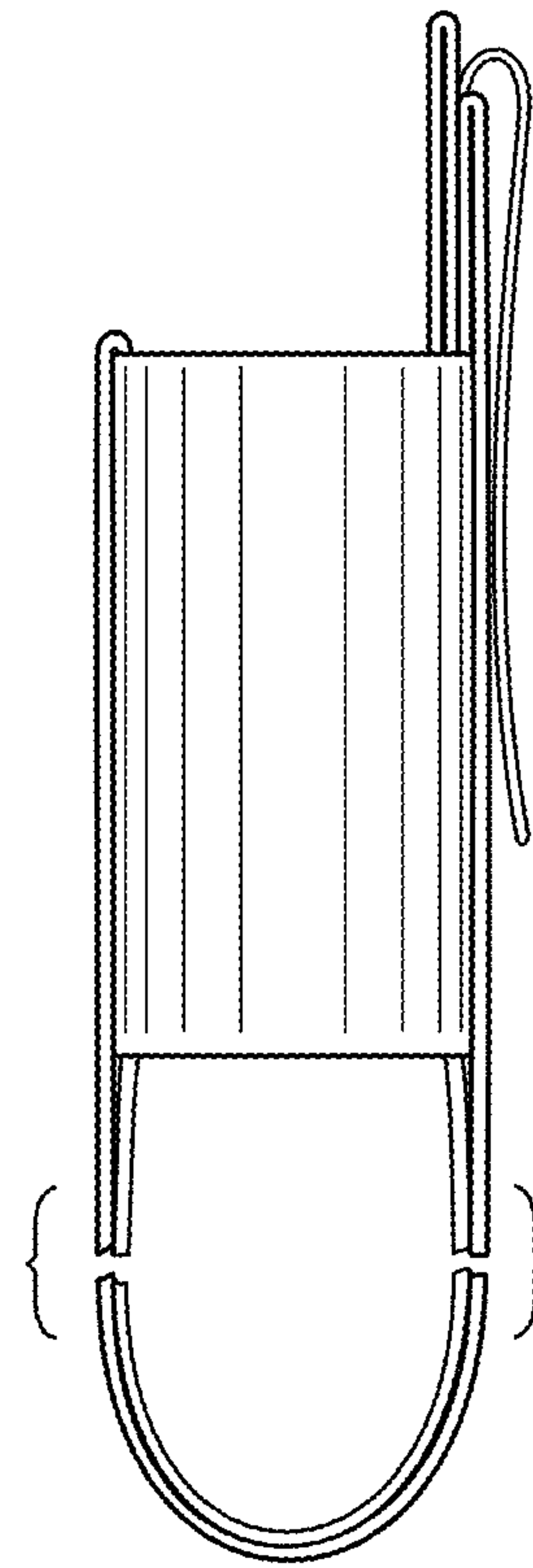


FIG. 5

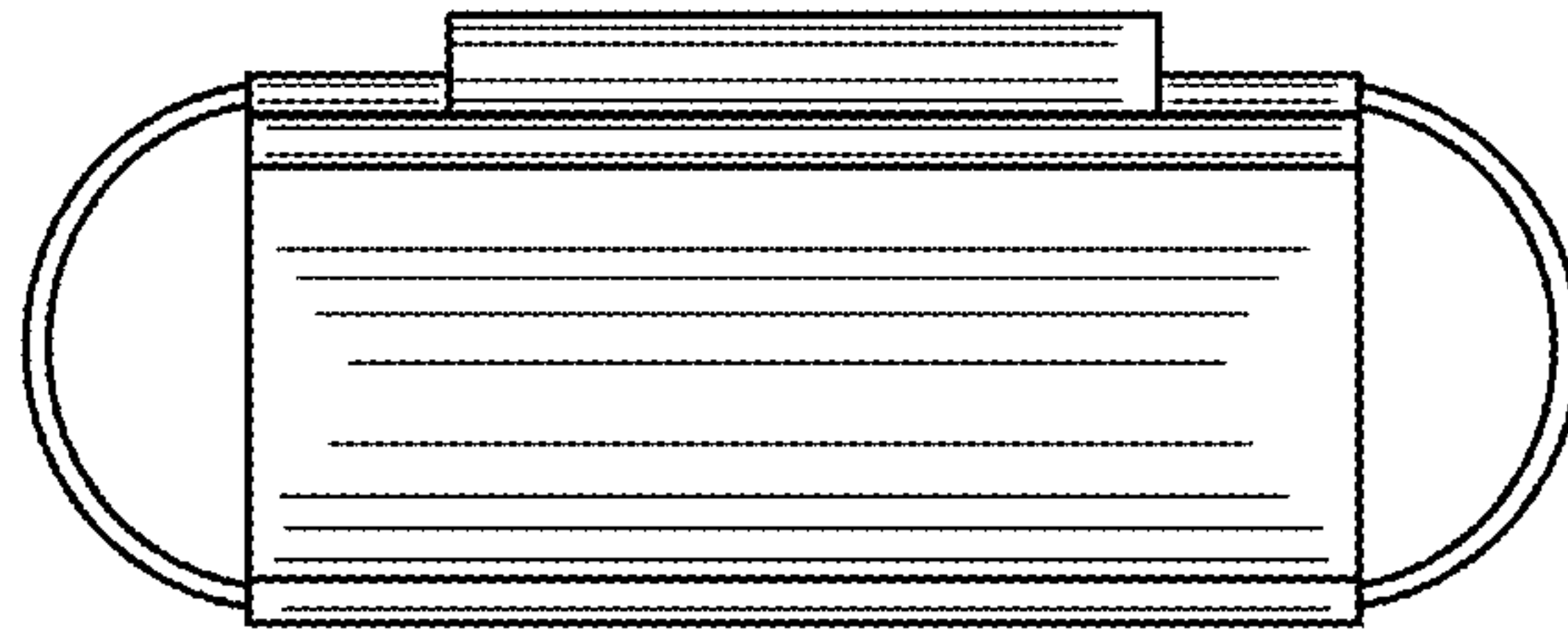


FIG. 6

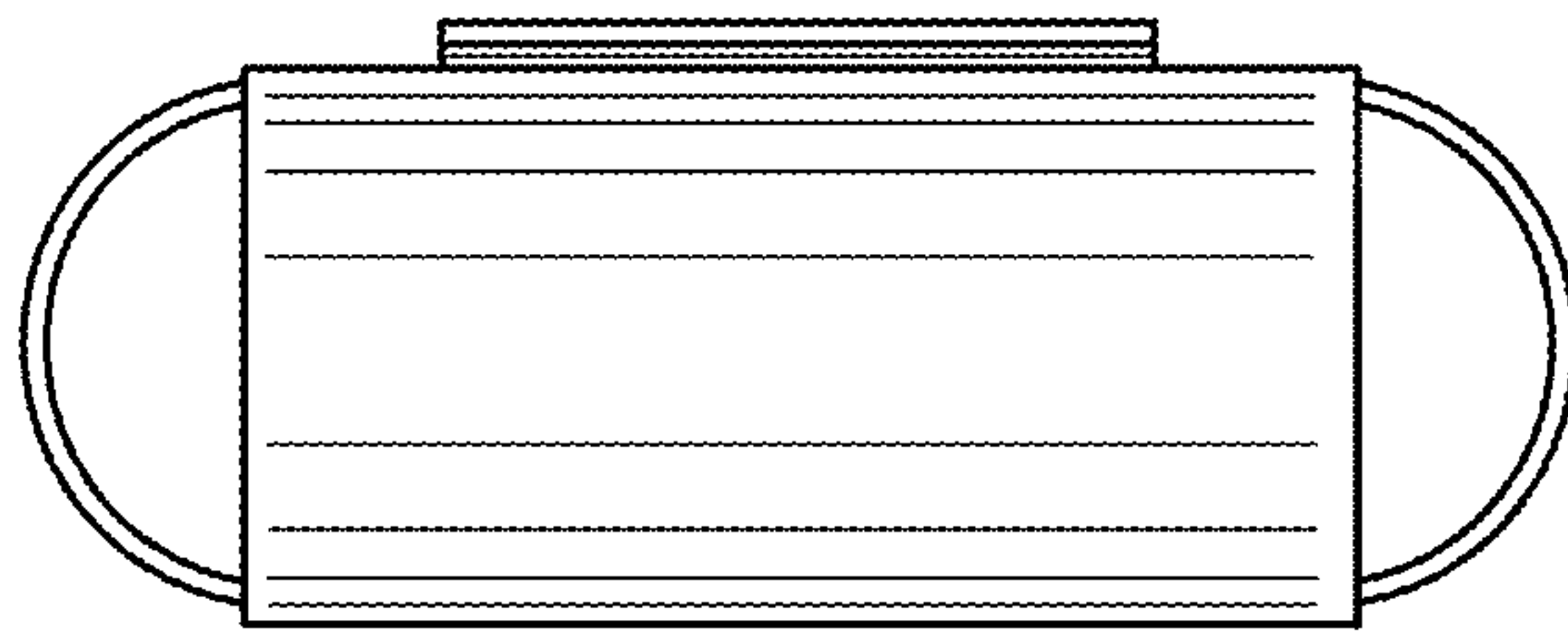


FIG. 7

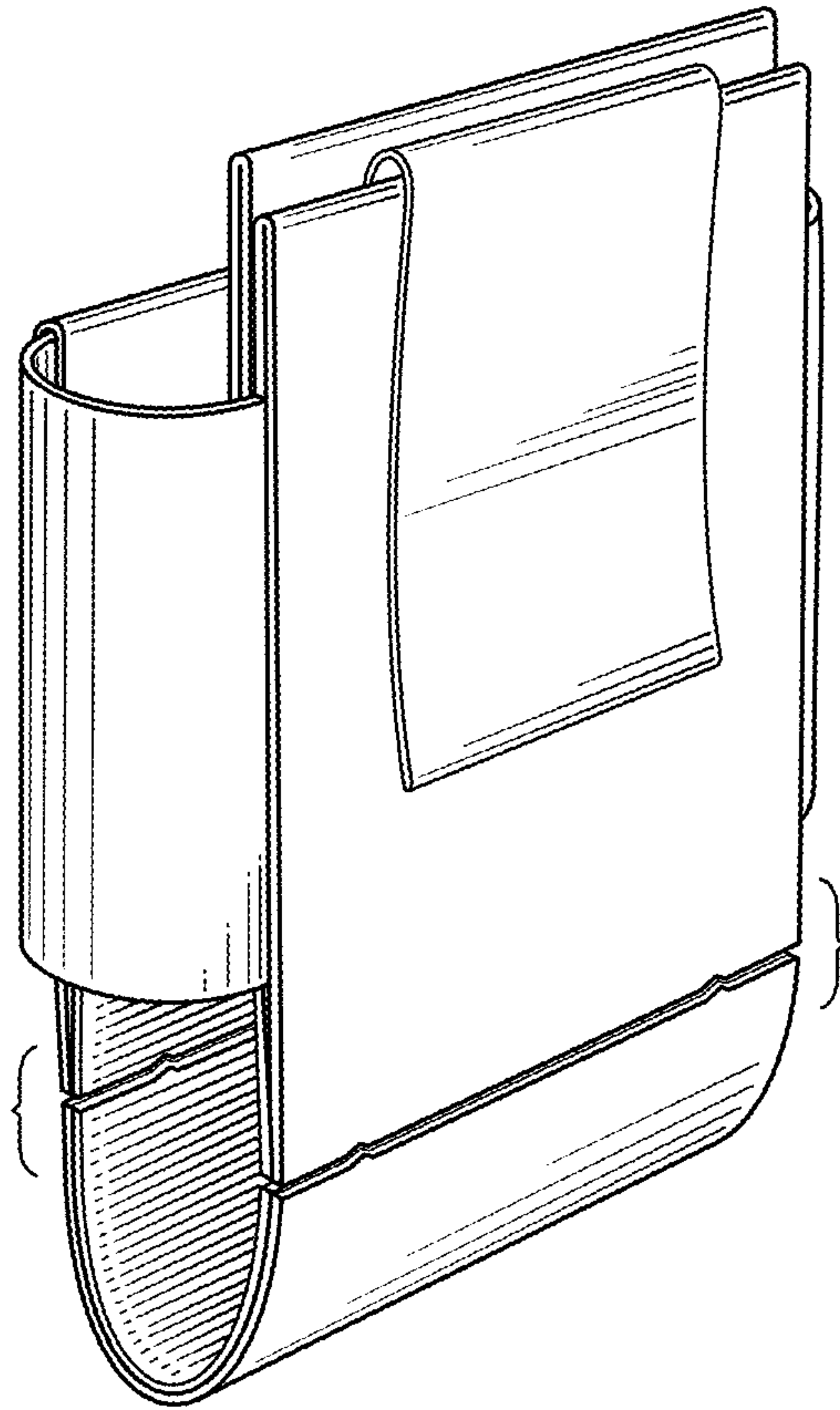


FIG. 8

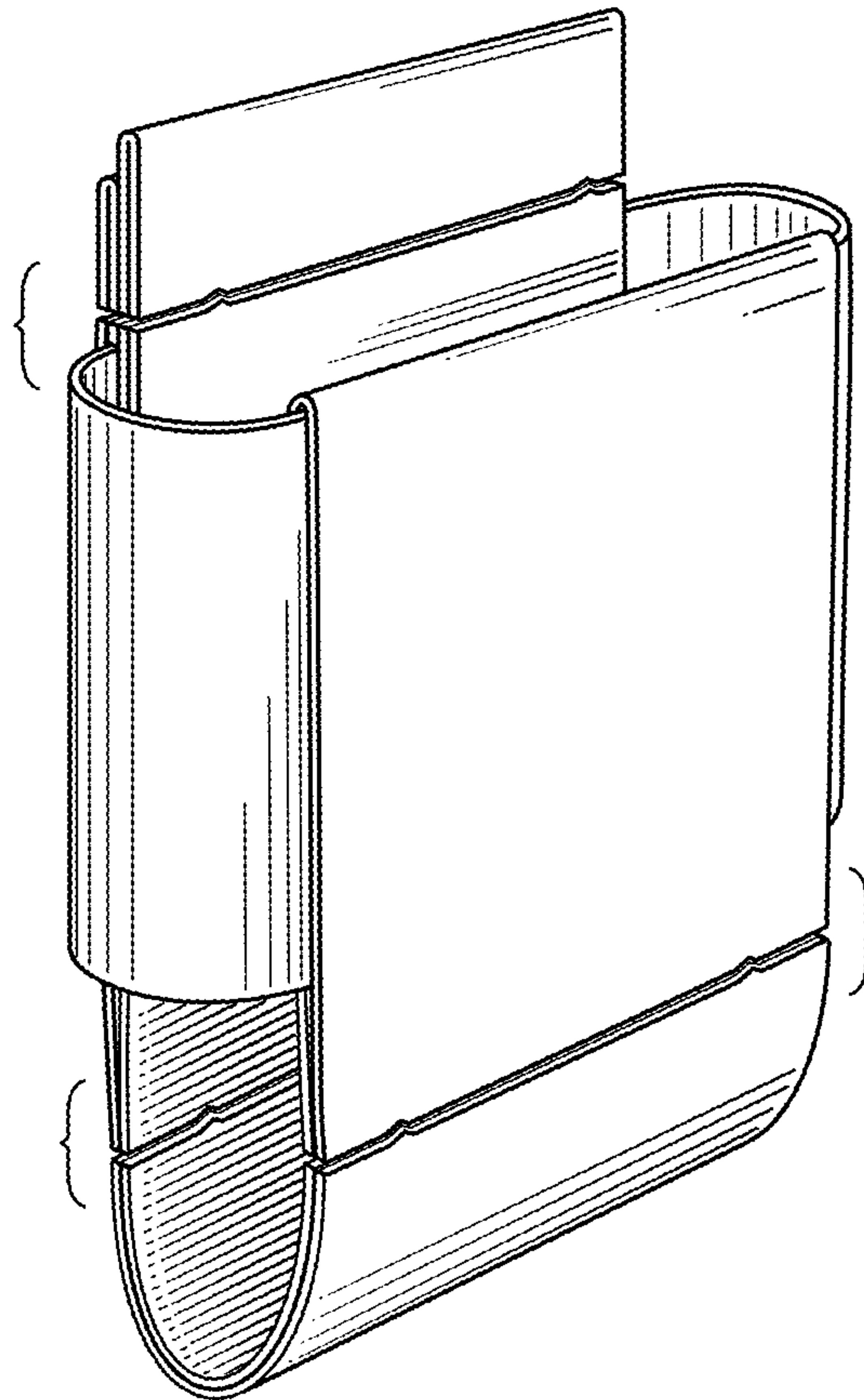


FIG. 9

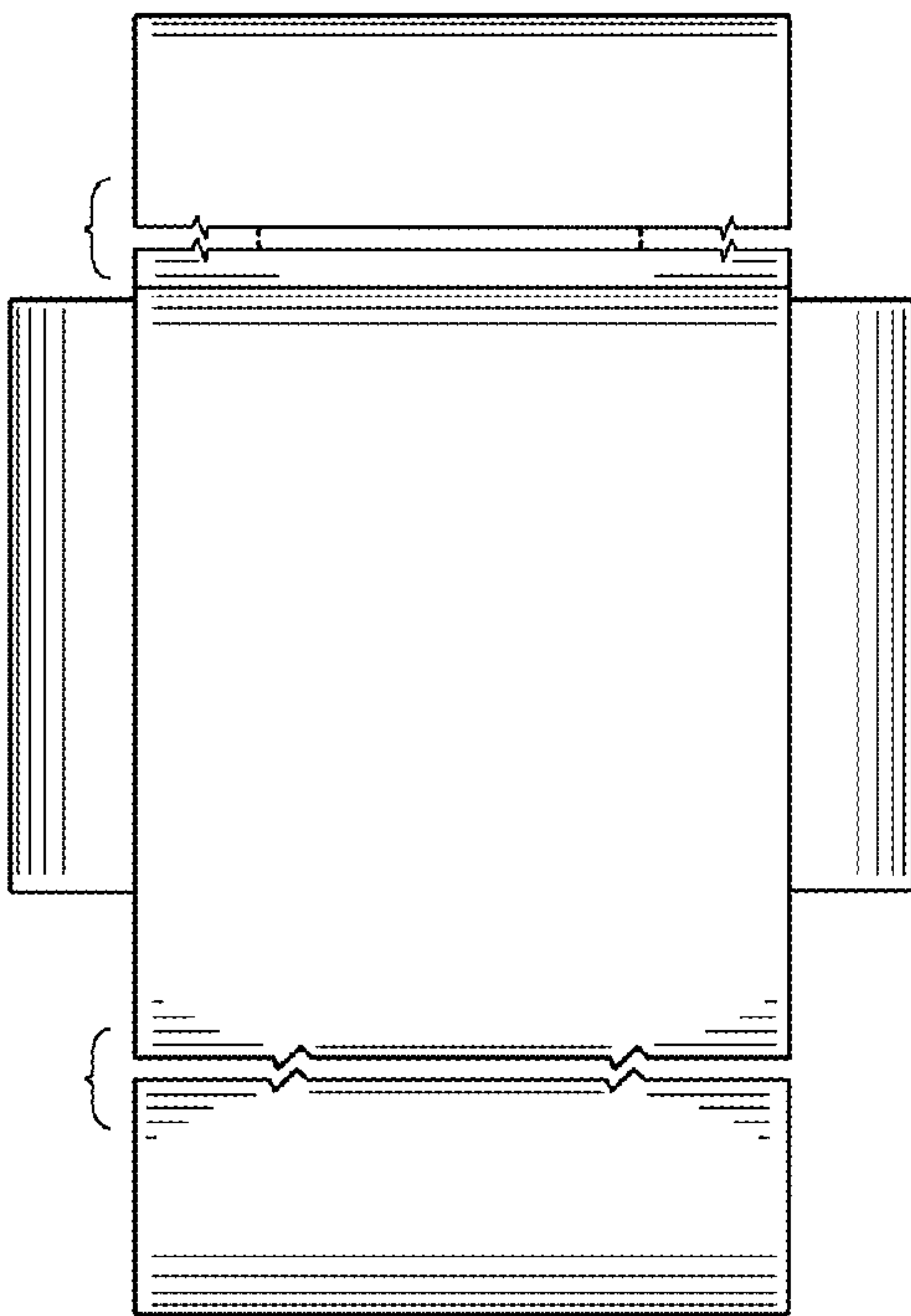


FIG. 10

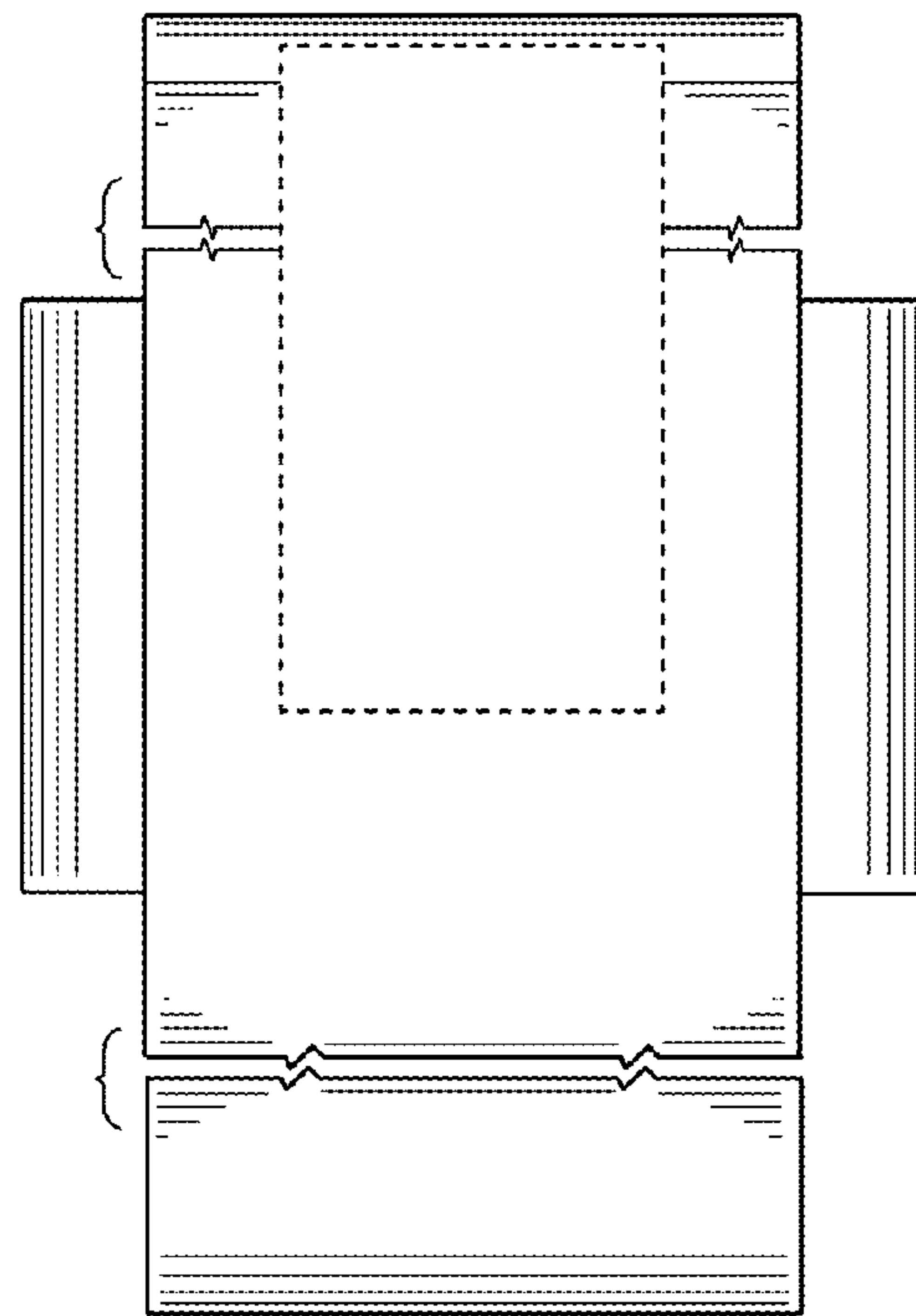


FIG. 11

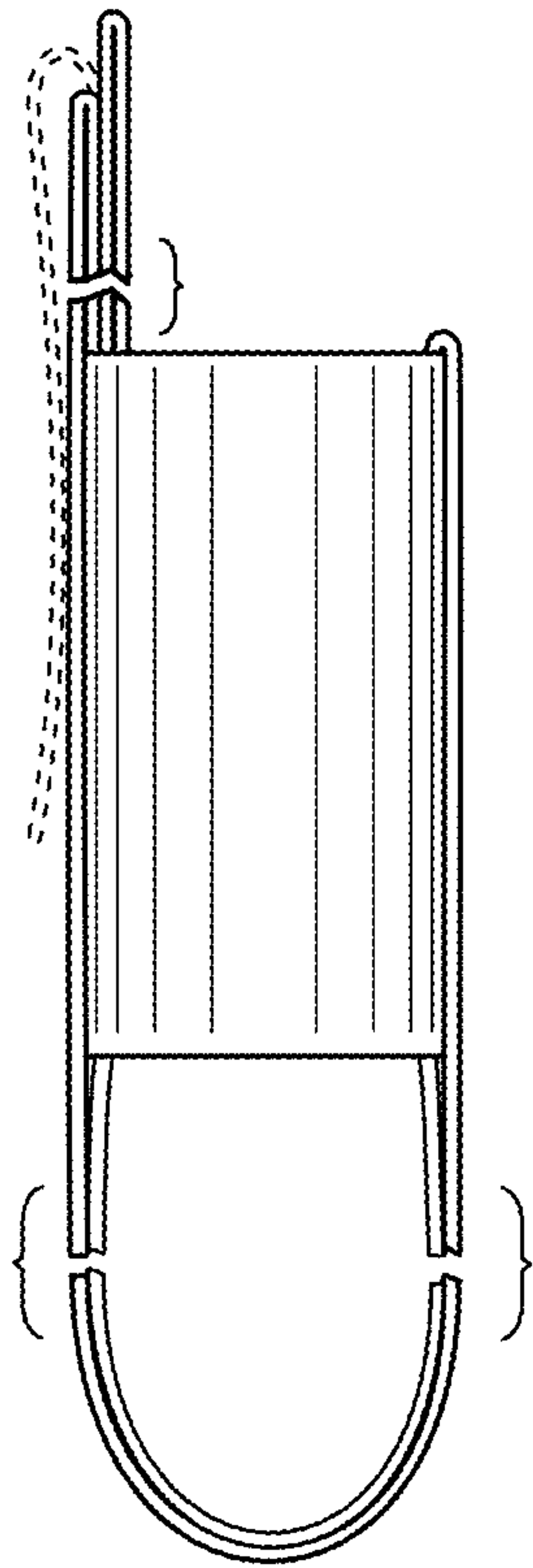


FIG. 12

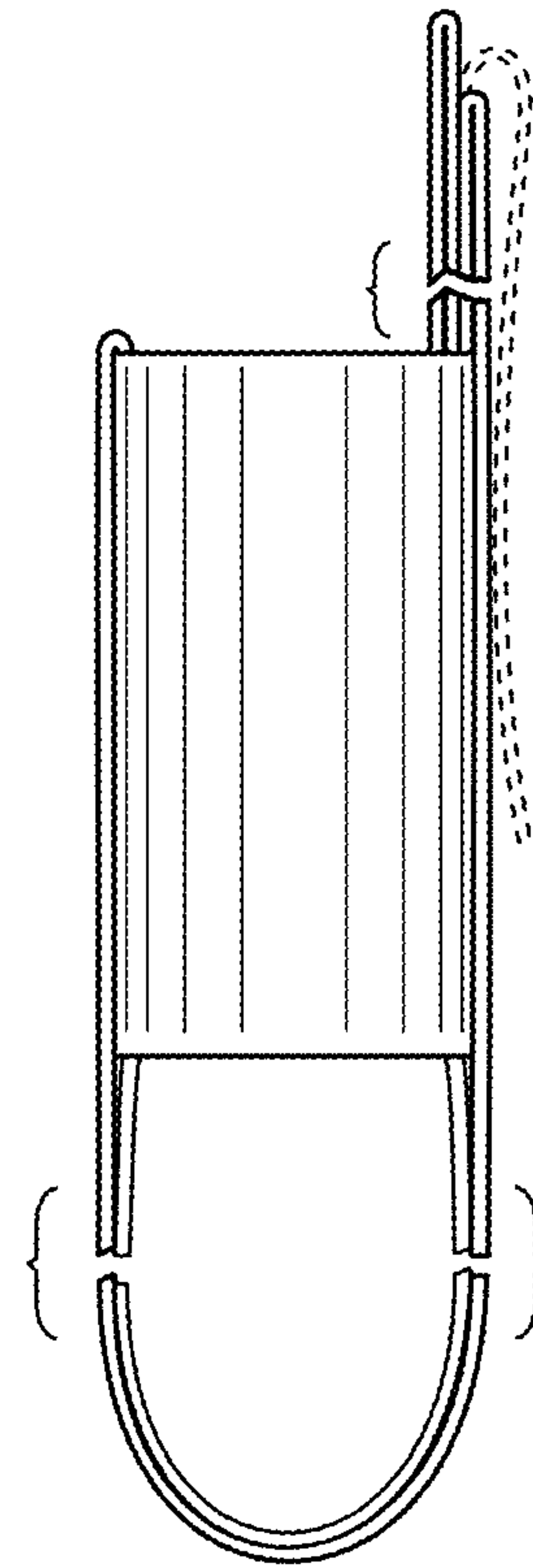


FIG. 13

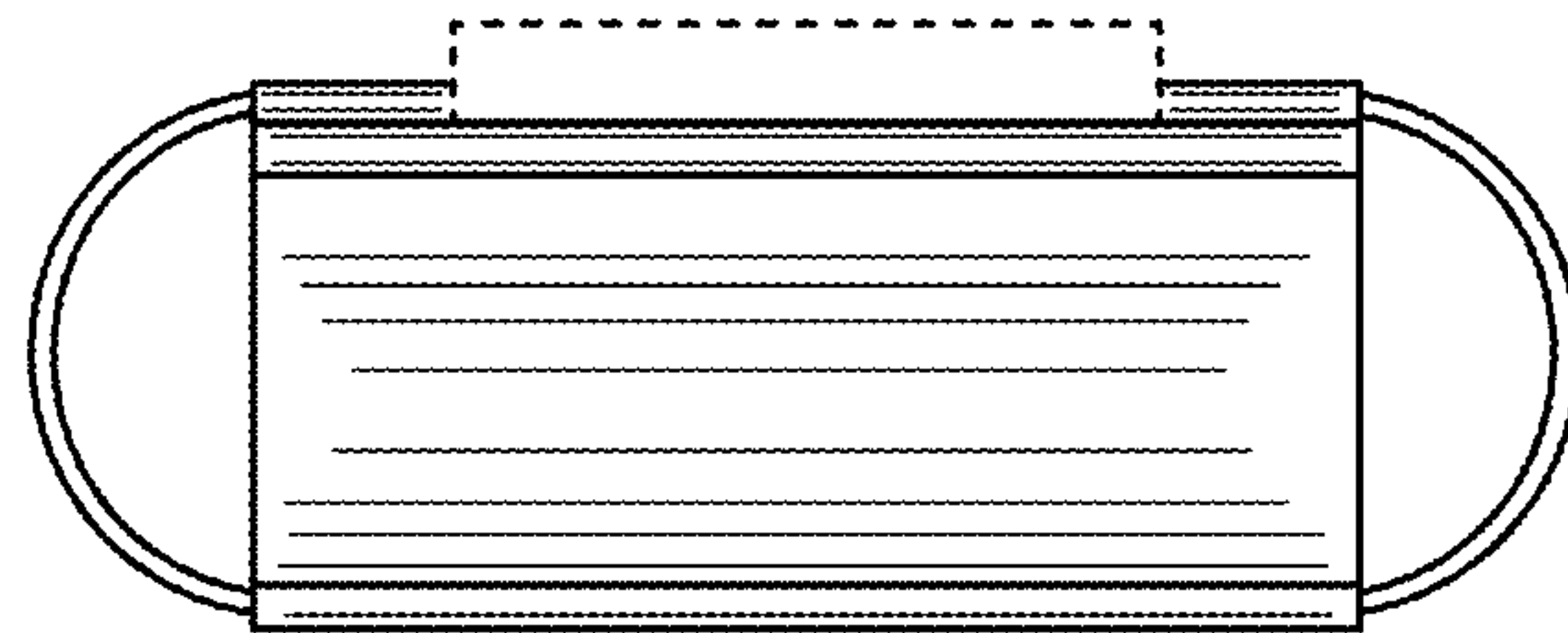


FIG. 14

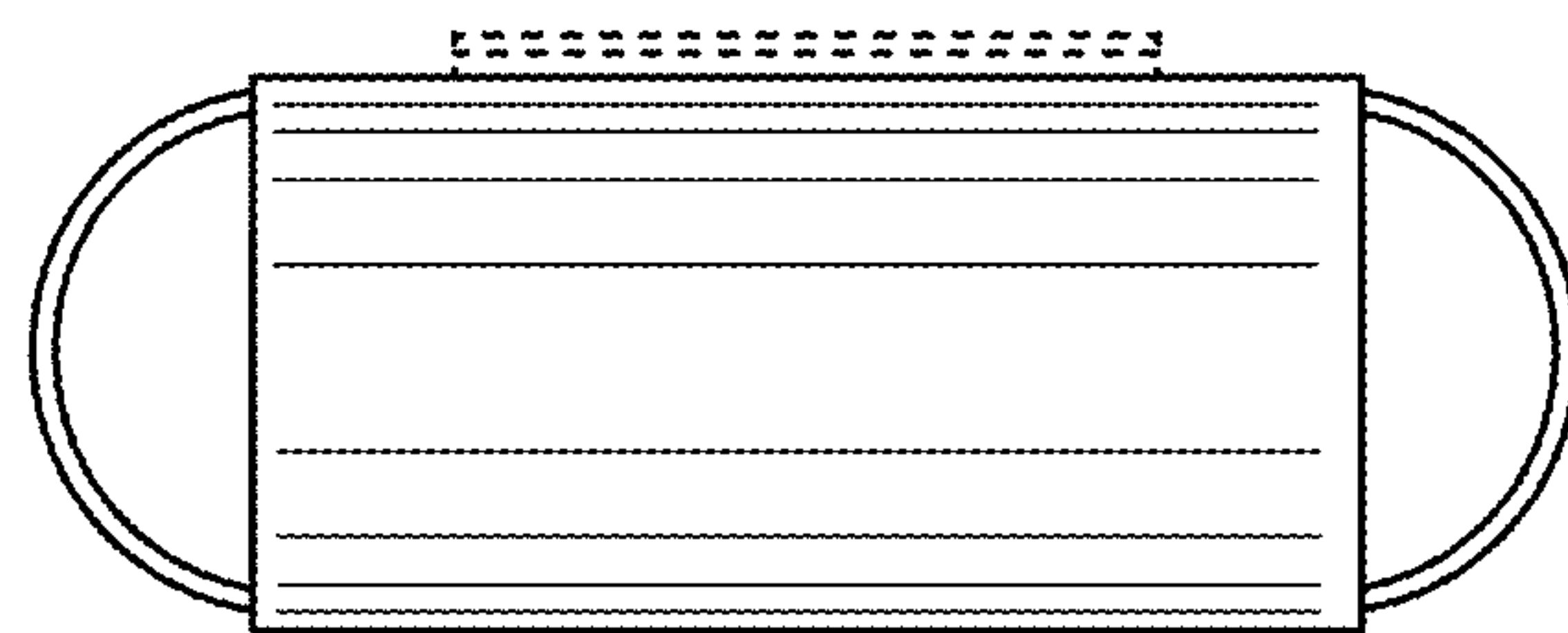


FIG. 15

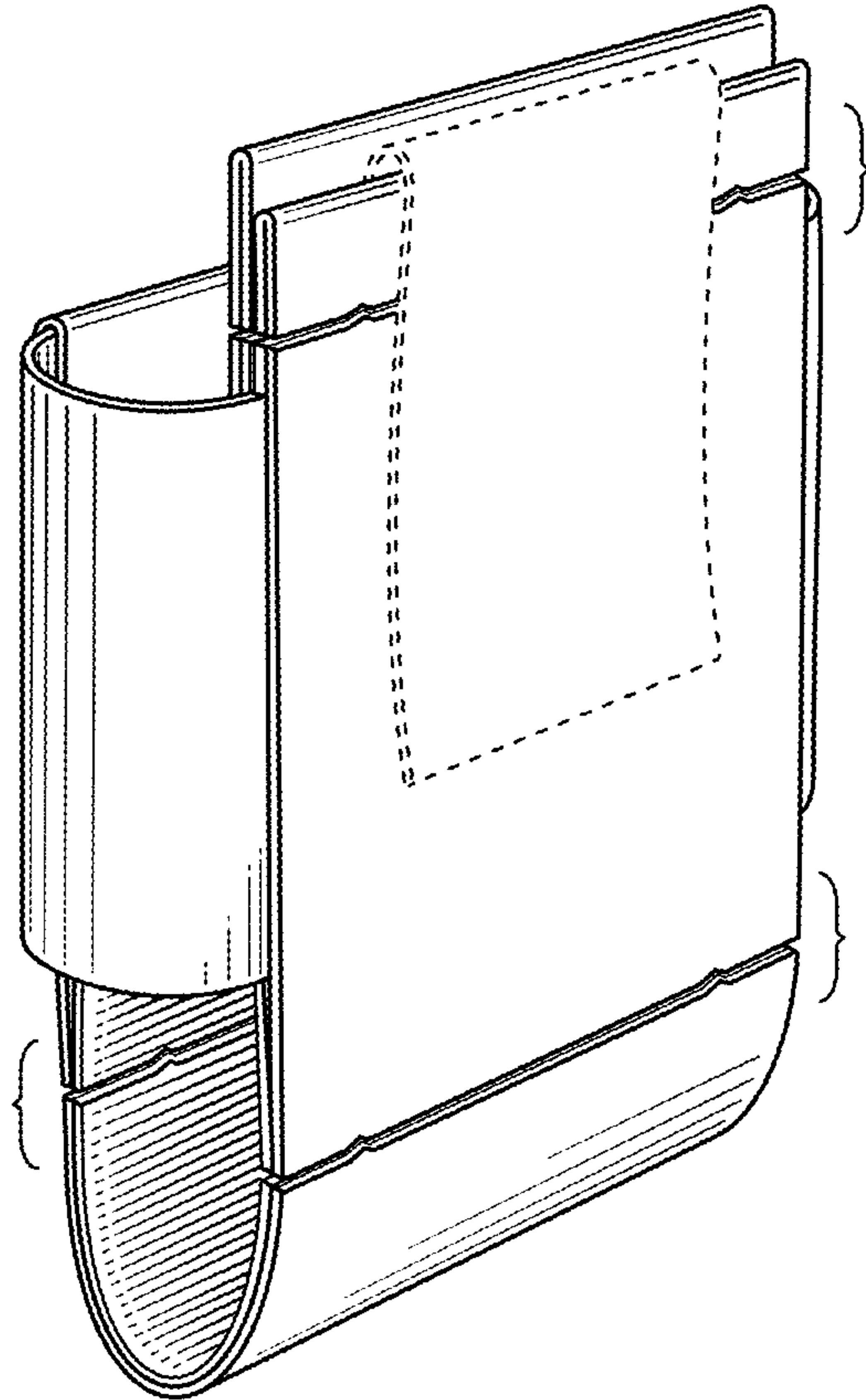


FIG. 16