



US00D752856S

(12) **United States Design Patent**  
**Marez**

(10) **Patent No.:** **US D752,856 S**  
(45) **Date of Patent:** **\*\* Apr. 5, 2016**

- (54) **BACKPACK**
- (71) Applicant: **Manuel Richard Marez**, Pueblo West, CO (US)
- (72) Inventor: **Manuel Richard Marez**, Pueblo West, CO (US)
- (\*\*) Term: **14 Years**
- (21) Appl. No.: **29/494,546**
- (22) Filed: **Jun. 20, 2014**
- (51) **LOC (10) Cl.** ..... **03-01**
- (52) **U.S. Cl.**  
USPC ..... **D3/217**
- (58) **Field of Classification Search**  
USPC ..... D3/201, 213-218, 231, 232, 233, 254, D3/267, 273, 274, 279, 283, 285, 286, 287, D3/289, 290, 301, 318, 321, 327, 221, 226, D3/230, 243; 224/153  
CPC ..... A45F 3/04; A45F 4/02; A45F 3/02; A45F 3/08; A45F 3/047; A45C 9/00; A45C 5/14; A45C 13/02; A45C 3/00; A45C 13/08; A41D 15/04  
See application file for complete search history.

*Primary Examiner* — George D Kirschbaum  
*Assistant Examiner* — Jennifer Watkins

(57) **CLAIM**

The ornamental design for a backpack, as shown and described.

**DESCRIPTION**

FIG. 1 is a perspective front view of a backpack with the pocket in the closed position;  
 FIG. 2 is a front elevation view of the backpack with the pocket in the closed position;  
 FIG. 3 is a rear elevation view of the backpack with the pocket in the closed position;  
 FIG. 4 is a left side elevation view of the backpack with the pocket in the closed position; the right side view being a mirror image thereof;  
 FIG. 5 is a top elevation view of the backpack with the pocket in the closed position;  
 FIG. 6 is a bottom elevation view of the backpack with the pocket in the closed position;  
 FIG. 7 is a perspective front view of a backpack with the pocket in the open position;  
 FIG. 8 is a front elevation view of the backpack with the pocket in the open position;  
 FIG. 9 is a rear elevation view of the backpack with the pocket in the open position;  
 FIG. 10 is a left side elevation view of the backpack with the pocket in the open position; the right side view being a mirror image thereof;  
 FIG. 11 is a top elevation view of the backpack with the pocket in the open position; and,  
 FIG. 12 is a bottom elevation view of the backpack with the pocket in the open position.  
 The evenly dashed broken lines shown in the drawings are for the purpose of illustrating portions of the backpack that form no part of the claim. The unevenly dashed lines in FIGS. 7 and 8 are for the purpose of illustrating a boundary that forms no part of the claim.

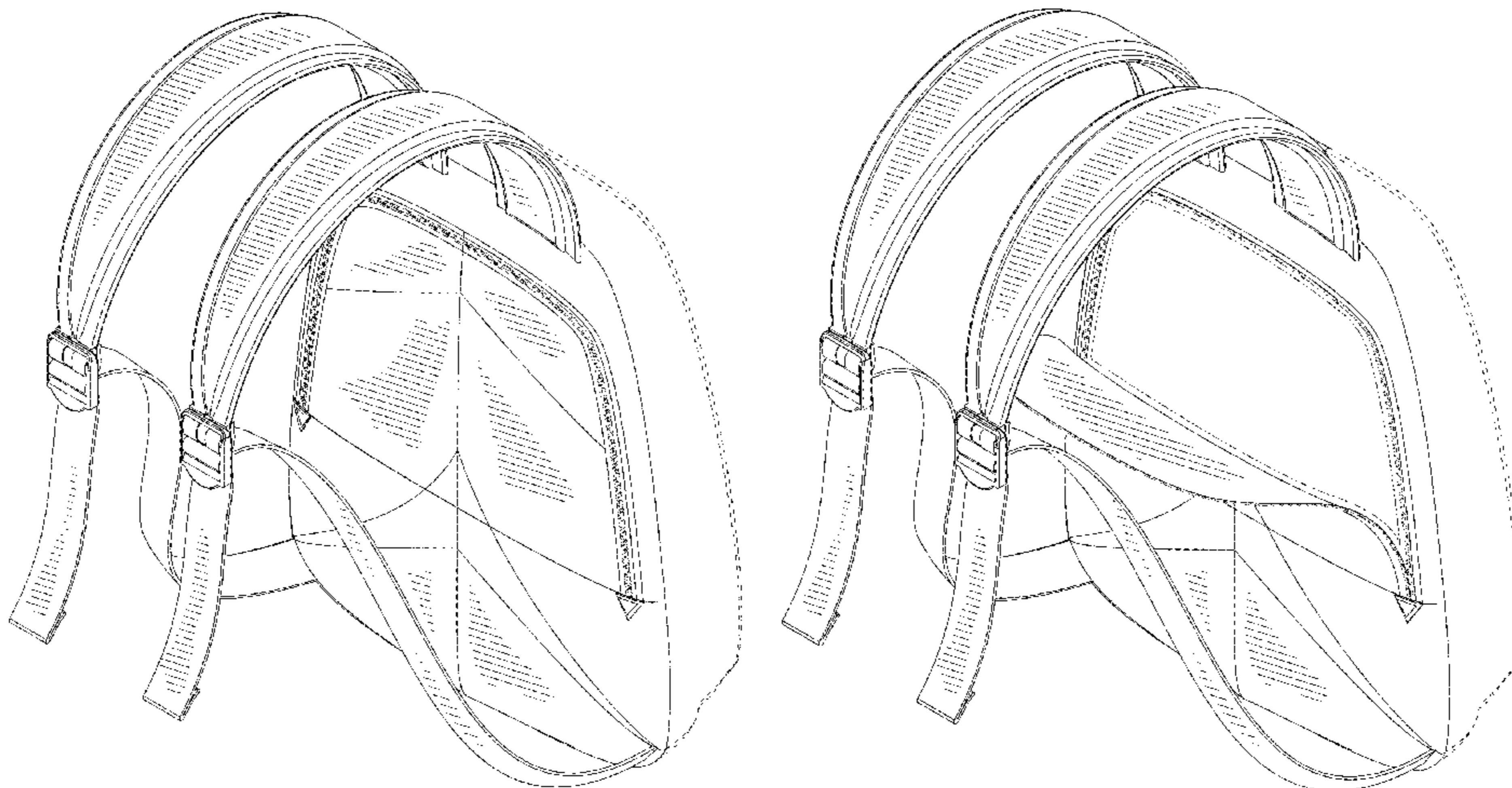
(56) **References Cited**

**U.S. PATENT DOCUMENTS**

4,397,378	A	8/1983	Lee	
5,819,999	A *	10/1998	Tennant	224/155
D446,008	S *	8/2001	Schulze	D3/216
D481,865	S *	11/2003	Hassett	D3/218
D482,522	S *	11/2003	Hassett	D3/218
6,655,565	B2 *	12/2003	Godshaw et al.	224/653
D485,432	S *	1/2004	Desrochers	D3/216
7,200,901	B2	4/2007	Pitts et al.	
7,886,786	B1 *	2/2011	Christie	150/108
D635,762	S *	4/2011	Fahim	D3/217
8,453,896	B1 *	6/2013	Mansell	224/576
2005/0194413	A1 *	9/2005	Baker	224/153
2005/0199658	A1	9/2005	Brown et al.	
2006/0032883	A1	2/2006	Moreno et al.	
2006/0289590	A1	12/2006	Held	
2007/0062996	A1	3/2007	Miles et al.	
2013/0233661	A1	9/2013	Scott	
2014/0061273	A1	3/2014	Bulivant et al.	

\* cited by examiner

**1 Claim, 12 Drawing Sheets**



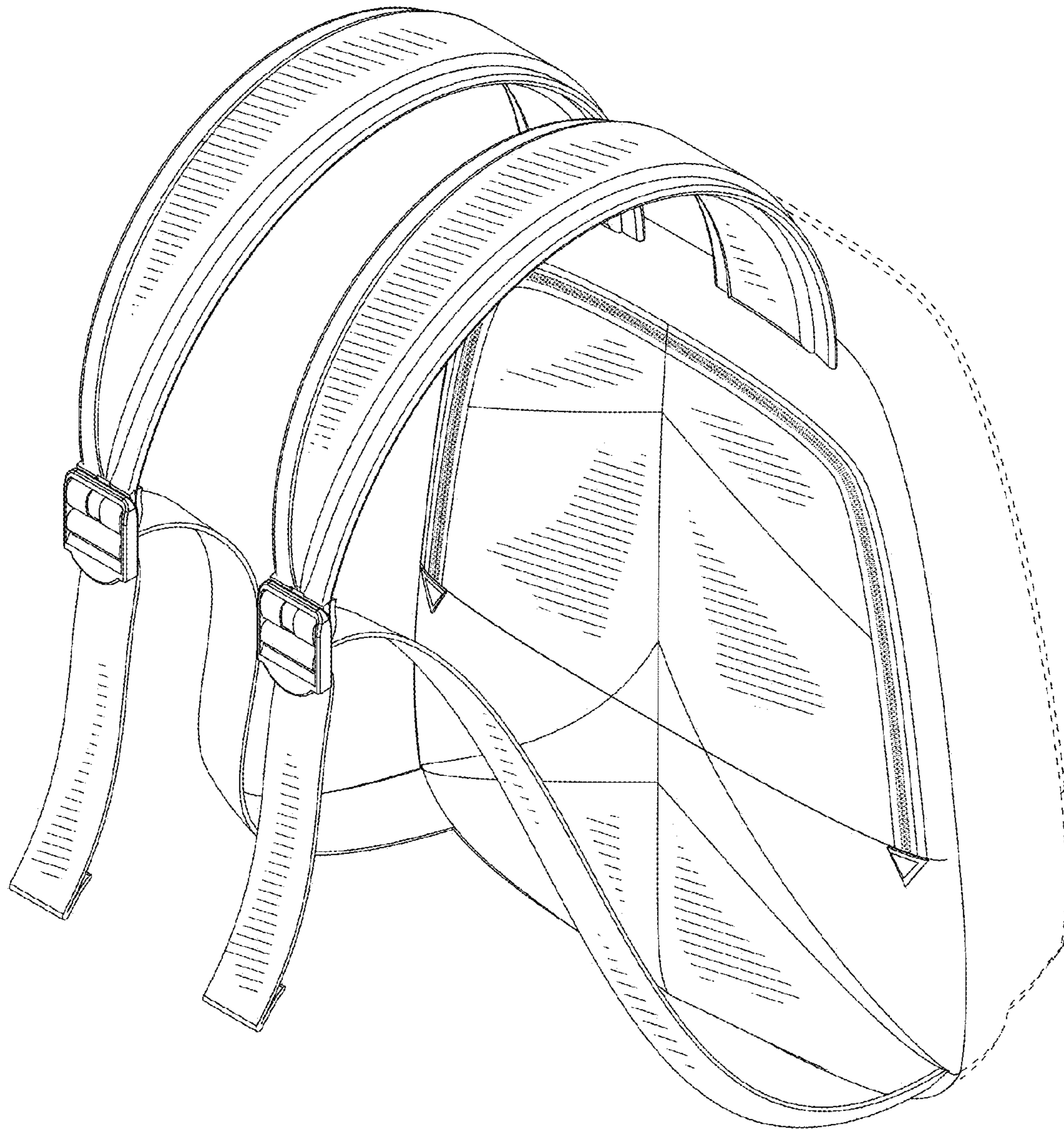


FIG. 1



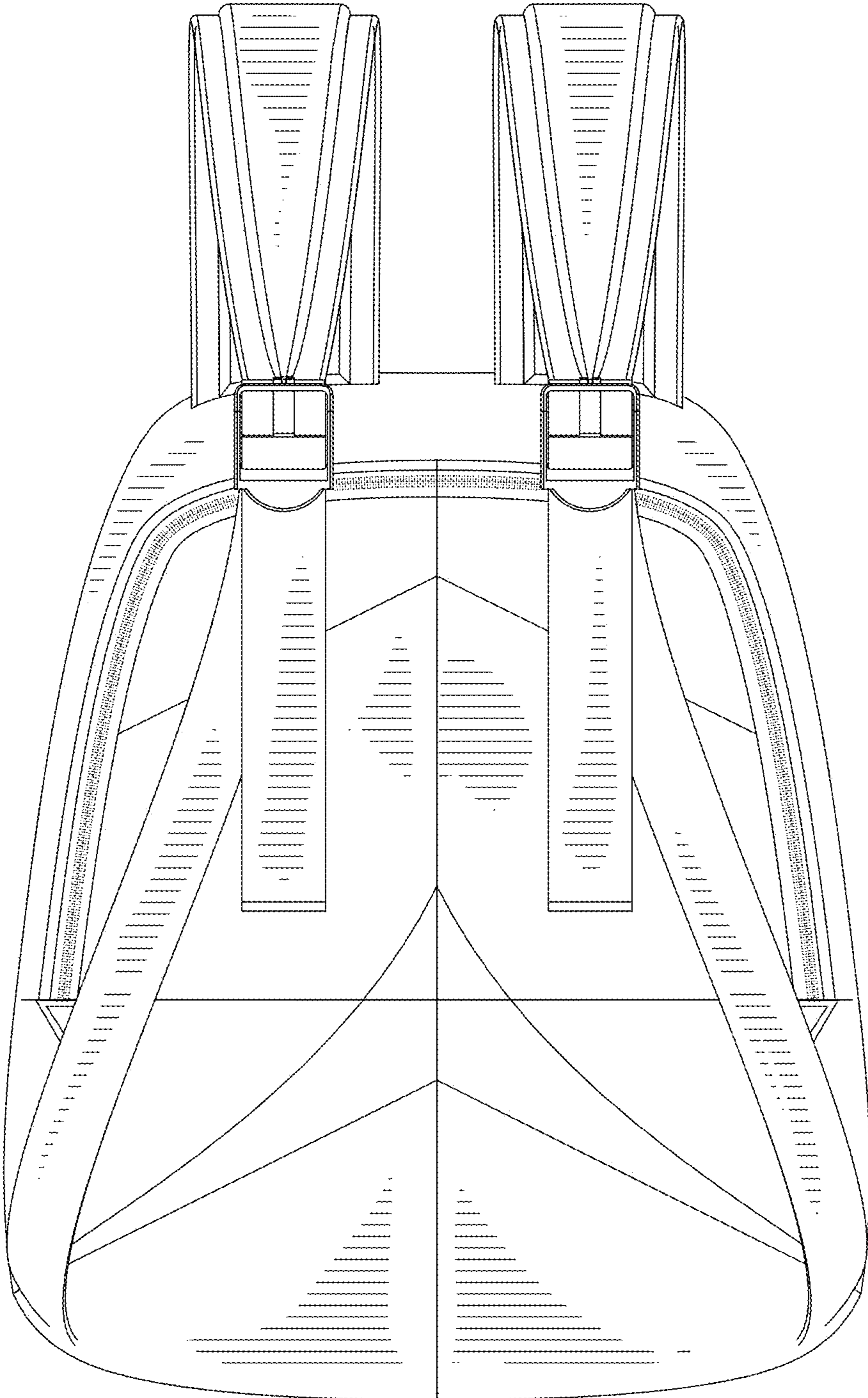


FIG. 2

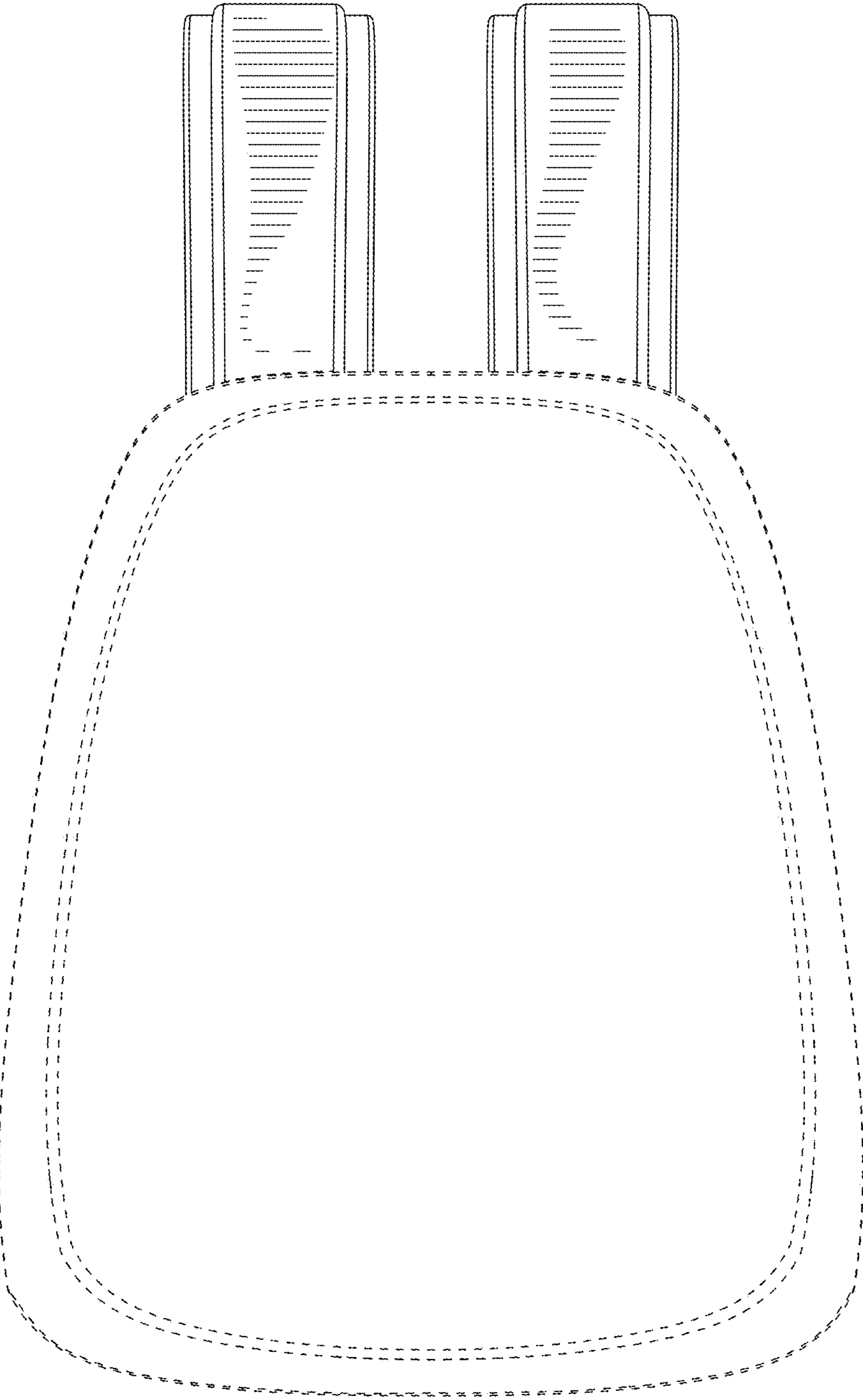


FIG. 3

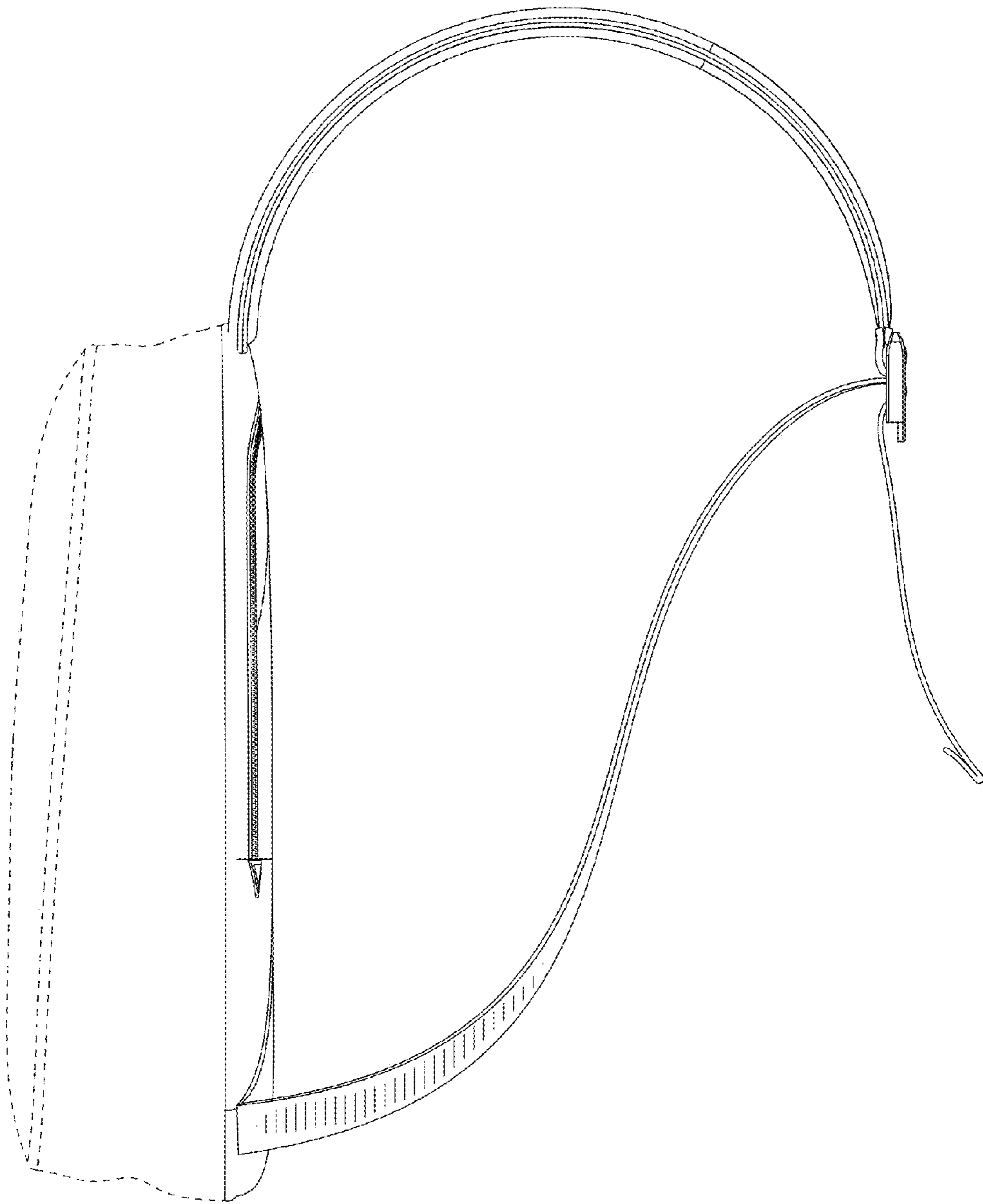


FIG. 4

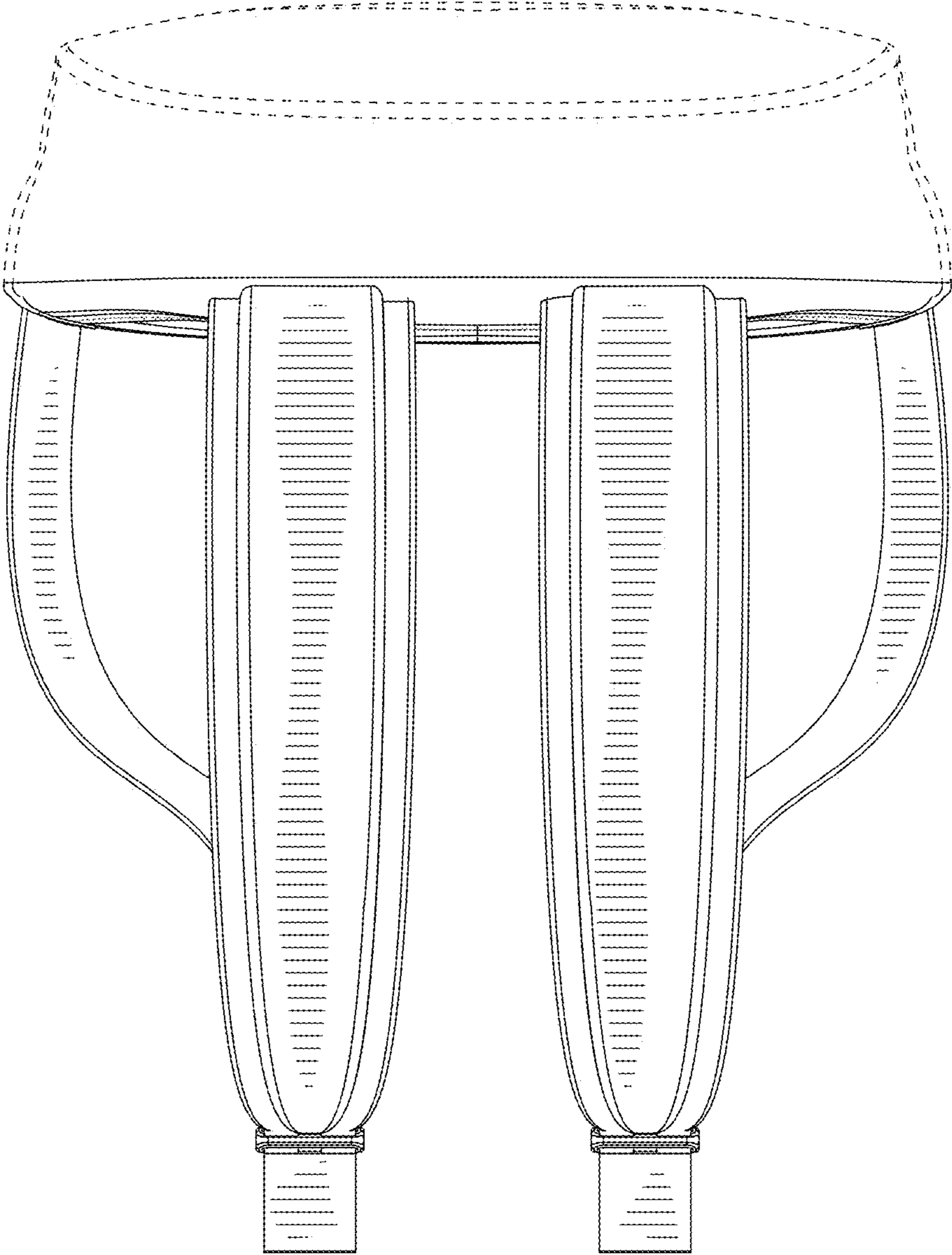


FIG. 5

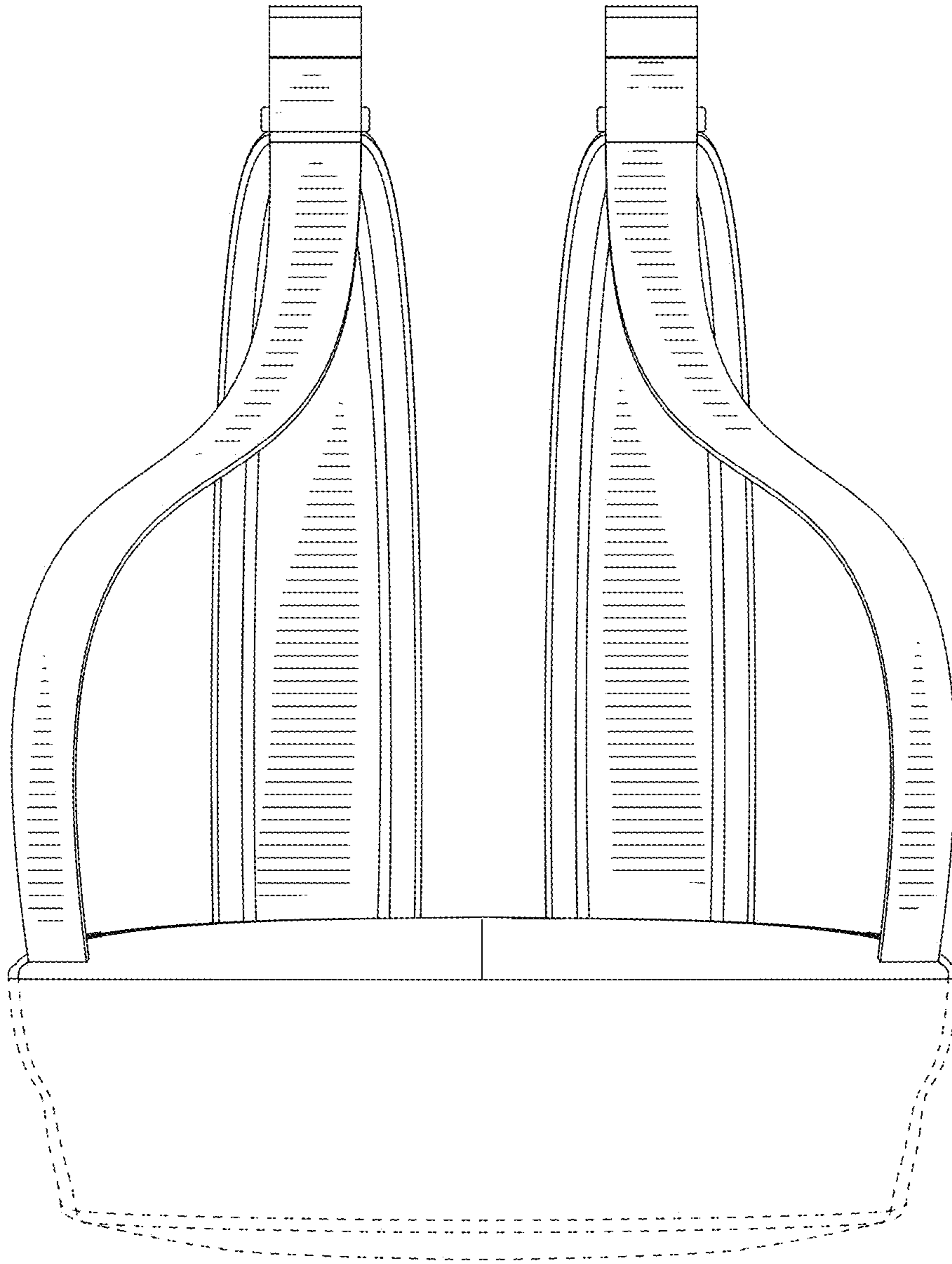


FIG. 6



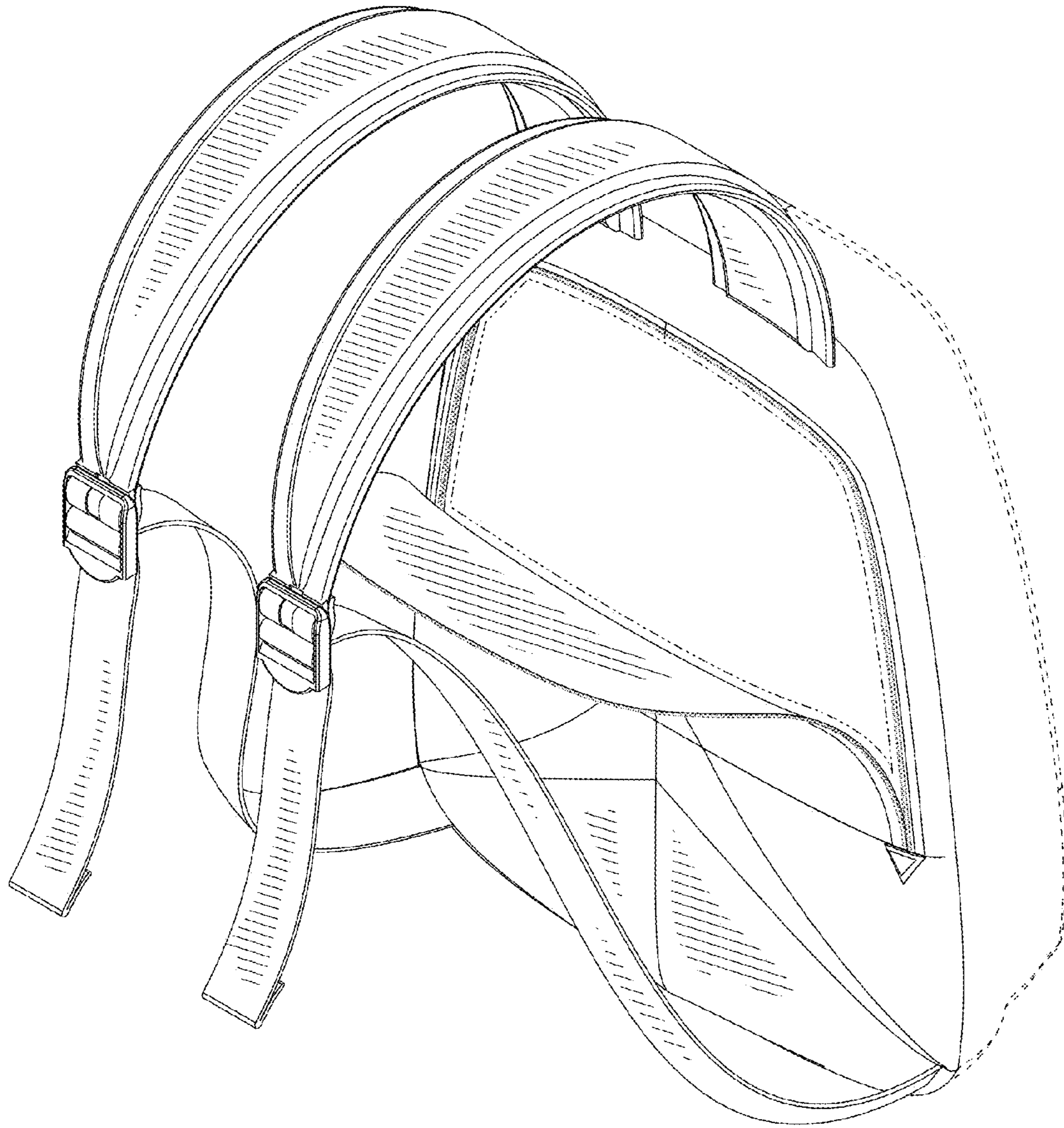


FIG. 7



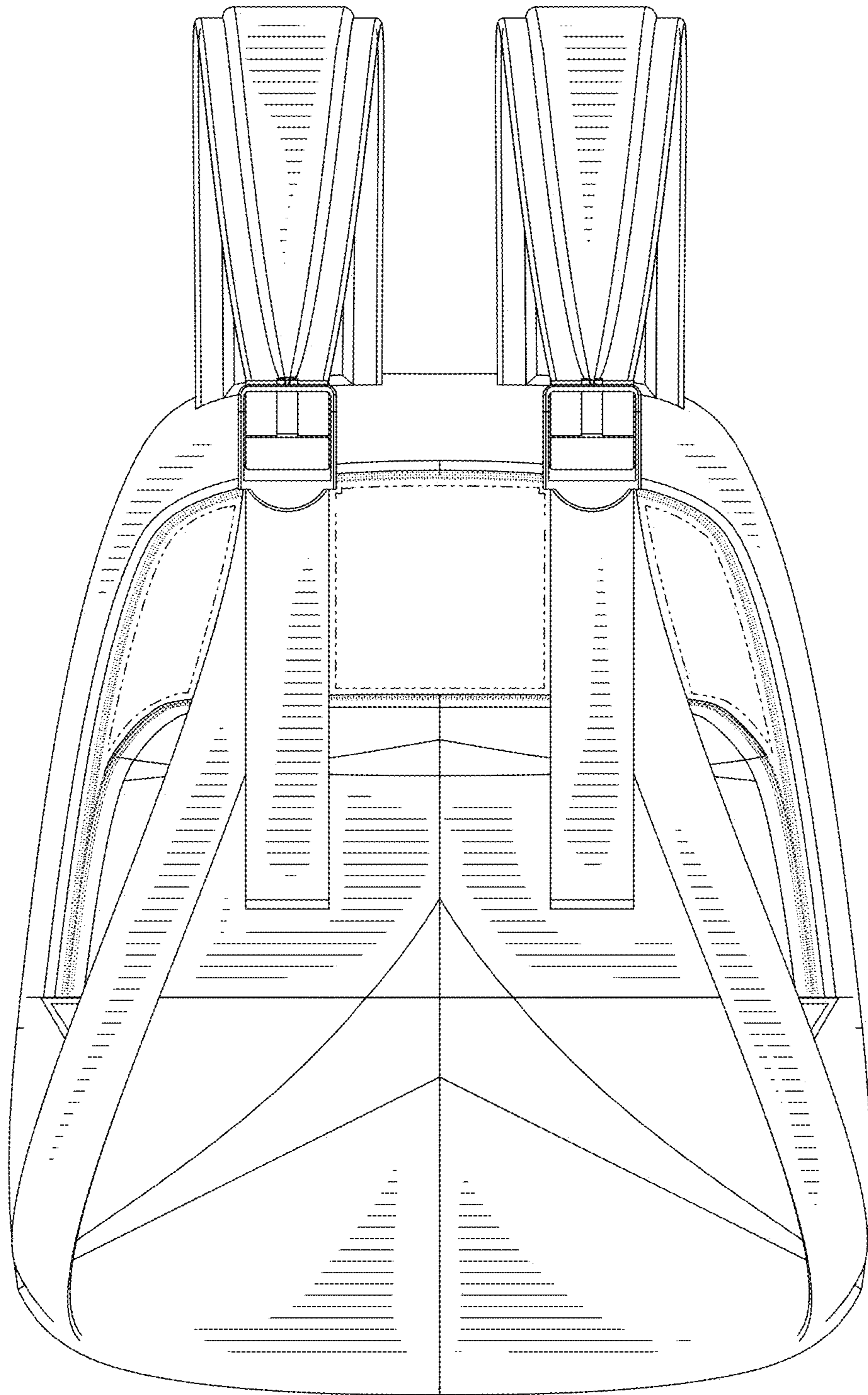


FIG. 8

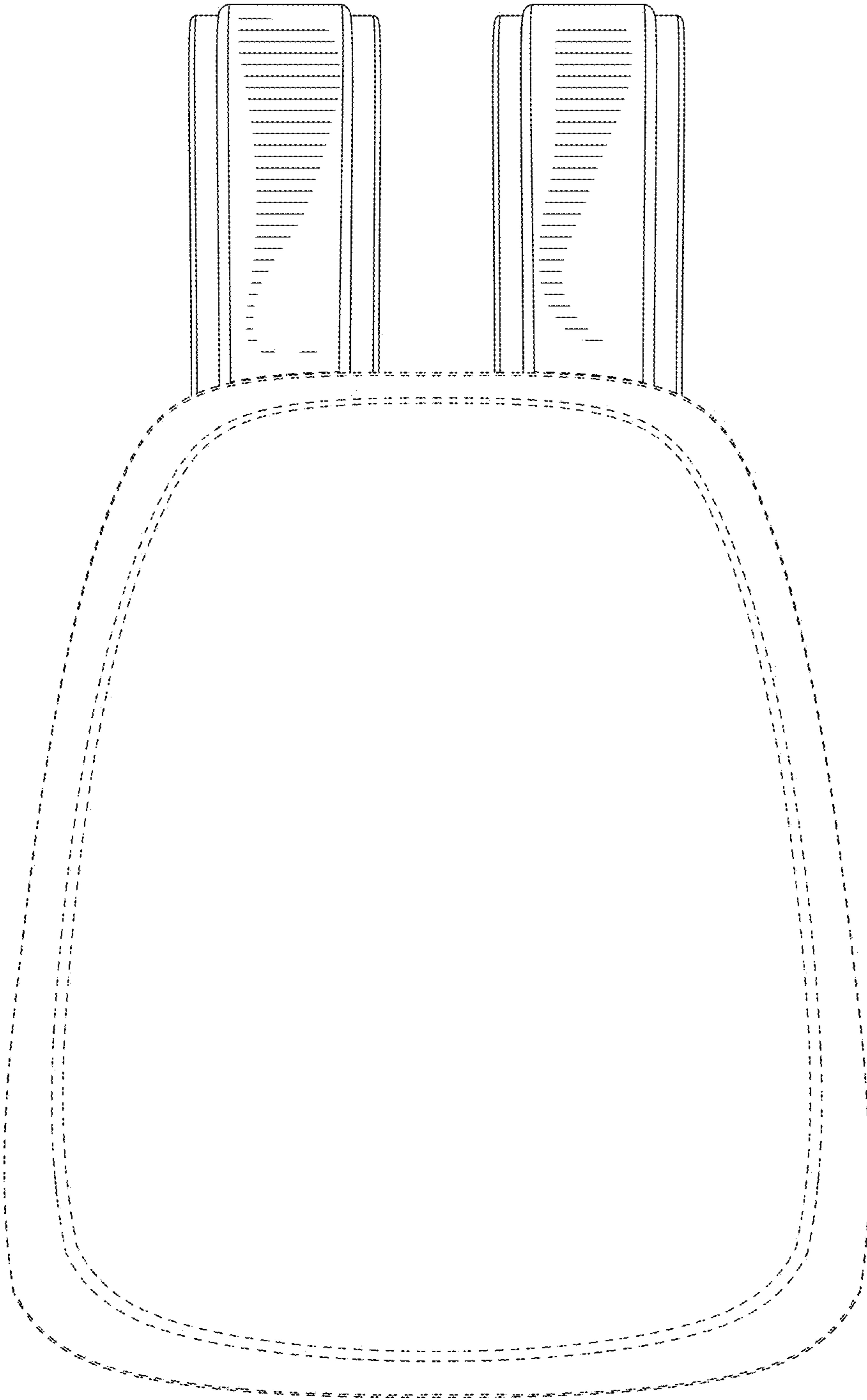


FIG. 9

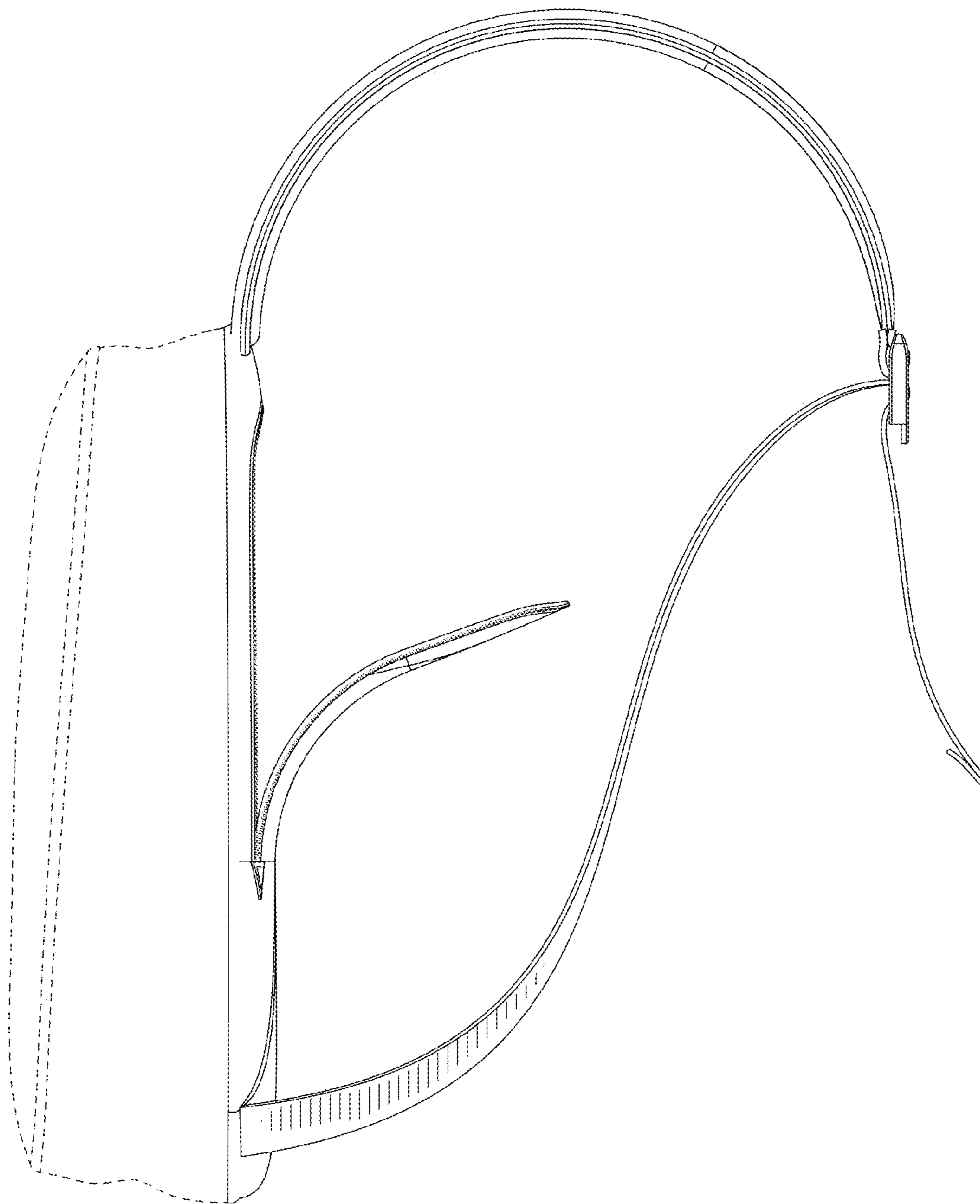


FIG. 10



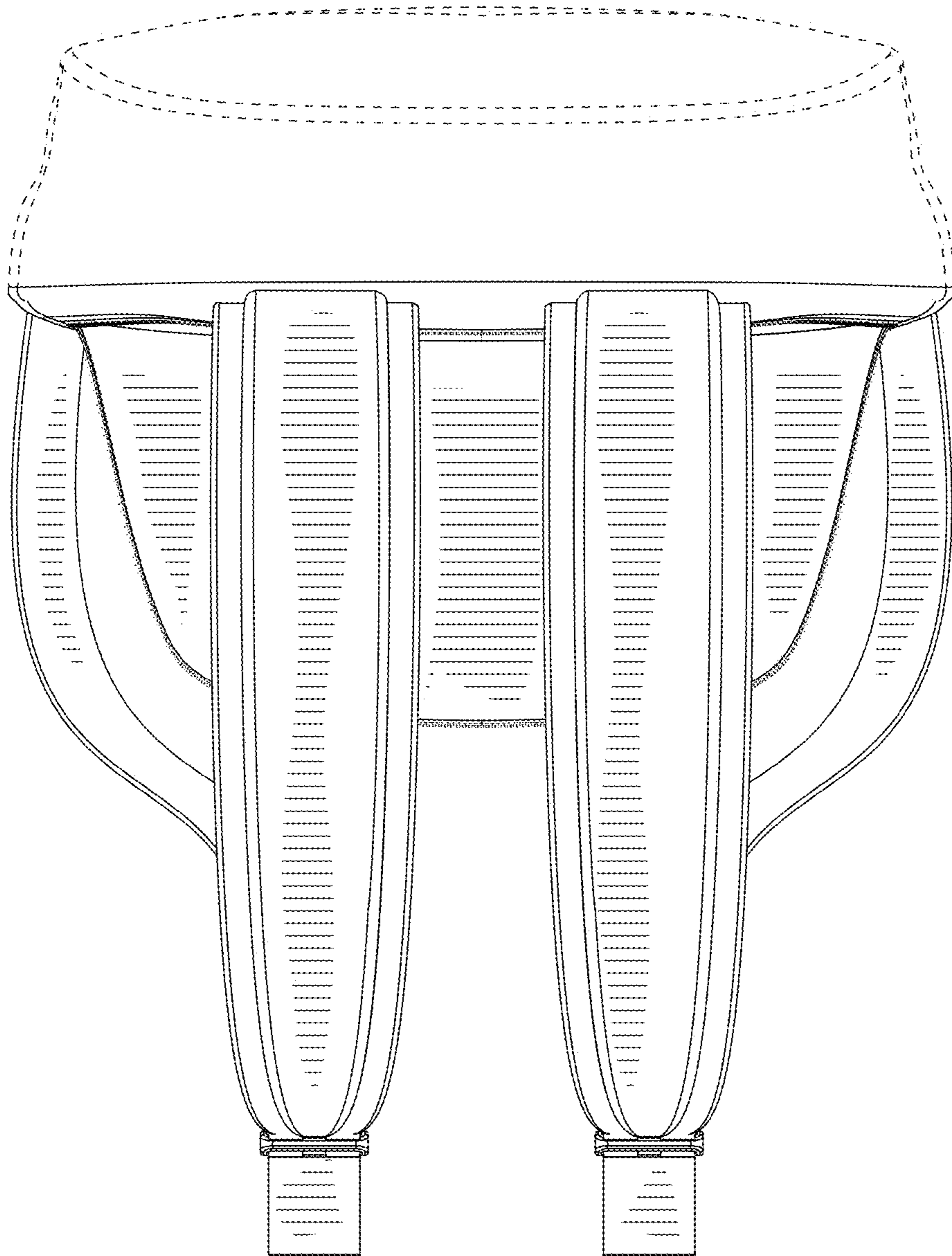


FIG. 11

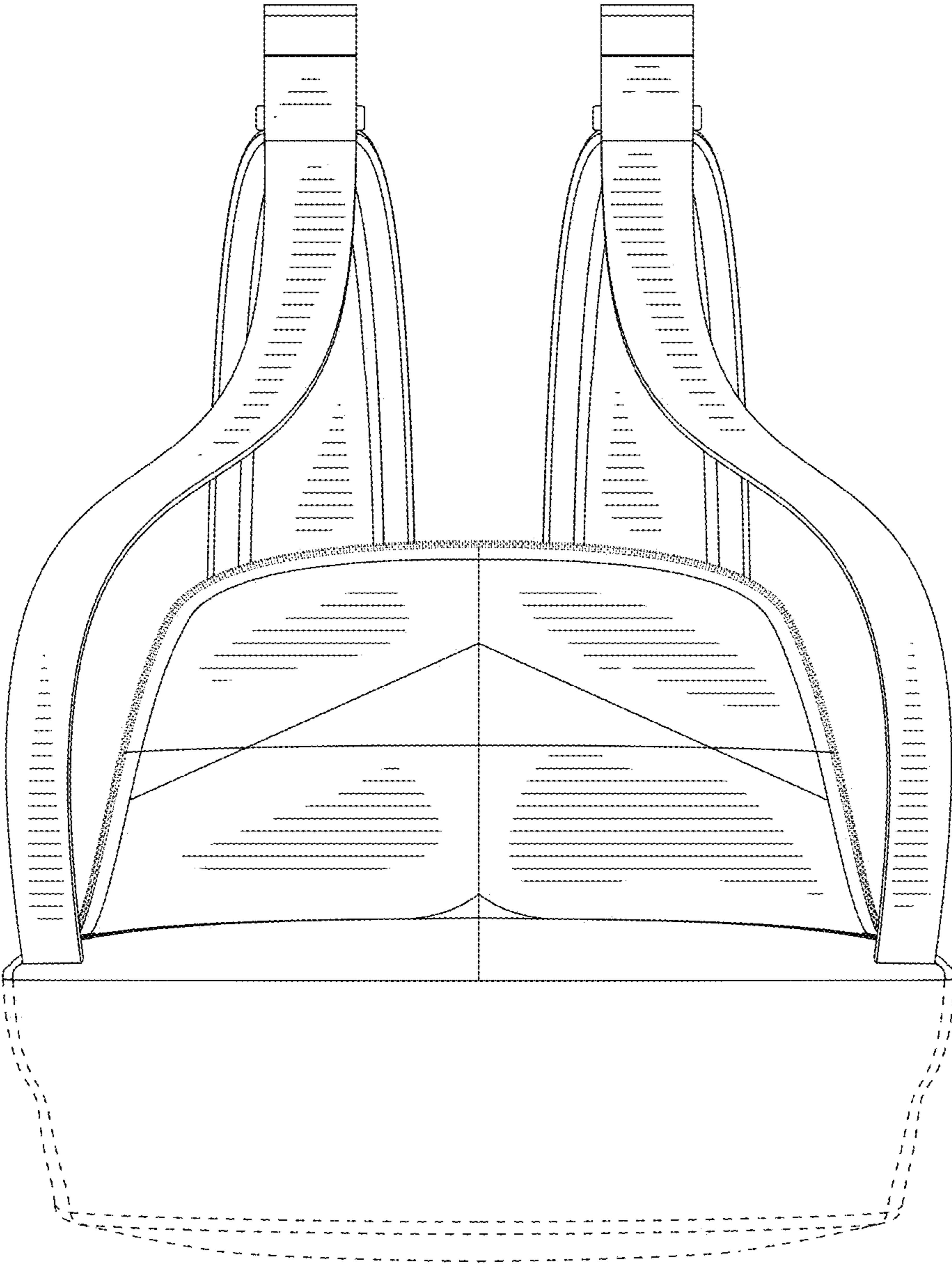


FIG. 12