



US00D752854S

(12) **United States Design Patent**
Owens

(10) **Patent No.:** **US D752,854 S**
(45) **Date of Patent:** **** Apr. 5, 2016**

(54) **STANDING CANE TIP ELEMENTS**

- (71) Applicant: **Juvo Products LLC**, Barrington, IL (US)
- (72) Inventor: **G. Parkinson Owens**, North Barrington, IL (US)
- (73) Assignee: **Juvo Products LLC**, Barrington, IL (US)
- (**) Term: **14 Years**
- (21) Appl. No.: **29/479,442**
- (22) Filed: **Jan. 16, 2014**
- (51) **LOC (10) Cl.** **03-03**
- (52) **U.S. Cl.**
USPC **D3/17**
- (58) **Field of Classification Search**
USPC D3/17, 10, 302, 13; D6/708; D10/66; D26/38; D7/651; D21/385; D8/402; D9/424; 135/86, 77, 16, 84; 446/246; 211/78; 248/519; 206/545; 482/77; 102/358
CPC A61H 3/04; A45B 9/04; A45B 3/00; A63H 13/20; A47F 5/02; A47G 33/12; A45C 11/20; A63B 25/08; F42B 4/20
See application file for complete search history.

(56) **References Cited**

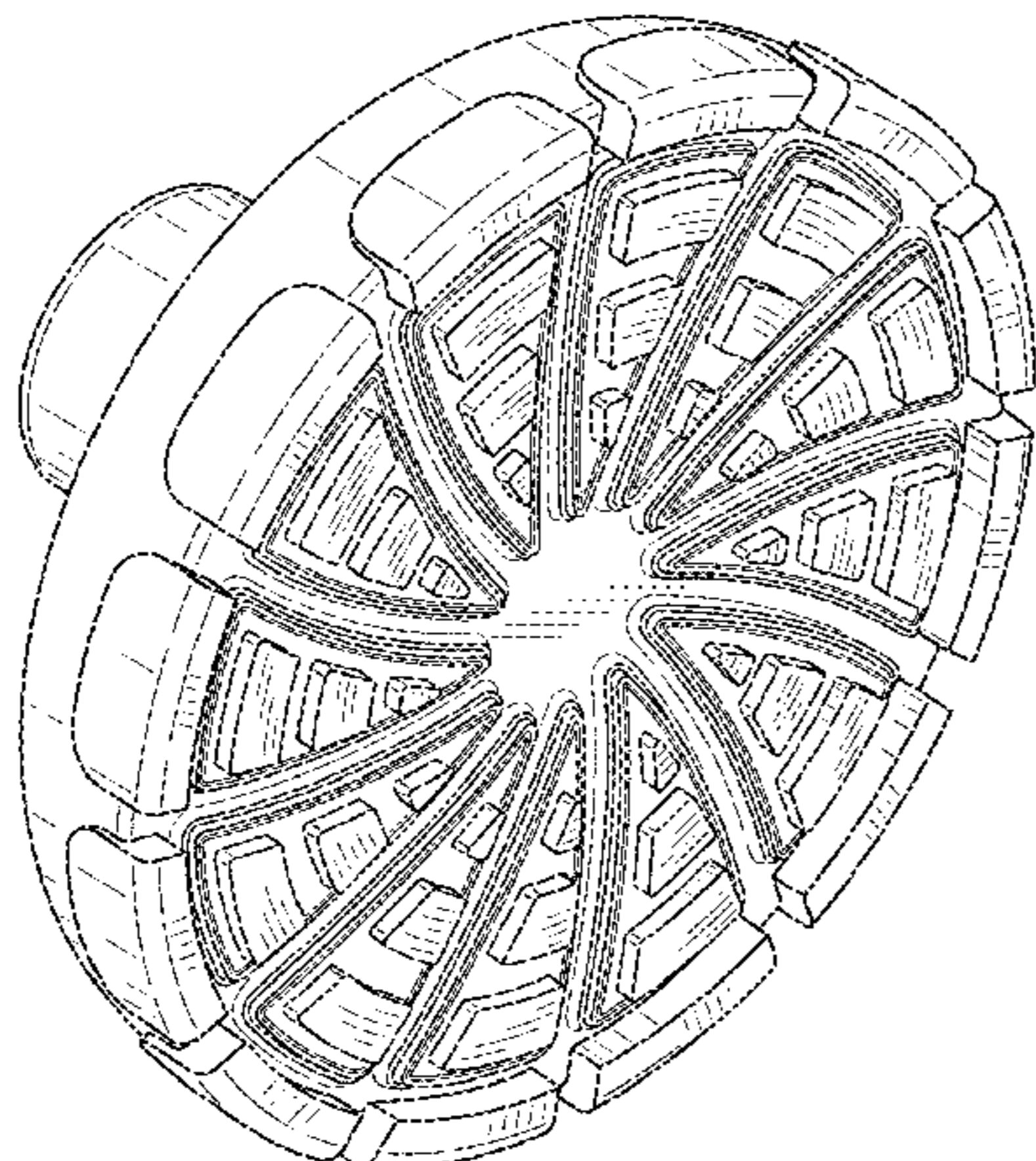
U.S. PATENT DOCUMENTS

- 1,313,422 A * 8/1919 Snyder 135/86
 - 1,429,428 A * 9/1922 Hipwood 135/86
- (Continued)

FOREIGN PATENT DOCUMENTS

- JP D1351176 * 2/2009
- JP D1372594 * 11/2009

(Continued)



OTHER PUBLICATIONS

Crutch Tips—Award Prosthetics, Announced Jan. 30, 2011, [Site Visited Jun. 24, 2015] <http://www.awardprosthetics.com/c-tips.html>.*

(Continued)

Primary Examiner — John Windmuller

Assistant Examiner — Luqman McNeil

(74) *Attorney, Agent, or Firm* — Fitch, Even, Tabin & Flannery LLP

(57) **CLAIM**

I claim the ornamental design for standing cane tip elements, as shown and described.

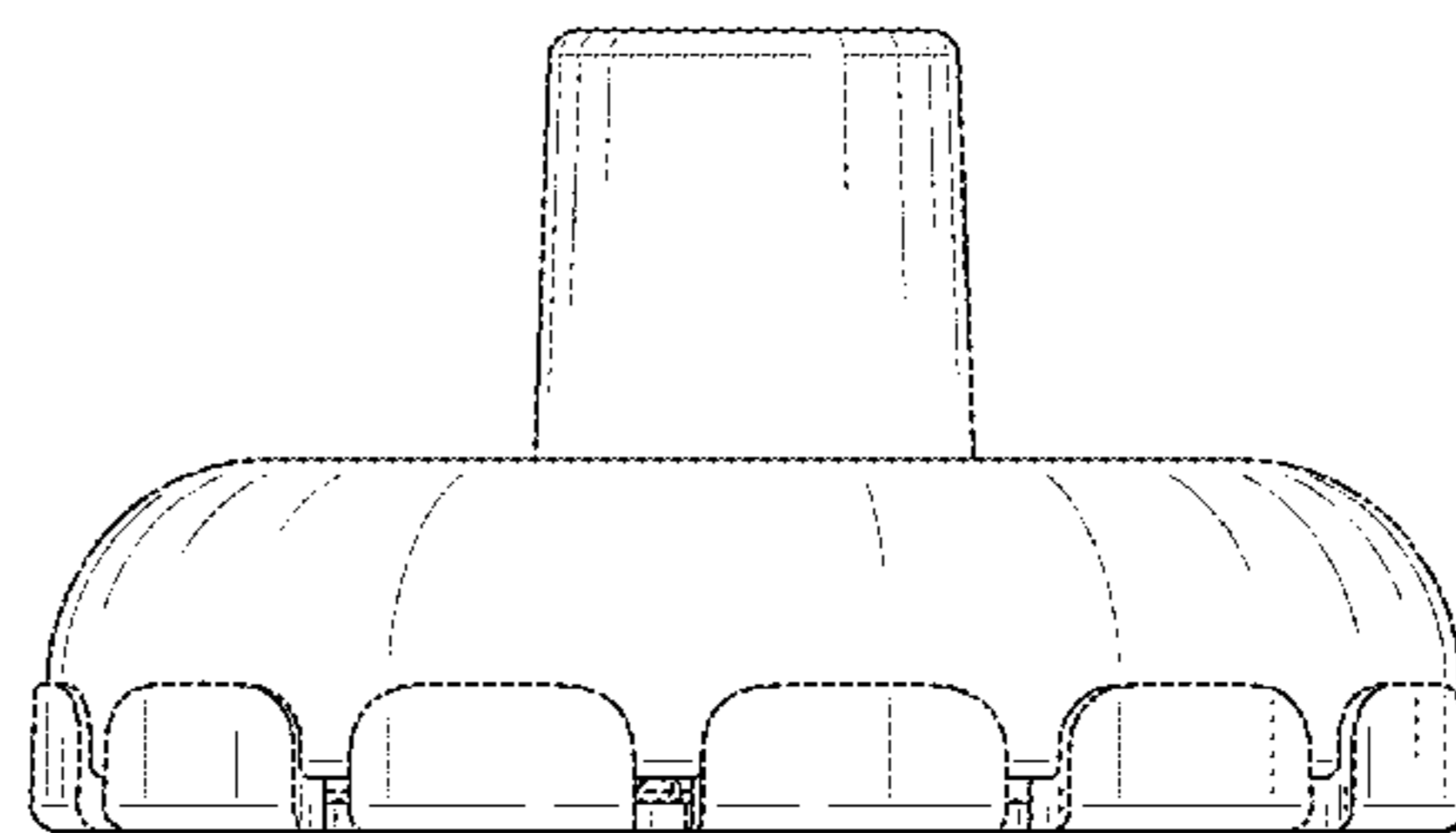
DESCRIPTION

FIG. 1 is a bottom perspective view of a standing cane tip elements in accordance with my new design; FIG. 2 is a top plan view thereof; FIG. 3 is a side elevation view thereof; and, FIG. 4 is a plan view.

The portions shown in broken lines in the figures depict unclaimed environmental subject matter, are for illustrative purposes only, and form no part of the claimed design. Similarly, unshaded portions that appear between broken lines or beyond boundary lines in the figures form no part of the claimed design and indicate that a specific length and/or width forms no part of the claimed design.

It will be understood that all lines in the drawings, including broken and solid lines, are intended to convey the full disclosure and variations of the designs and such variations shall be understood to be fully described herein. It will also be understood that any and all broken lines (or portions thereof) may be converted to solid lines, and any and all solid lines (or portions thereof) may be converted to broken lines, and any and all boundary lines removed or moved out or in to claim more or less of the standing cane tip elements, whether in subsequent divisional or continuation applications and/or by amendment. Further, as mentioned above, the boundary lines may be removed or moved out or in to claim more or less of the claimed standing cane tip elements.

1 Claim, 2 Drawing Sheets



(56)

References Cited

U.S. PATENT DOCUMENTS

1,615,663 A * 1/1927 Varga 446/246
 D81,900 S * 8/1930 Wesley D3/17
 D107,326 S 12/1937 Talamantes
 2,453,742 A 11/1948 Bowen et al.
 2,910,995 A * 11/1959 Jacuzzi 135/77
 3,163,437 A 12/1964 Phillipson
 3,289,685 A 12/1966 Parker
 D281,300 S * 11/1985 Gluck D6/708
 D289,859 S * 5/1987 Johnson et al. D10/66
 D291,635 S * 9/1987 Dickman D3/10
 4,947,882 A 8/1990 Lévasseur
 D325,281 S * 4/1992 Jordan D3/302
 5,178,176 A * 1/1993 Fetterman 135/86
 5,392,801 A 2/1995 Hannoosh et al.
 D362,336 S * 9/1995 Weaver D3/17
 5,894,944 A * 4/1999 Swift 211/78
 D415,299 S * 10/1999 Burbrink D26/38
 D417,070 S * 11/1999 Wyler D3/17
 5,992,434 A 11/1999 Berlin et al.
 D419,396 S * 1/2000 Prissberg D7/651
 D430,726 S * 9/2000 Burbrink D3/13
 6,131,593 A 10/2000 Greene et al.
 6,279,592 B1 * 8/2001 Yamamoto 135/77
 6,374,841 B1 * 4/2002 Yamamoto et al. 135/77
 6,463,946 B1 * 10/2002 Wu 135/16
 D476,803 S * 7/2003 Margolis D3/17
 D495,536 S * 9/2004 Lucht D6/708

6,883,530 B2 * 4/2005 Kawakami 135/84
 D511,889 S * 11/2005 Cockrell D3/17
 6,964,634 B2 * 11/2005 Wojtkiewicz et al. 482/77
 D550,950 S * 9/2007 Vanderminde D3/10
 7,287,474 B2 * 10/2007 Whitley 102/358
 D570,094 S * 6/2008 Wainwright D3/17
 D576,402 S 9/2008 White
 D587,894 S * 3/2009 Wainwright D3/10
 D598,959 S * 8/2009 Kiddoo D21/385
 D605,935 S * 12/2009 Zeyfang D8/402
 D609,899 S * 2/2010 Lai D3/10
 D610,792 S * 3/2010 Ozuna et al. D3/17
 D618,091 S * 6/2010 Bizzell D9/424
 7,748,396 B2 * 7/2010 Lasota 135/77
 2001/0040208 A1 * 11/2001 Li 248/519
 2005/0072711 A1 * 4/2005 Yang 206/545
 2007/0175503 A1 8/2007 Gordon

FOREIGN PATENT DOCUMENTS

JP D1425602 * 10/2011
 WO 9935930 7/1999

OTHER PUBLICATIONS

Juvo 7/8 Inch Stand Up Cane Tip, Announced Sep. 27, 2012, [Site Visited Jun. 24, 2015] <http://www.mobility-aids.com/juvo-stand-up-cane-tip-78.html>.*

* cited by examiner

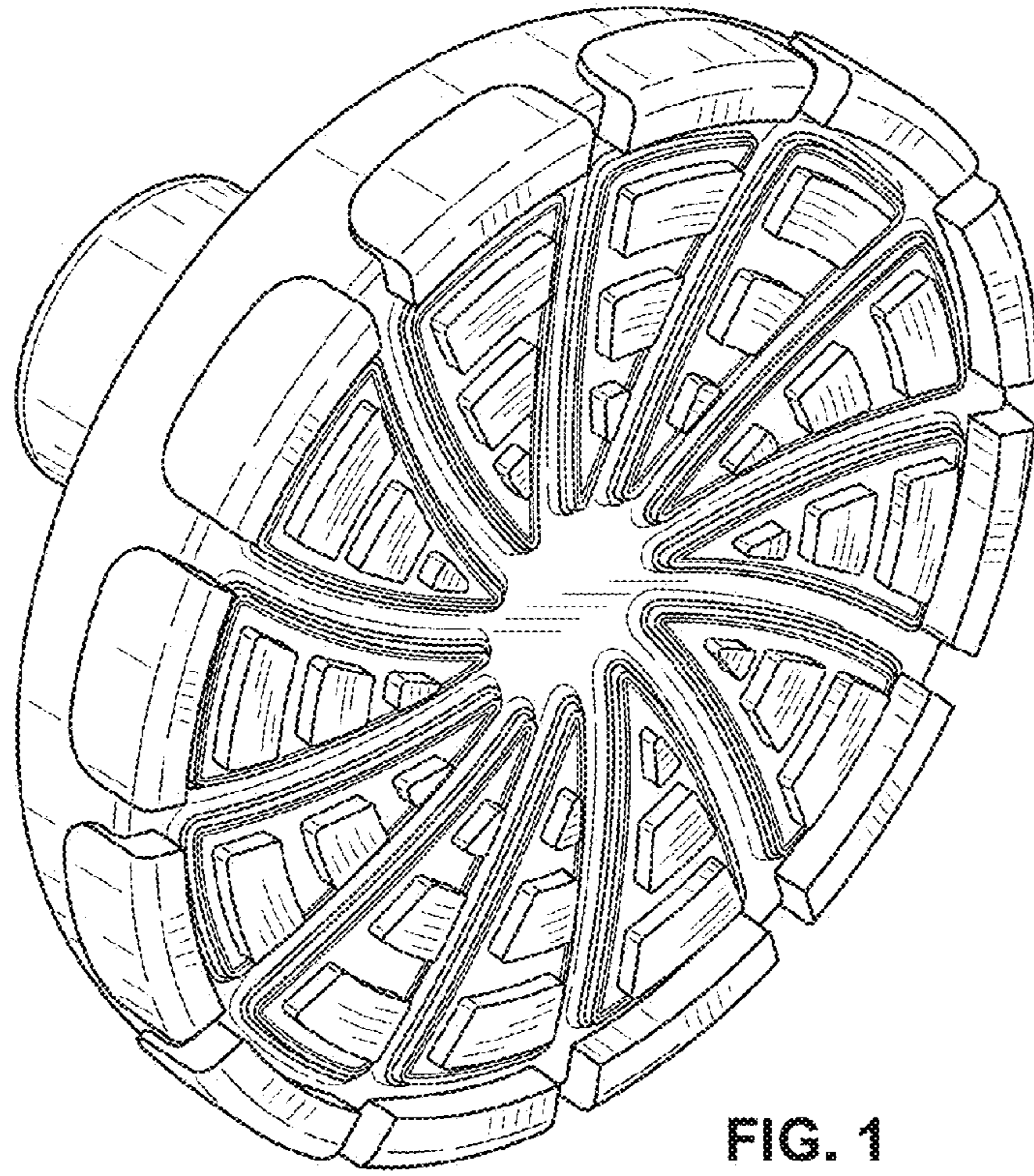


FIG. 1

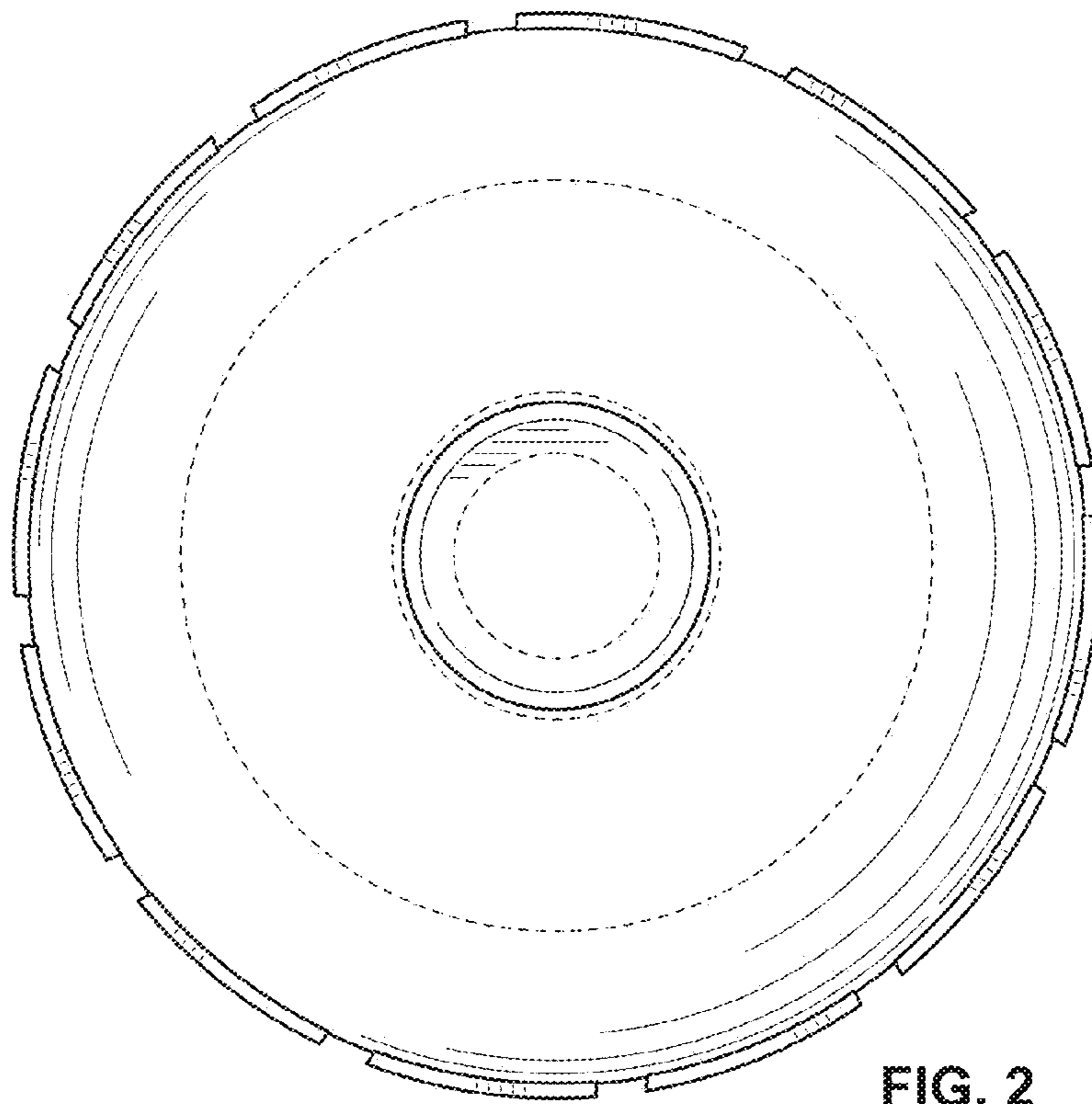


FIG. 2

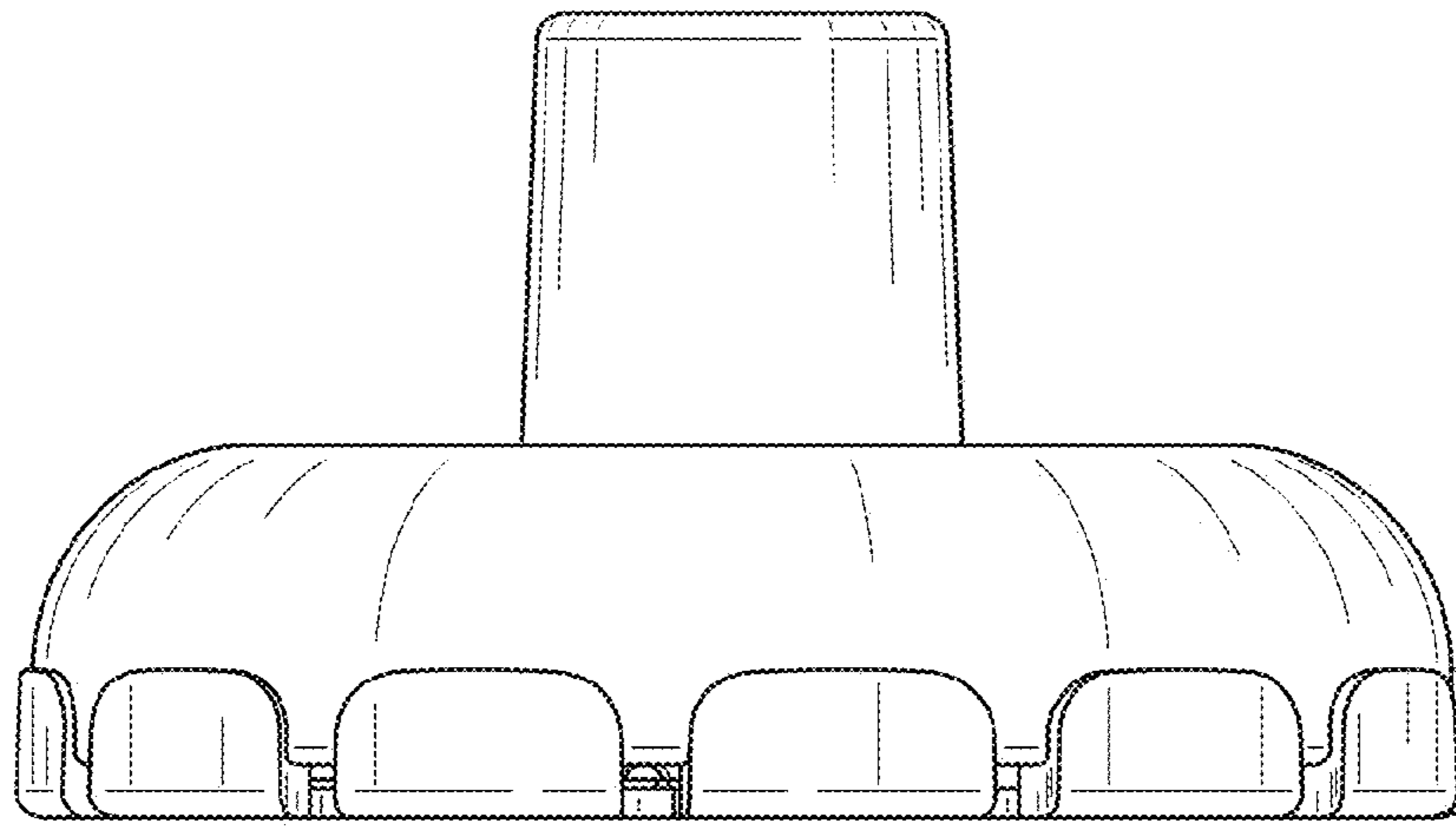


FIG. 3

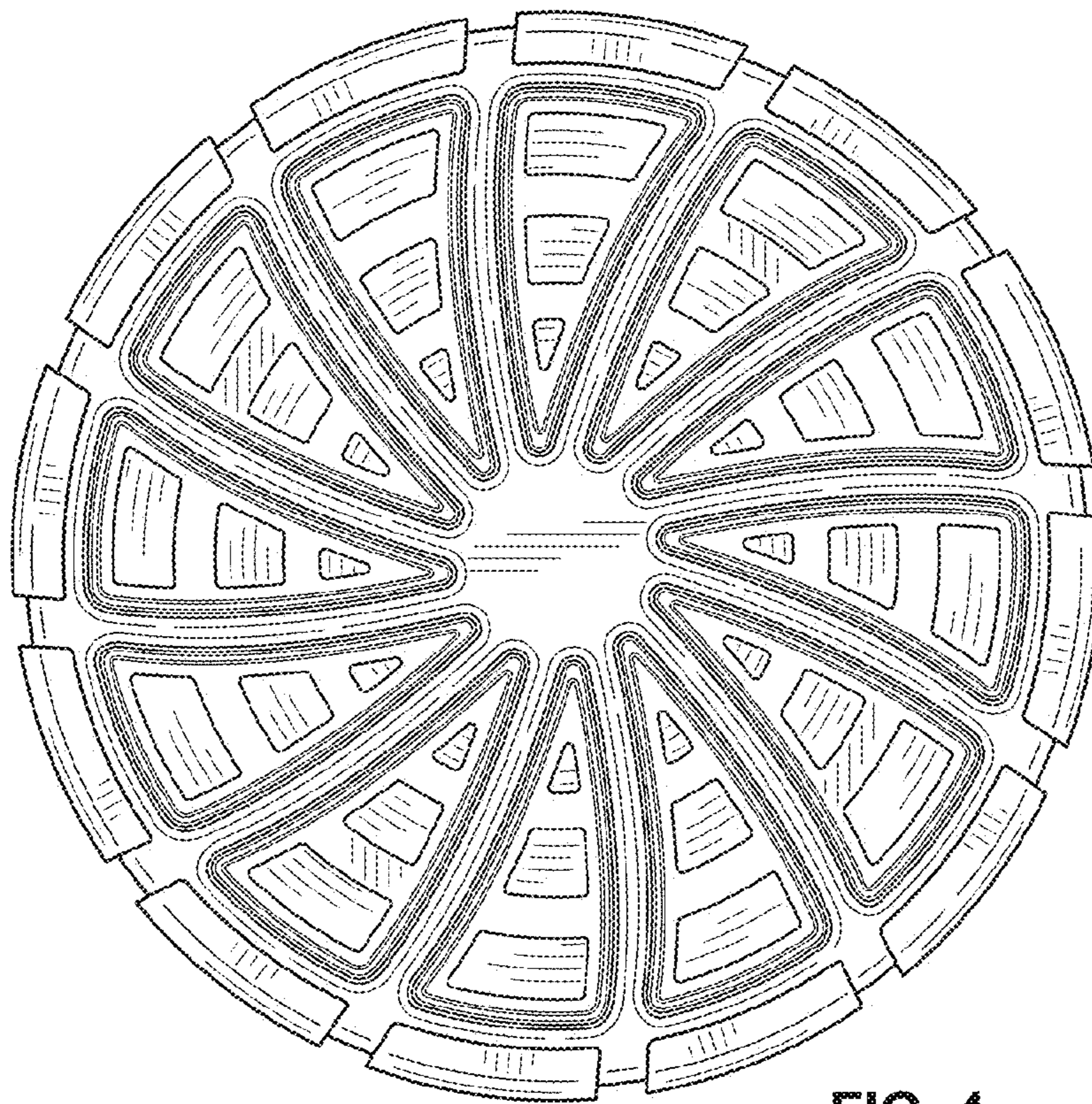


FIG. 4