

US00D752853S

(12) **United States Design Patent**  
**Sugita**

(10) **Patent No.:** **US D752,853 S**  
(45) **Date of Patent:** **\*\* Apr. 5, 2016**

- (54) **FOLDING UMBRELLA**
- (71) Applicant: **Sugita Co., Ltd.**, Osaka (JP)
- (72) Inventor: **Yoshiyuki Sugita**, Osaka (JP)
- (73) Assignee: **Sugita Co., Ltd.**, Osaka (JP)
- (\*\*) Term: **14 Years**
- (21) Appl. No.: **29/446,066**
- (22) Filed: **Feb. 20, 2013**

(30) **Foreign Application Priority Data**

Nov. 9, 2012 (JP) ..... 2012-027381

(51) **LOC (10) Cl.** ..... **03-03**

(52) **U.S. Cl.**  
USPC ..... **D3/10**

(58) **Field of Classification Search**

USPC ..... D3/5, 7, 10; D16/244, 245, 250; D17/9,  
D17/99; D21/319, 358, 679, 680, 681, 724,  
D21/775; 135/15.1, 17, 19, 33.7; 482/18  
CPC ..... A45B 1/00; A45B 9/04; A45B 2009/005  
See application file for complete search history.

(56) **References Cited**

**U.S. PATENT DOCUMENTS**

- 1,843,290 A \* 2/1932 Maxwell, Jr. .... 135/17
- 3,456,661 A \* 7/1969 Farley ..... 135/33.7
- D371,673 S \* 7/1996 Morales ..... D3/5
- D393,539 S \* 4/1998 Bridgen ..... D3/5
- D413,198 S \* 8/1999 You ..... D3/5
- D583,883 S \* 12/2008 Thomas ..... D21/679
- D679,492 S \* 4/2013 Pethoud ..... D3/7
- D685,568 S \* 7/2013 You ..... D3/10
- D700,383 S \* 2/2014 Seidl et al. .... D26/43

**OTHER PUBLICATIONS**

Weight Lifting Rods: Annoucned Jan. 4, 2011, [online], [site visited Dec. 19, 2014]. Available from Internet URL<: Rediff.com.\*

\* cited by examiner

*Primary Examiner* — Thomas Johannes

*Assistant Examiner* — Catherine Posthauer

(74) *Attorney, Agent, or Firm* — McDonald Hopkins LLC

(57) **CLAIM**

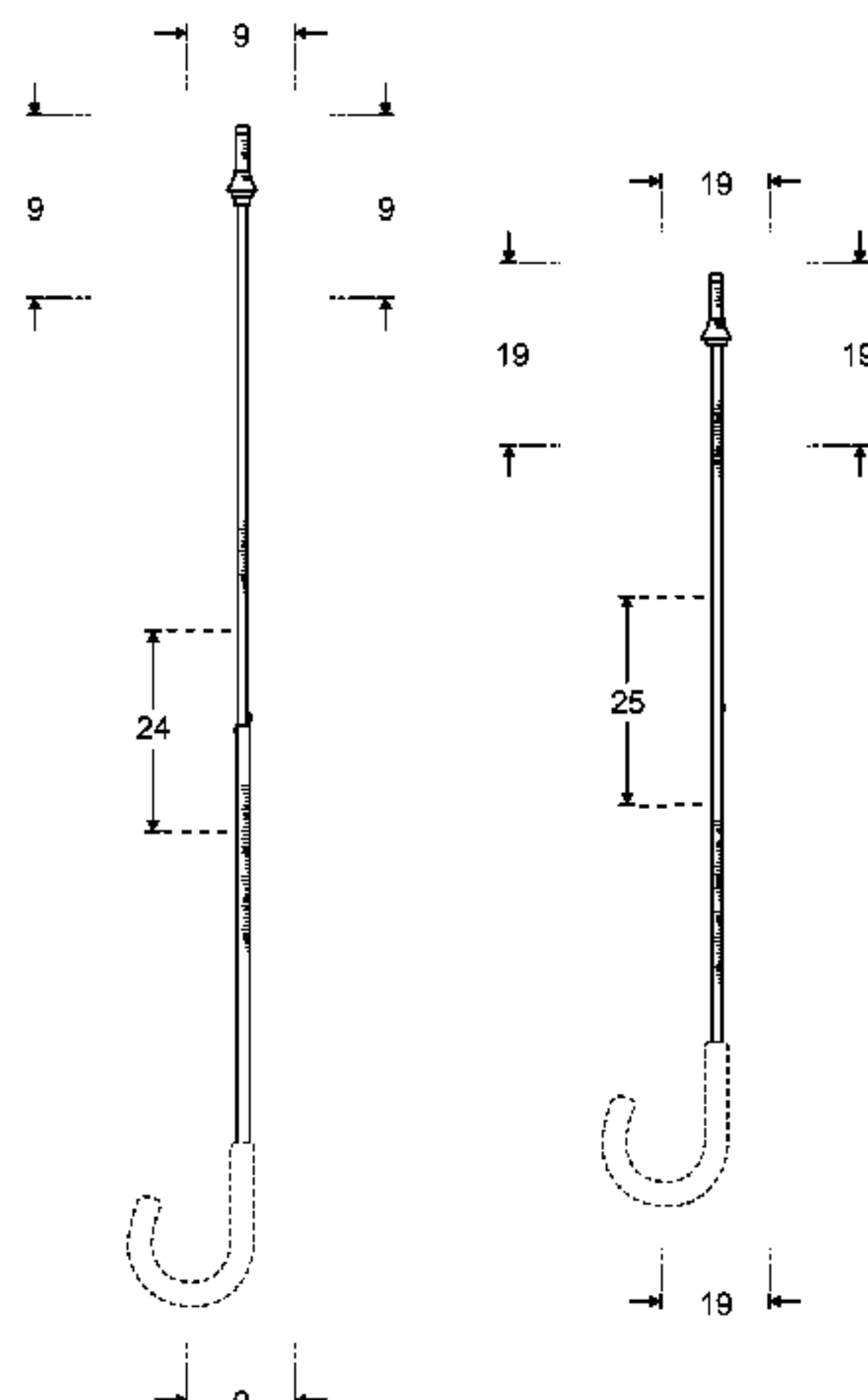
The ornamental design for a folding umbrella, as shown and described.

**DESCRIPTION**

FIG. 1 is a front view of a folding umbrella showing our new design; the back view thereof being a mirror image;  
 FIG. 2 is a right view thereof;  
 FIG. 3 is a top view thereof;  
 FIG. 4 is a left view thereof;  
 FIG. 5 is a bottom view thereof;  
 FIG. 6 is a large view indicated in FIG. 2 thereof;  
 FIG. 7 is a large view indicated in FIG. 3 thereof;  
 FIG. 8 is a front view of a rod thereof with broken lines removed for completeness of illustration;  
 FIG. 9 is a large view indicated in FIG. 8 thereof;  
 FIG. 10 is a folding state view thereof;  
 FIG. 11 is a front view of a second embodiment of a folding umbrella; the back view thereof being a mirror image;  
 FIG. 12 is a right view thereof;  
 FIG. 13 is a top view thereof;  
 FIG. 14 is a left view thereof;  
 FIG. 15 is a bottom view thereof;  
 FIG. 16 is a large view indicated in FIG. 2 thereof;  
 FIG. 17 is a large view indicated in FIG. 3 thereof;  
 FIG. 18 is a front view of a rod thereof with broken lines removed for completeness of illustration;  
 FIG. 19 is a large view indicated in FIG. 8 thereof;  
 FIG. 20 is a folding state view thereof;  
 FIG. 21 is a callout of length 21, called out on FIG. 1 and enlarged for illustrative clarity;  
 FIG. 22 is a callout of length 22, called out on FIG. 2 and enlarged for illustrative clarity;  
 FIG. 23 is a callout of length 23, called out on FIG. 4 and enlarged for illustrative clarit;  
 FIG. 24 is a callout of length 24, called out on FIG. 8 and enlarged for illustrative clarity; and,  
 FIG. 25 is a callout of length 25, called out on FIG. 18 and enlarged for illustrative clarity.

The broken lines are shown for the purpose of illustrating the unclaimed handle and canopy of the umbrella form no part of the claimed design. The horizontal broken lines shown in FIGS. 1, 2, 4, 8, 18 and 21-25 are for the purpose of identifying enlargement views and their origins and form no part of the claimed design.

**1 Claim, 25 Drawing Sheets**



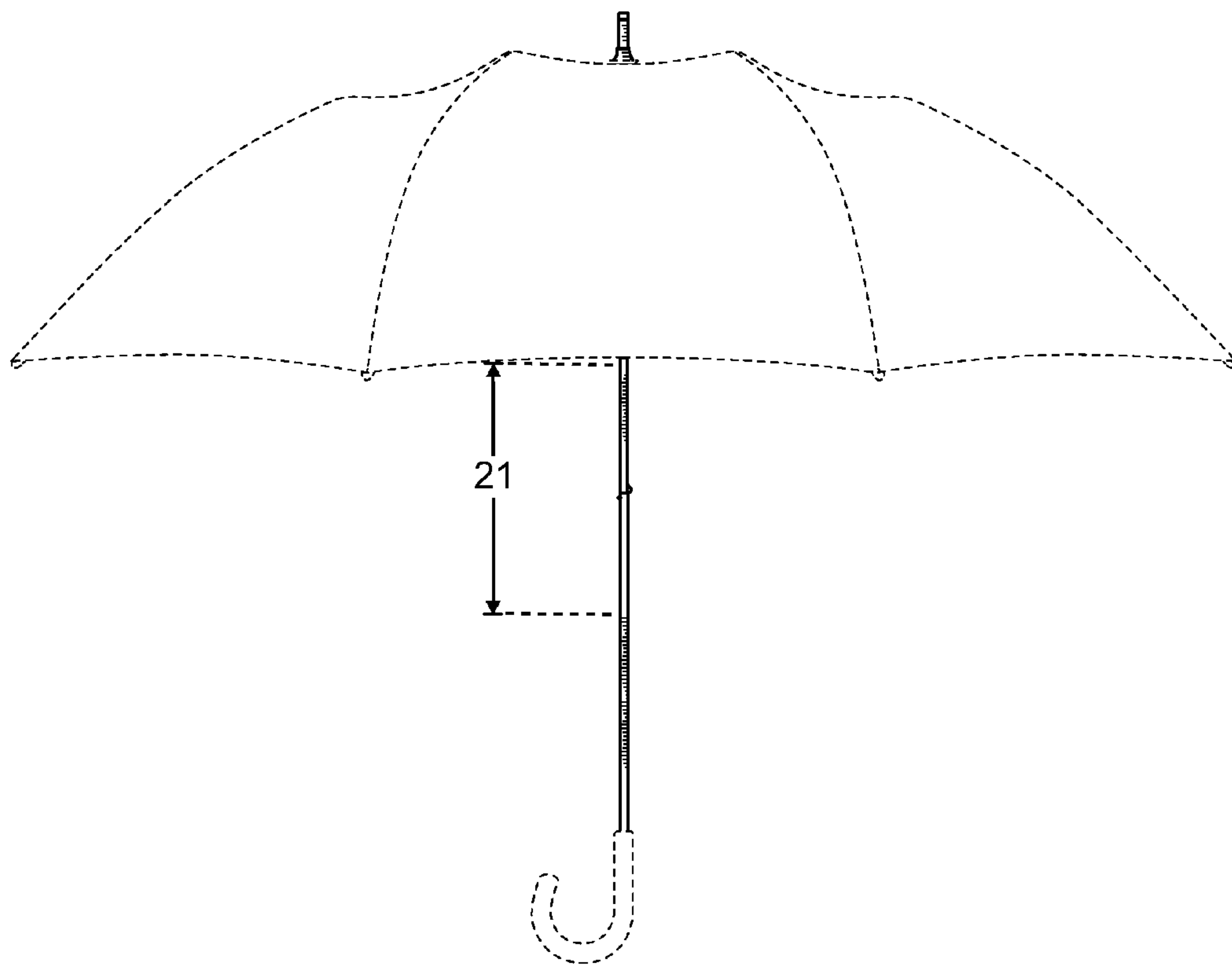


FIG. 1

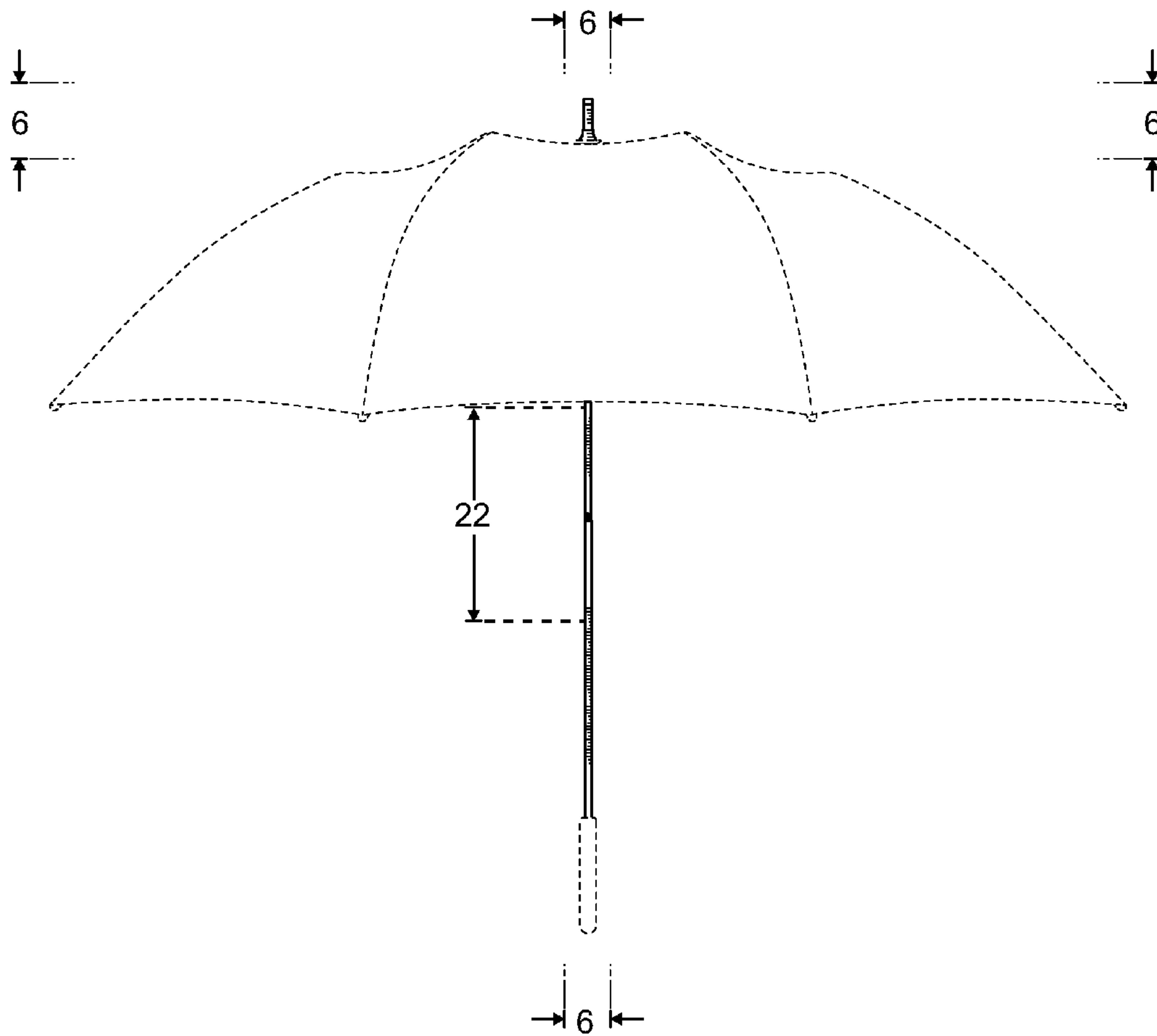
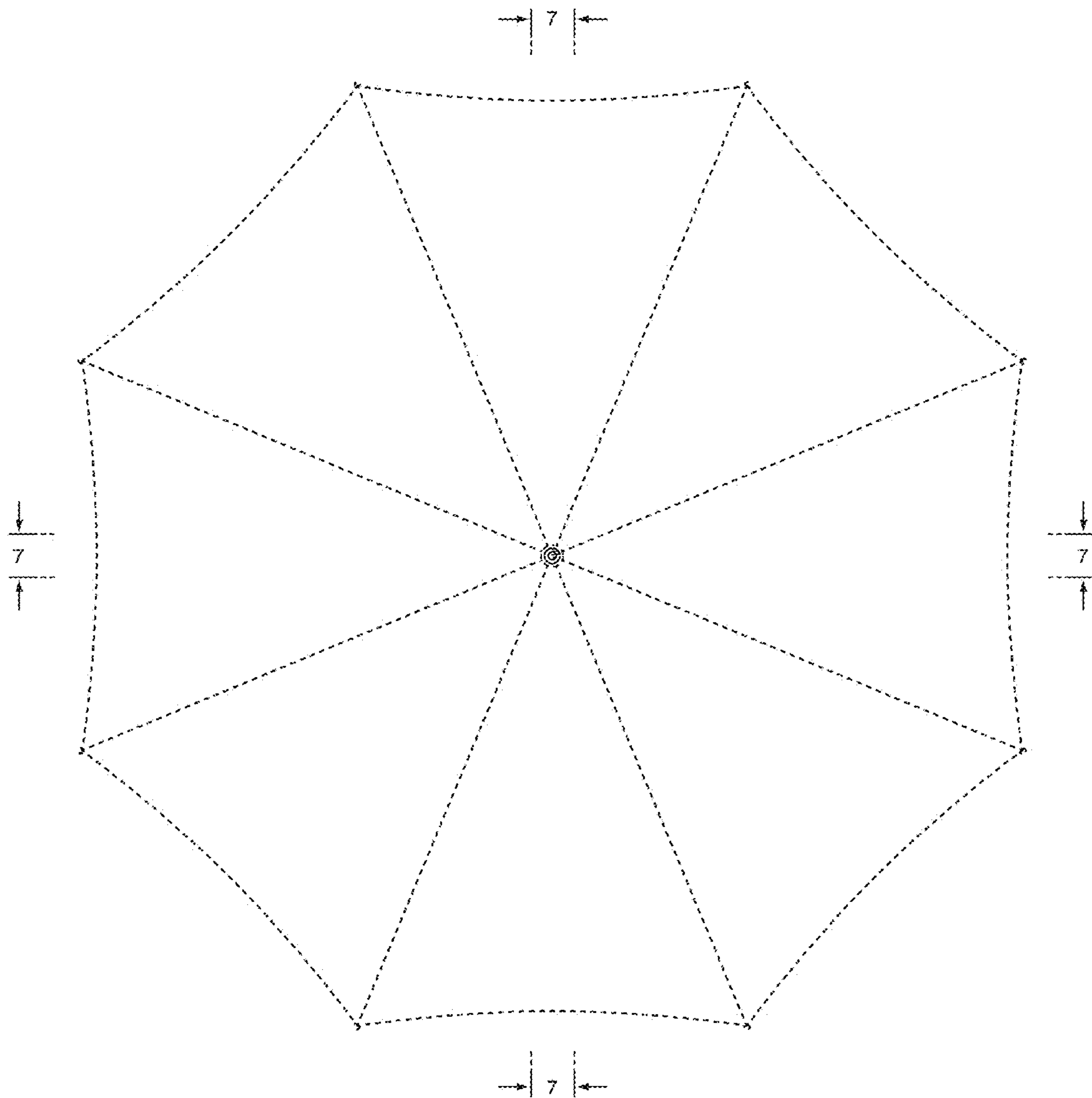


FIG. 2

Fig.3



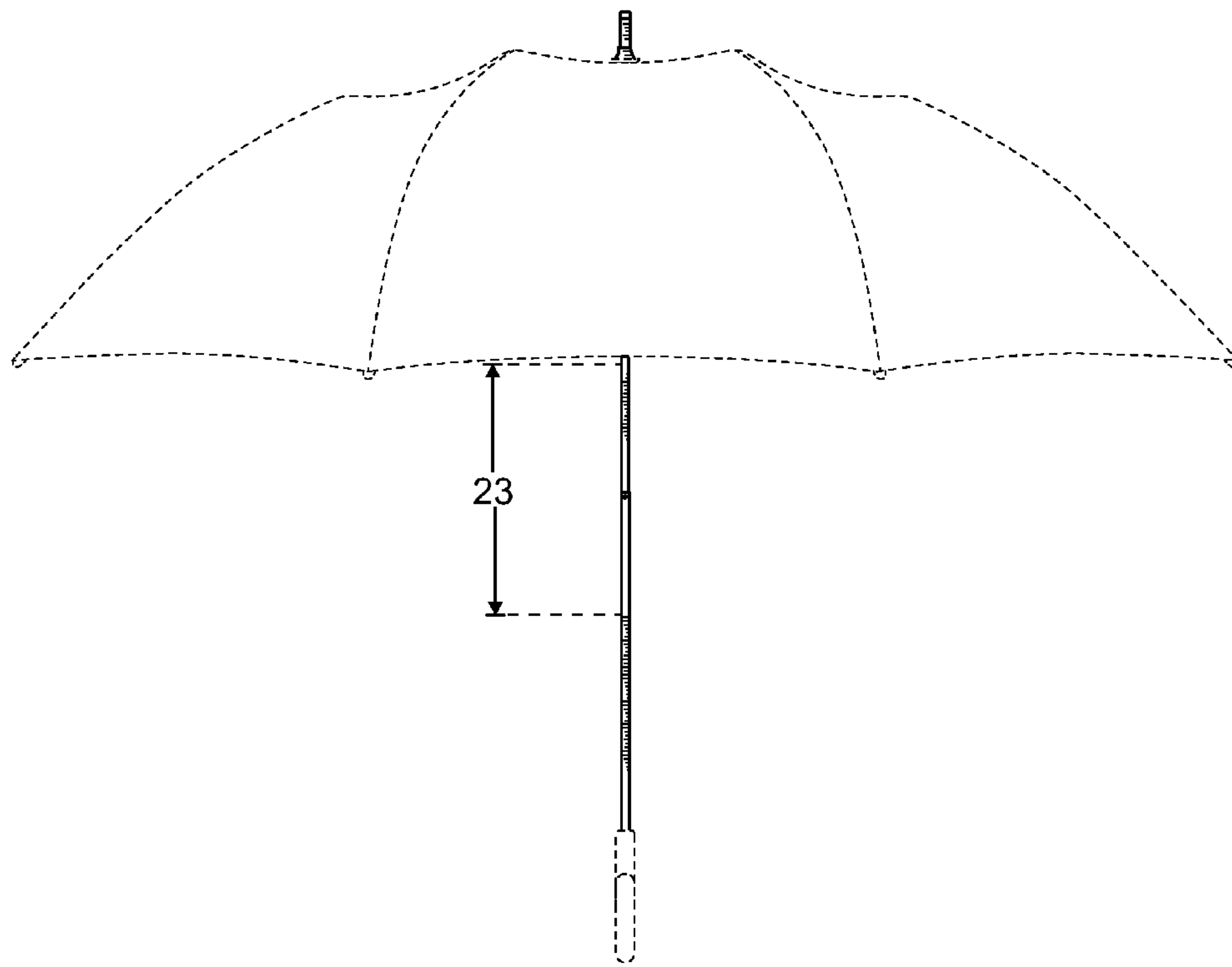


FIG. 4

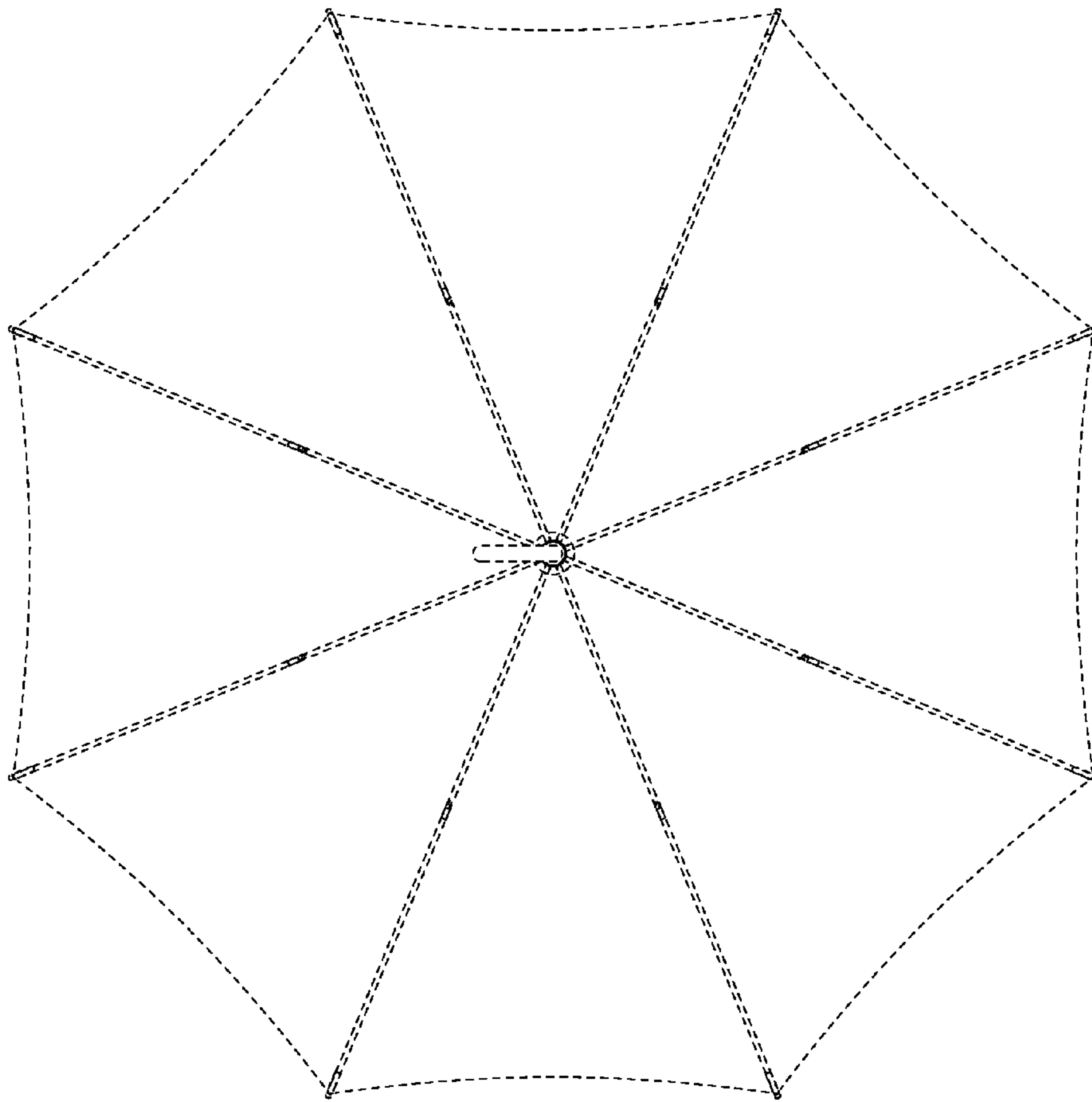


FIG. 5

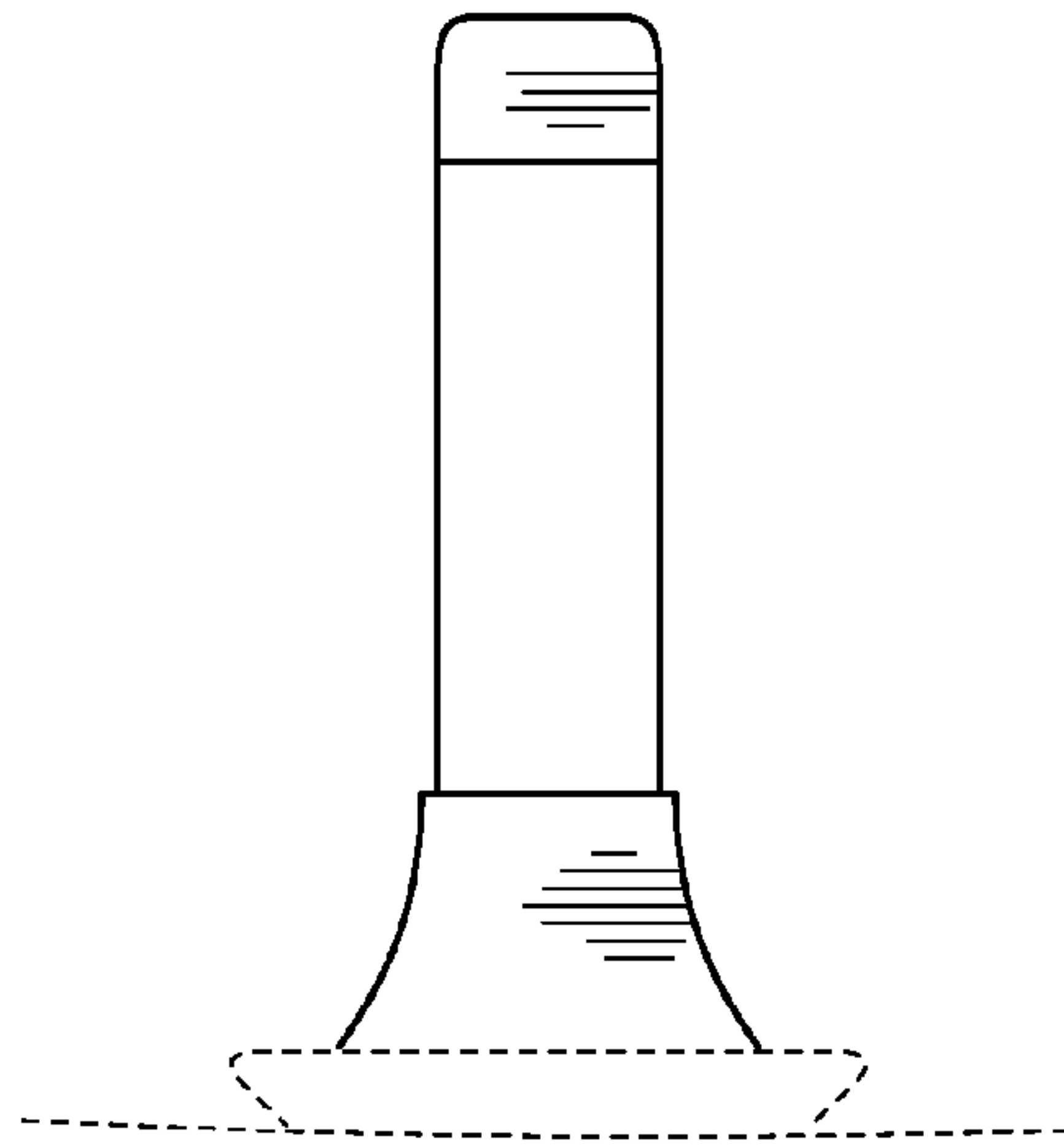


FIG. 6

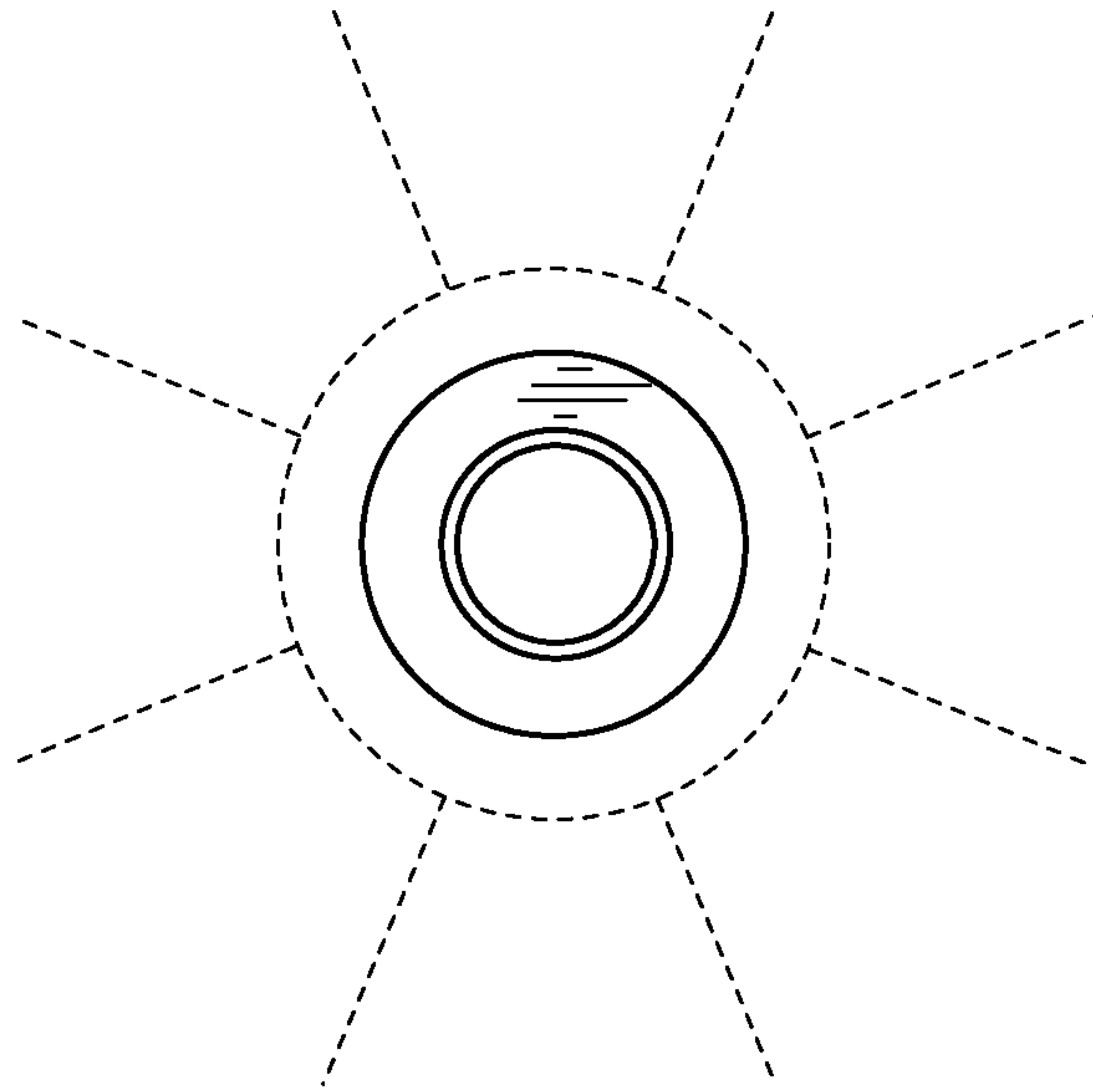


FIG. 7



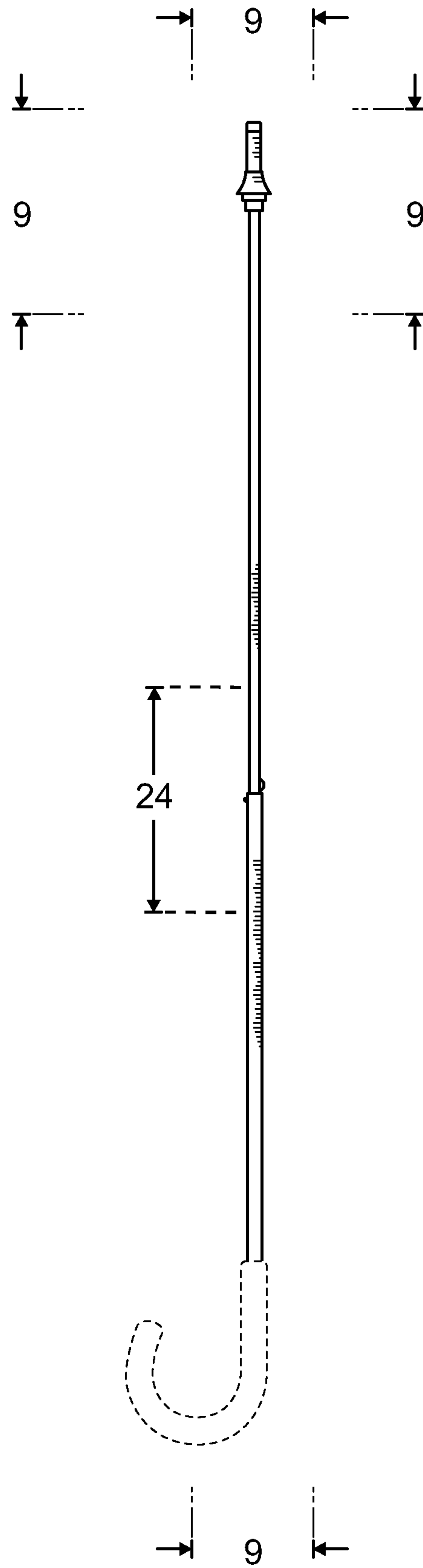


FIG. 8

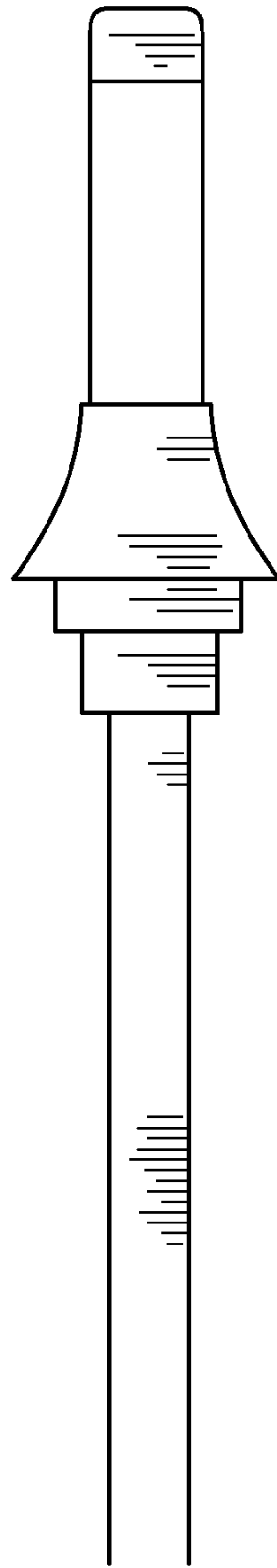


FIG. 9

Fig.10

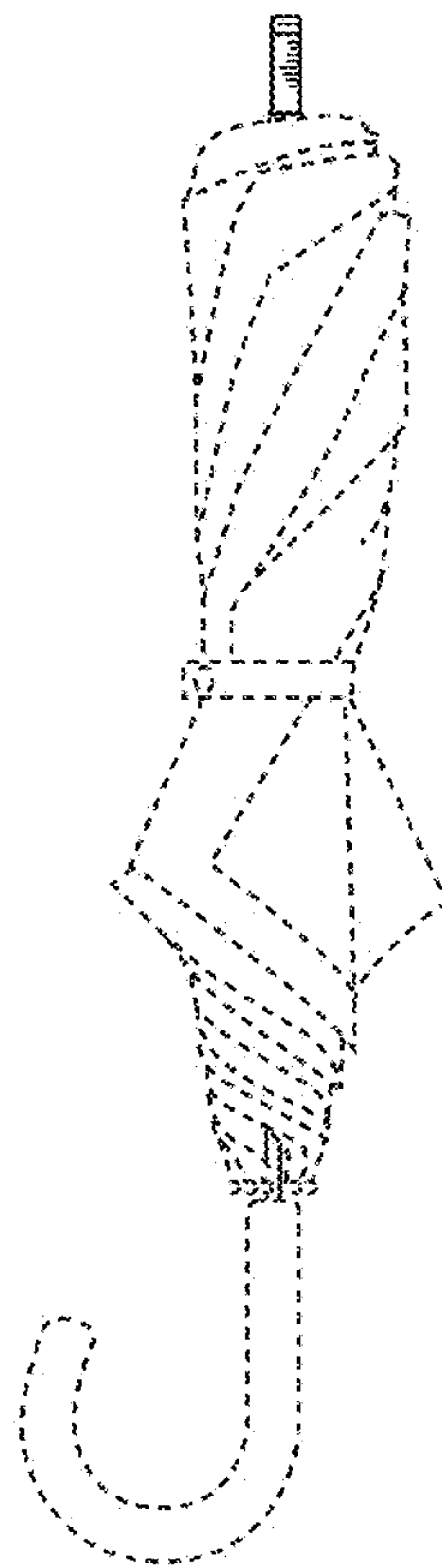


Fig. 11

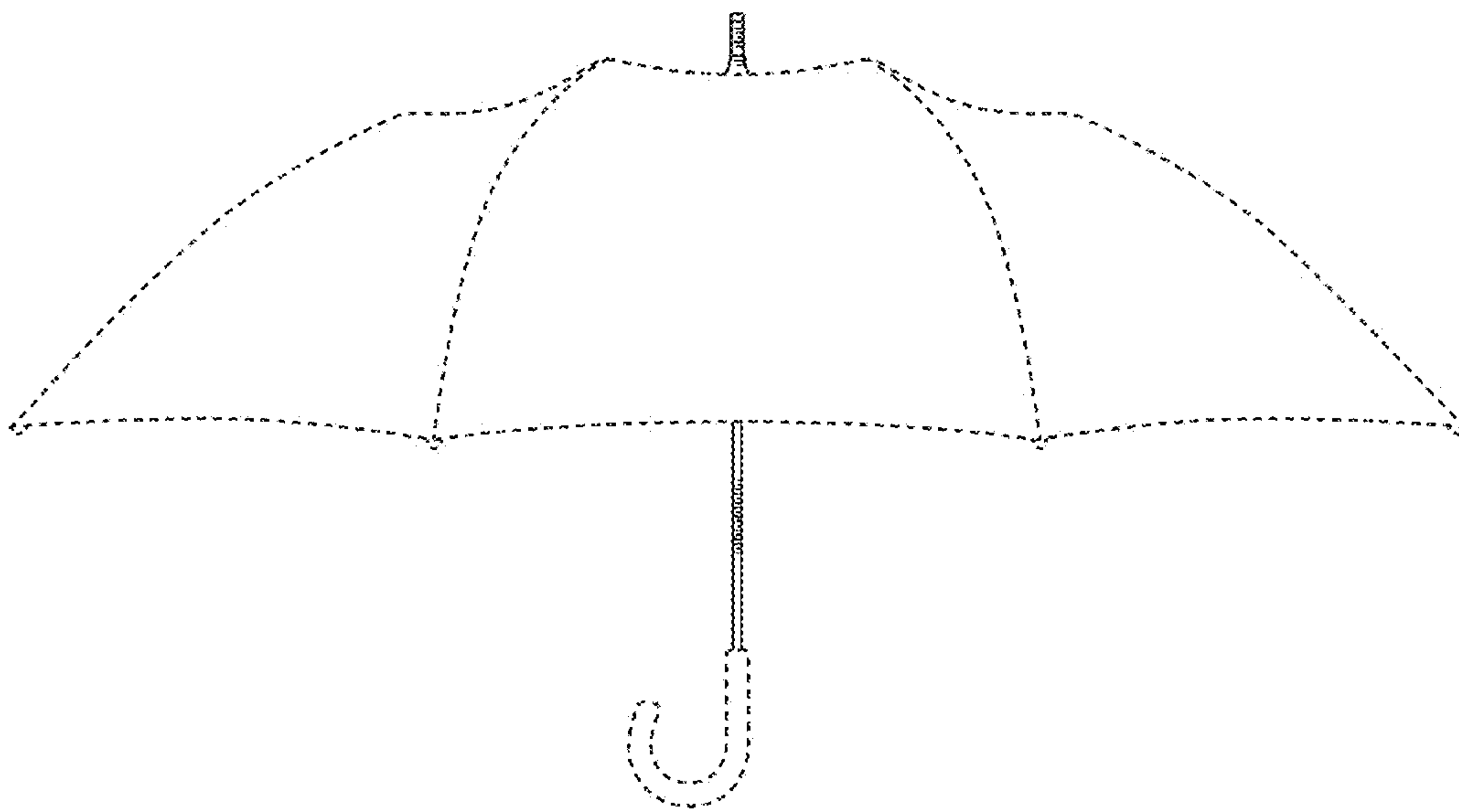


Fig.12

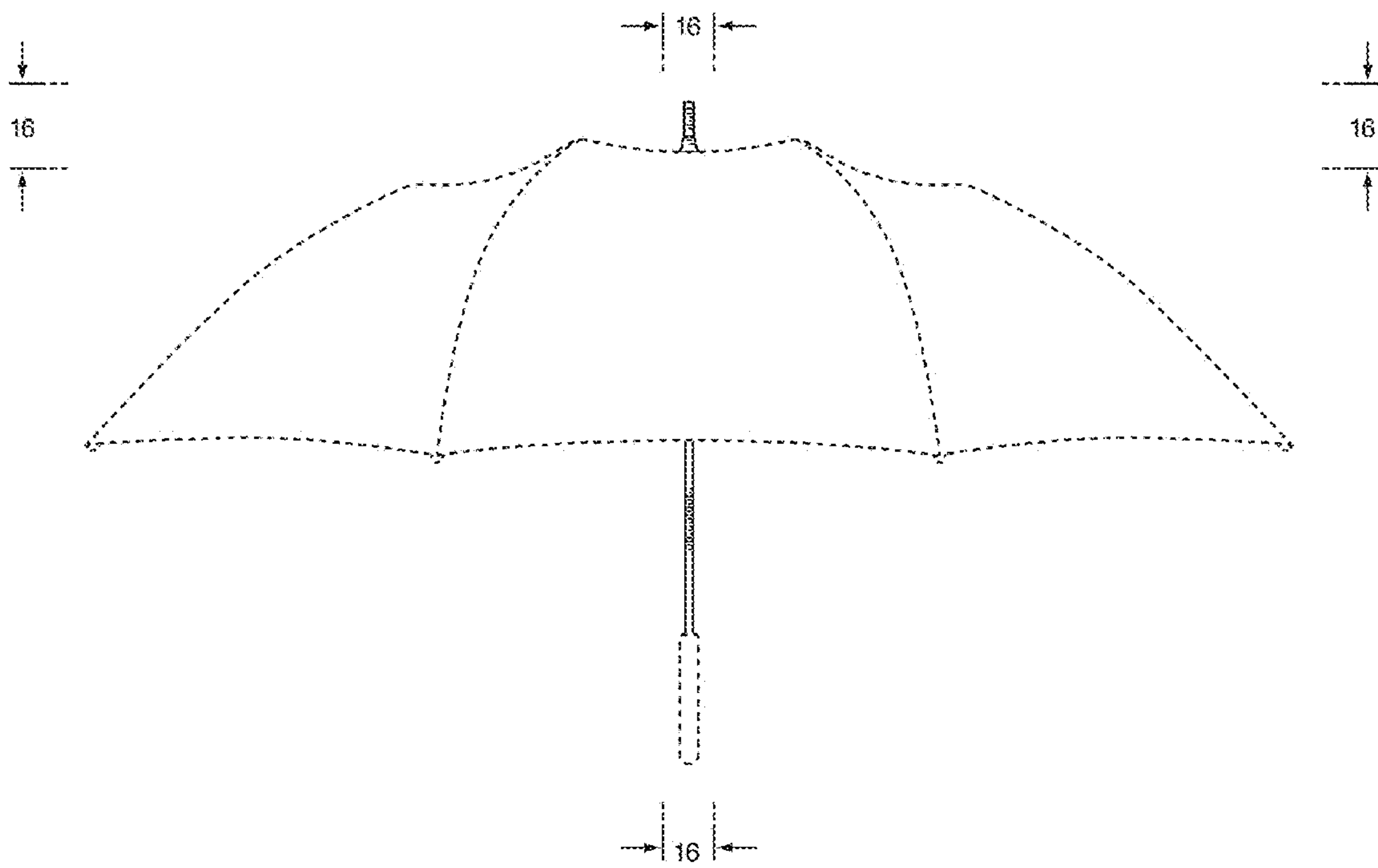


Fig.13

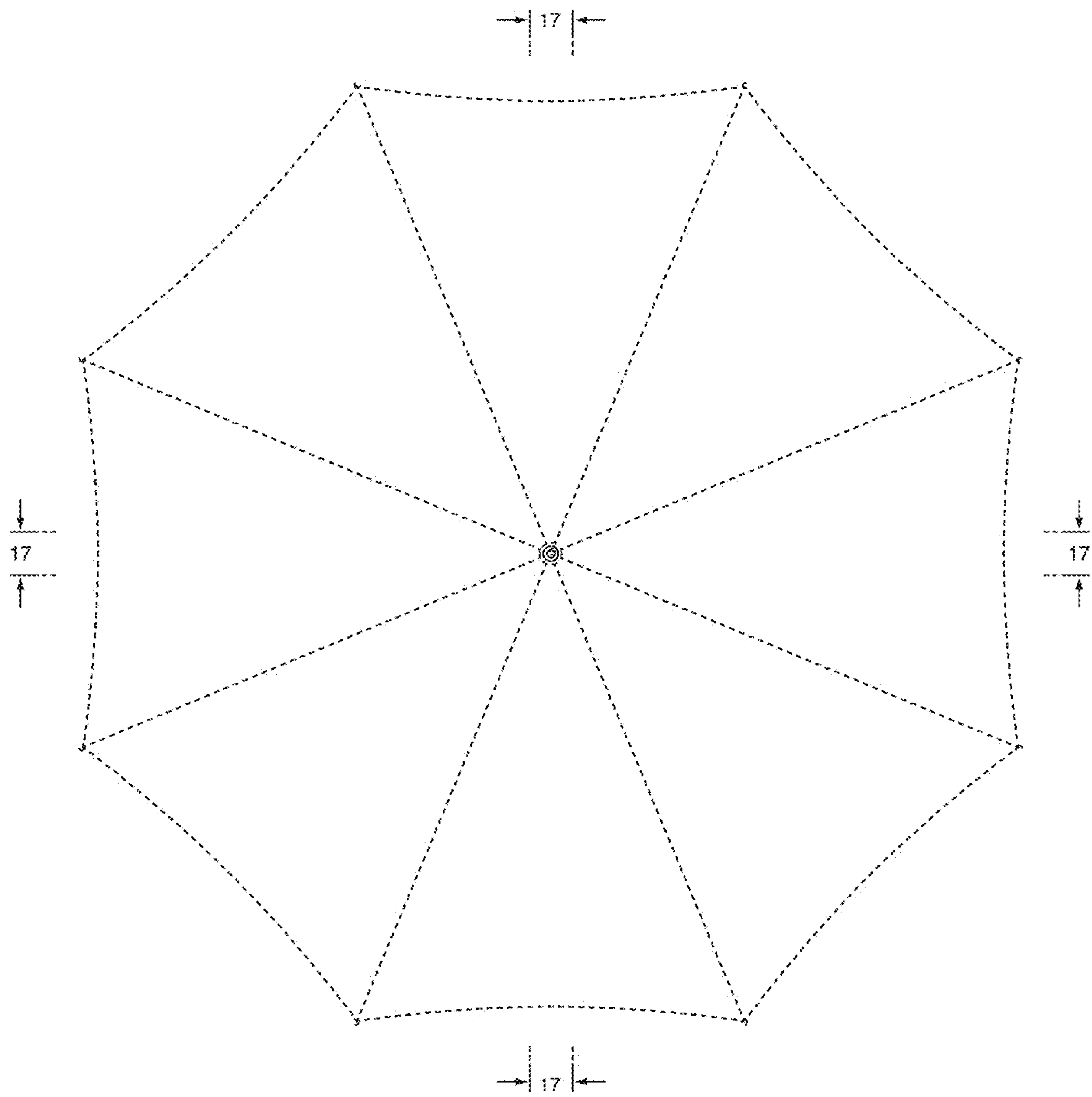
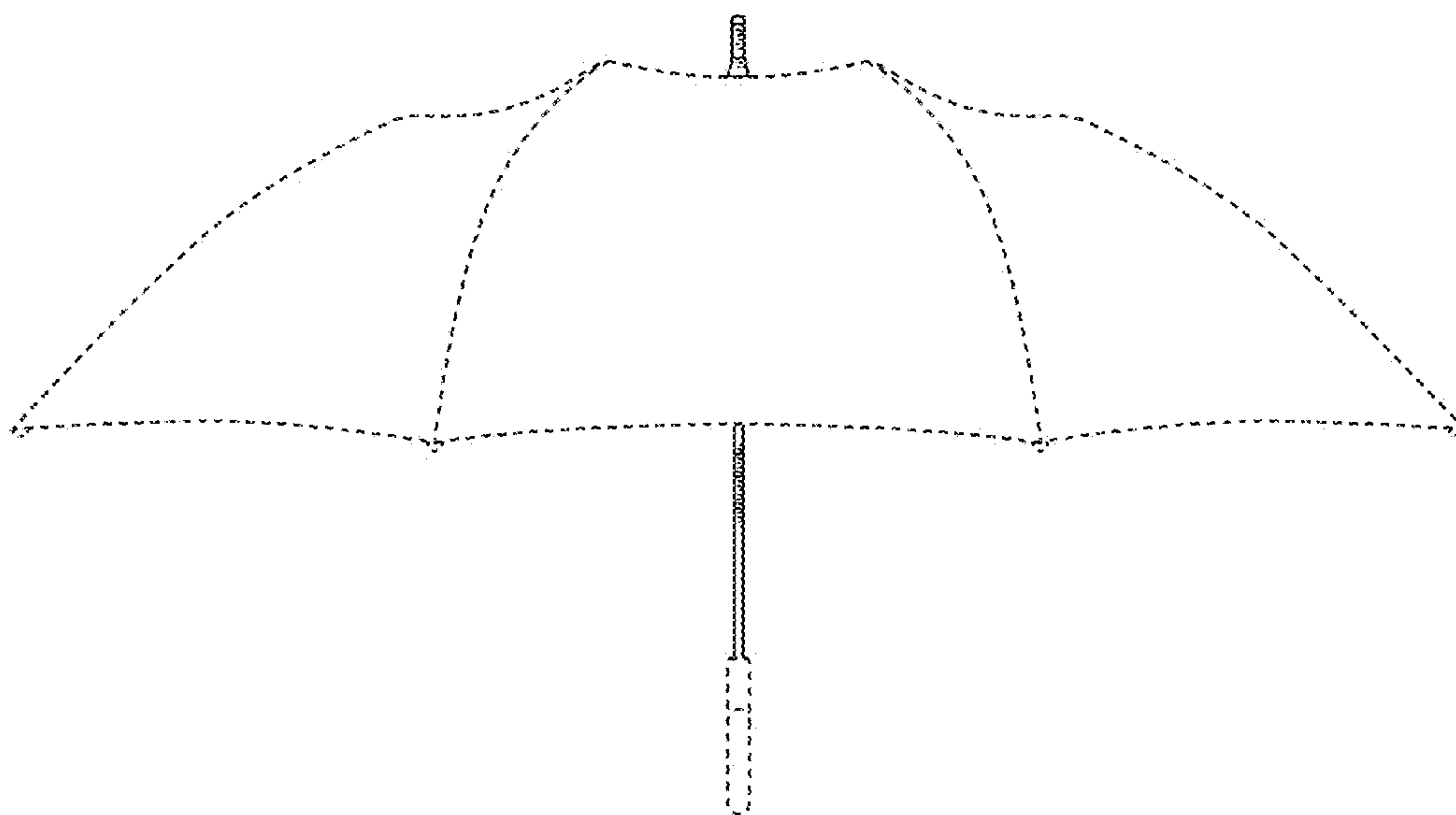


Fig.14.



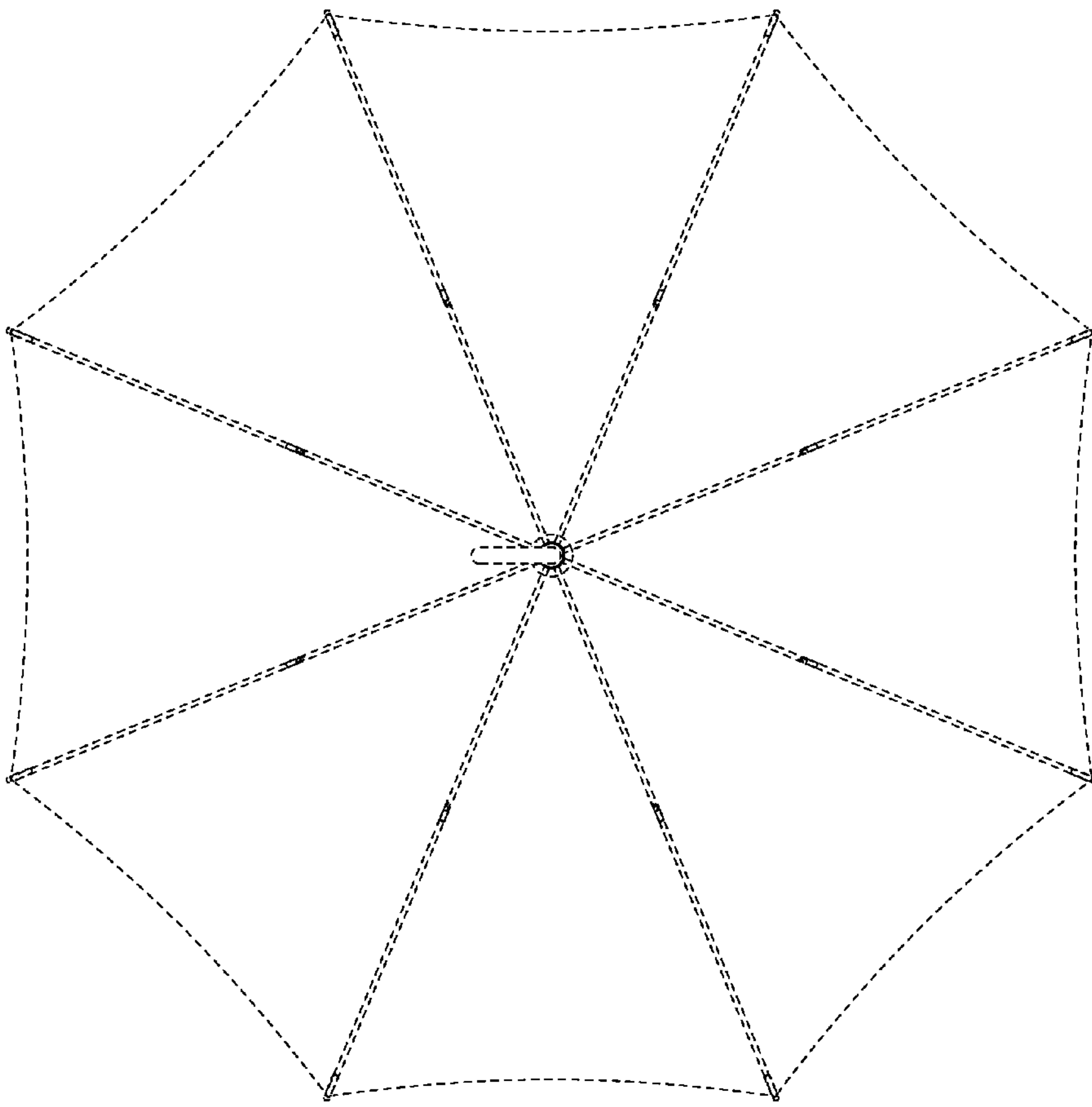


FIG. 15



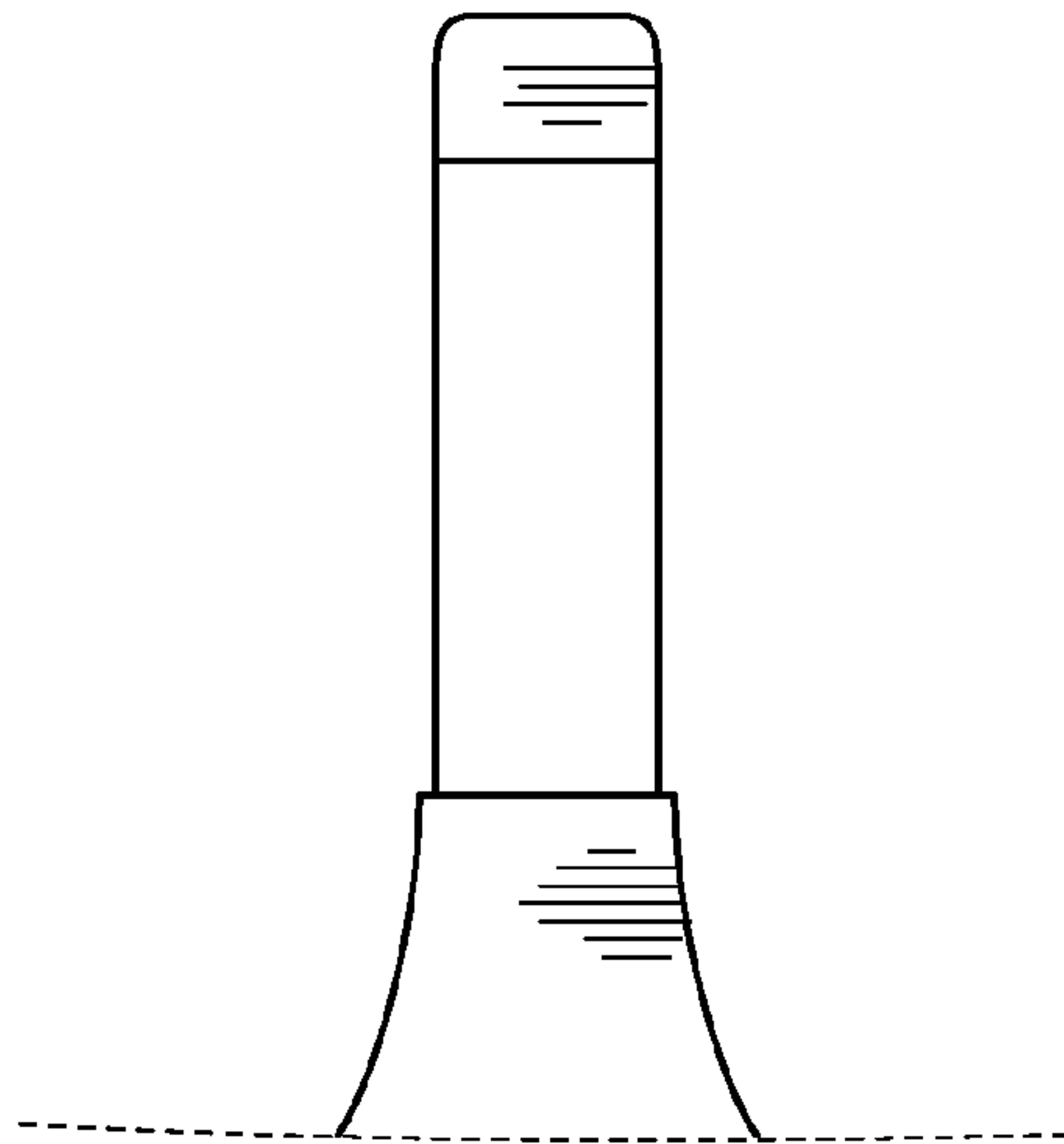


FIG. 16

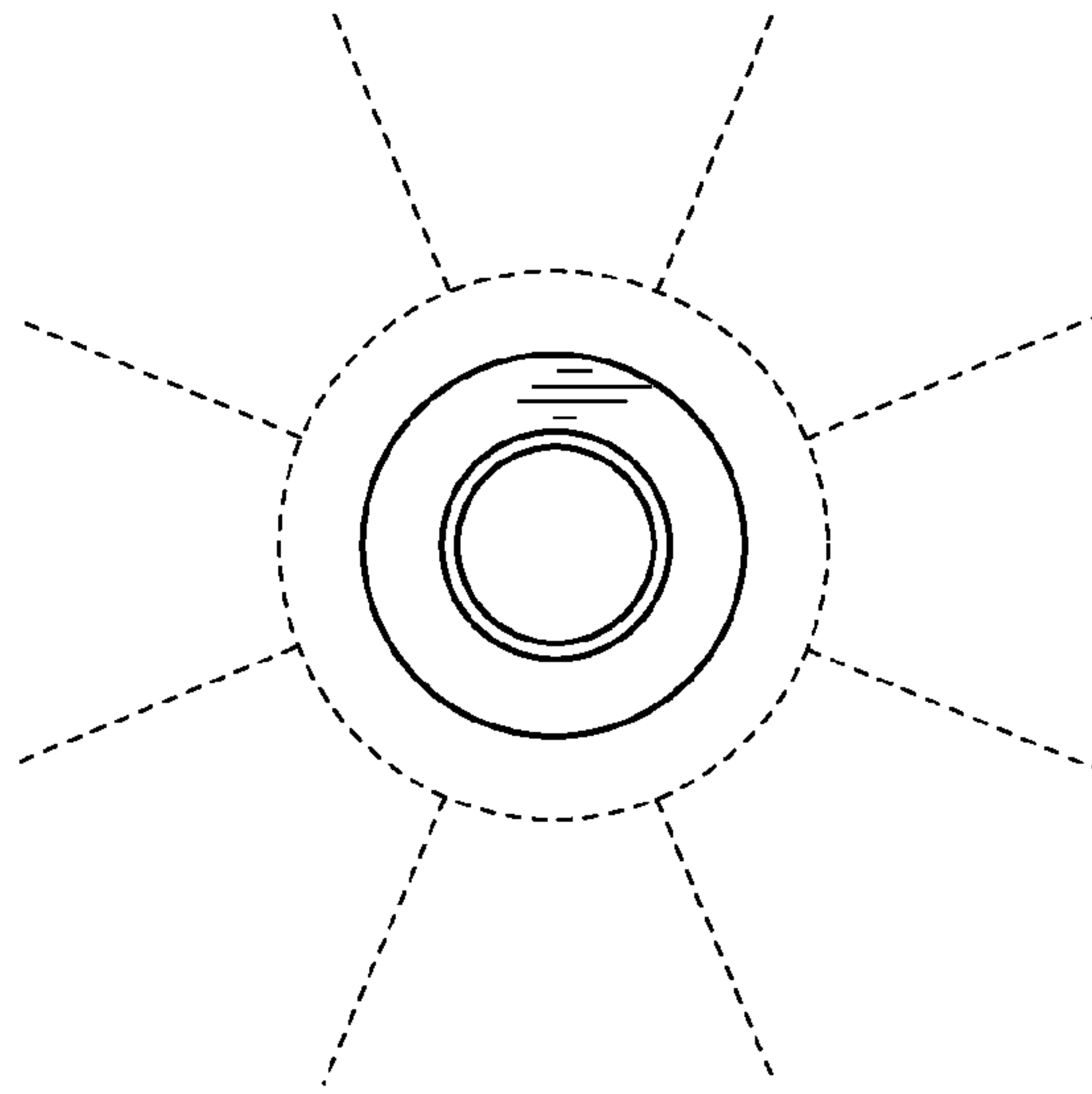


FIG. 17

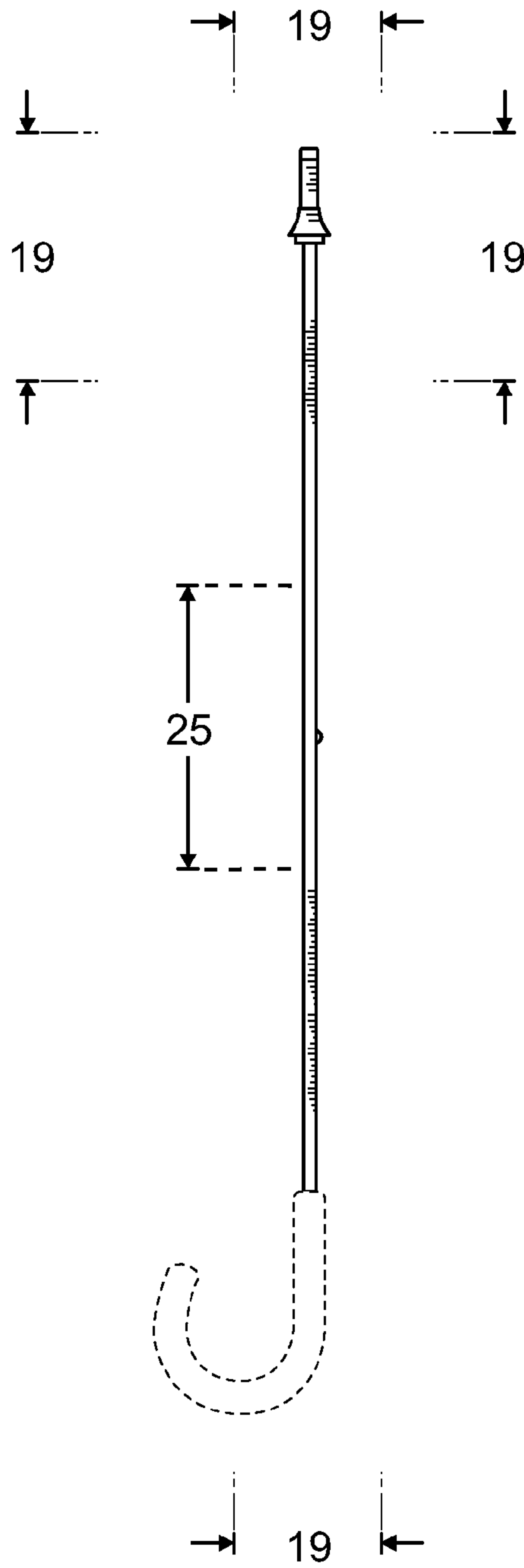


FIG. 18

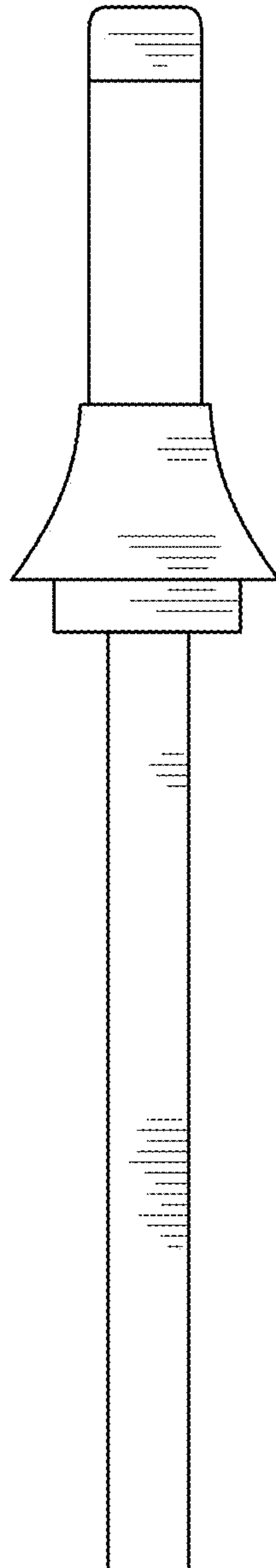
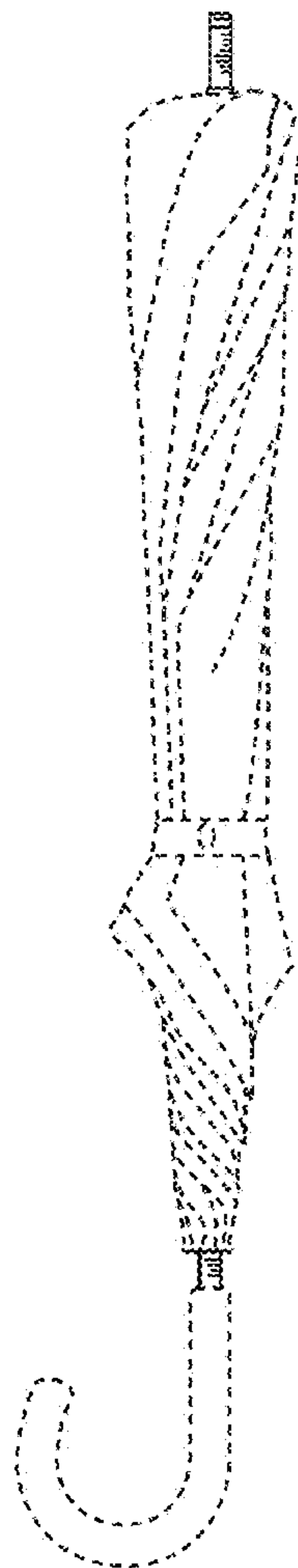


FIG. 19

Fig.20



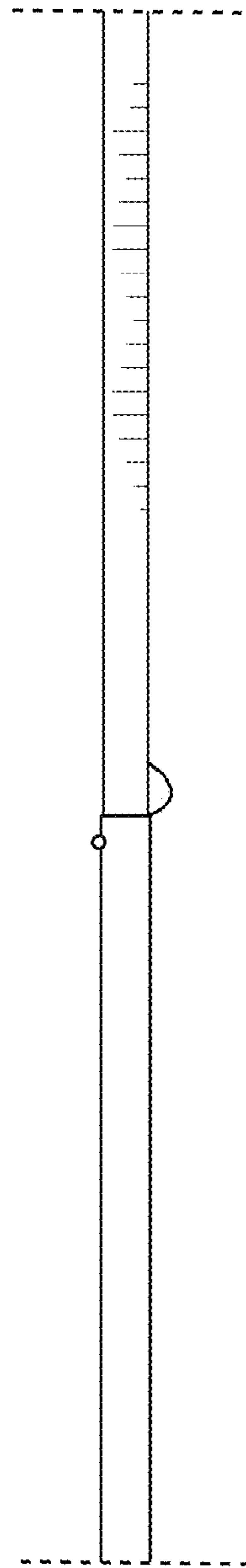


FIG. 21

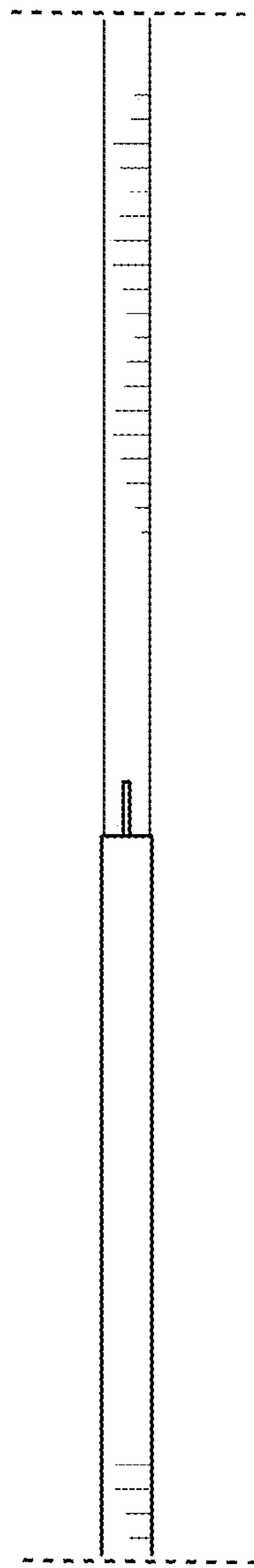


FIG. 22

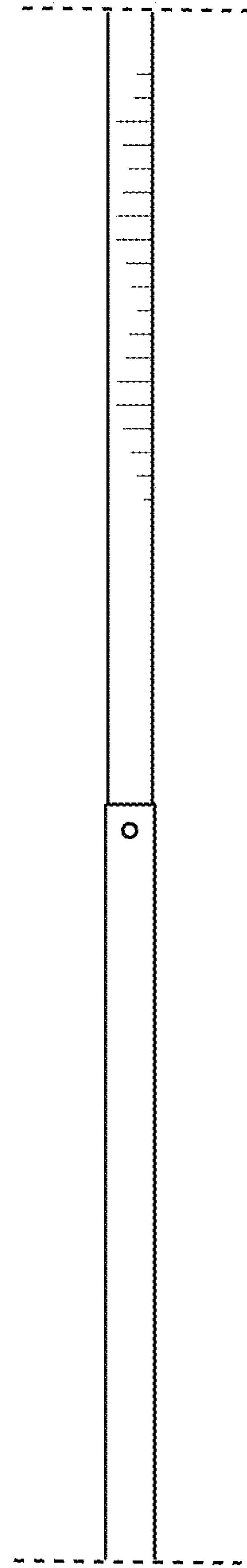


FIG. 23



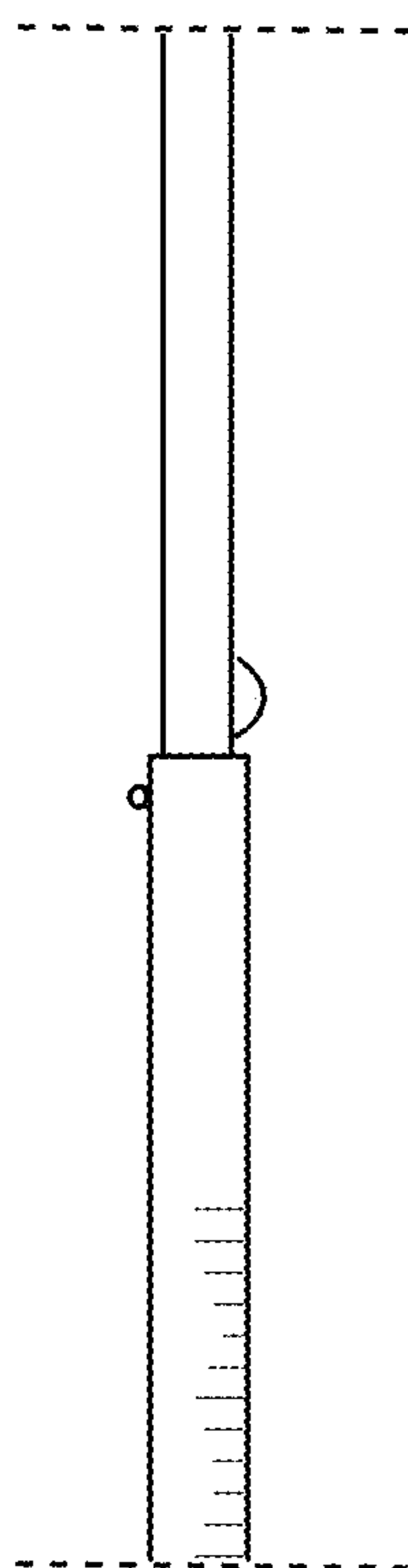


FIG. 24

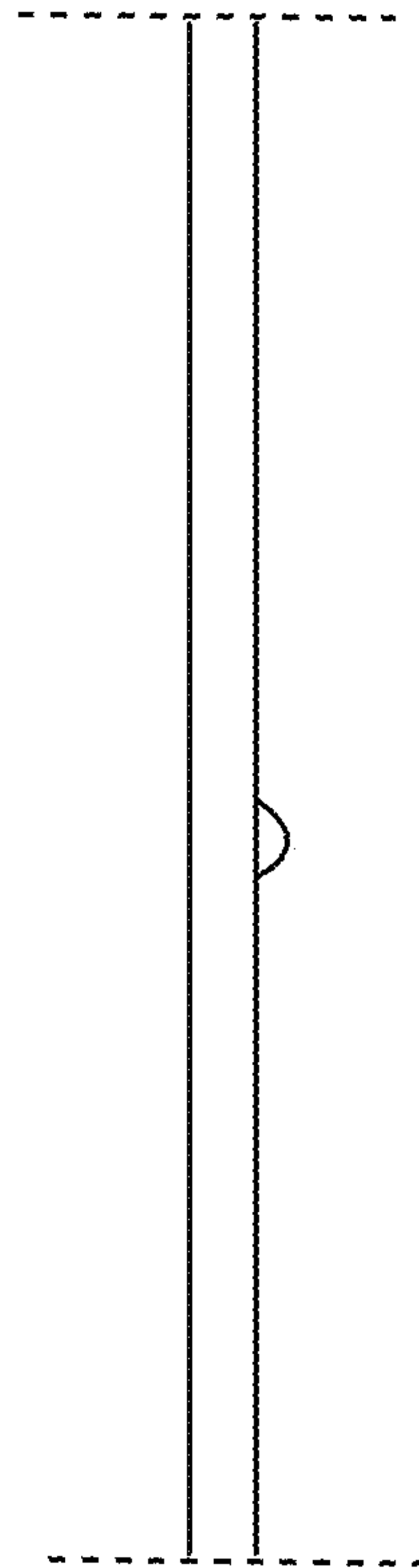


FIG. 25