

US00D752846S

(12) **United States Design Patent**
Pezzimenti

(10) **Patent No.:** **US D752,846 S**
(45) **Date of Patent:** **** Apr. 5, 2016**

(54) **GARMENT**
(71) Applicant: **NIKE, Inc.**, Beaverton, OR (US)
(72) Inventor: **Luke A. Pezzimenti**, Beaverton, OR (US)
(73) Assignee: **NIKE, Inc.**, Beaverton, OR (US)
(**) Term: **14 Years**

D414,913 S 10/1999 Katz et al.
D516,777 S 3/2006 Beck
D541,010 S 4/2007 Boucher
D618,440 S 6/2010 Parker
D620,231 S 7/2010 Parker
D622,032 S 8/2010 Lambertz
D622,033 S 8/2010 Lambertz
D622,034 S 8/2010 Lambertz
D622,035 S 8/2010 Lambertz
D626,725 S 11/2010 Snyder et al.
D631,230 S 1/2011 Ruffini

(Continued)

(21) Appl. No.: **29/476,525**

OTHER PUBLICATIONS

(22) Filed: **Dec. 13, 2013**

Nike Apparel Catalog, 2010 Fall ACG, p. 4, published 2010, NIKE, Inc., USA.

(51) **LOC (10) Cl.** **02-02**

(Continued)

(52) **U.S. Cl.**
USPC **D2/829**

(58) **Field of Classification Search**
USPC D2/724, 728, 750, 828, 829, 830, 839,
D2/840, 847, 853, 999; 2/93, 95, 97, 102,
2/108, 125, DIG. 1
CPC A41D 1/02; A41D 1/00; A41D 1/04;
A41D 1/22; A41D 27/00; A41D 27/28;
A41D 3/00; A41D 3/08; Y10S 2/01; Y10S
2/03

Primary Examiner — Wan Laymon
Assistant Examiner — Mark Booker
(74) *Attorney, Agent, or Firm* — Banner & Witcoff, Ltd.

See application file for complete search history.

(57) **CLAIM**
The ornamental design for a garment, as shown and described.

(56) **References Cited**

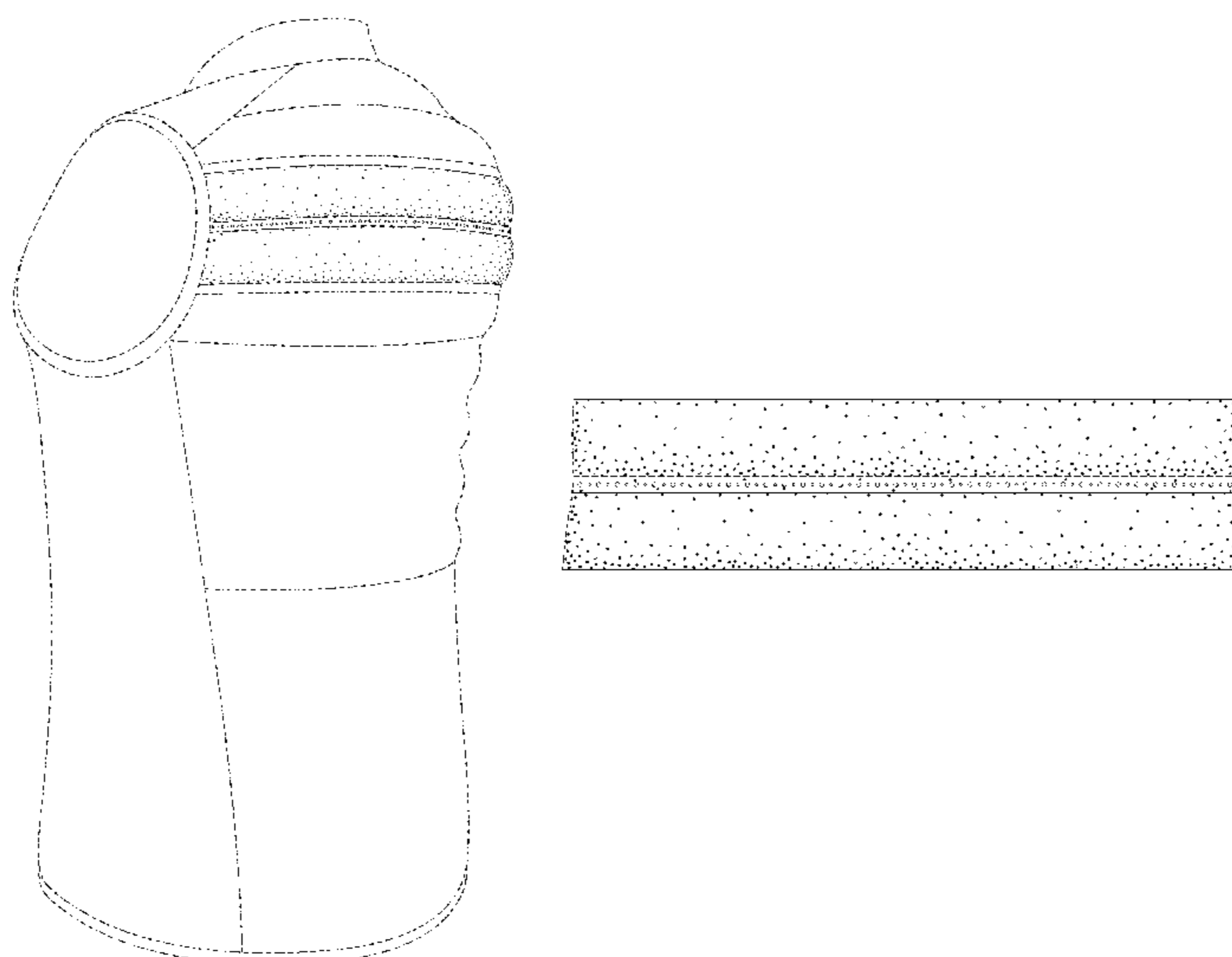
DESCRIPTION

U.S. PATENT DOCUMENTS

1,657,866	A	12/1925	Tracy	
D113,204	S	1/1939	Zucker et al.	
D115,592	S	7/1939	Shapiro et al.	
D118,524	S	1/1940	Zelinka	
2,669,721	A	2/1954	Koch	
3,398,406	A	8/1968	Du Pont	
3,883,914	A	5/1975	Blair	
3,988,780	A	11/1976	Armellino	
4,084,264	A	4/1978	Marion	
D255,056	S	5/1980	Parsons	
4,602,387	A	7/1986	Zakrzewski	
4,619,622	A	10/1986	McDonald et al.	
D298,474	S	11/1988	Twede	
5,465,424	A *	11/1995	Cudney et al.	2/462

FIG. 1 is a left perspective rear view of a garment showing my new design in an in-use configuration;
FIG. 2 is right perspective rear view thereof;
FIG. 3 is a rear view thereof;
FIG. 4 is a right side view thereof;
FIG. 5 is a left side view thereof; and,
FIG. 6 is an enlarged view of FIG. 3 showing the claimed area in isolation from the environment.
The broken lines immediately adjacent to the shaded areas represent unclaimed boundaries of the design. The broken lines showing the remainder of the garment and the unshaded regions therein are for environmental purposes only and form no part of the claimed design.

1 Claim, 6 Drawing Sheets



(56)

References Cited

U.S. PATENT DOCUMENTS

D633,690 S 3/2011 Tronvold
 D638,200 S 5/2011 Gorson
 D639,023 S 6/2011 Iamartino et al.
 D641,137 S 7/2011 Evans et al.
 D653,430 S 2/2012 Pouches
 D662,282 S 6/2012 Meunier-Bouchard
 D675,400 S * 2/2013 Mertes D2/839
 D679,072 S 4/2013 Abbevik et al.
 D685,158 S 7/2013 Lambertz
 D685,159 S 7/2013 Lambertz
 D689,262 S 9/2013 Passman
 D689,263 S 9/2013 Passman
 D693,095 S 11/2013 Grant
 D698,526 S * 2/2014 Roberts et al. D2/839
 D698,528 S 2/2014 Roberts et al.
 D703,922 S * 5/2014 Roberts et al. D2/829
 D707,423 S * 6/2014 Pezzimenti D2/829
 D707,424 S * 6/2014 Pezzimenti D2/829

D710,573 S * 8/2014 Pezzimenti D2/829
 D713,128 S * 9/2014 Pezzimenti et al. D2/828
 D713,620 S * 9/2014 Pezzimenti et al. D2/828
 D713,621 S * 9/2014 Pezzimenti et al. D2/828
 D714,022 S * 9/2014 Mong et al. D2/828
 2004/0153012 A1 8/2004 Schroeder
 2013/0276201 A1* 10/2013 Pezzimenti 2/69

OTHER PUBLICATIONS

Nike Apparel Catalog, 2010 Fall Apparel, p. 17, published 2010, NIKE, Inc., USA.
 Nike Apparel Catalog, 2010 Holiday Women's Athletic Department Classics, p. 9, published 2010, NIKE, Inc., USA.
 Nike Apparel Catalog, 2011 Fall Boys' Apparel, p. 22, published 2011, NIKE, Inc., USA.
 Nike Apparel Catalog, 2011 Fall Girls' Apparel, p. 8, published 2011, NIKE, Inc., USA.
 Nike Apparel Catalog, 2011 Fall Men's Athletic Department Classics, p. 57, published 2011, NIKE, Inc., USA.

* cited by examiner

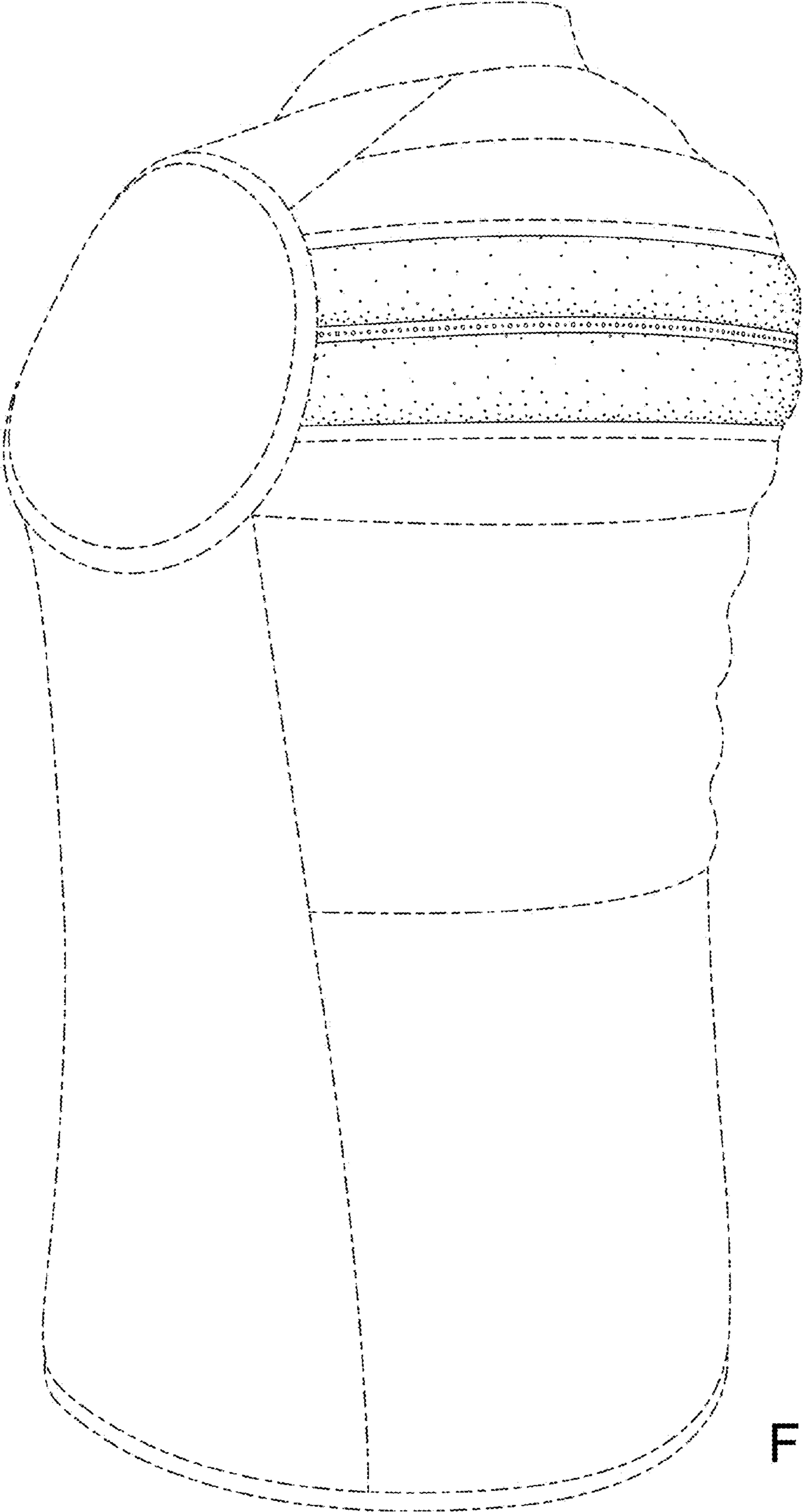


FIG. 1

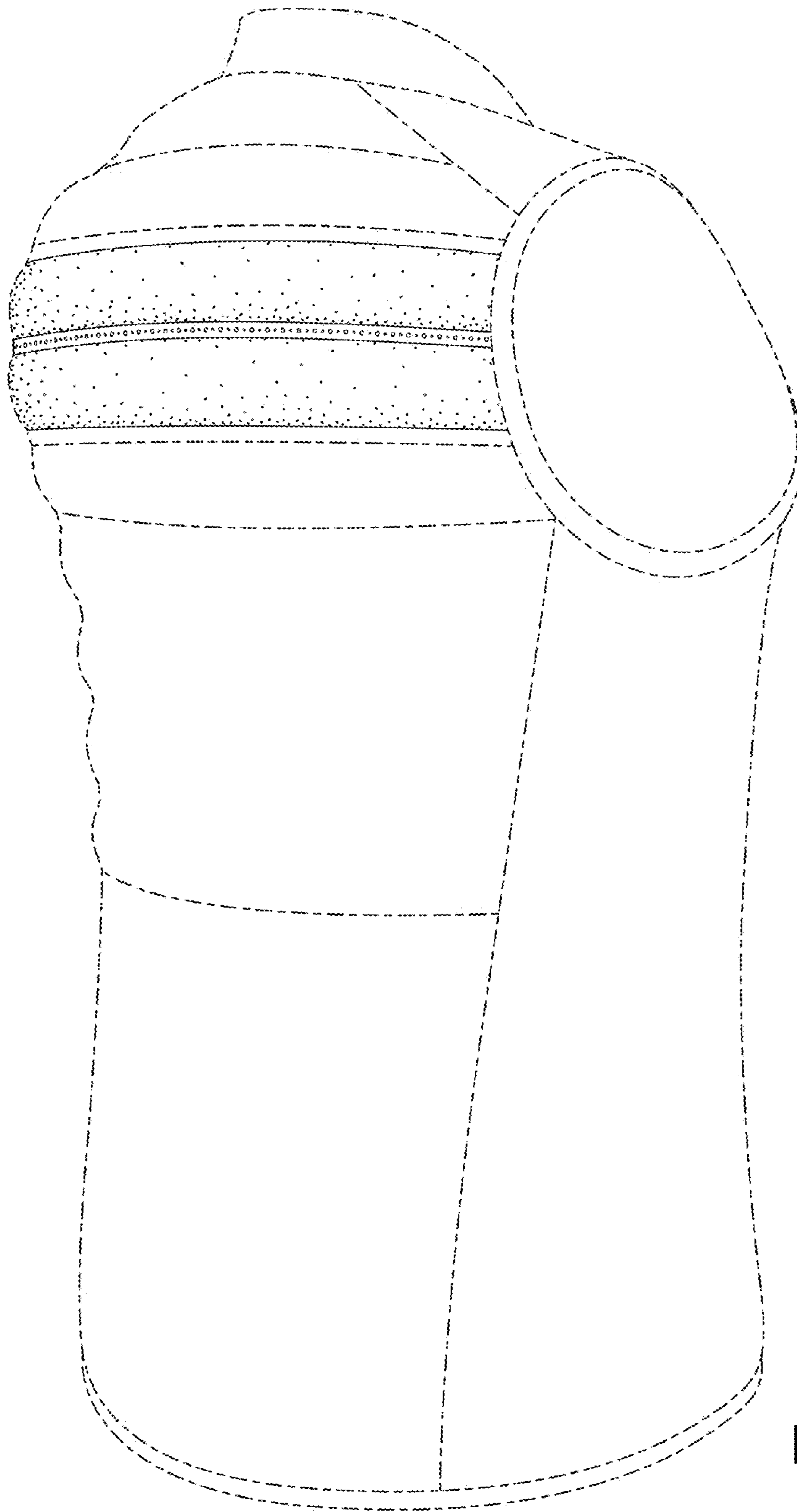


FIG. 2

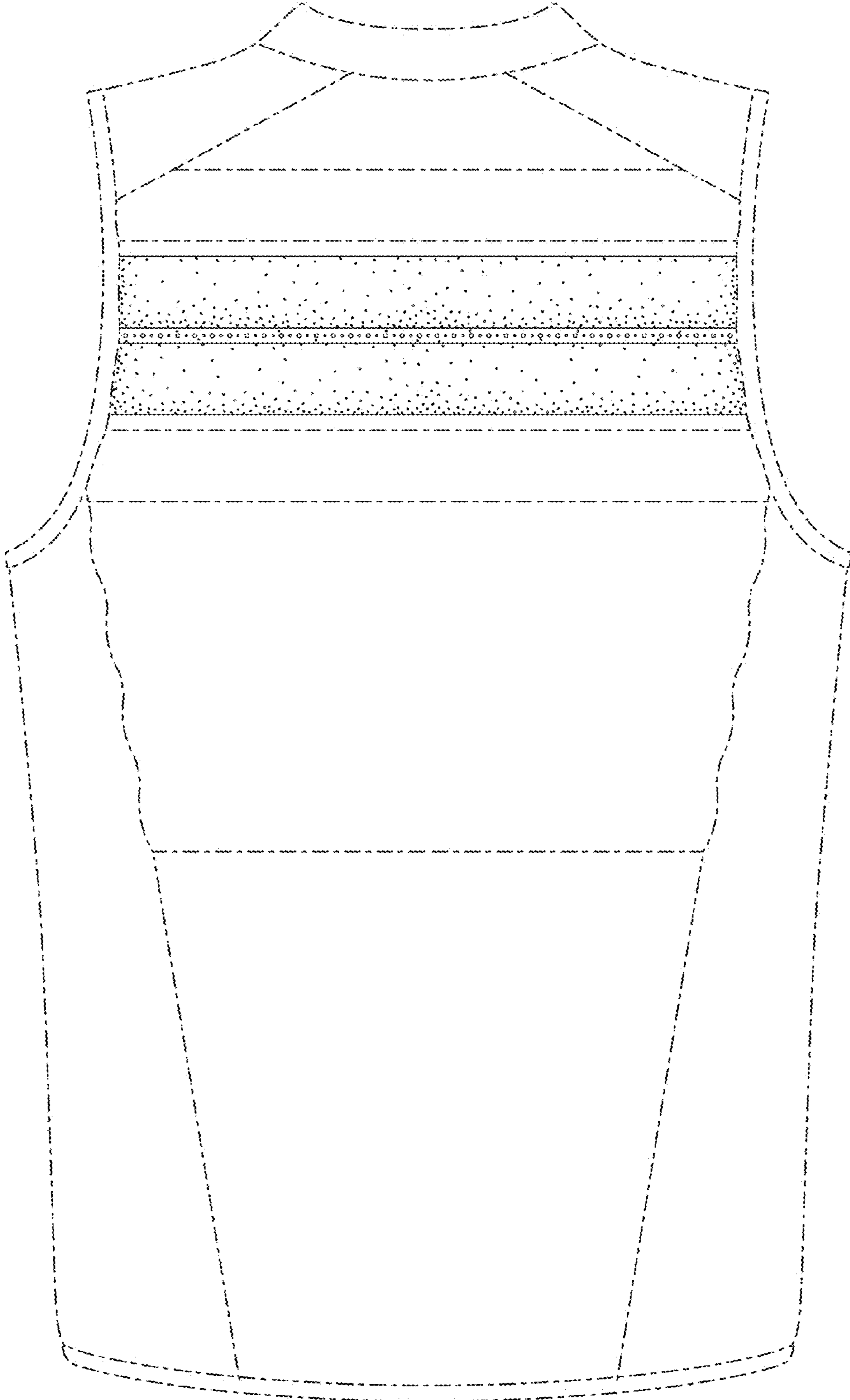


FIG. 3

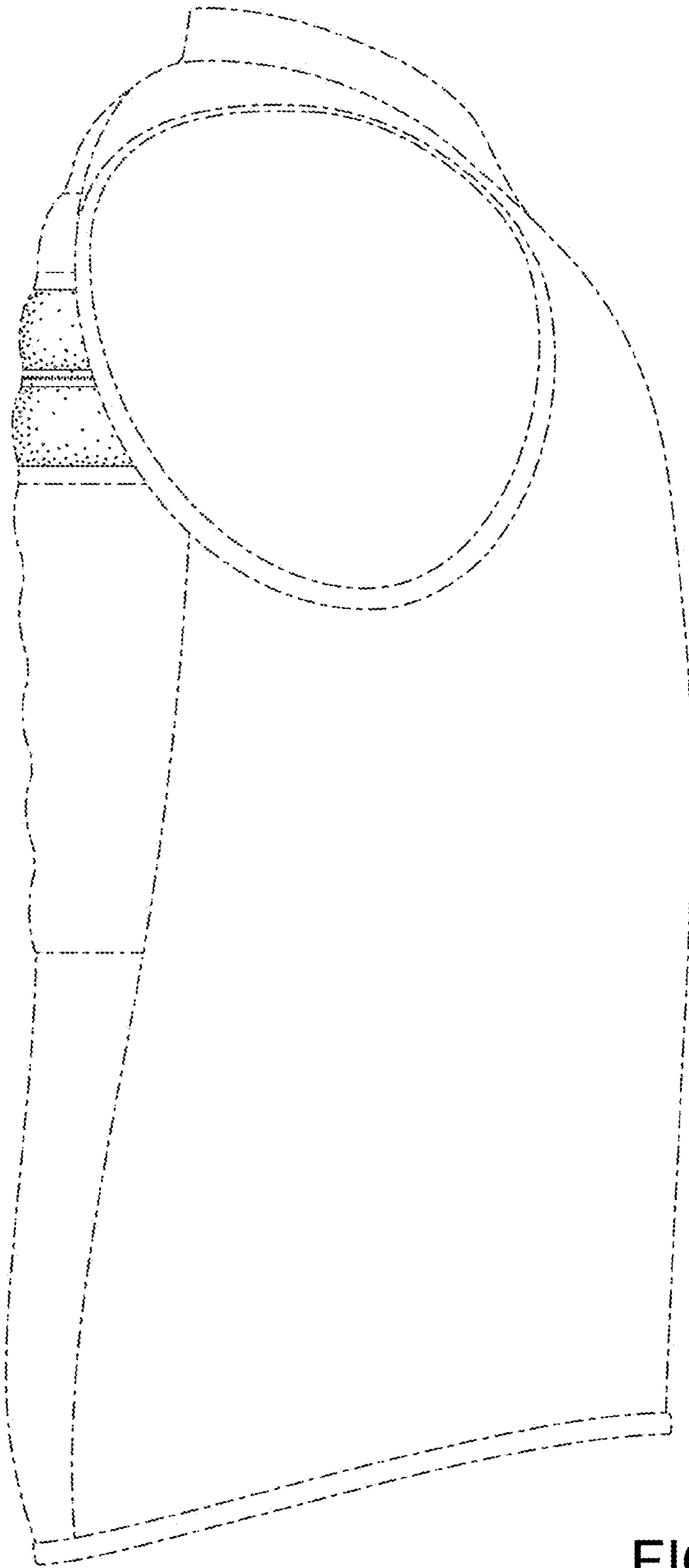


FIG. 4

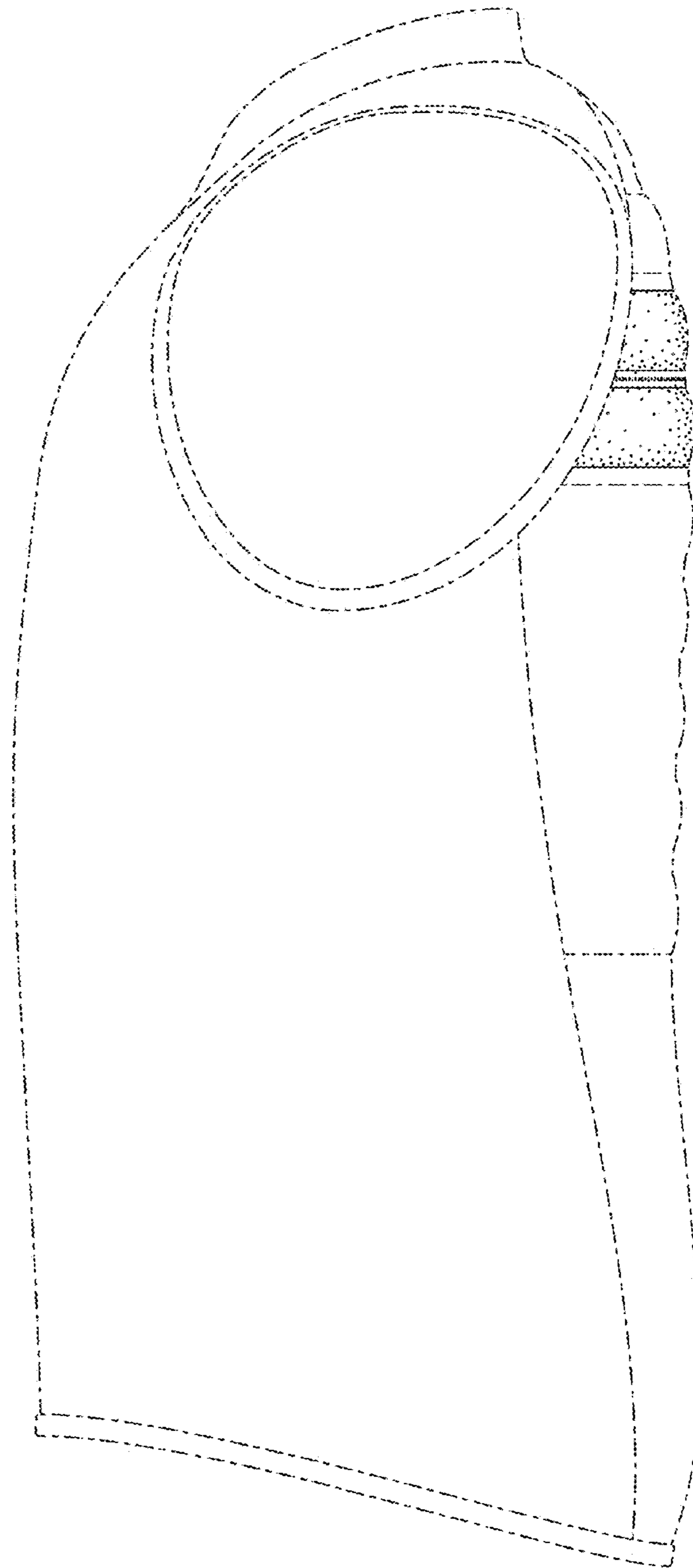


FIG. 5

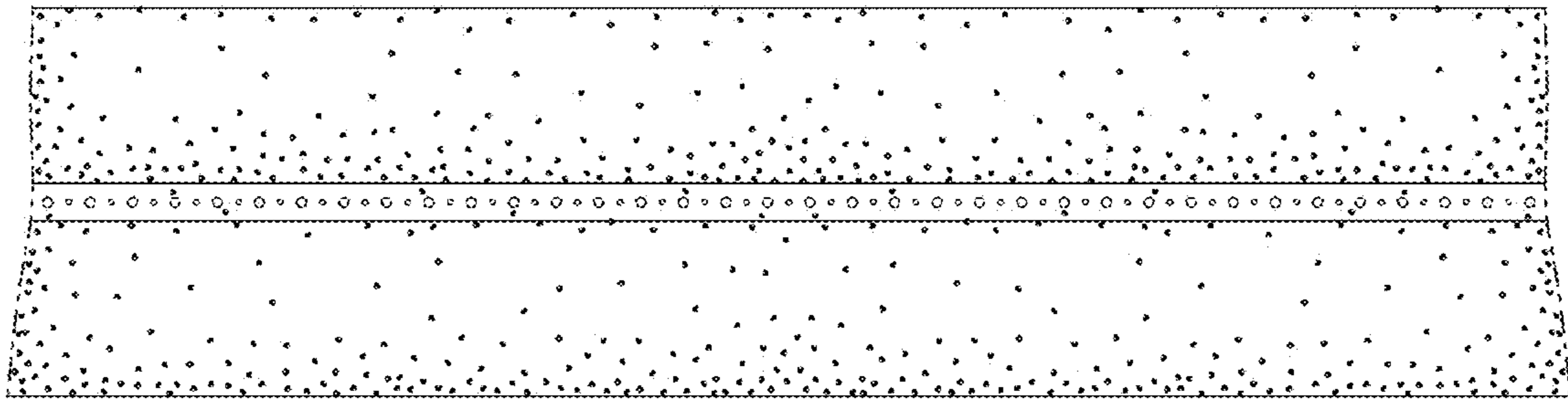


FIG. 6