



US00D752839S

(12) **United States Design Patent**
Lehman

(10) **Patent No.:** **US D752,839 S**
(45) **Date of Patent:** **** *Mar. 29, 2016**

(54) **MINI-KEG GROWLER NECK WITHOUT CAP**

(71) Applicant: **Deep Wood Brew Products, LLC,**
Rochester, MI (US)

(72) Inventor: **Kevin Lehman,** Rochester, MI (US)

(73) Assignee: **Deep Wood Brew Products, LLC,**
Rochester, MI (US)

(*) Notice: This patent is subject to a terminal disclaimer.

(**) Term: **14 Years**

(21) Appl. No.: **29/471,710**

(22) Filed: **Nov. 4, 2013**

(51) **LOC (10) Cl.** **09-02**

(52) **U.S. Cl.**

USPC **D34/39; D7/301; D7/300; D7/397**

(58) **Field of Classification Search**

USPC D7/306, 307, 313, 397, 512, 301, 300;
D9/288, 435, 439; D12/197; 222/183,
222/137, 81, 91, 85; 220/592.18, 592.19;
16/2.3; 137/15.12, 15.11, 15.13, 15.24,
137/15.19, 15.16; 251/144; D23/260, 259,
D23/261; D34/39

CPC B67D 1/00; B67D 3/0038; B67D 3/0003;
B67D 3/0054; B67D 3/02; B67D 3/04;
B65G 5/00

See application file for complete search history.

(56) **References Cited**

U.S. PATENT DOCUMENTS

296,564	A *	4/1884	Hemje	16/2.3
810,430	A *	1/1906	Pfluger	16/2.3
944,378	A *	12/1909	Pfluger	16/2.3
D45,242	S *	2/1914	Schulhoff	D9/439
1,986,061	A *	1/1935	Hill	411/301
2,035,004	A *	3/1936	Van Ness	222/81

2,224,364	A *	12/1940	Welty	222/515
2,712,886	A *	7/1955	Young	222/91
D205,750	S *	9/1966	Cornelius	D7/311
3,426,931	A *	2/1969	Jensen	215/218
D228,976	S *	10/1973	Wilson et al.	D7/311
3,869,391	A *	3/1975	Kramer	210/222
D244,850	S *	6/1977	Wilson	D7/311
4,032,047	A *	6/1977	Wilson	222/183
D246,698	S *	12/1977	Morris	D9/439
D250,468	S *	12/1978	O'Banion	D12/197
D279,267	S *	6/1985	Morris	D9/454
D286,319	S *	10/1986	Mathis	D23/261
4,664,297	A *	5/1987	Giovinazzi	222/185.1
4,690,299	A *	9/1987	Cannon	220/592.19
D305,601	S *	1/1990	Hewson	D7/368
D306,639	S *	3/1990	Wills	D23/205
4,957,266	A *	9/1990	Ellis	248/683
4,981,233	A *	1/1991	Scheurer	220/212
D320,559	S *	10/1991	Olson	D9/439
5,129,534	A *	7/1992	Dunn	220/4.33
5,165,569	A *	11/1992	Furuhashi et al.	220/592.19
D334,332	S *	3/1993	Massey	D8/107
D334,616	S *	4/1993	Nimmo	D23/249
5,203,181	A *	4/1993	Brossia et al.	62/372
D336,714	S *	6/1993	Brossia et al.	D34/39
D344,242	S *	2/1994	Weise et al.	D10/80

(Continued)

Primary Examiner — Marianne Pandozzi

Assistant Examiner — Jae Liang

(74) *Attorney, Agent, or Firm* — BrooksGroup

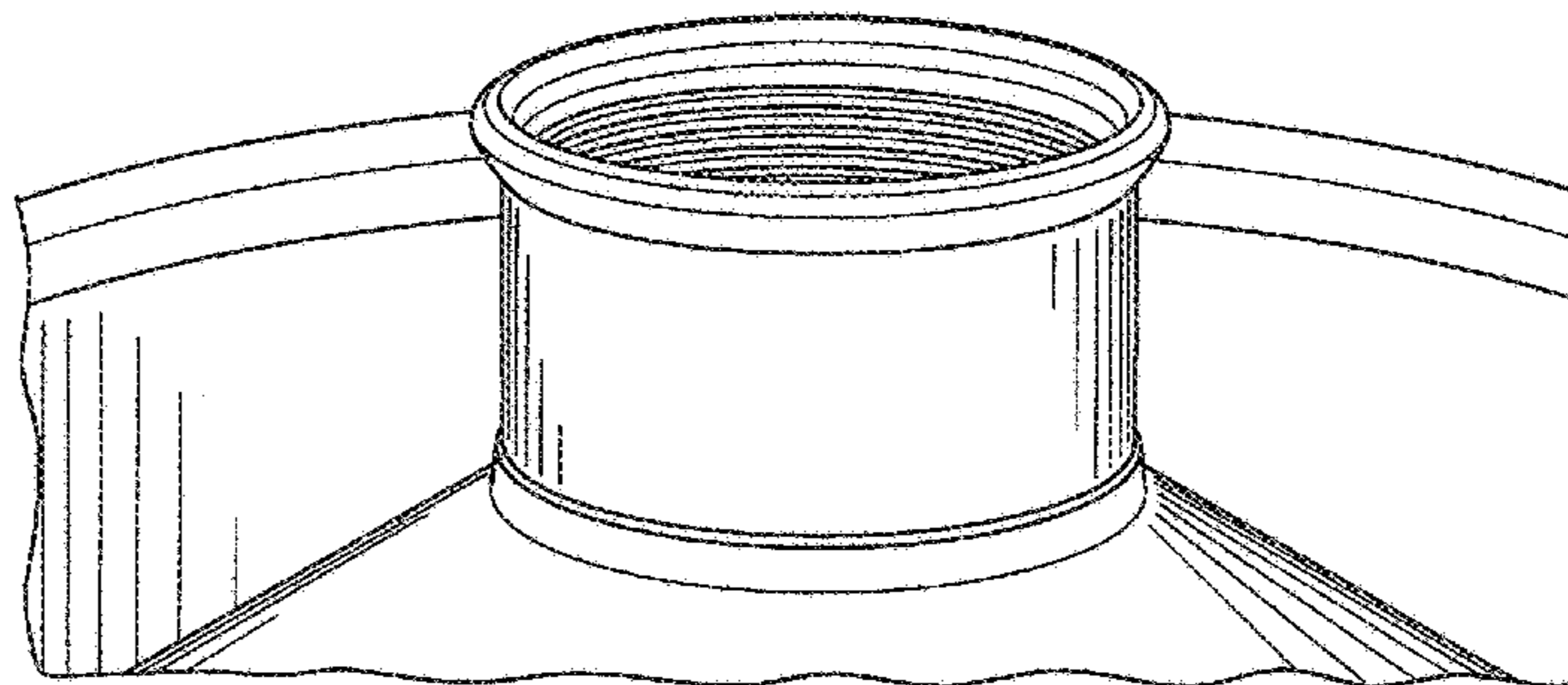
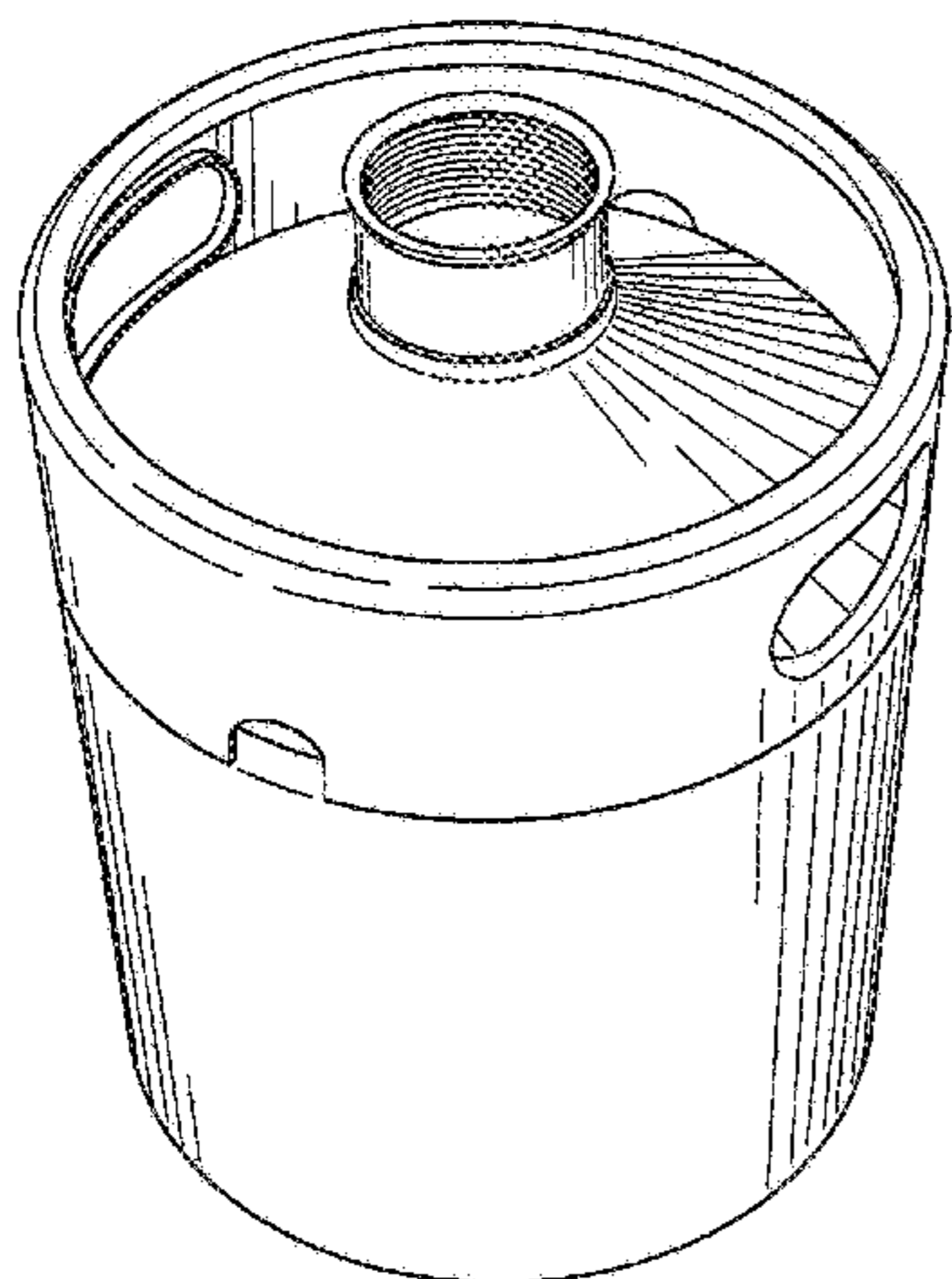
(57) **CLAIM**

The ornamental design for a mini-keg growler neck without cap, as shown and described.

DESCRIPTION

FIG. 1 is a perspective view of a mini-keg growler without a cap showing my new design;
FIG. 2 is a top view thereof; and,
FIG. 3 is an enlarged detail perspective view of the neck portion thereof with the rest of the growler removed for ease of illustration.

1 Claim, 2 Drawing Sheets



(56)

References Cited

U.S. PATENT DOCUMENTS

D362,990 S *	10/1995	Losordo	D7/305	D623,887 S *	9/2010	Kusch et al.	D7/313
D374,959 S *	10/1996	Mull	D34/39	8,176,929 B1 *	5/2012	Collins	137/15.12
5,799,339 A *	9/1998	Perry et al.	4/286	D661,544 S *	6/2012	Enghard	D7/397
D431,512 S *	10/2000	Pink	D12/197	8,196,768 B2 *	6/2012	Wheaton	220/277
D497,283 S *	10/2004	Groombridge	D7/397	D675,561 S *	2/2013	Chou	D12/607
D545,135 S *	6/2007	Bodum	D7/598	8,371,469 B2 *	2/2013	Takedutsumi et al.	...	220/495.05
D558,950 S *	1/2008	Brans	D34/39	D708,945 S *	7/2014	Jetmar	D9/439
D568,450 S *	5/2008	King et al.	D23/261	D721,281 S *	1/2015	Vella	D9/633
D574,574 S *	8/2008	Bax	D34/39	D723,370 S *	3/2015	Medlin	D9/453
D621,915 S *	8/2010	Fima	D23/261	2003/0023208 A1 *	1/2003	Osypka et al.	604/256
D623,464 S *	9/2010	Kusch et al.	D7/313	2005/0115732 A1 *	6/2005	Tu et al.	174/65 R
					2006/0153661 A1 *	7/2006	Flaig	411/378
					2013/0264350 A1 *	10/2013	Handlon et al.	220/739
					2014/0197199 A1 *	7/2014	Barron	222/83

* cited by examiner

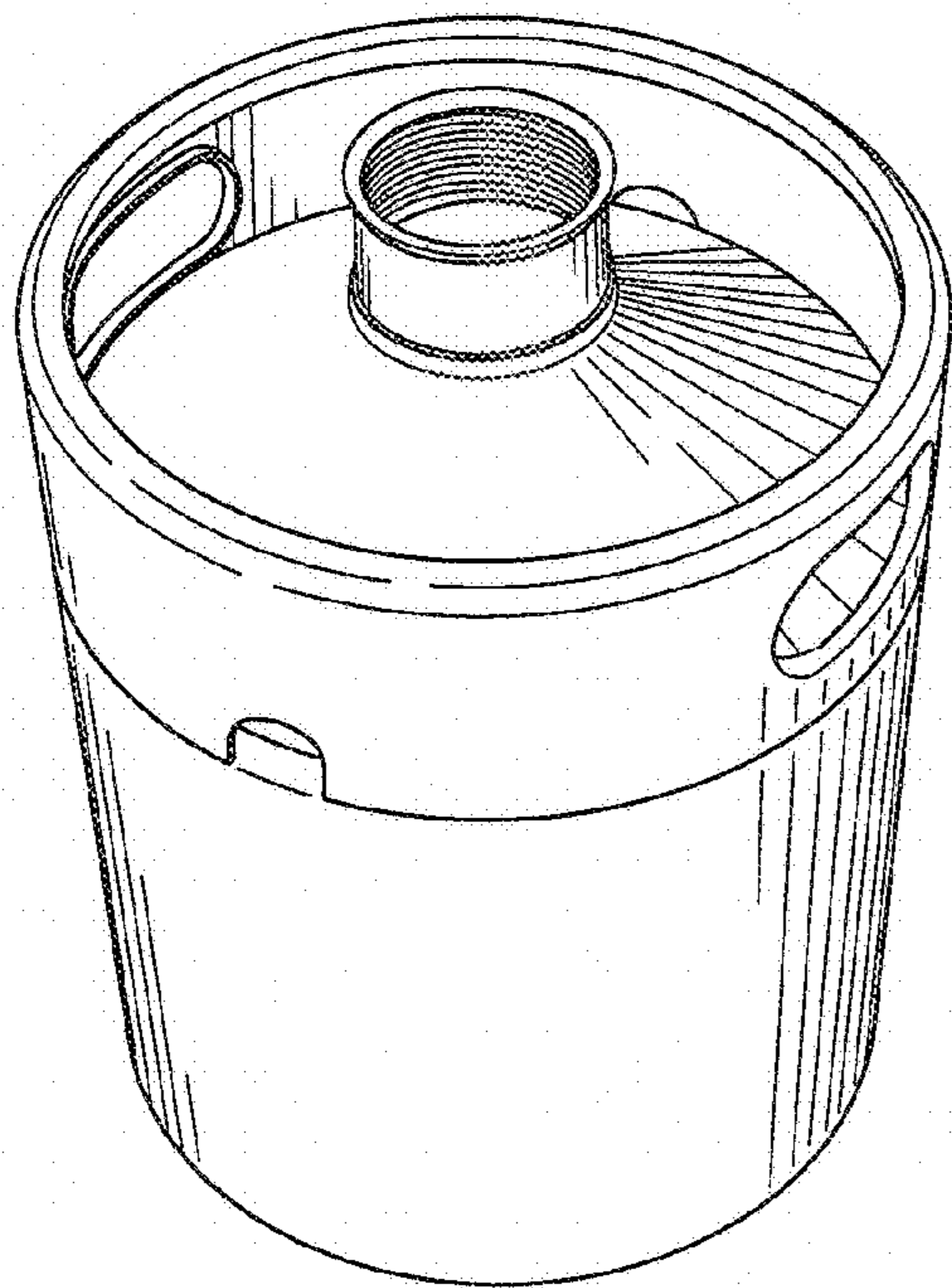


FIG. 1

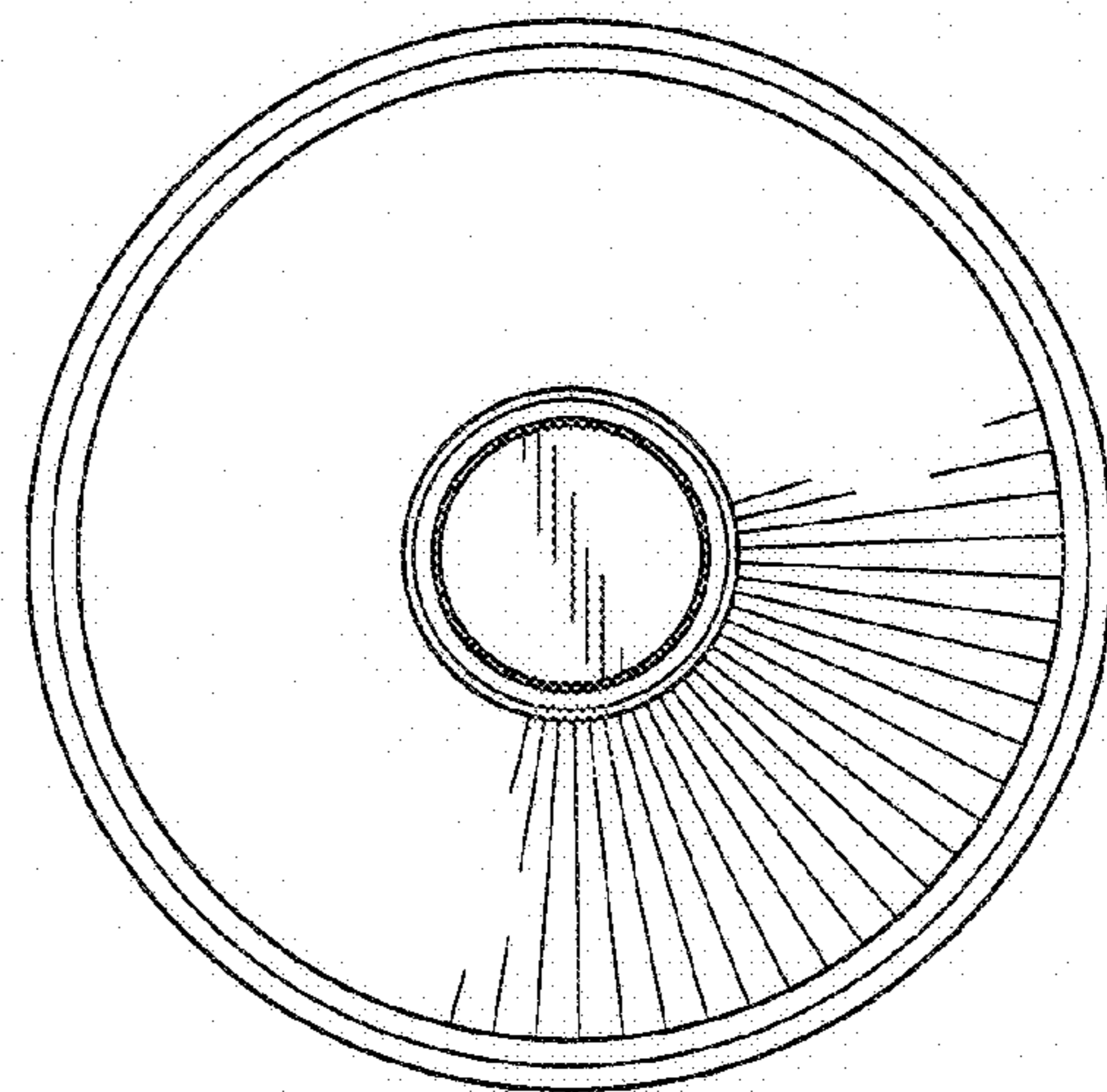


FIG. 2

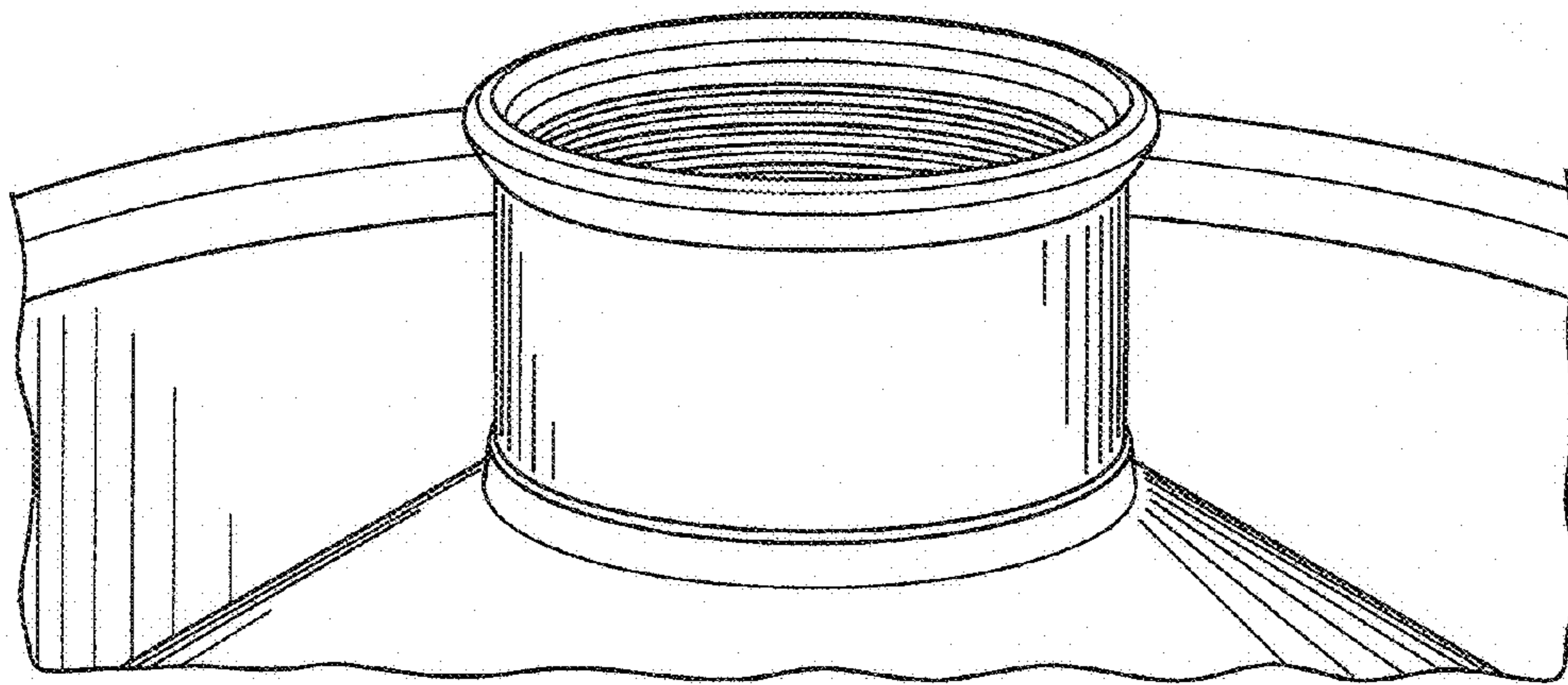


FIG. 3