



US00D752838S

(12) **United States Design Patent**
Ziaylek et al.

(10) **Patent No.:** **US D752,838 S**
(45) **Date of Patent:** **** Mar. 29, 2016**

- (54) **TANK HANDLING APPARATUS FOR USE LIFTING, SUPPORTING AND MANIPULATING CYLINDRICAL TANKS**
- (71) Applicant: **Michael P. Ziaylek**, Yardley, PA (US)
- (72) Inventors: **Michael P. Ziaylek**, Yardley, PA (US);
W. Brian McGinty, Huntingdon Valley, PA (US)
- (73) Assignee: **Michael P. Ziaylek**, Yardley, PA (US)
- (**) Term: **14 Years**
- (21) Appl. No.: **29/474,395**
- (22) Filed: **Sep. 5, 2014**
- (51) **LOC (10) Cl.** **12-05**
- (52) **U.S. Cl.**
USPC **D34/28**
- (58) **Field of Classification Search**
USPC D34/28-38; 280/86.75; 5/85.1, 86.1,
5/87.1, 81.1 R, 901, 83.1, 89.1; 254/8 B,
254/124, 4 B, 17, 2 R, 4 R, 89 H, 134, 86.1;
414/421, 47.15, 19, 331.06, 420, 444,
414/622, 667, 785, 462
CPC B65G 65/23; B65G 7/10
See application file for complete search history.

4,536,123 A	8/1985	Snyder	
4,556,358 A	12/1985	Harlan	
4,615,656 A	10/1986	Geraghty, Jr.	
4,738,582 A	4/1988	Roberts	
4,797,050 A	1/1989	Habicht	
D306,368 S *	2/1990	Daugherty D34/28
5,207,550 A	5/1993	Lehman	
5,340,136 A	8/1994	MacNeil et al.	
5,344,278 A	9/1994	Emig, Jr.	
5,393,190 A	2/1995	Vickary	
5,651,149 A	7/1997	Garman	
5,658,118 A	8/1997	Luca	
6,086,312 A	7/2000	Ziaylek et al.	
6,286,695 B1 *	9/2001	Tetreault B66C 23/48 212/203
6,318,568 B1	11/2001	McCord	
6,406,248 B1	6/2002	McGill et al.	
6,637,999 B2	10/2003	Grossele	
7,394,387 B2	7/2008	Noonchester	
7,789,611 B2	9/2010	Wilson	

(Continued)

Primary Examiner — Cynthia Ramirez
Assistant Examiner — Gino Colan
(74) *Attorney, Agent, or Firm* — Fox Rothschild LLP

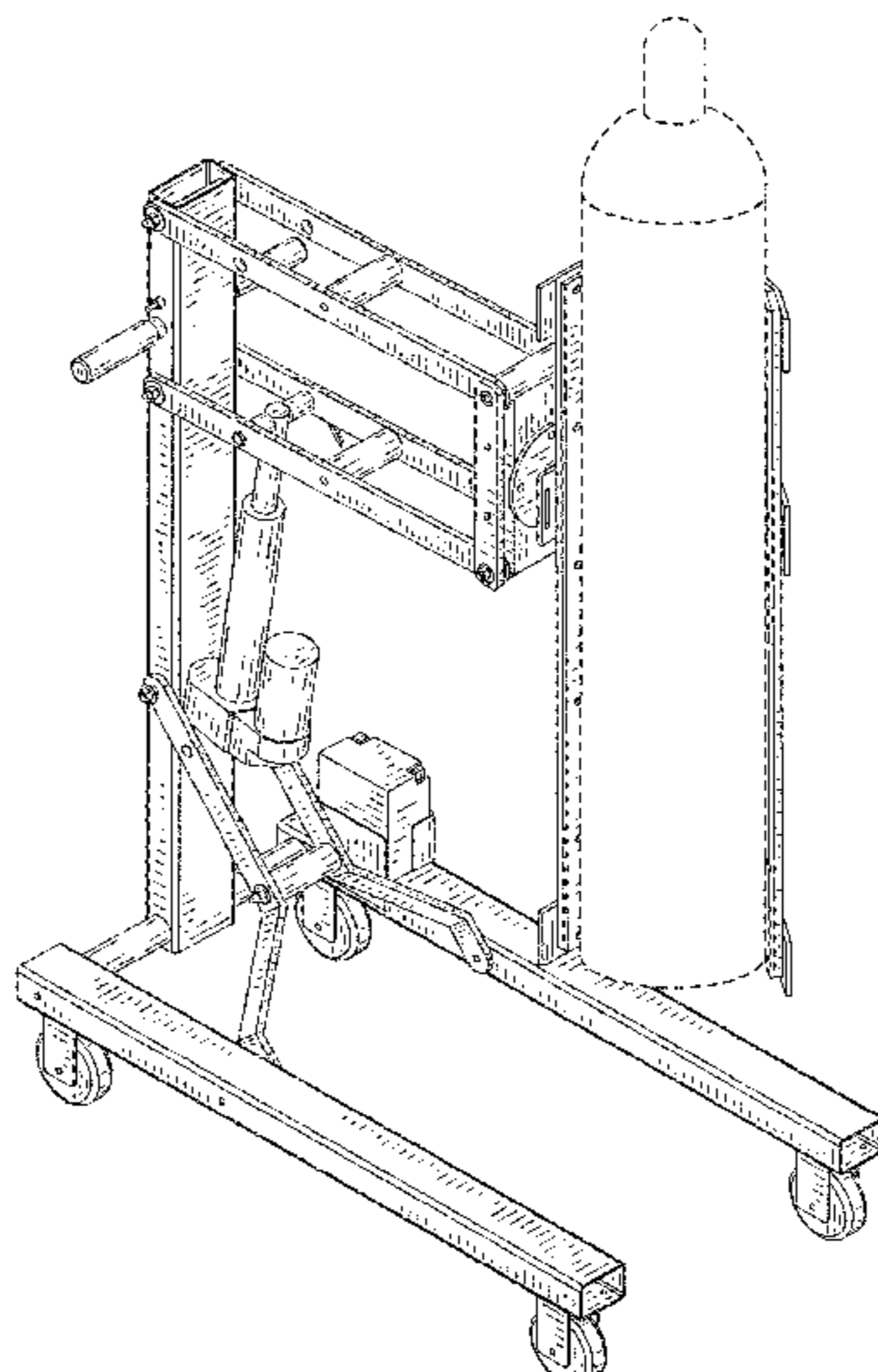
(57) **CLAIM**
The ornamental design for a tank handling apparatus for use lifting, supporting and manipulating cylindrical tanks, as shown and described.

DESCRIPTION

FIG. 1 is a front three-quarter perspective view embodying our new design for a tank handling apparatus for use lifting, supporting and manipulating cylindrical tanks;
FIG. 2 is a front plan view thereof;
FIG. 3 is a rear plan view thereof;
FIG. 4 is a left elevational view thereof;
FIG. 5 is a right elevational view thereof;
FIG. 6 is a top plan view thereof; and,
FIG. 7 is a bottom plan view thereof.
The broken lines shown in the drawings depict environmental structure only and form no part of the claimed design.

1 Claim, 7 Drawing Sheets

- (56) **References Cited**
U.S. PATENT DOCUMENTS
- 1,896,249 A 2/1933 Russell
- 2,404,513 A 7/1946 McCabe
- 2,624,483 A 1/1953 Ketzell
- 2,738,086 A 3/1956 Reich
- 3,235,212 A 2/1966 Baumiller, Jr.
- 3,471,046 A 10/1969 Hess
- 3,587,892 A 6/1971 Vermette
- 3,602,368 A 8/1971 Gould
- 4,021,070 A 5/1977 Shea
- 4,395,188 A 7/1983 Kaup
- 4,511,171 A 4/1985 Peterson



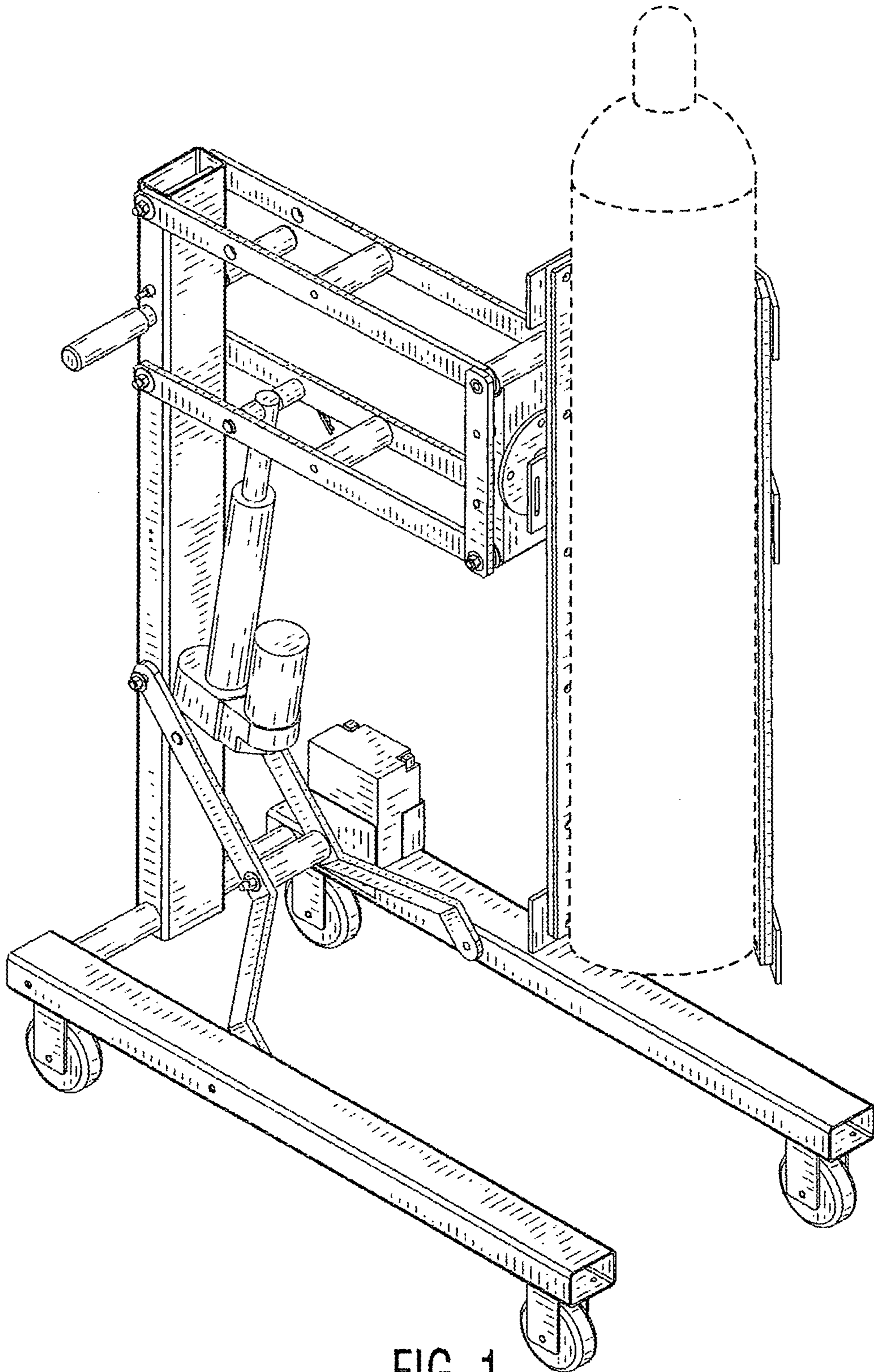


FIG. 1

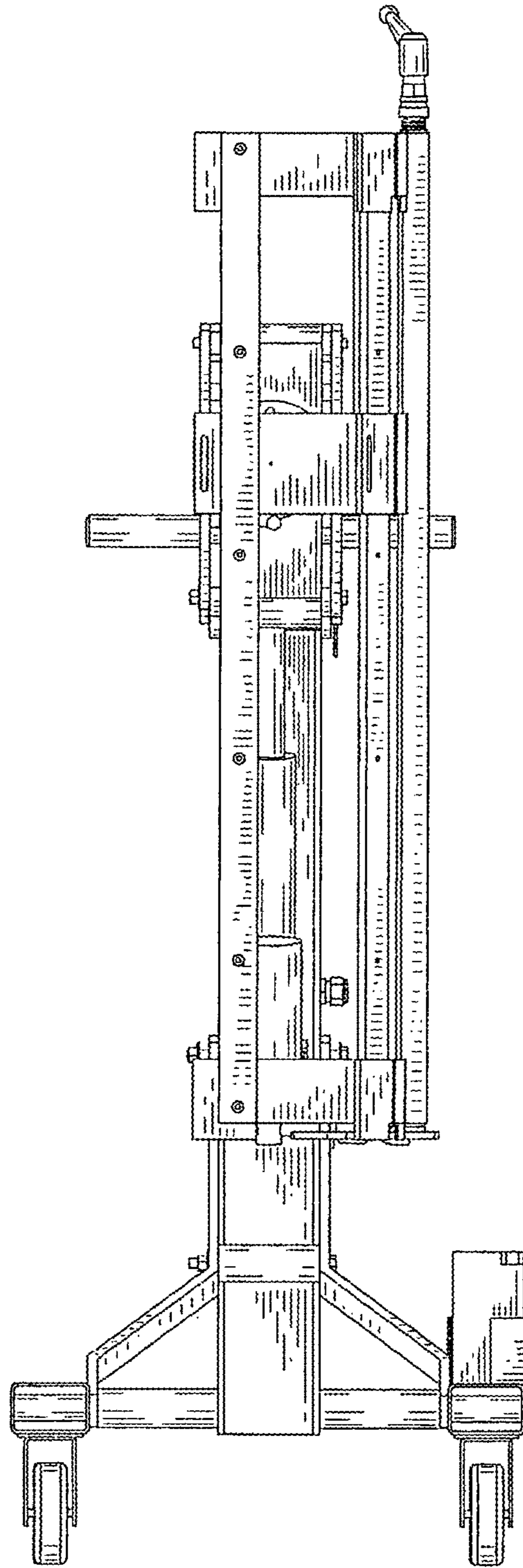


FIG. 2

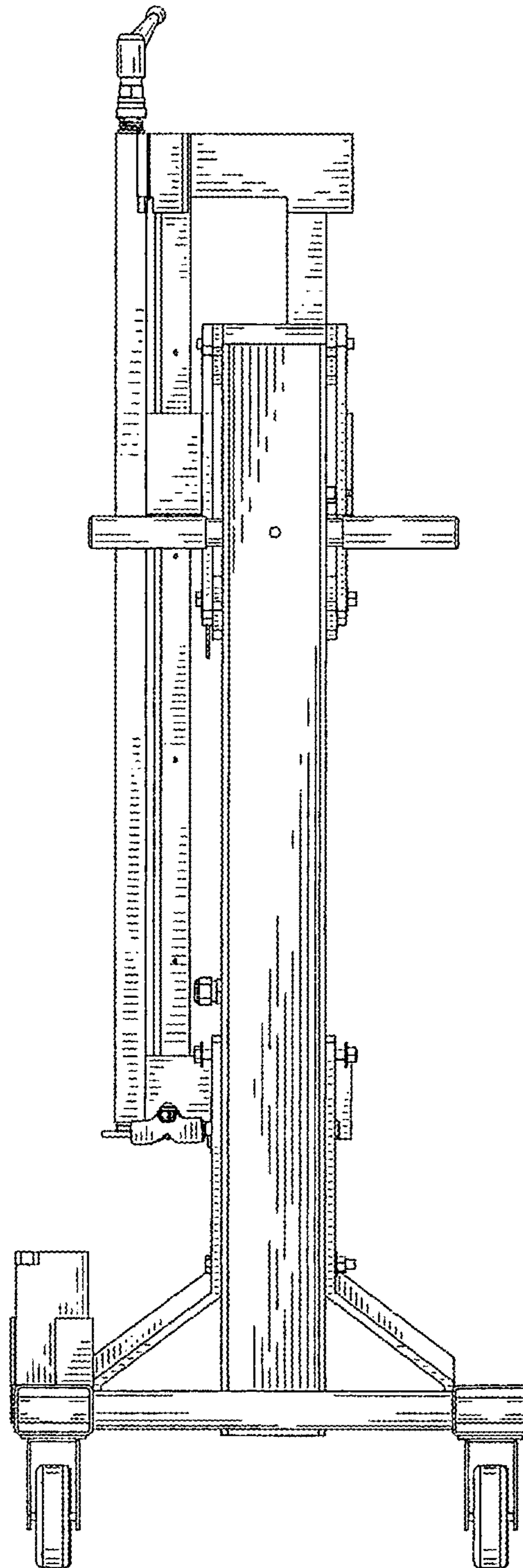


FIG. 3

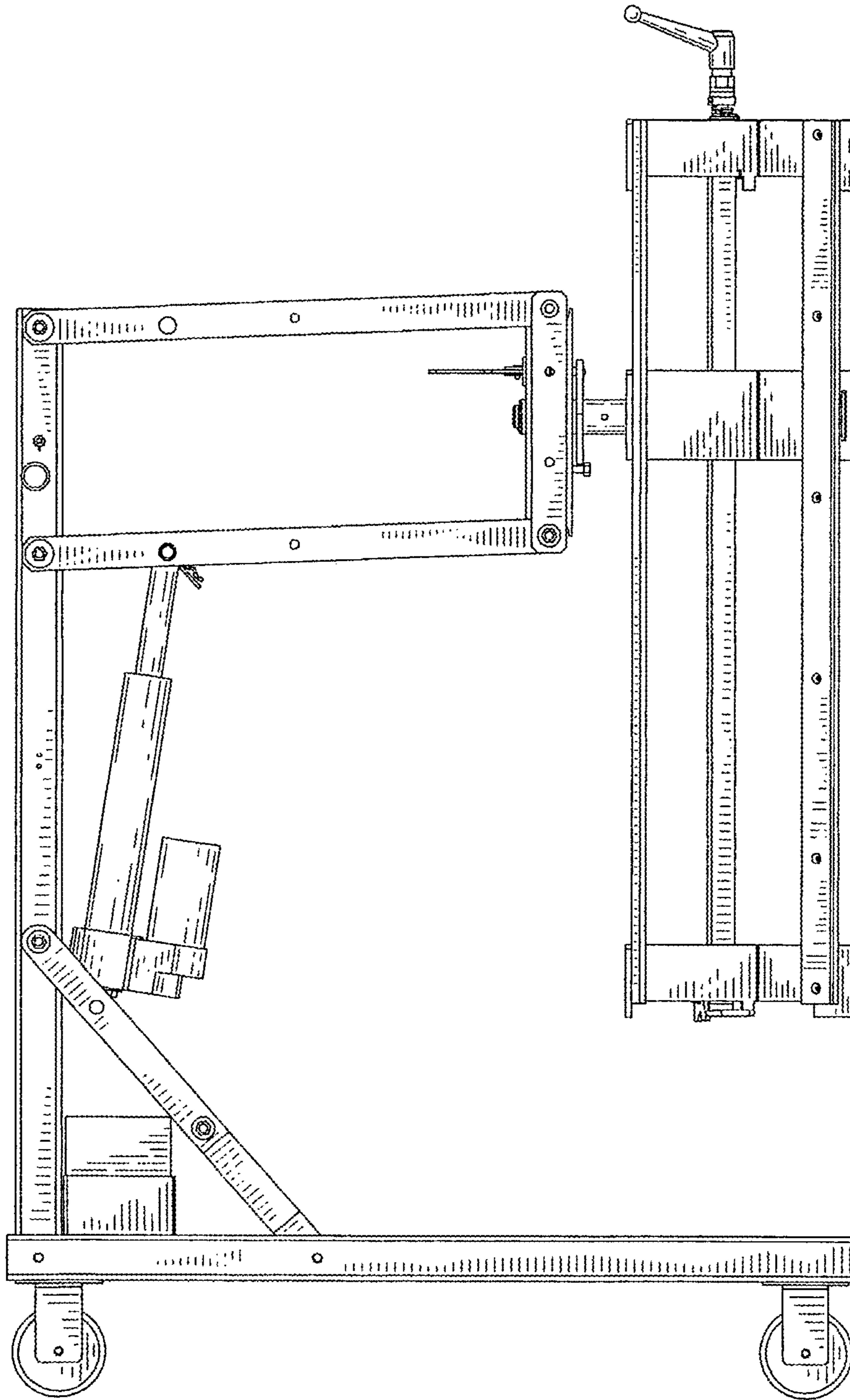


FIG. 4

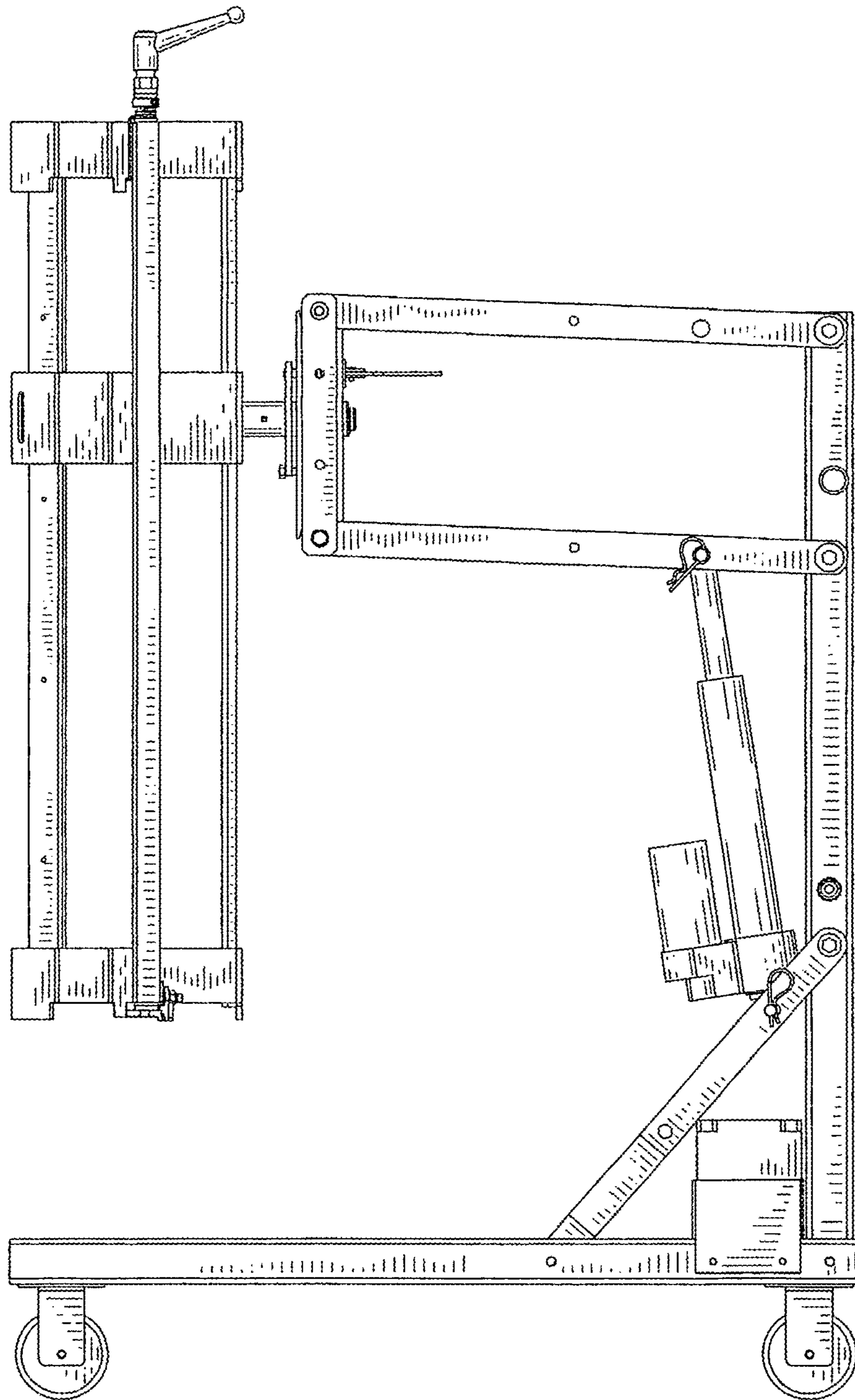


FIG. 5

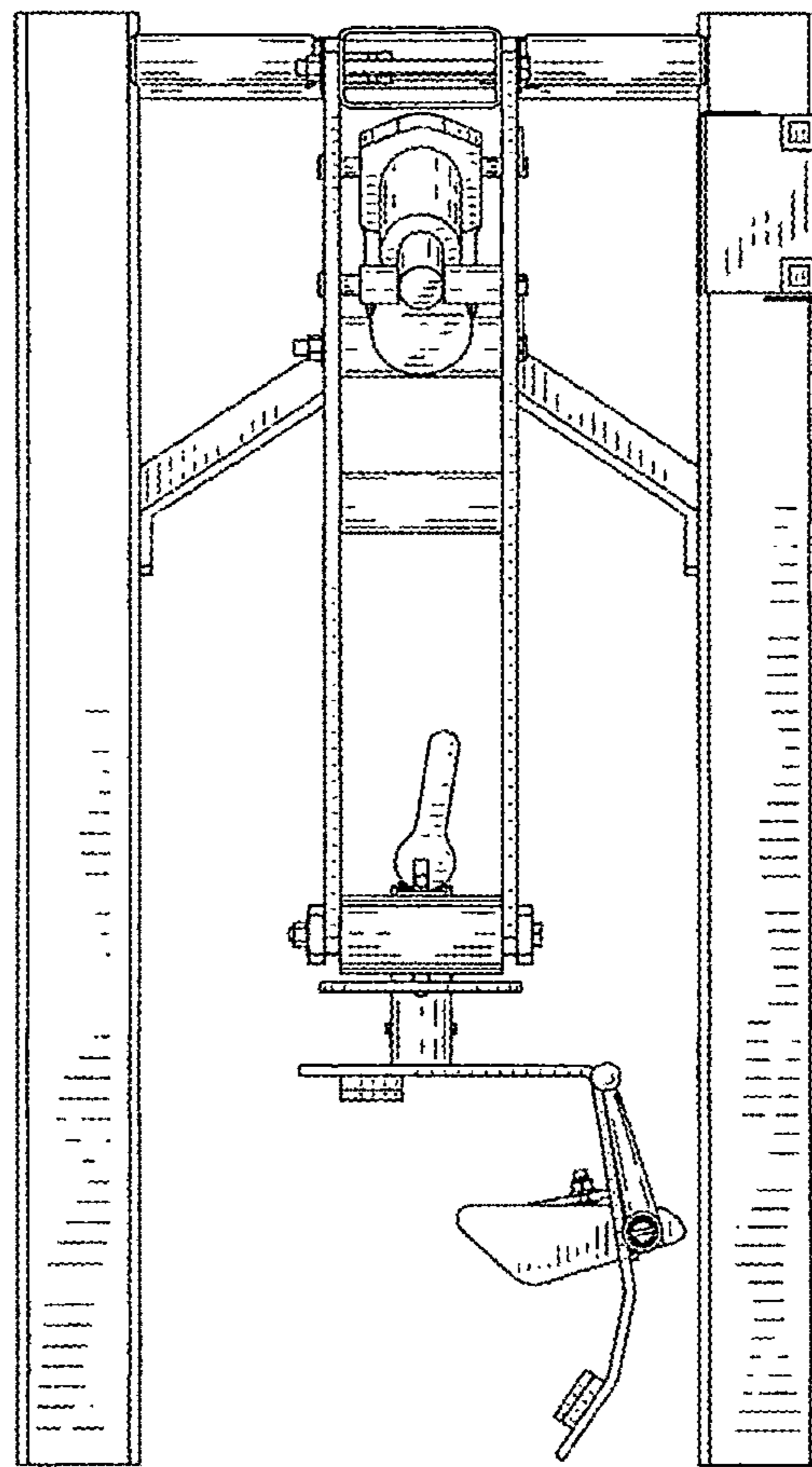


FIG. 6

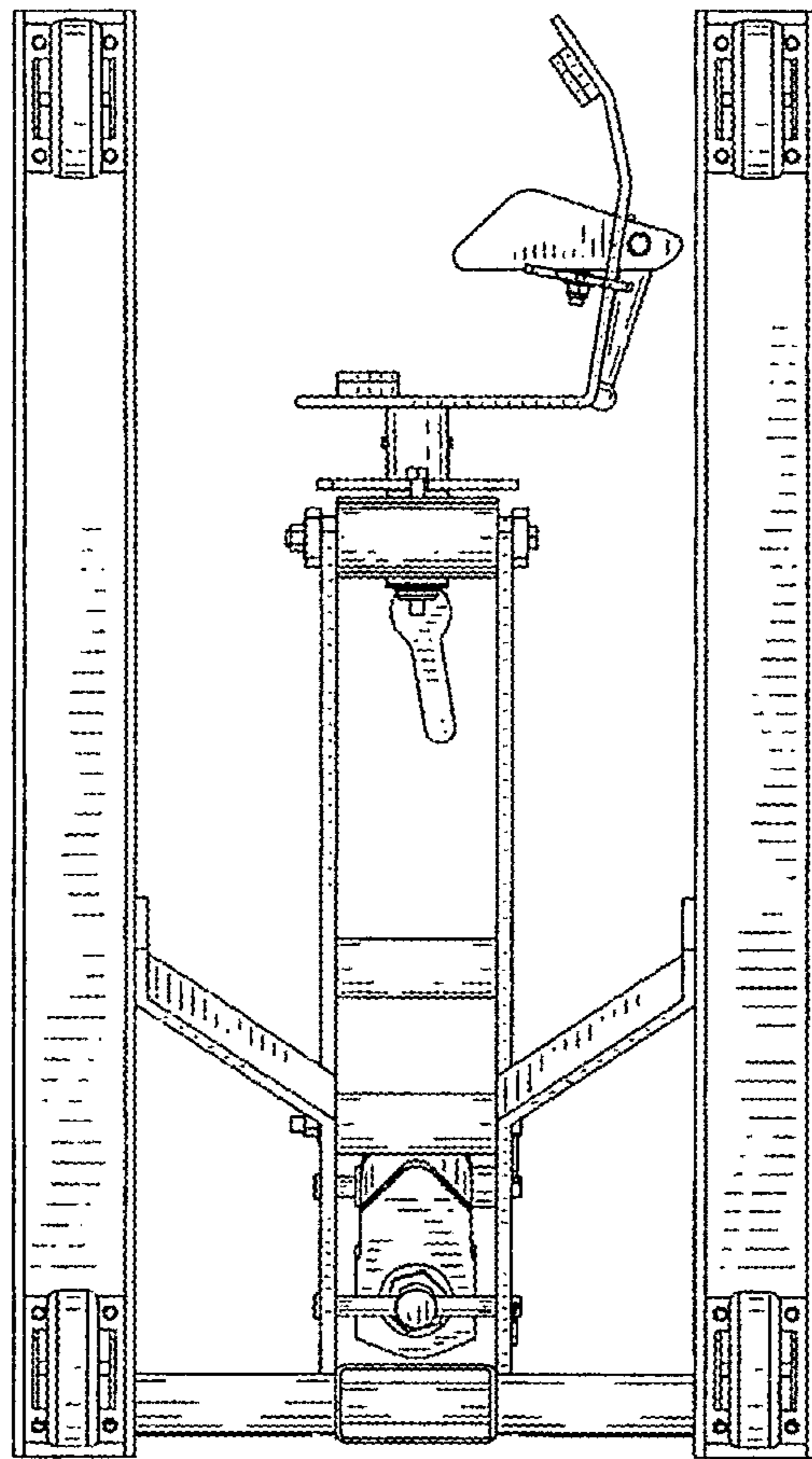


FIG. 7