



US00D752837S

(12) **United States Design Patent**  
**Wyse et al.**

(10) **Patent No.:** **US D752,837 S**  
(45) **Date of Patent:** **\*\* Mar. 29, 2016**

(54) **POWERED WHEELBARROW WITH  
ARTICULATING CHASSIS**

(71) Applicant: **Granite Industries, Inc.**, Archbold, OH  
(US)

(72) Inventors: **Steven J. Wyse**, Archbold, OH (US);  
**Brent A. Johnston**, West Unity, OH  
(US)

(73) Assignee: **Granite Industries, Inc.**, Archbold, OH  
(US)

(\*\*) Term: **14 Years**

(21) Appl. No.: **29/510,189**

(22) Filed: **Nov. 25, 2014**

(51) **LOC (10) Cl.** ..... **12-02**

(52) **U.S. Cl.**  
USPC ..... **D34/16**

(58) **Field of Classification Search**  
USPC ..... D34/12-27; 280/651, 47.34, 47.24,  
280/47.26, 47.17, 654, 79.3, 653, 659,  
280/47.31, 415.1, 515, 47.131, 47.15,  
280/47.12, 47.33, 47.315, 31, 26, 16, 47.23,  
280/17, 41, 47.32, 18, 47.27, 28, 47.2, 652,  
280/62; 298/2, 1 C, 17.5; 180/19.1, 212,  
180/54.2, 65.6, 65.1, 208, 19.3, 214, 907,  
180/908, 216  
CPC ..... B62B 1/12; B62B 2203/70; B62B 3/02;  
B62B 5/0438; B62B 5/0026; B62B 1/18;  
B62B 1/24; B62B 5/0033  
See application file for complete search history.

(56) **References Cited**

**U.S. PATENT DOCUMENTS**

4,589,508 A \* 5/1986 Hoover ..... B62B 1/24  
180/13  
6,129,166 A \* 10/2000 Sueshige ..... B62B 5/0026  
180/65.6  
D527,157 S \* 8/2006 Boon ..... D34/16

D535,451 S \* 1/2007 Lim ..... D34/16  
7,210,545 B1 \* 5/2007 Waid ..... B60K 7/0007  
180/19.1  
7,775,306 B1 \* 8/2010 Adkins ..... B62B 1/18  
180/19.3  
8,444,166 B1 \* 5/2013 Jarvis ..... B62B 3/00  
280/415.1  
8,985,619 B2 \* 3/2015 Celli ..... B62B 1/002  
280/47.31

\* cited by examiner

*Primary Examiner* — Cynthia Ramirez

*Assistant Examiner* — Gino Colan

(74) *Attorney, Agent, or Firm* — Hovey Williams LLP

(57) **CLAIM**

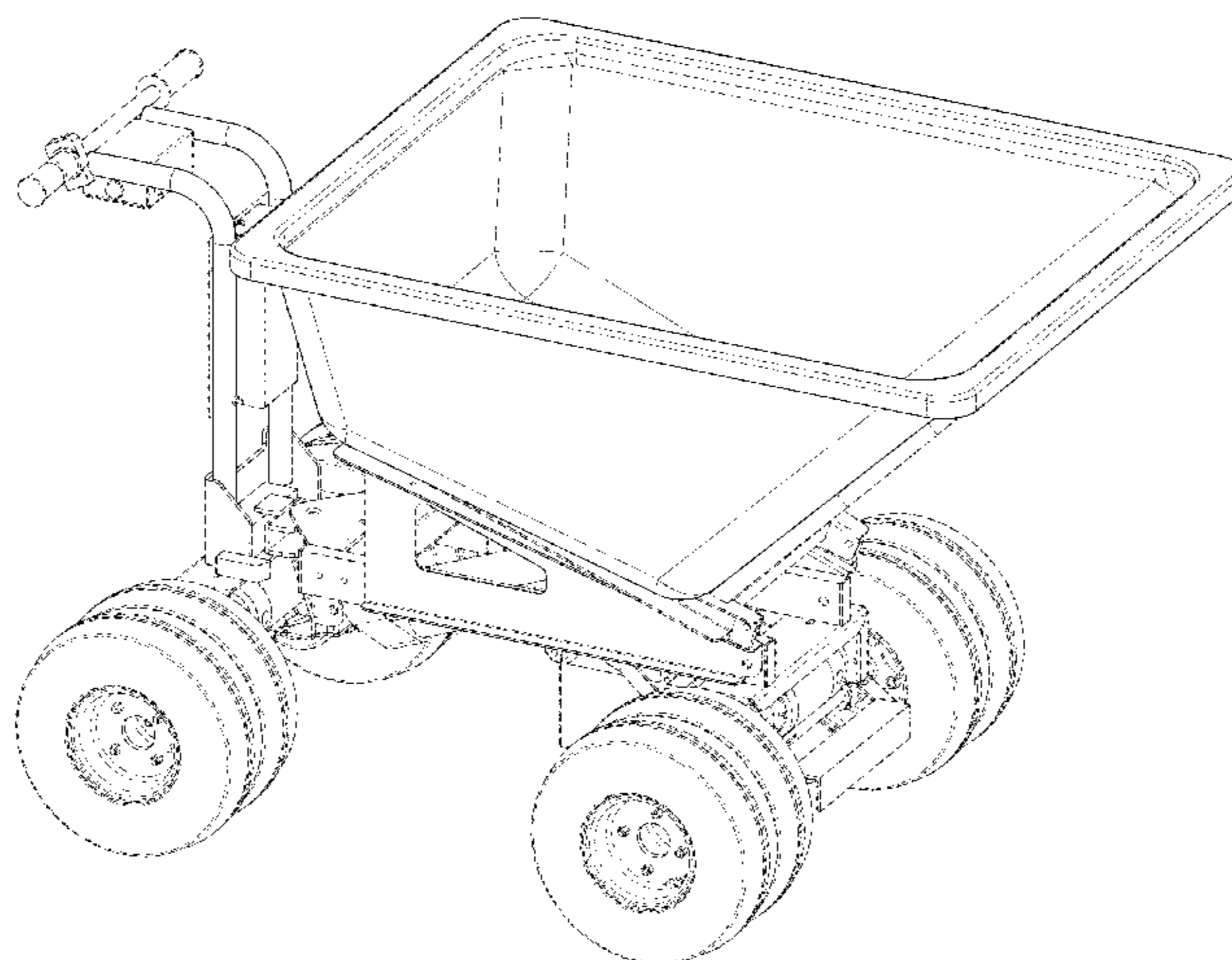
The ornamental design for a powered wheelbarrow with articulating chassis, as shown and described.

**DESCRIPTION**

FIG. 1 is a front perspective view of a powered wheelbarrow with articulating chassis showing our new design;  
FIG. 2 is a rear perspective view of the powered wheelbarrow with articulating chassis thereof;  
FIG. 3 is a front elevational view of the powered wheelbarrow with articulating chassis thereof;  
FIG. 4 is a right elevational view of the powered wheelbarrow with articulating chassis thereof;  
FIG. 5 is a rear elevational view of the powered wheelbarrow with articulating chassis thereof;  
FIG. 6 is a left elevational view of the powered wheelbarrow with articulating chassis thereof; and,  
FIG. 7 is a top elevational view of the powered wheelbarrow with articulating chassis thereof.

The broken lines showing in the figures are for the purpose of illustrating environment and form no part of the claimed design.

**1 Claim, 7 Drawing Sheets**



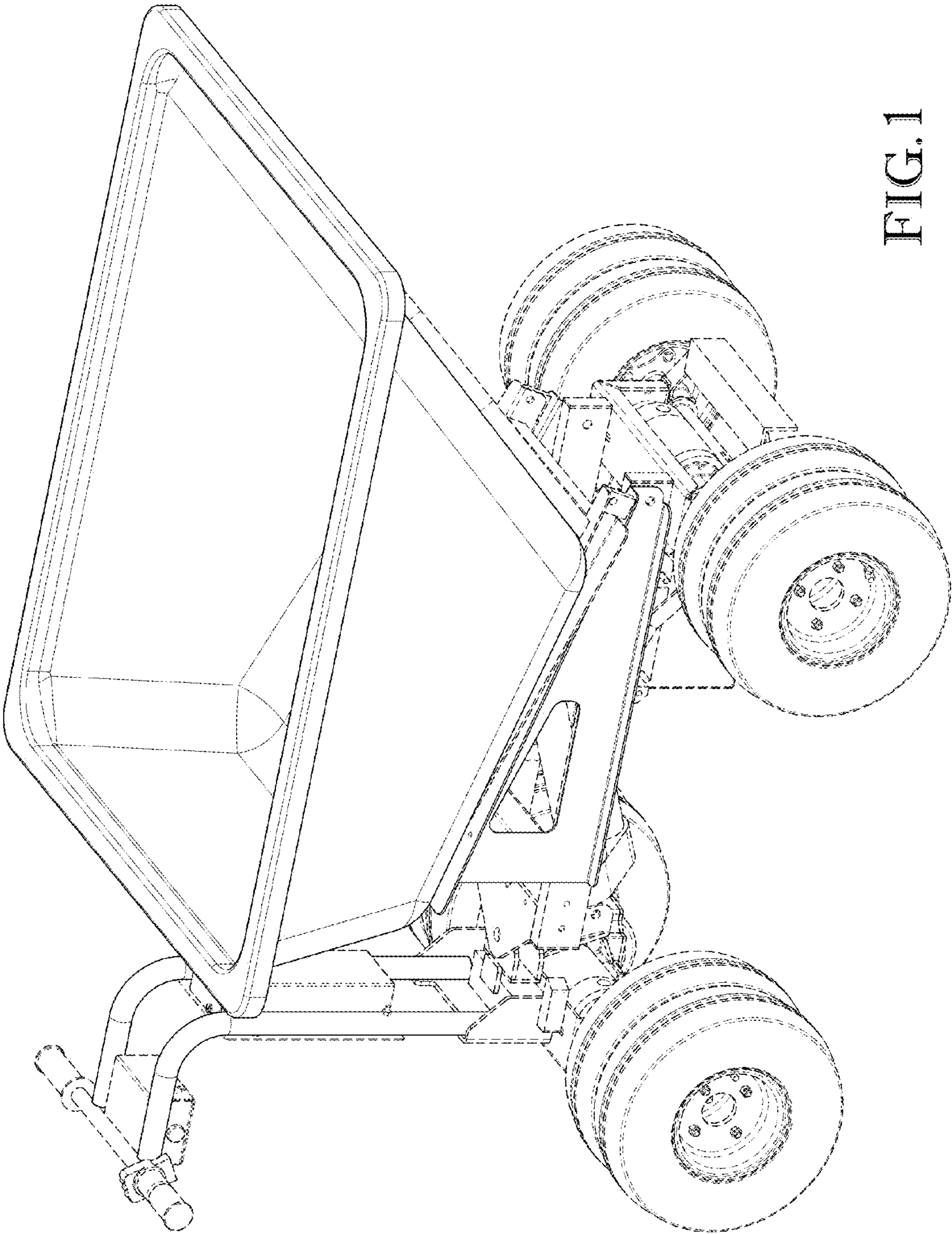


FIG. 1

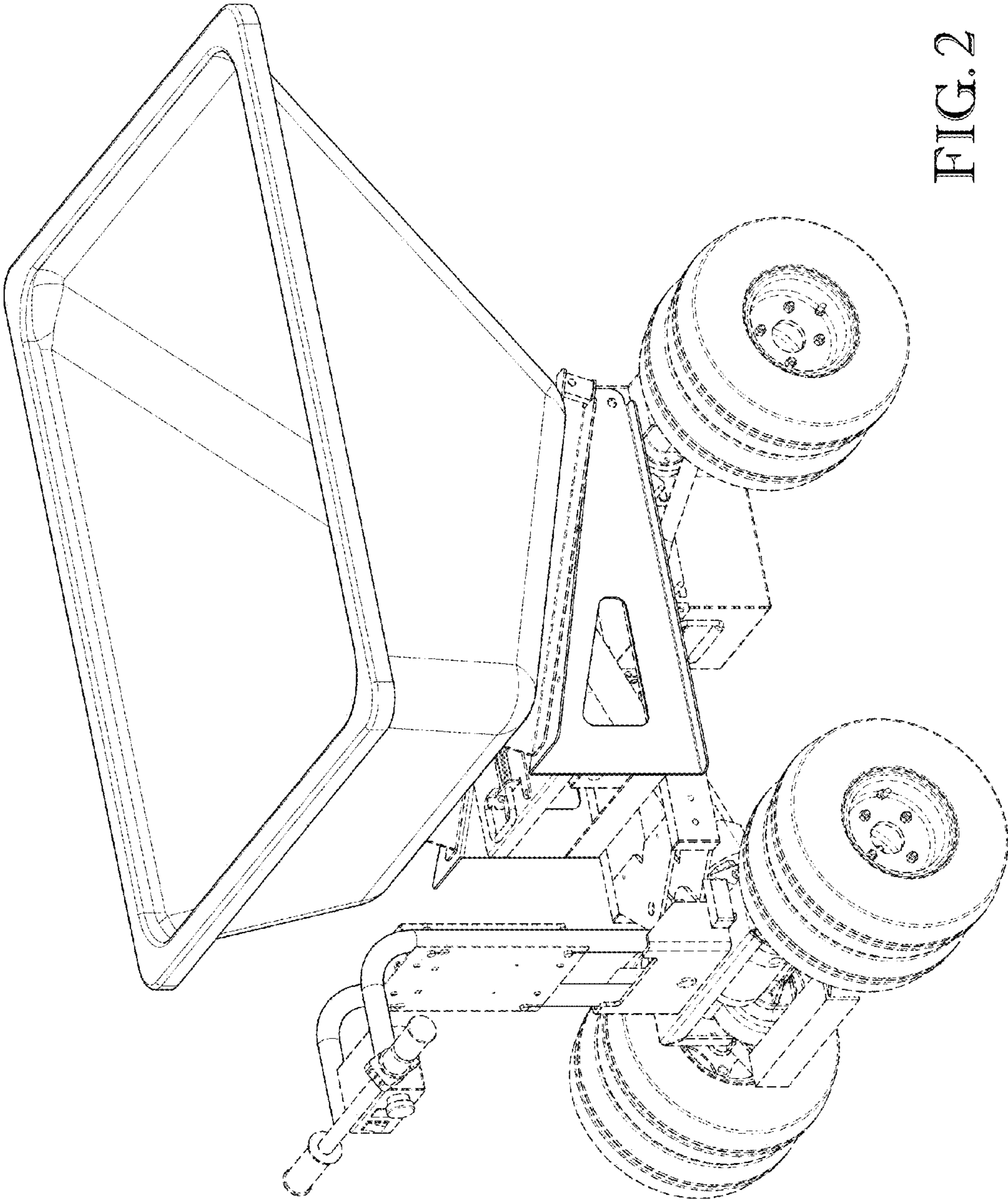


FIG. 2

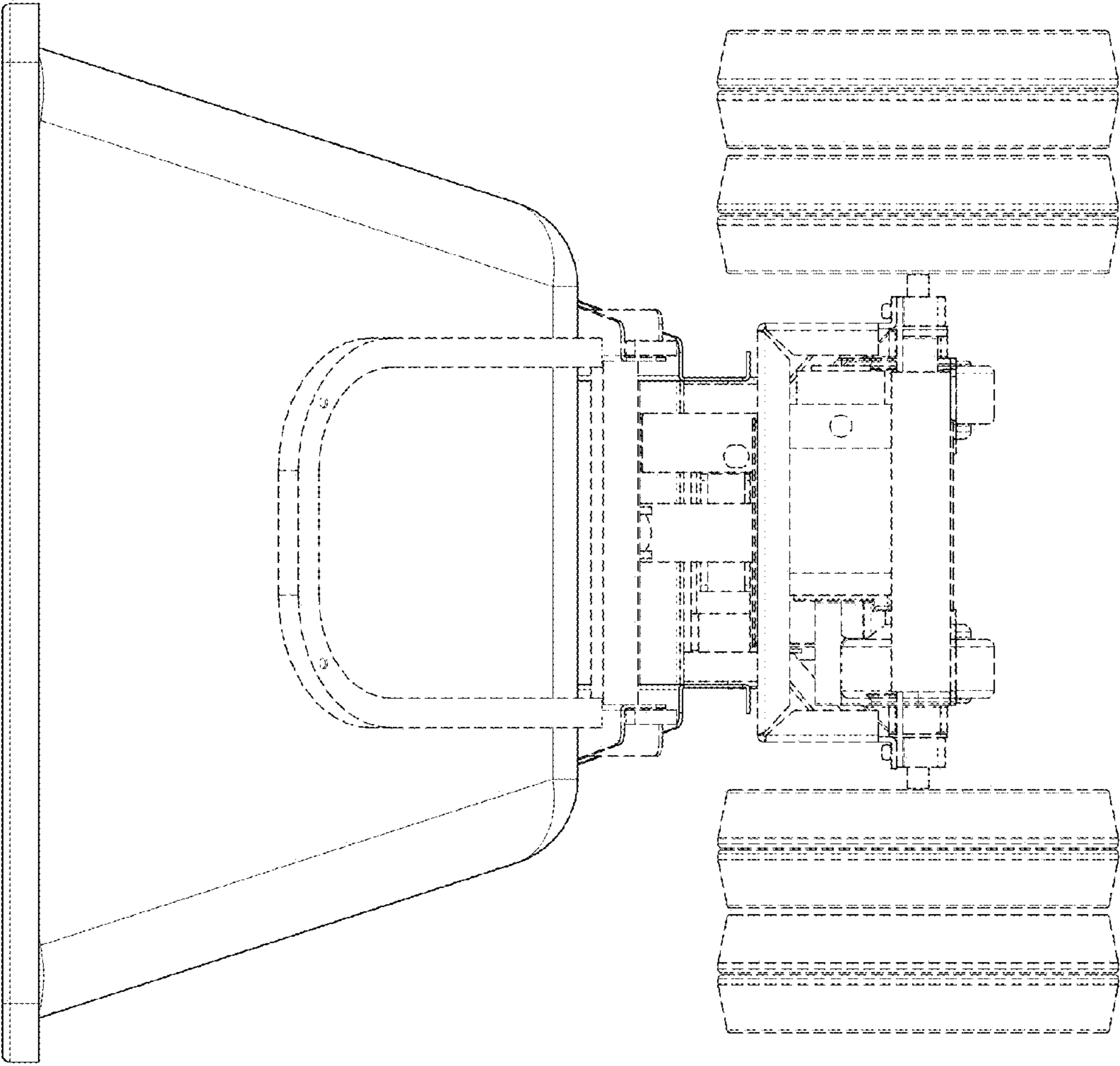


FIG. 3

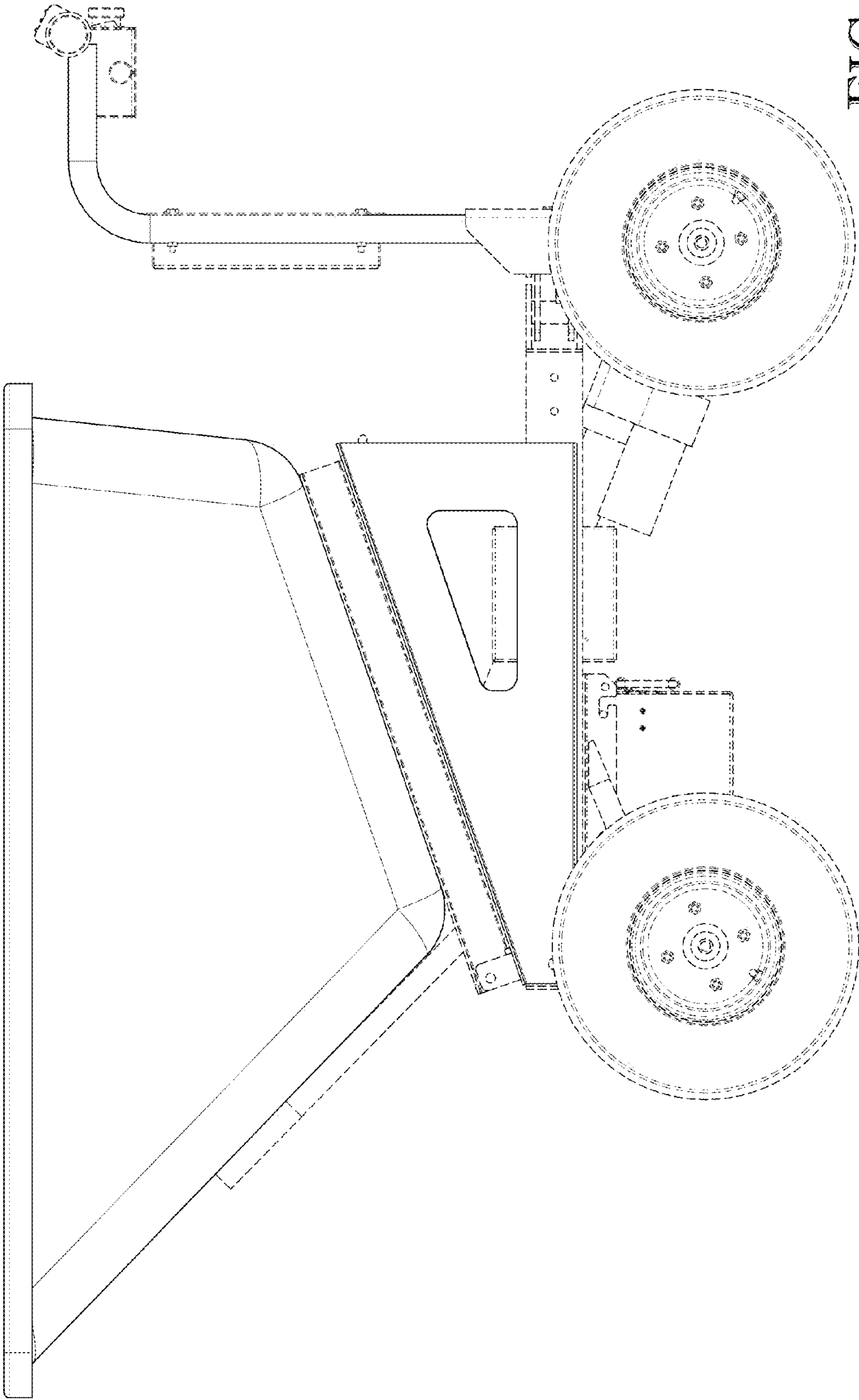


FIG. 4

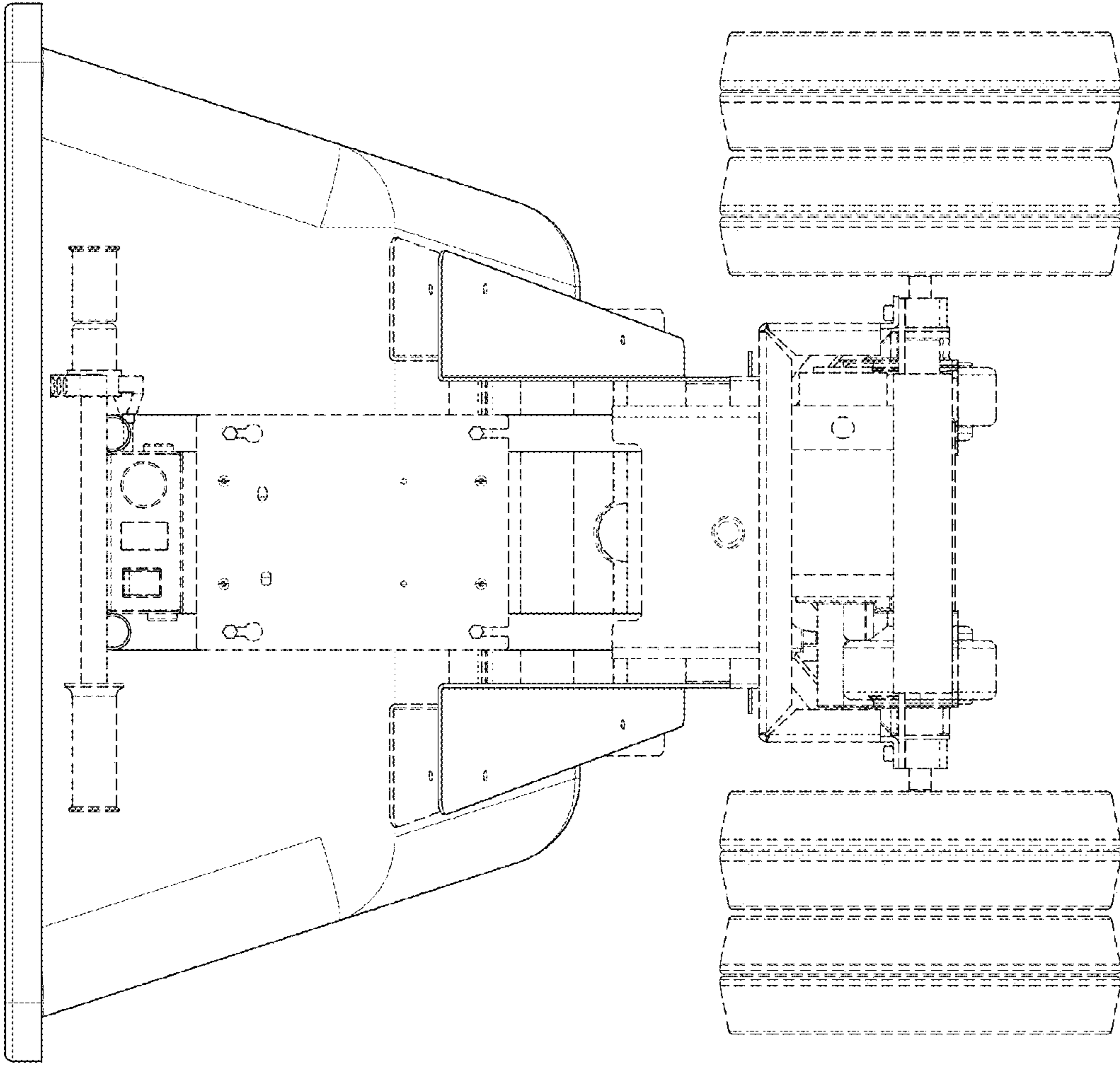


FIG. 5

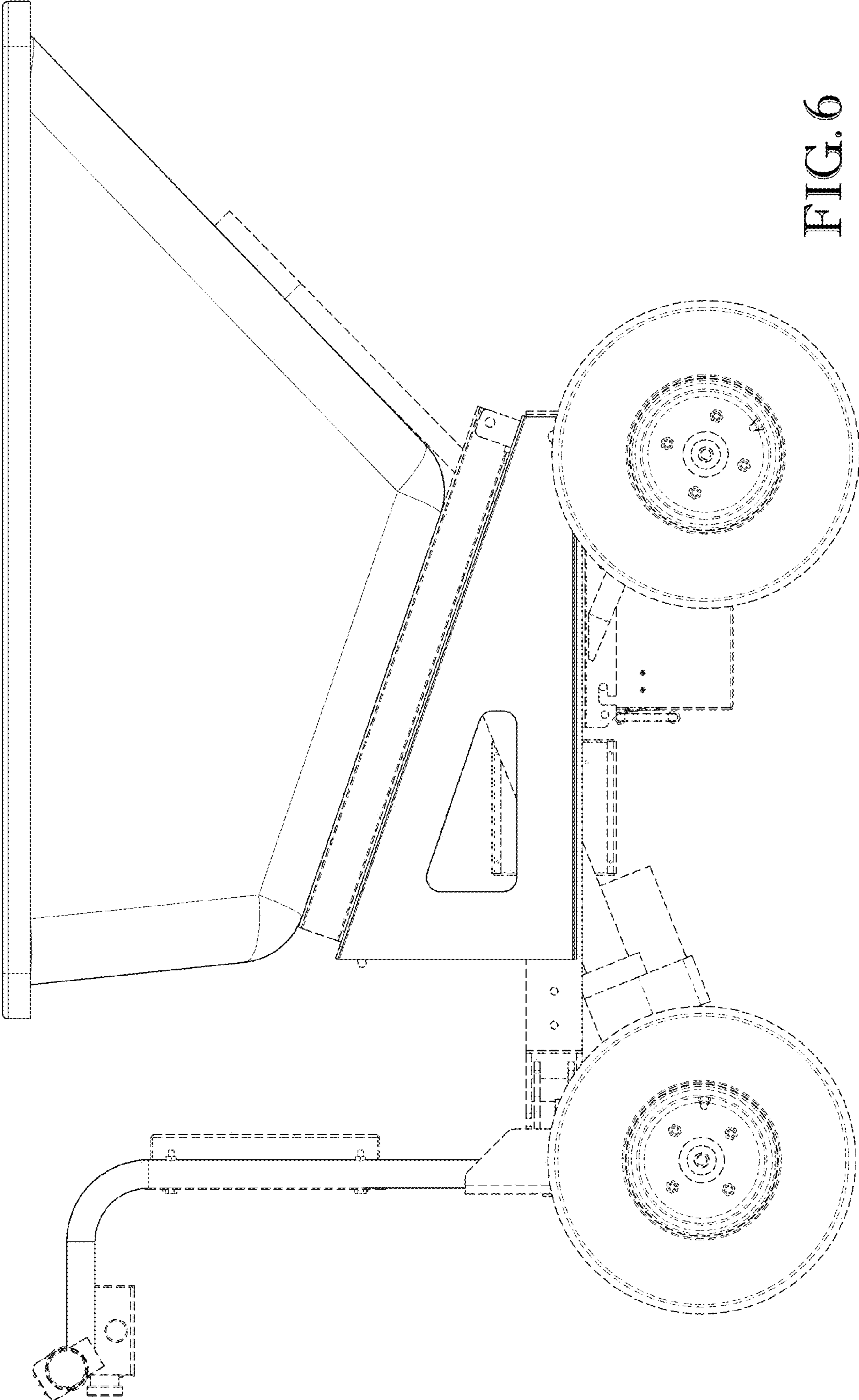


FIG. 6

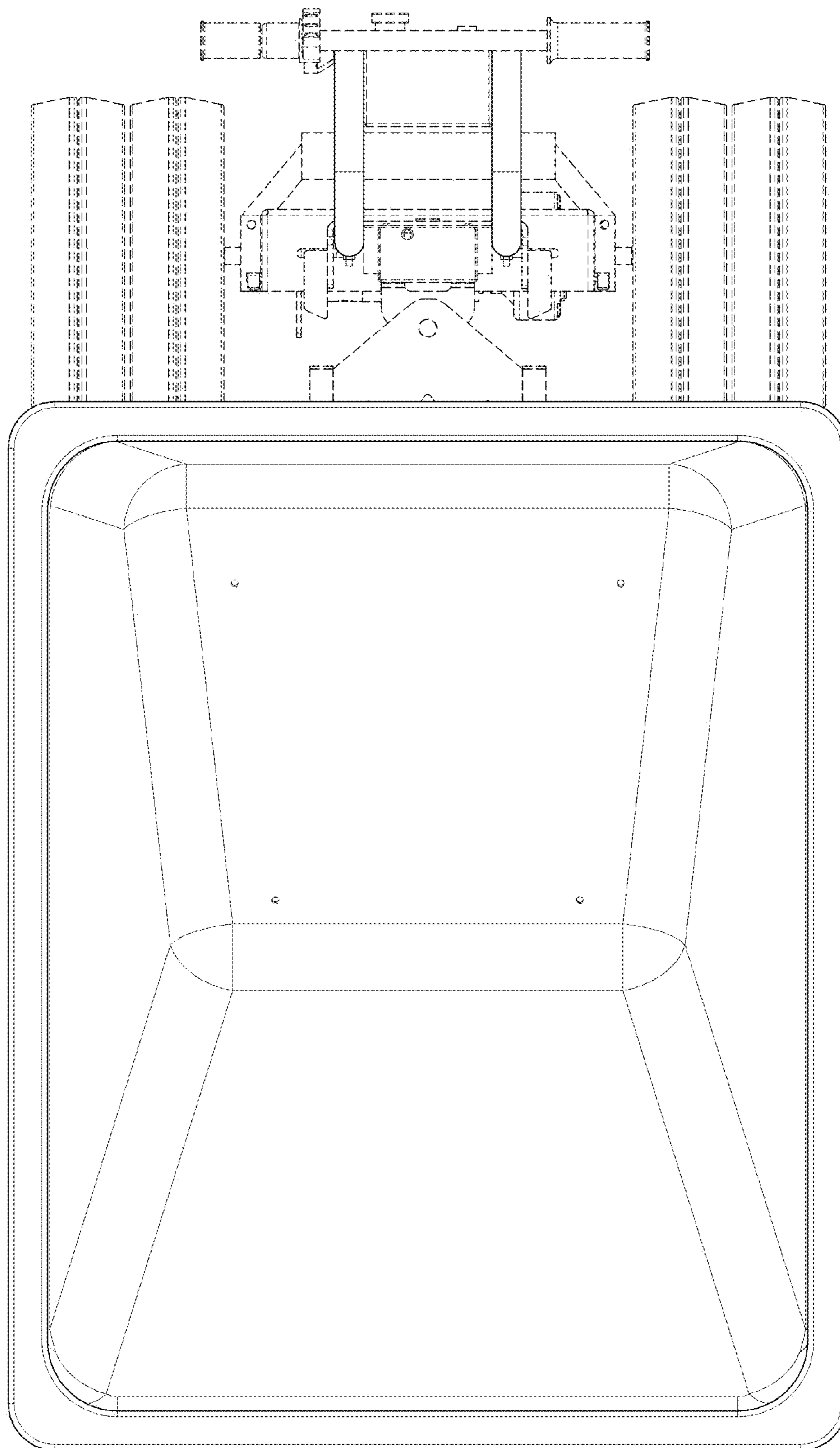


FIG. 7