



US00D752835S

(12) **United States Design Patent**  
**Wyse et al.**

(10) **Patent No.:** **US D752,835 S**  
(45) **Date of Patent:** **\*\* Mar. 29, 2016**

- (54) **POWERED WHEELBARROW**
- (71) Applicant: **Granite Industries, Inc.**, Archbold, OH (US)
- (72) Inventors: **Steven J. Wyse**, Archbold, OH (US);  
**Brent A. Johnston**, West Unity, OH (US)
- (73) Assignee: **Granite Industries, Inc.**, Archbold, OH (US)

D244,438	S	*	5/1977	Samuels	.....	D34/16
D285,322	S	*	8/1986	Appel	.....	D21/425
4,802,681	A	*	2/1989	Hung	.....	B62B 1/002 280/47.18
5,350,030	A	*	9/1994	Mawhinney	.....	B62B 1/24 180/19.3
D606,565	S	*	12/2009	Hickenbottom	.....	D15/17
D608,517	S	*	1/2010	Rowlands	.....	D34/16
D668,830	S	*	10/2012	Cooper	.....	D34/16
D694,981	S	*	12/2013	Albert	.....	D34/16
2012/0181762	A1	*	7/2012	Skijus	.....	B60N 3/026 280/47.31
2015/0158515	A1	*	6/2015	Tabrizi	.....	B62B 1/204 280/47.31

(\*\*) Term: **14 Years**

\* cited by examiner

(21) Appl. No.: **29/510,176**

*Primary Examiner* — Cynthia Ramirez

(22) Filed: **Nov. 25, 2014**

(74) *Attorney, Agent, or Firm* — Hovey Williams LLP

(51) **LOC (10) Cl.** ..... **12-02**

(57) **CLAIM**

(52) **U.S. Cl.**  
USPC ..... **D34/16**

The ornamental design for a powered wheelbarrow, as shown and described.

(58) **Field of Classification Search**  
USPC ..... D34/12-27; 280/653, 33.997, 33.992, 280/33.991, 33.993, 47.18, 47.26, 47.34, 280/47.31, 47.15, 47.12, 47.131, 47.17  
CPC ..... B62B 1/18; B62B 1/20; B62B 1/208; B62B 1/002; B62B 1/10; B62B 1/14; B62B 1/204; B62B 1/22; B62B 1/00; B62B 1/16; B62B 1/206; B62B 5/00; B62B 5/067; B62B 5/068; B62B 5/0083; B62B 5/062; B62B 5/006

**DESCRIPTION**

See application file for complete search history.

FIG. 1 is a front perspective view of a powered wheelbarrow embodying our design;  
FIG. 2 is a rear perspective view of the powered wheelbarrow shown in FIG. 1;  
FIG. 3 is a front elevational view of the powered wheelbarrow shown in FIGS. 1 and 2;  
FIG. 4 is a left side elevational view of the powered wheelbarrow depicted in FIGS. 1-3;  
FIG. 5 is a rear elevational view of the powered wheelbarrow depicted in FIGS. 1-4;  
FIG. 6 is a right side elevational view of the powered wheelbarrow depicted in FIGS. 1-5; and,  
FIG. 7 is a top plan view of the powered wheelbarrow shown in FIGS. 1-6.

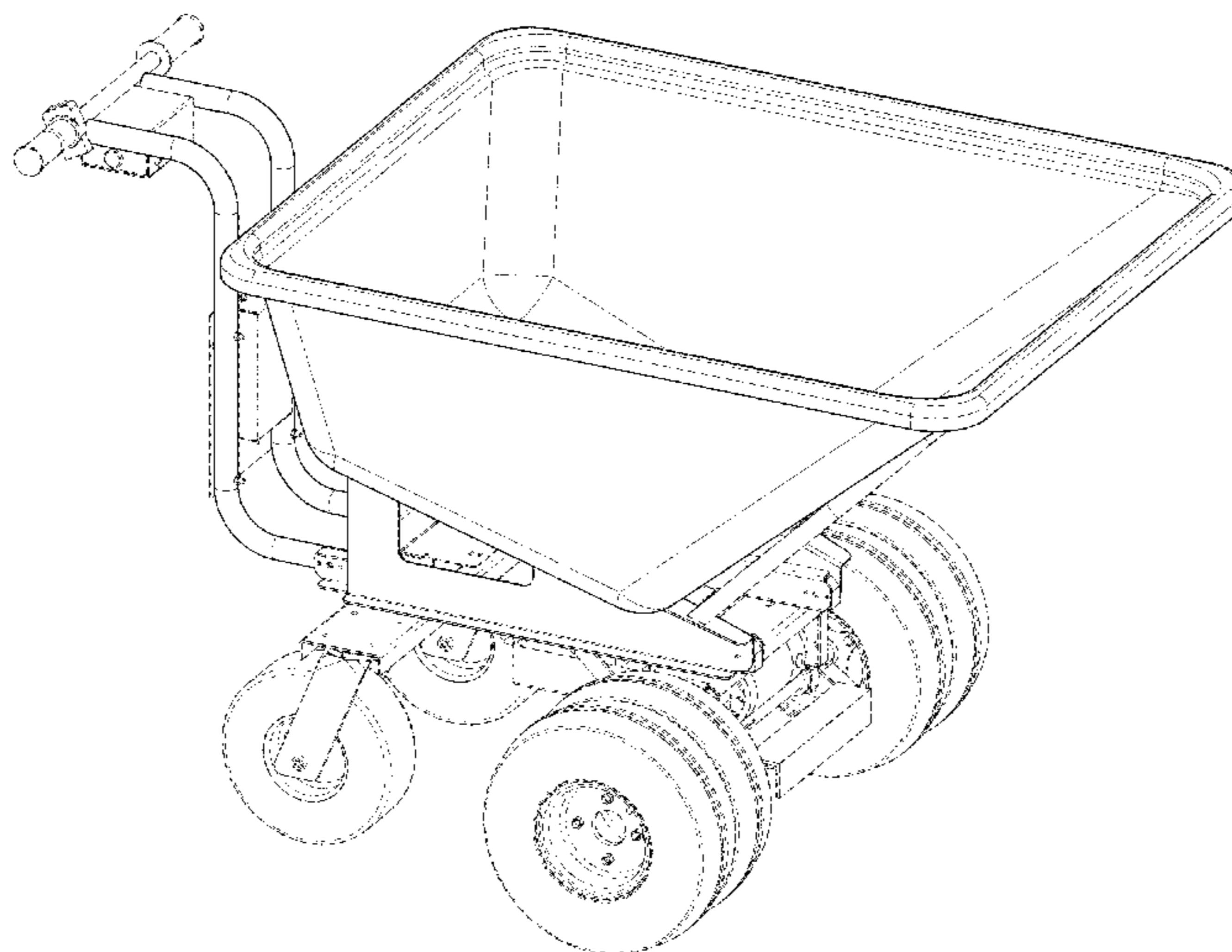
The broken lines shown in the figures are included for the purpose of illustrating environment and form no part of the claimed design.

(56) **References Cited**

**U.S. PATENT DOCUMENTS**

2,800,335	A	*	7/1957	Clapp	.....	B62B 1/208 280/42
3,045,847	A	*	7/1962	Fisher	.....	B62B 1/18 280/47.31
3,690,692	A	*	9/1972	Florian et al.	.....	B62B 1/208 220/6
3,722,904	A	*	3/1973	Puckett	.....	B62B 1/208 280/47.31

**1 Claim, 7 Drawing Sheets**



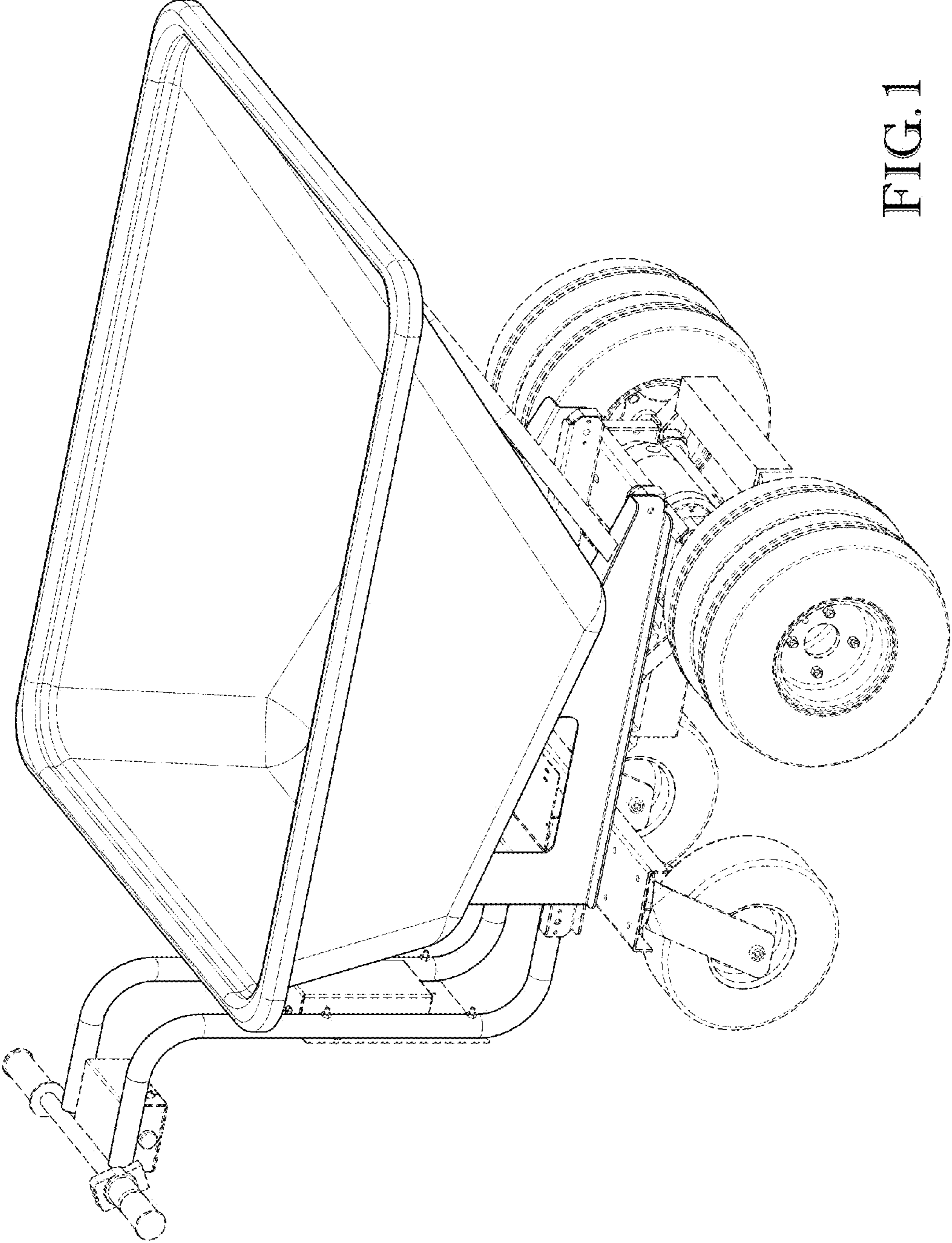


FIG. 1

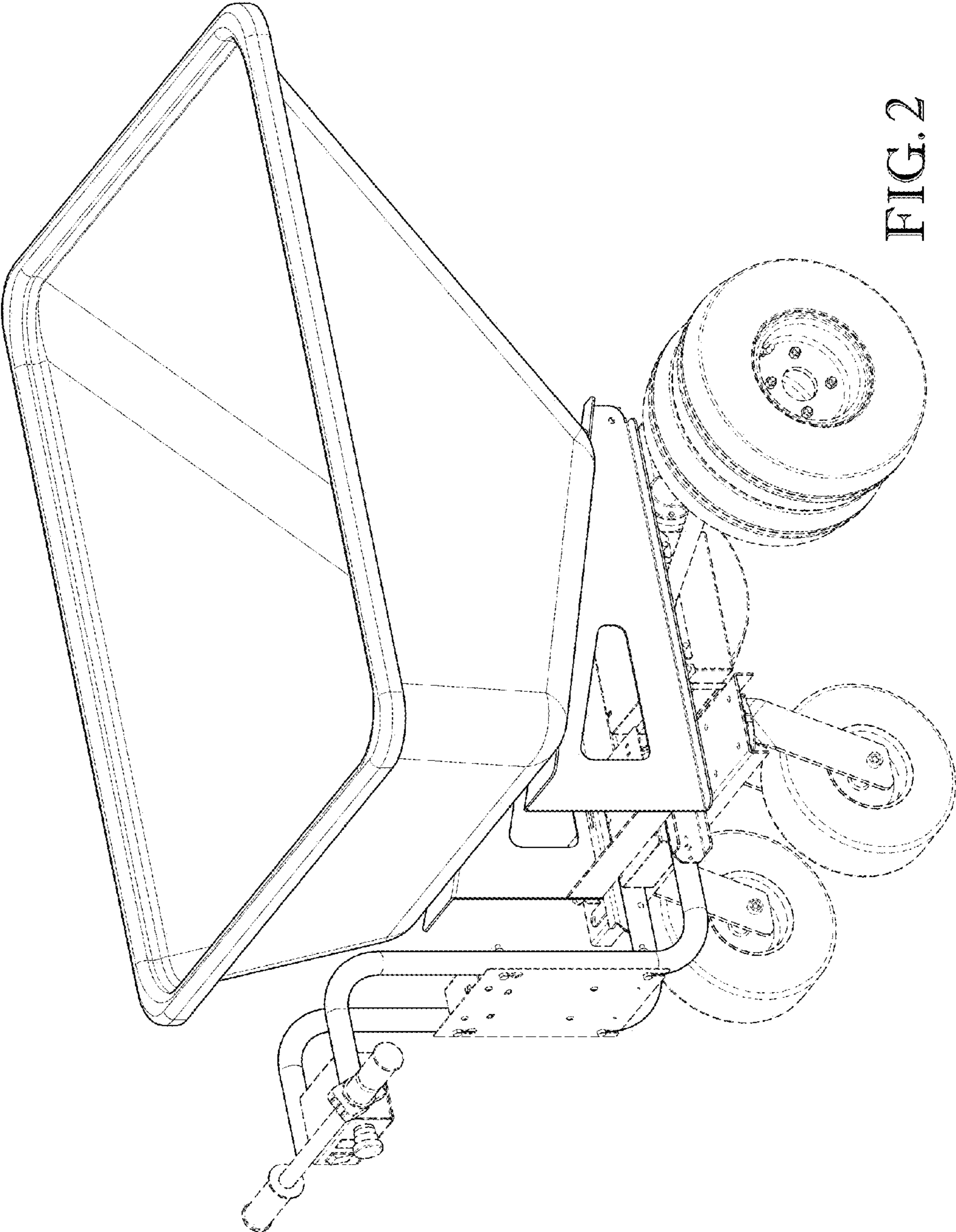


FIG. 2



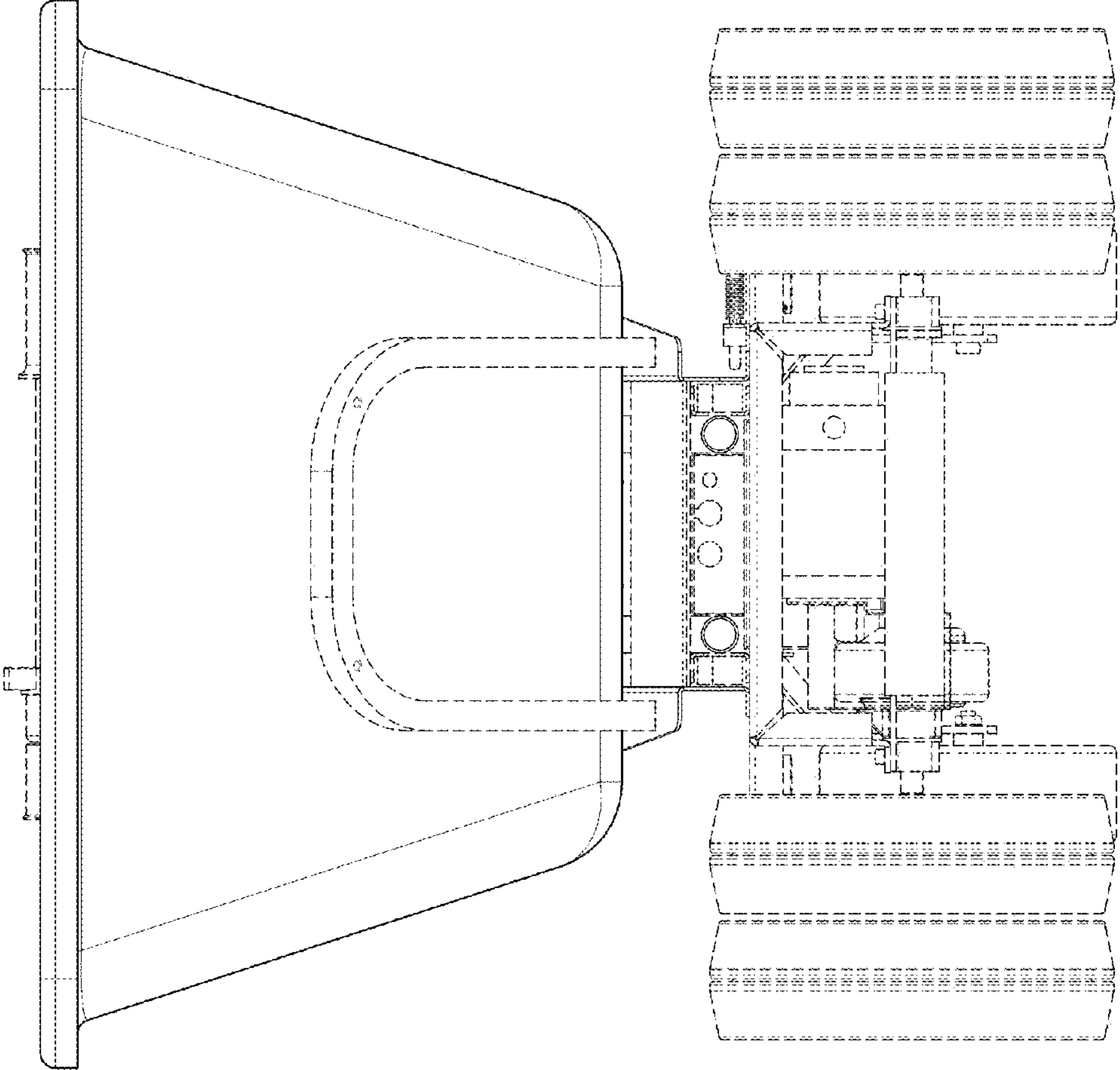


FIG. 3

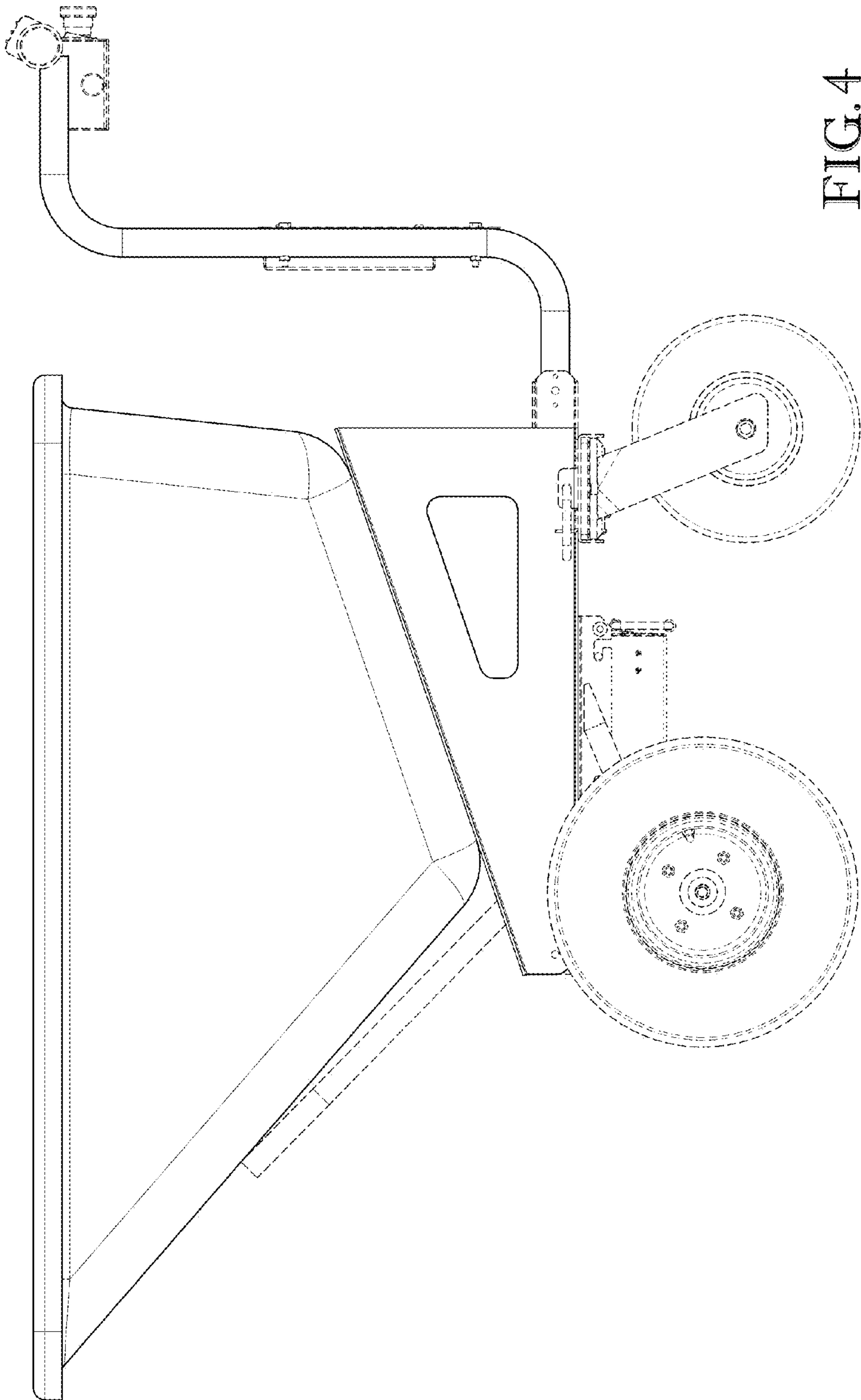


FIG. 4

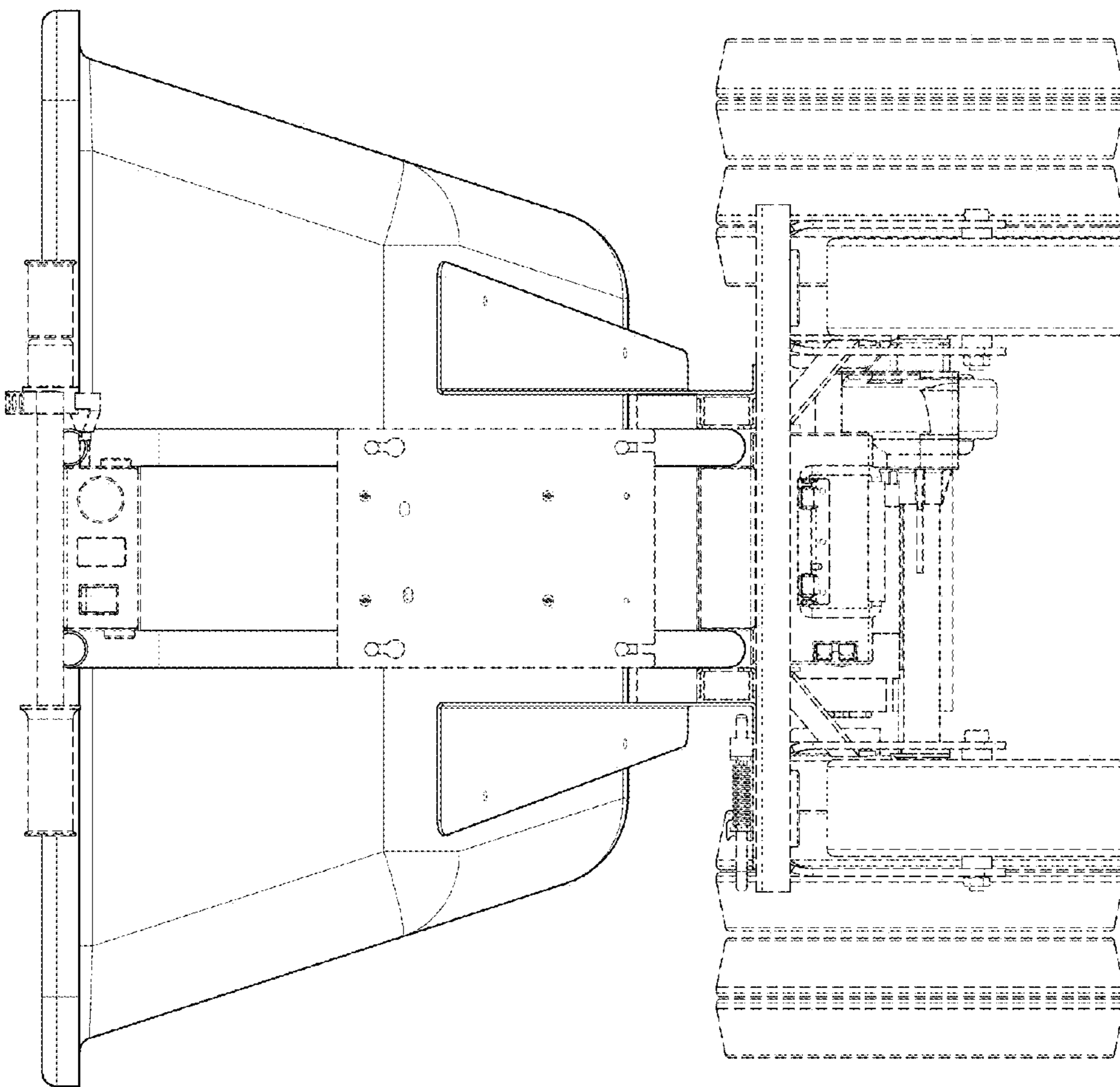


FIG. 5

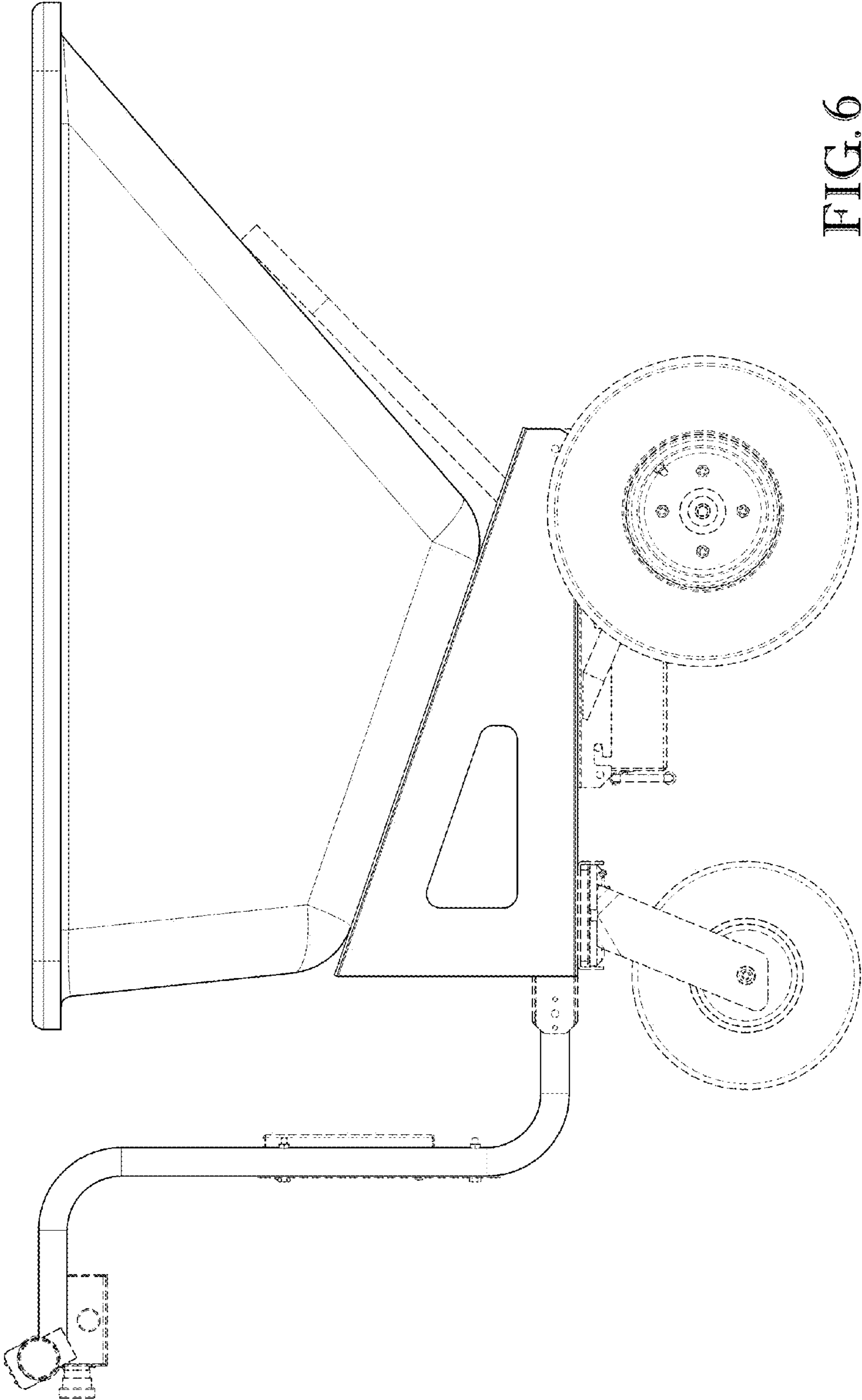


FIG. 6

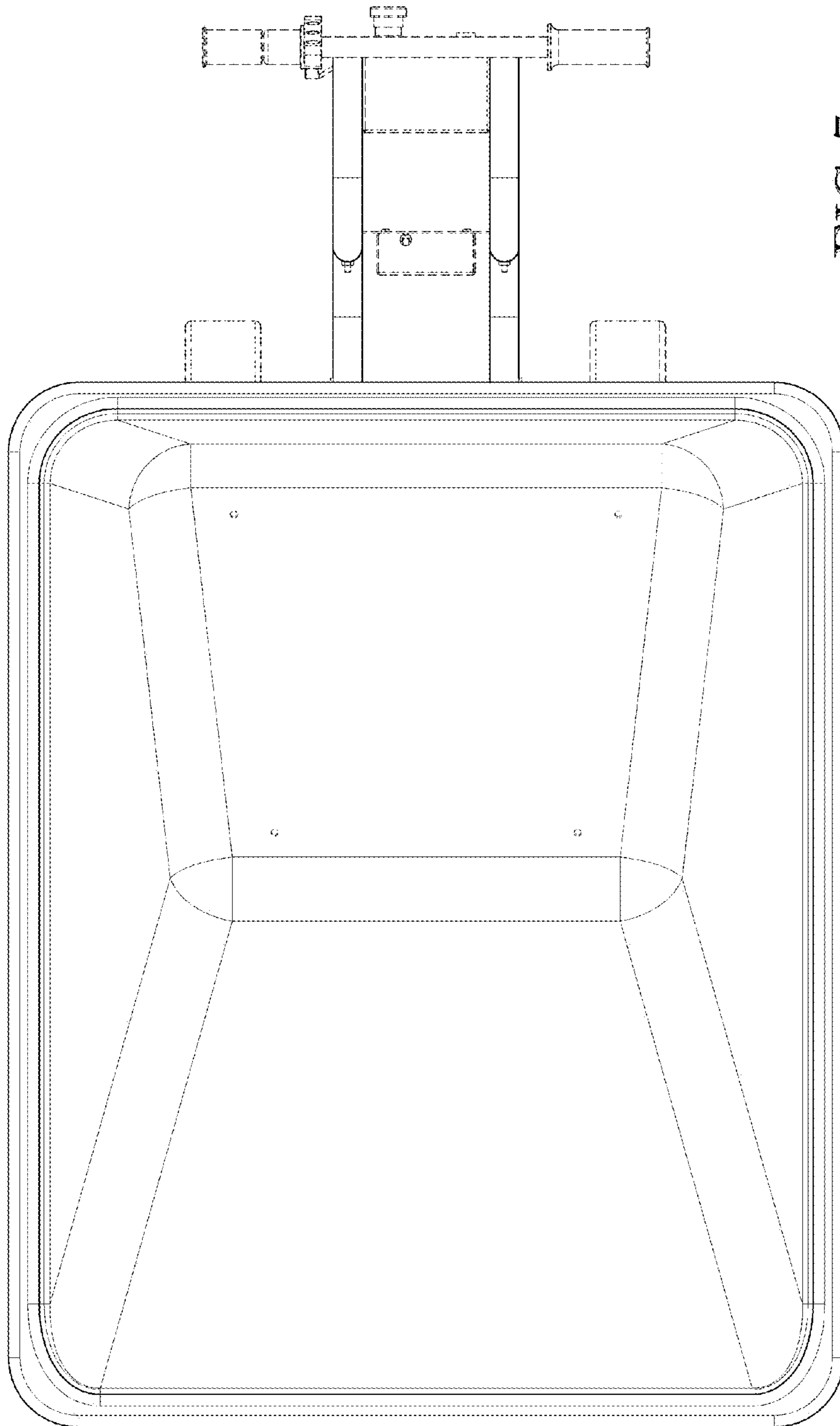


FIG. 7