

US00D752834S

(12) **United States Design Patent**
Wyse et al.

(10) **Patent No.:** **US D752,834 S**
(45) **Date of Patent:** **** Mar. 29, 2016**

- (54) **POWERED CART**
- (71) Applicant: **Granite Industries, Inc.**, Archbold, OH (US)
- (72) Inventors: **Steven J. Wyse**, Archbold, OH (US);
Brent A. Johnston, West Unity, OH (US)
- (73) Assignee: **Granite Industries, Inc.**, Archbold, OH (US)

D244,438 S *	5/1977	Samuels	D34/16
D285,322 S *	8/1986	Appel	D21/425
4,802,681 A *	2/1989	Hung	B62B 1/002 280/47.18
5,350,030 A *	9/1994	Mawhinney	B62B 1/24 180/19.3
D606,565 S *	12/2009	Hickenbottom	D15/17
D608,517 S *	1/2010	Rowlands	D34/16
D668,830 S *	10/2012	Cooper	D34/16
D694,981 S *	12/2013	Albert	D34/16
2012/0181762 A1 *	7/2012	Skijus	B60N 3/026 280/47.31
2015/0158515 A1 *	6/2015	Tabrizi	B62B 1/204 280/47.31

(**) Term: **14 Years**

* cited by examiner

(21) Appl. No.: **29/510,164**

Primary Examiner — Cynthia Ramirez

(22) Filed: **Nov. 25, 2014**

(74) *Attorney, Agent, or Firm* — Hovey Williams LLP

(51) **LOC (10) Cl.** **12-02**

(52) **U.S. Cl.**
USPC **D34/16; D34/12**

(58) **Field of Classification Search**
USPC D34/12-27; 280/653, 33.997, 33.992,
280/33.991, 33.993, 47.18, 47.26, 47.34,
280/47.31, 47.15, 47.12, 47.131, 47.17
CPC B62B 1/18; B62B 1/20; B62B 1/208;
B62B 1/002; B62B 1/10; B62B 1/14; B62B
1/204; B62B 1/22; B62B 1/00; B62B 1/16;
B62B 1/206; B62B 5/00; B62B 5/067; B62B
5/068; B62B 5/0083; B62B 5/062; B62B
5/006

See application file for complete search history.

(56) **References Cited**

U.S. PATENT DOCUMENTS

2,800,335 A *	7/1957	Clapp	B62B 1/208 280/42
3,045,847 A *	7/1962	Fisher	B62B 1/18 280/47.31
3,690,692 A *	9/1972	Florian	B62B 1/208 220/6
3,722,904 A *	3/1973	Puckett	B62B 1/208 280/47.31

(57) **CLAIM**

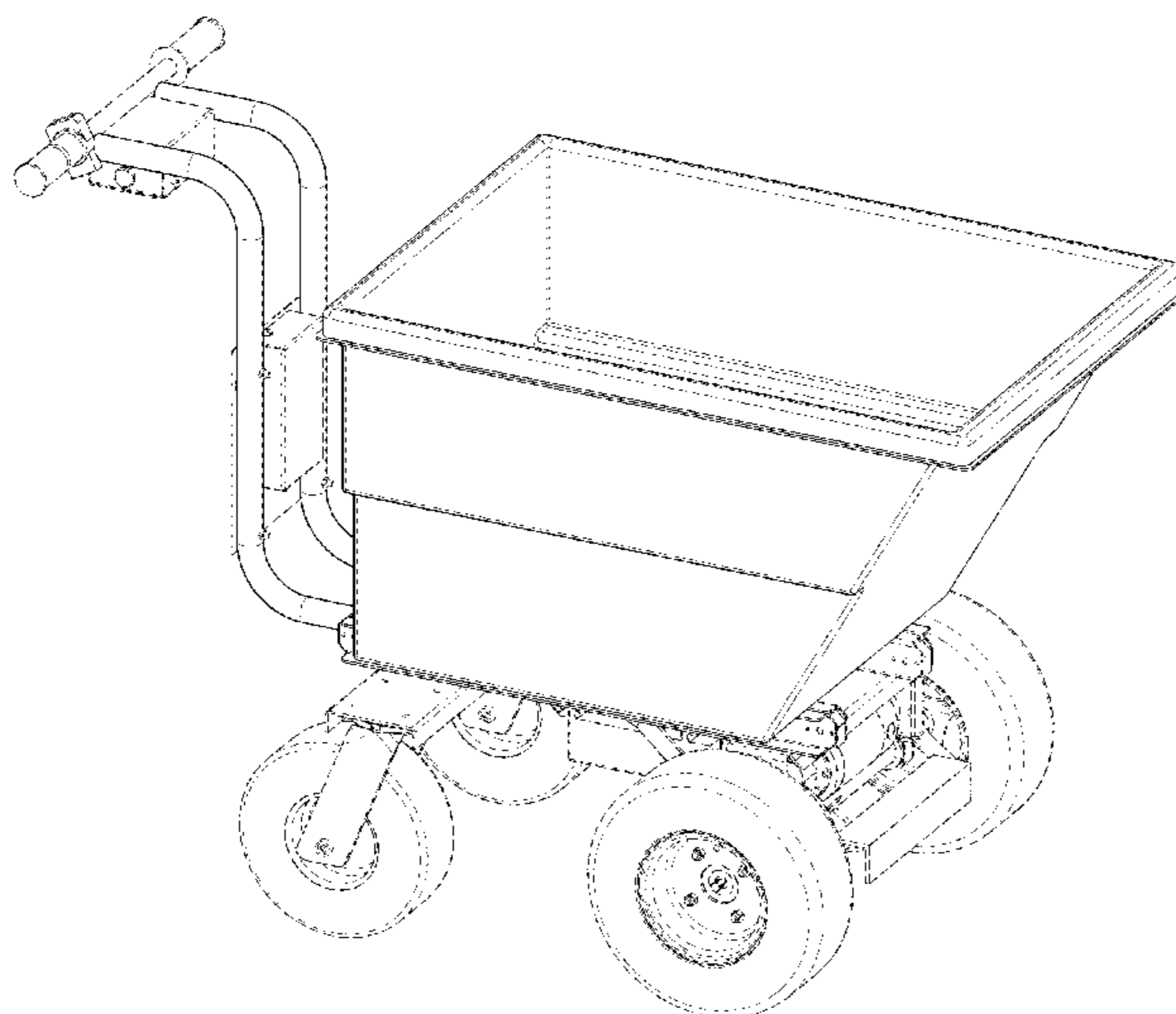
The ornamental design for a powered cart, as shown and described.

DESCRIPTION

FIG. 1 is a front perspective view of a powered cart embodying our design;
 FIG. 2 is a rear perspective view of the powered cart shown in FIG. 1;
 FIG. 3 is a front elevational view of the powered cart shown in FIGS. 1 and 2;
 FIG. 4 is a left side elevational view of the powered cart depicted in FIGS. 1-3;
 FIG. 5 is a rear elevational view of the powered cart depicted in FIGS. 1-4;
 FIG. 6 is a right side elevational view of the powered cart depicted in FIGS. 1-5; and,
 FIG. 7 is a top plan view of the powered cart shown in FIGS. 1-6.

The broken lines shown in the figures are included for the purpose of illustrating environment and form no part of the claimed design.

1 Claim, 7 Drawing Sheets



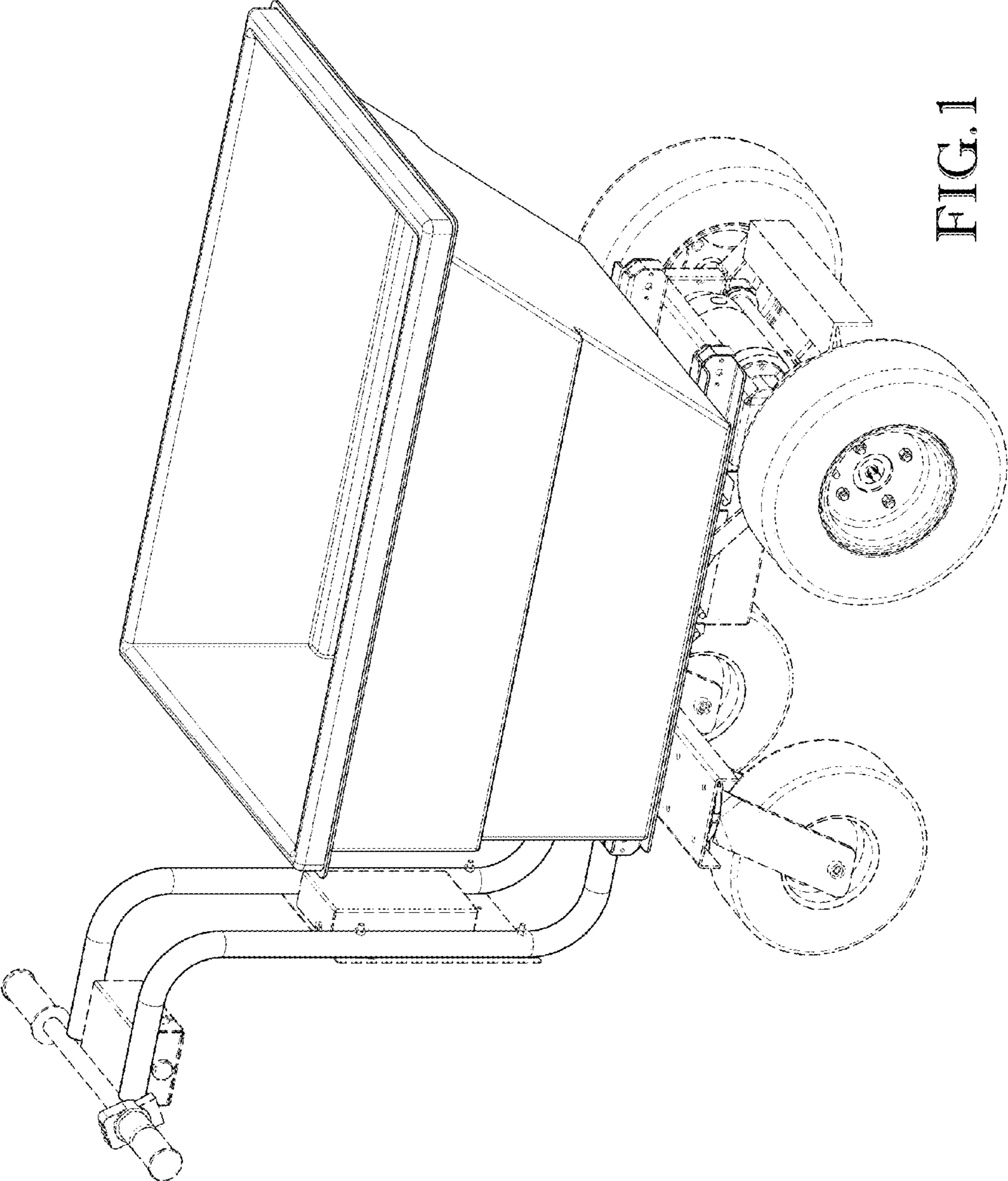


FIG. 1

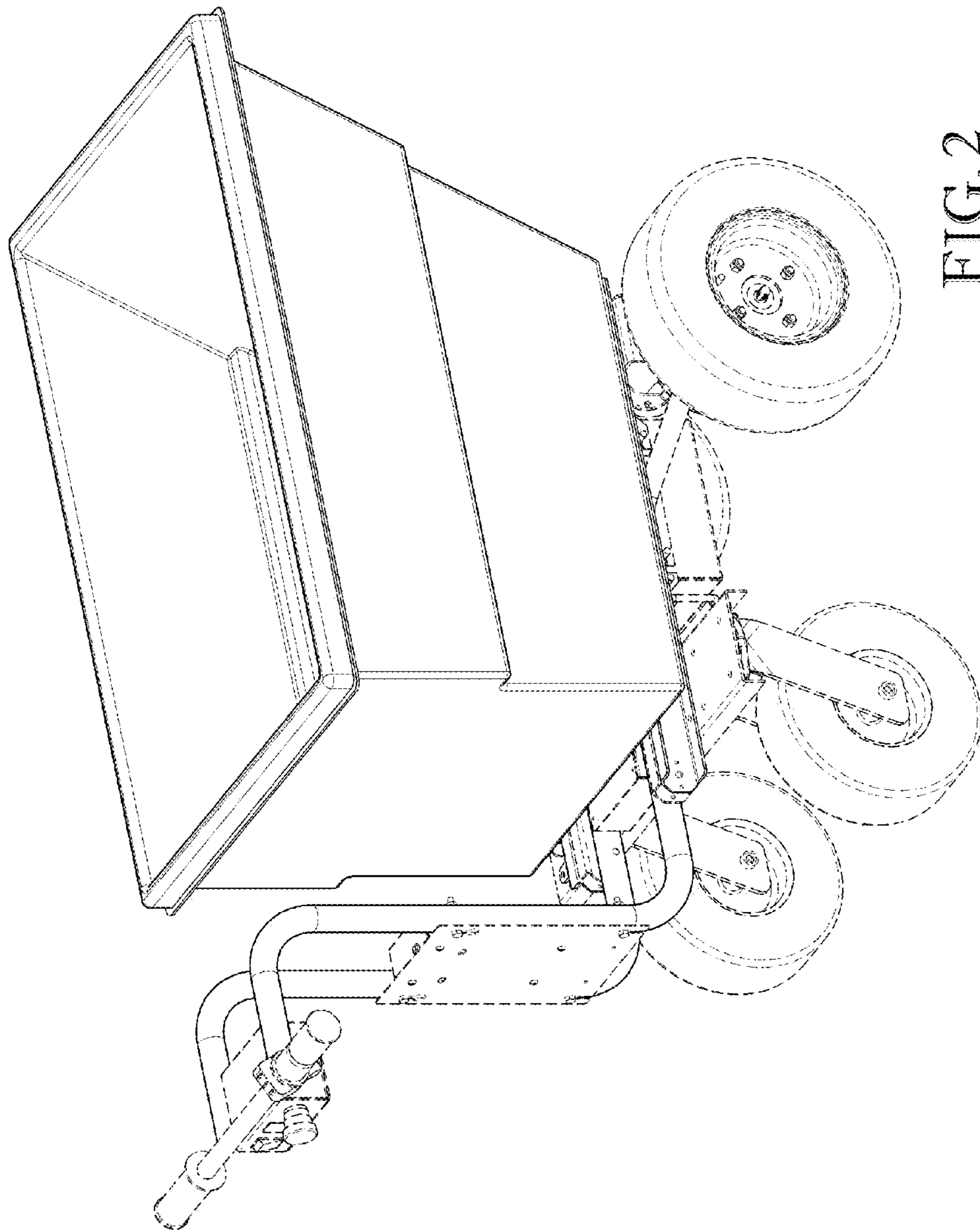


FIG. 2

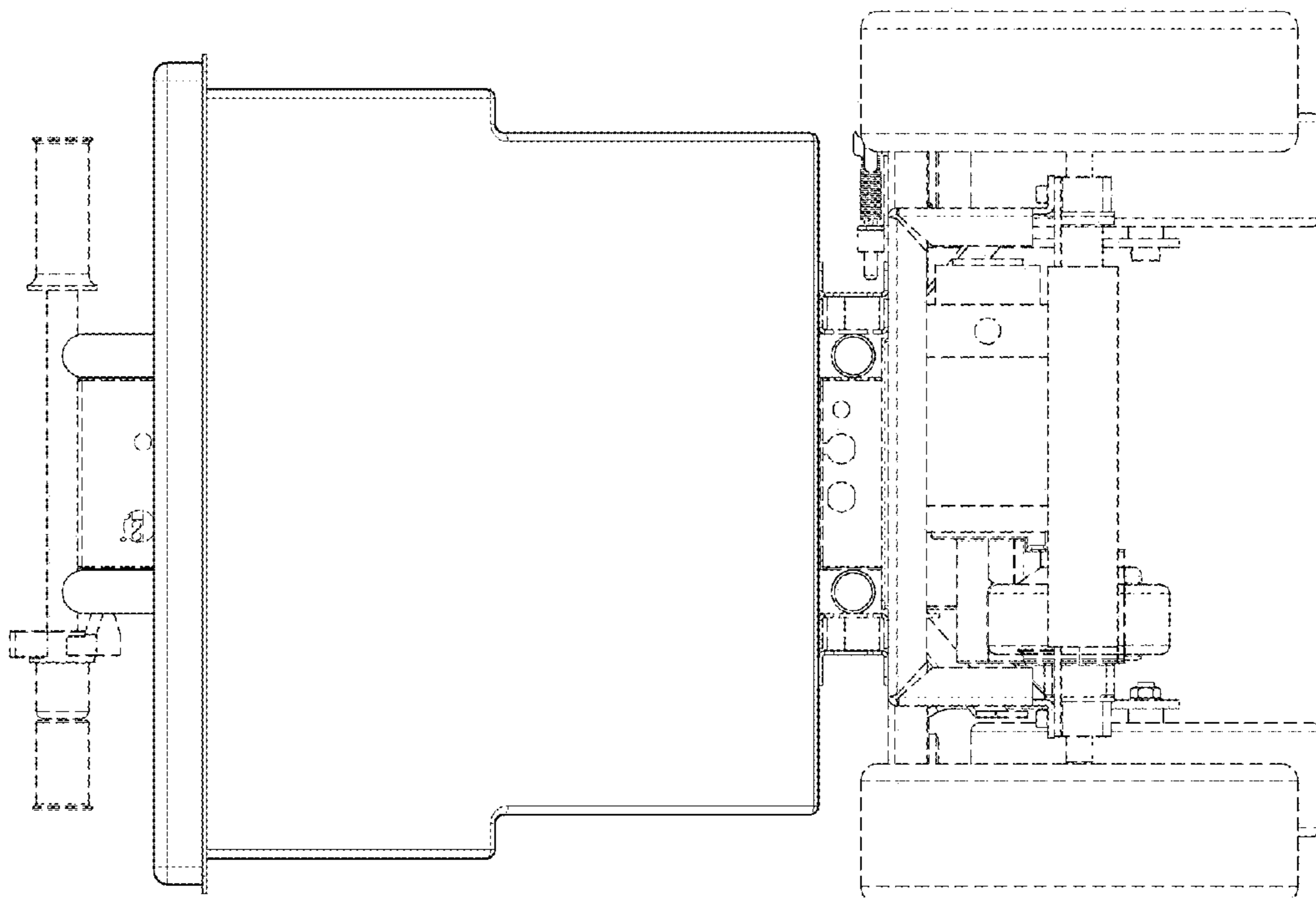


FIG. 3

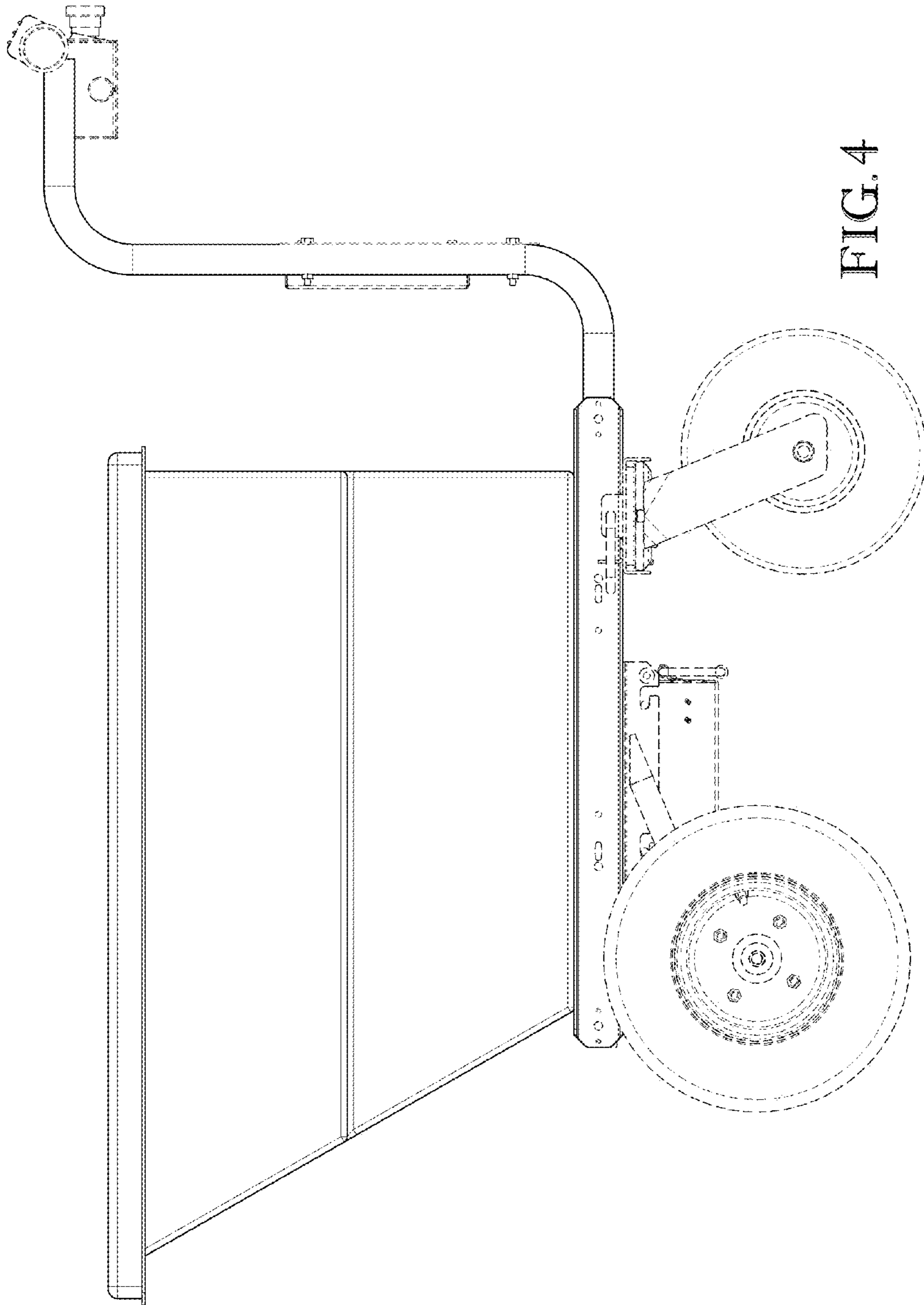


FIG. 4

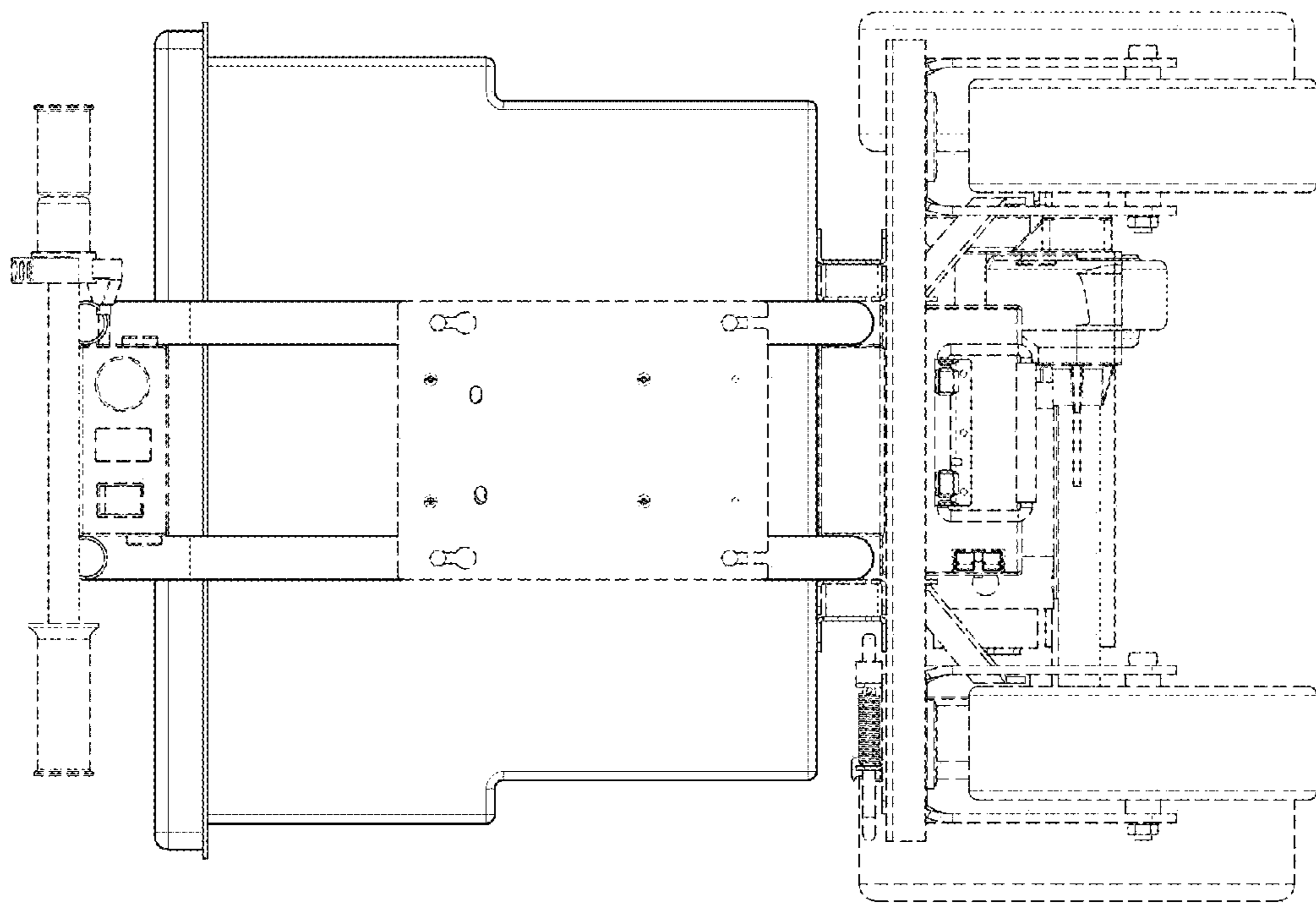


FIG. 5

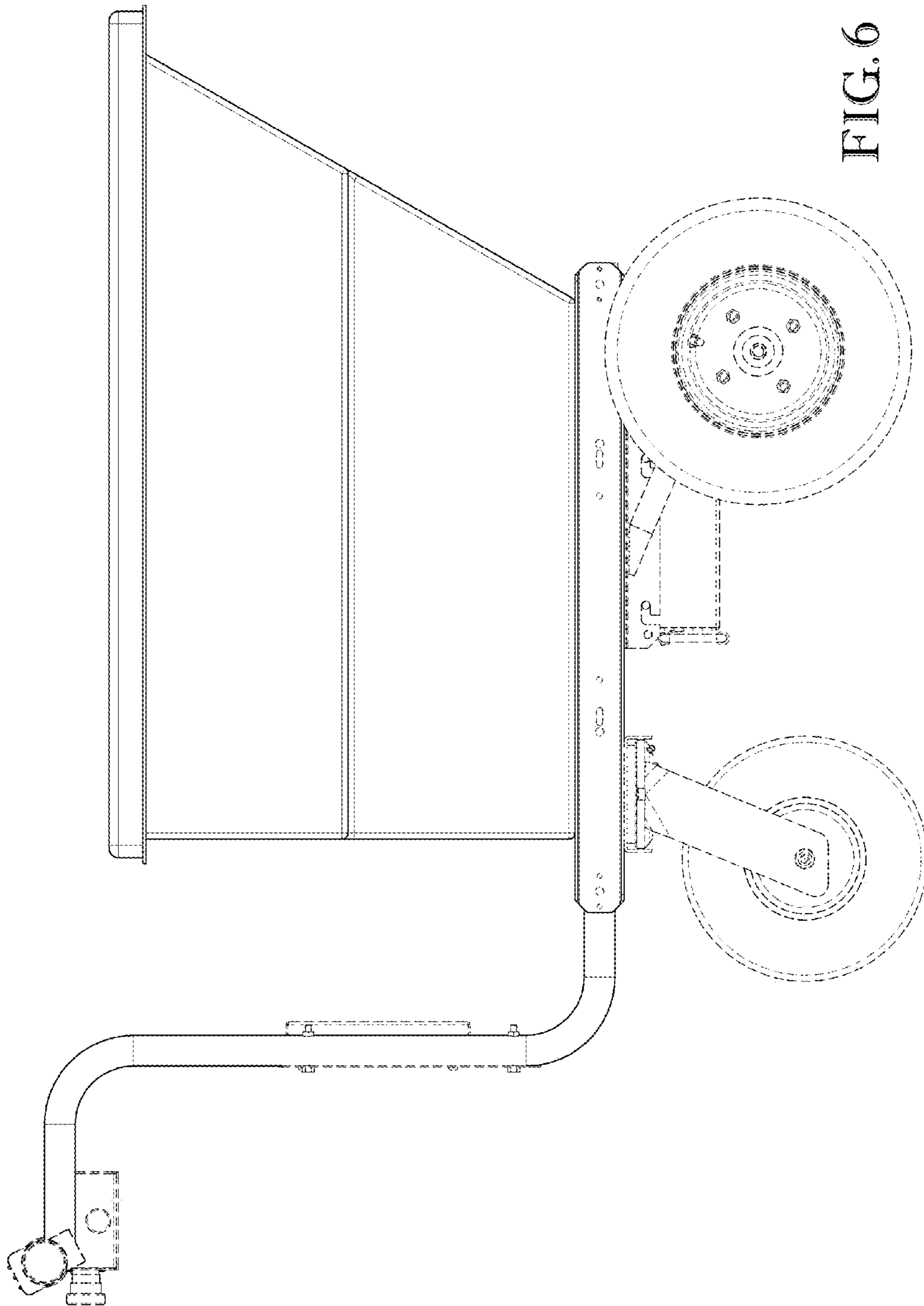


FIG. 6

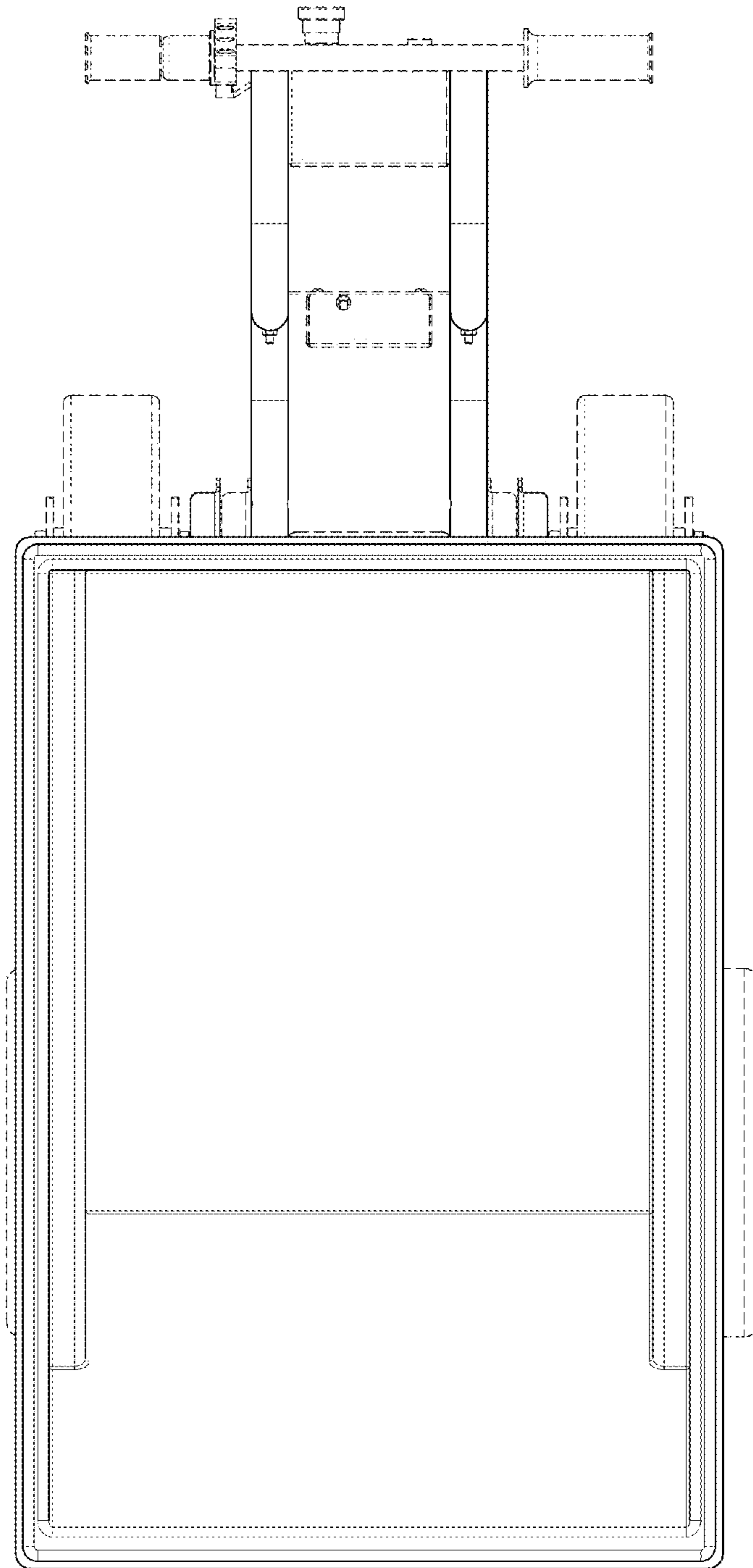


FIG. 7