



US00D752833S

(12) **United States Design Patent**  
**Espin**

(10) **Patent No.:** **US D752,833 S**  
(45) **Date of Patent:** **\*\* Mar. 29, 2016**

(54) **GOLF CLUB CLEANING APPARATUS**

(71) Applicant: **Jose Espin**, Miami, FL (US)

(72) Inventor: **Jose Espin**, Miami, FL (US)

(\*\*) Term: **14 Years**

(21) Appl. No.: **29/495,345**

(22) Filed: **Jun. 30, 2014**

(51) **LOC (10) Cl.** ..... **08-99**

(52) **U.S. Cl.**  
USPC ..... **D32/35; D4/114**

(58) **Field of Classification Search**  
USPC ..... D32/6, 7, 13, 17, 19, 25, 26, 33, 34  
CPC ..... A46B 5/00; A46B 5/0025; A46B 5/0062;  
A46B 5/02; A46B 17/00; A46B 17/02;  
A46B 17/06; A46B 2200/30; A46B  
2200/3006; A46B 2200/3013

See application file for complete search history.

(56) **References Cited**

**U.S. PATENT DOCUMENTS**

3,739,416	A *	6/1973	Kurachi	.....	A61C 17/26
					15/23
D266,035	S *	9/1982	Thompson	.....	D4/128
D321,989	S *	12/1991	Wilson	.....	D4/128
D367,174	S *	2/1996	Matossian	.....	D4/114
D425,308	S *	5/2000	Ancona	.....	D4/121
D452,080	S *	12/2001	Petner	.....	D4/114
D489,903	S *	5/2004	Dunn	.....	D4/128

D498,057	S *	11/2004	Ashley	.....	D4/114
D501,606	S *	2/2005	Belt	.....	D4/114
D515,319	S *	2/2006	Ashley	.....	D4/114
7,131,783	B1 *	11/2006	DeRoma	.....	A46B 5/02
					401/15
D539,997	S *	4/2007	Hay	.....	D32/35
7,473,046	B2 *	1/2009	Kraus	.....	A46B 5/00
					15/114
7,631,385	B2 *	12/2009	Schouten	.....	A46B 3/16
					15/160
D690,945	S *	10/2013	Williams	.....	D4/128
D696,868	S *	1/2014	Schouten	.....	D4/128

\* cited by examiner

*Primary Examiner* — George D Kirschbaum

*Assistant Examiner* — Natasha Vujcic

(74) *Attorney, Agent, or Firm* — Albert Bordas, P.A.

(57) **CLAIM**

The ornamental design for a golf club cleaning apparatus, as shown and described.

**DESCRIPTION**

FIG. 1 is a top plan view of a golf club cleaning apparatus; FIG. 2 is a front elevational view thereof, the rear elevational view being a mirror image thereof;

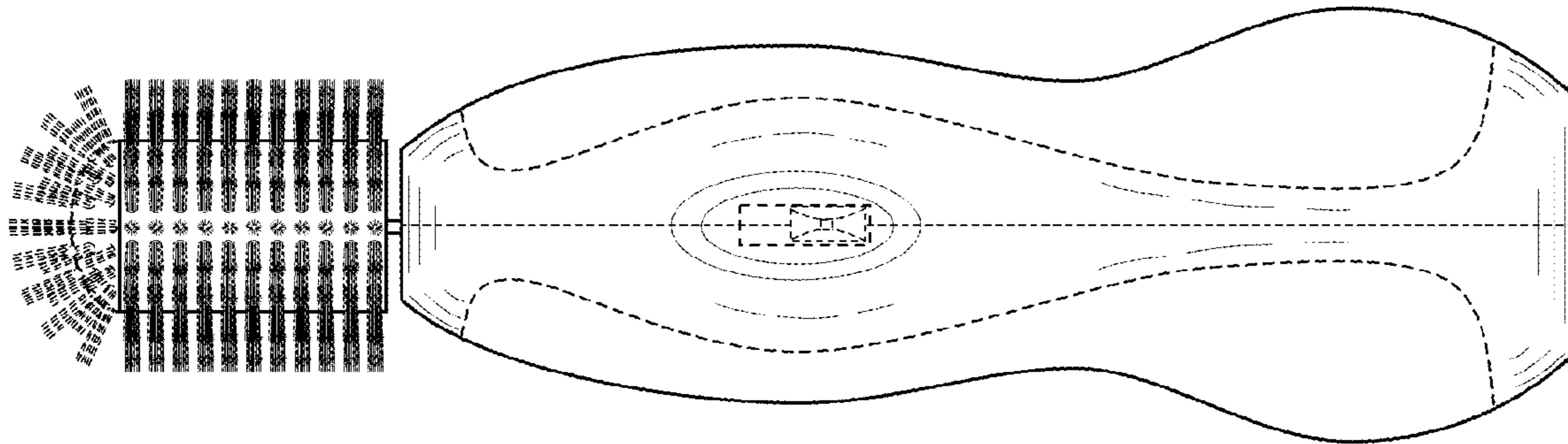
FIG. 3 is a bottom view thereof;

FIG. 4 is a right-side elevational view thereof; and,

FIG. 5 is a left-side elevational view thereof.

The broken lines in the drawings illustrate portions of the golf club cleaning apparatus which form no part of the claimed design.

**1 Claim, 2 Drawing Sheets**



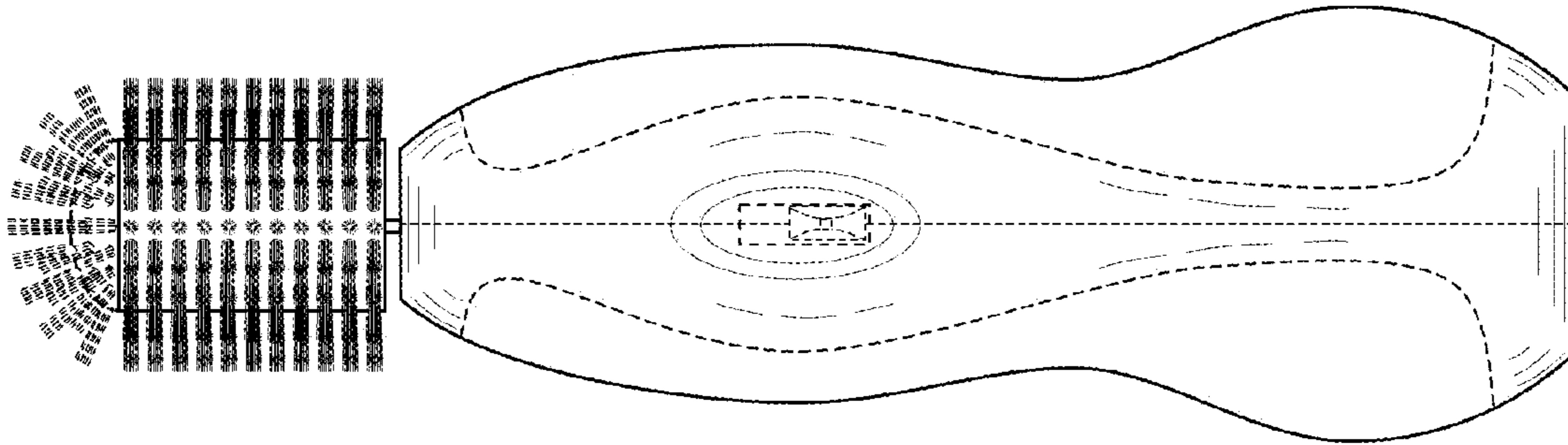


Fig. 1

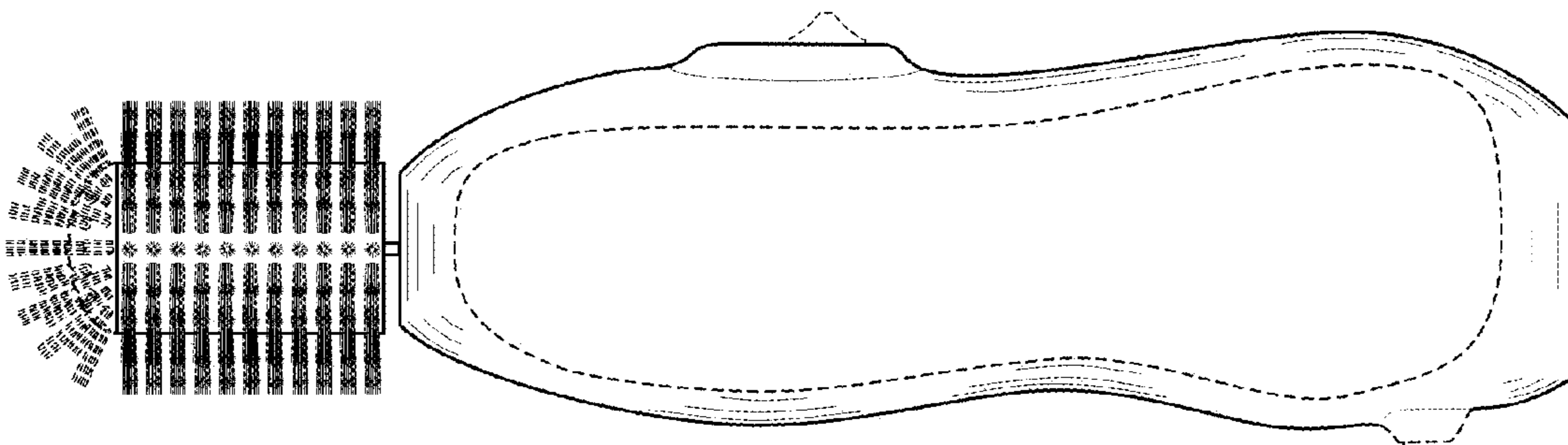


Fig. 2

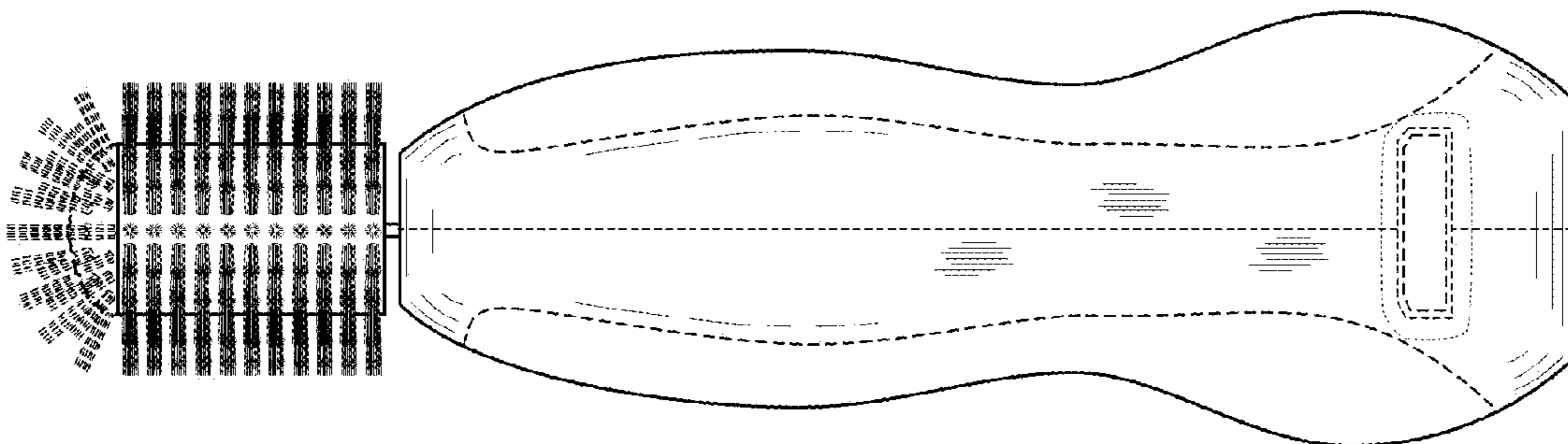


Fig. 3

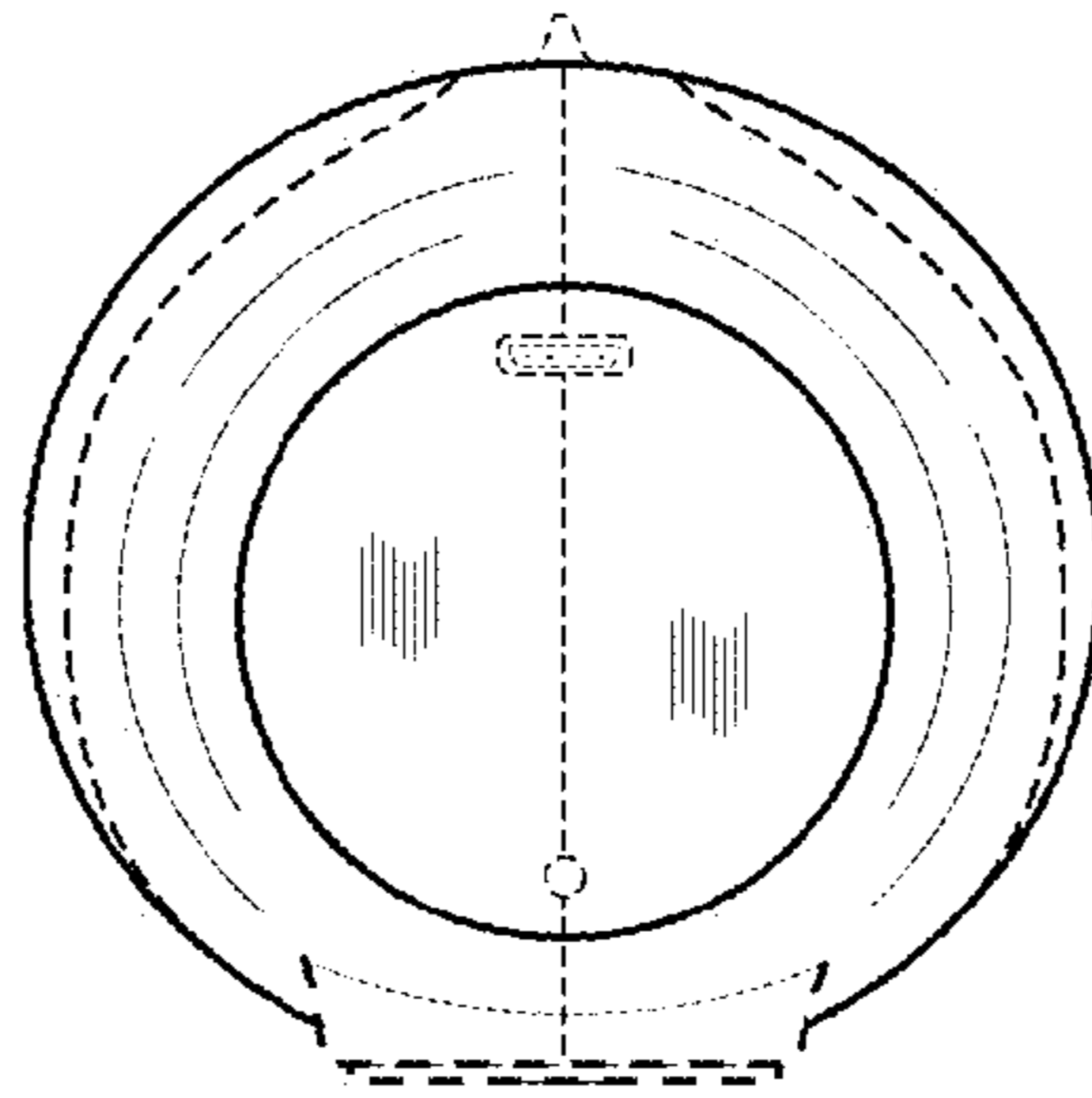


Fig. 4

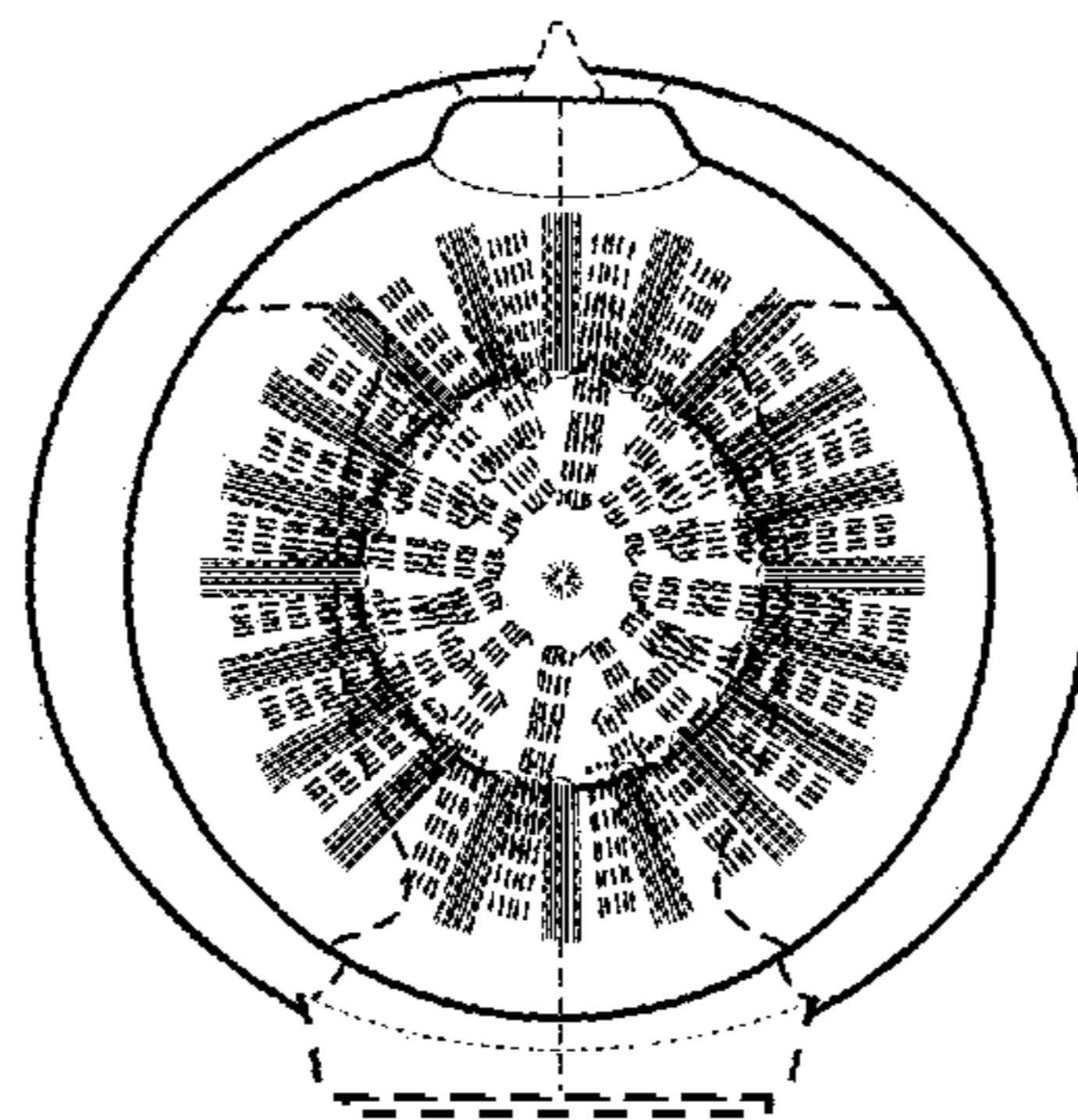


Fig. 5