



US00D752831S

(12) **United States Design Patent**
Kim et al.

(10) **Patent No.:** **US D752,831 S**
(45) **Date of Patent:** **** Mar. 29, 2016**

- (54) **CLEANER**
- (71) Applicant: **Samsung Electronics Co., Ltd.**,
Suwon-si (KR)
- (72) Inventors: **Kyung-Tae Kim**, Seoul (KR); **Sara Petrucci**, Clavesana (IT); **Chris Bangle**, Clavesana (IT)
- (73) Assignee: **SAMSUNG ELECTRONICS CO., LTD.** (KR)
- (**) Term: **14 Years**
- (21) Appl. No.: **29/496,396**
- (22) Filed: **Jul. 11, 2014**
- (51) **LOC (10) Cl.** **15-05**
- (52) **U.S. Cl.**
USPC **D32/18**
- (58) **Field of Classification Search**
USPC D32/18, 21-24, 31
CPC .. B01D 50/002; A47L 9/1625; A47L 9/1683;
A47L 9/1666; A47L 9/1641; A47L 5/28;
A47L 5/24; A47L 5/362; A47L 5/365; A47L
5/36; A47L 7/06
See application file for complete search history.

- D237,244 S * 10/1975 Williams D32/22
- D246,752 S * 12/1977 Fukuda et al. D32/18
- D384,783 S * 10/1997 Strohmeyer et al. D32/22
- D386,843 S * 11/1997 Strohmeyer et al. D32/22
- D474,867 S * 5/2003 Robinson D32/18
- D515,752 S * 2/2006 Rosenzweig D32/18
- D636,954 S * 4/2011 Liu et al. D32/22
- D682,493 S * 5/2013 Erlich et al. D32/18
- D685,542 S * 7/2013 Erlich et al. D32/18
- D729,471 S * 5/2015 Aglassinger D32/18

* cited by examiner

Primary Examiner — Ruth McInroy

(74) *Attorney, Agent, or Firm* — Cantor Colburn LLP

(57) **CLAIM**

We claim, the ornamental design for a cleaner, as shown and described.

DESCRIPTION

FIG. 1 is a perspective view of a cleaner, showing our new design;
 FIG. 2 is a front view thereof;
 FIG. 3 is a rear view thereof;
 FIG. 4 is a side view thereof;
 FIG. 5 is another side view thereof;
 FIG. 6 is a top view thereof;
 FIG. 7 is a bottom view thereof; and,
 FIG. 8 is another side view thereof, as shown in a user environment.
 The broken lines illustrating portions of the cleaner are for environmental purposes only and form no part of the claimed design.

(56) **References Cited**

U.S. PATENT DOCUMENTS

- D194,025 S * 11/1962 Gantz D32/22
- D215,874 S * 11/1969 Averitt D32/18

1 Claim, 8 Drawing Sheets

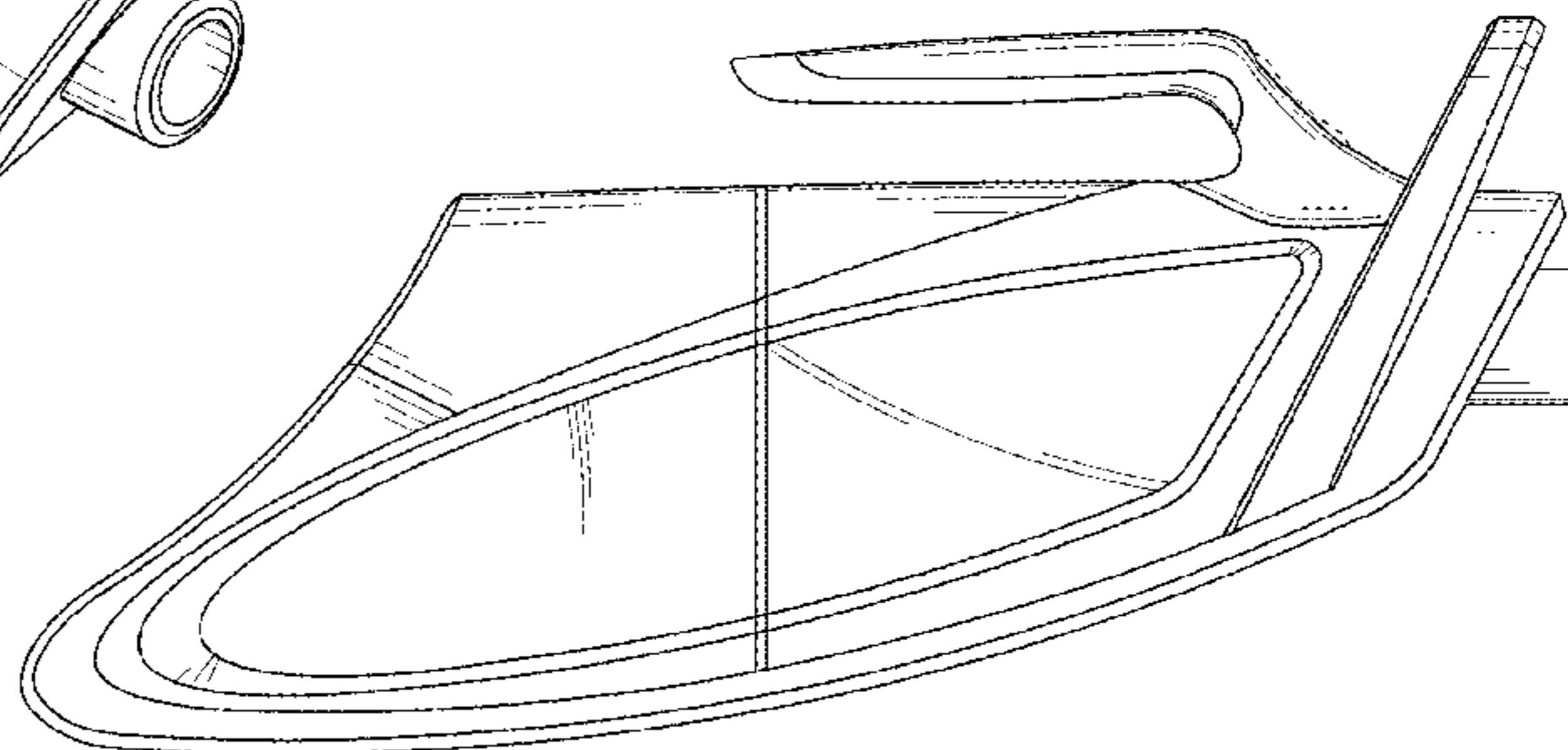
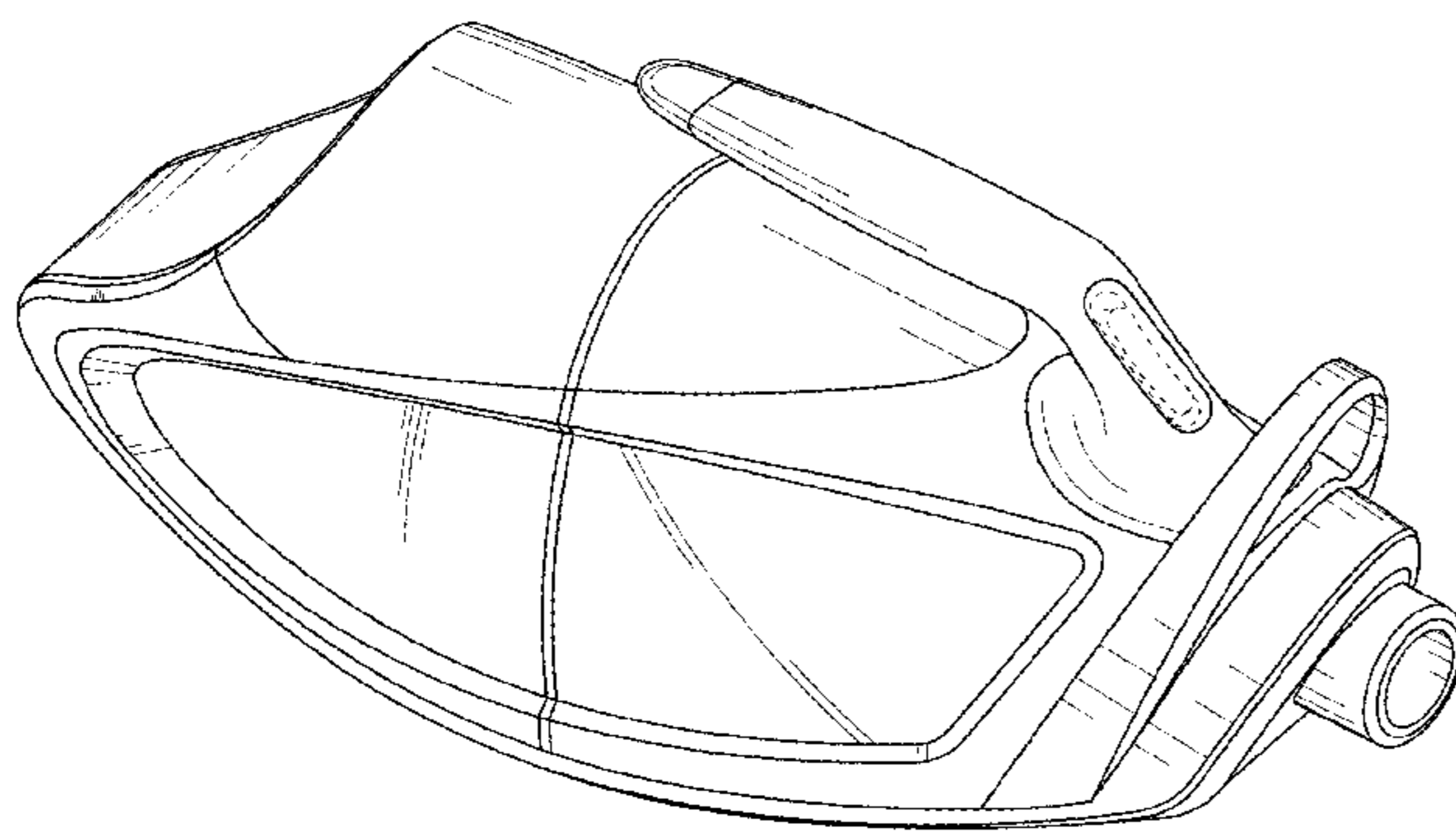


FIG. 1

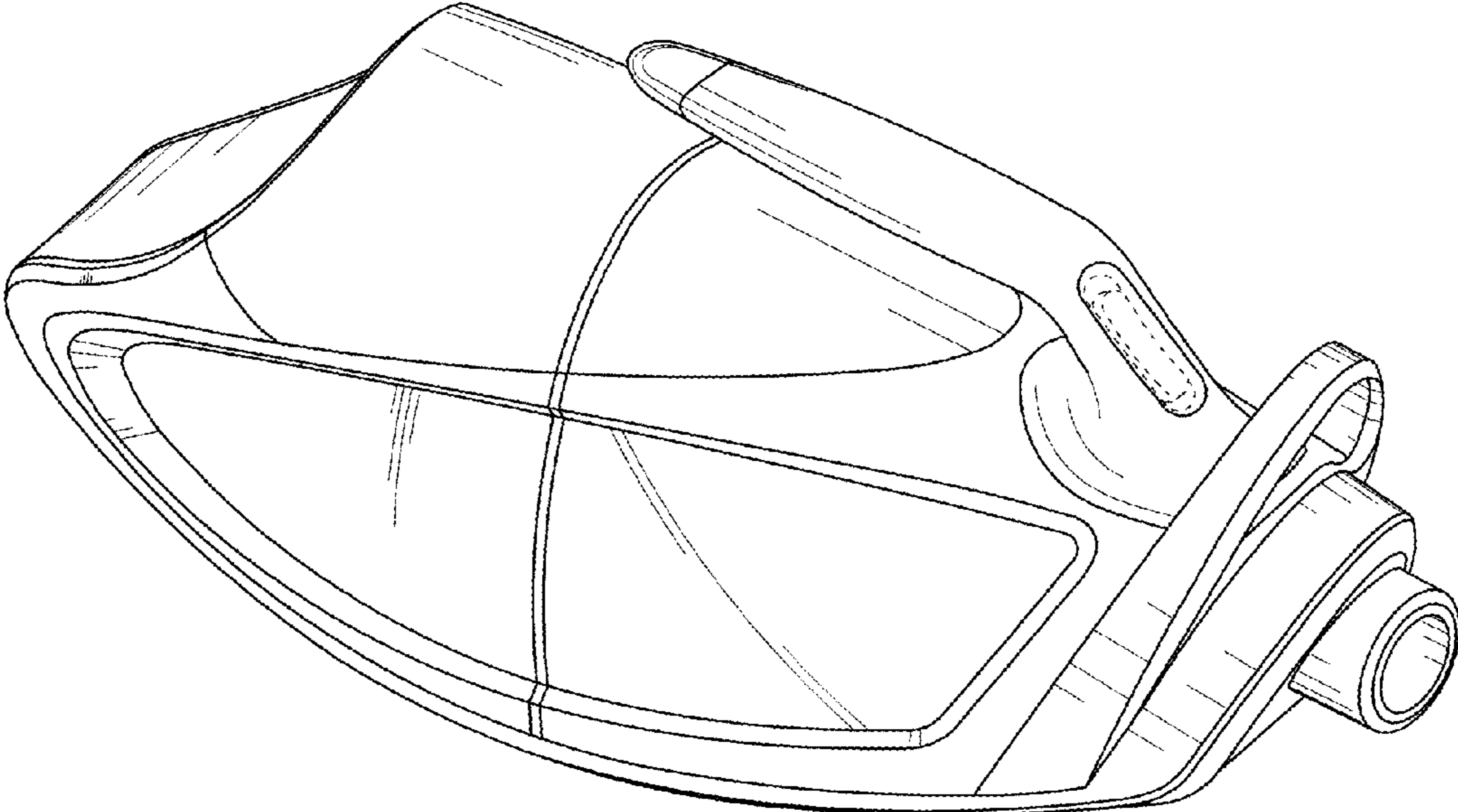


FIG. 2

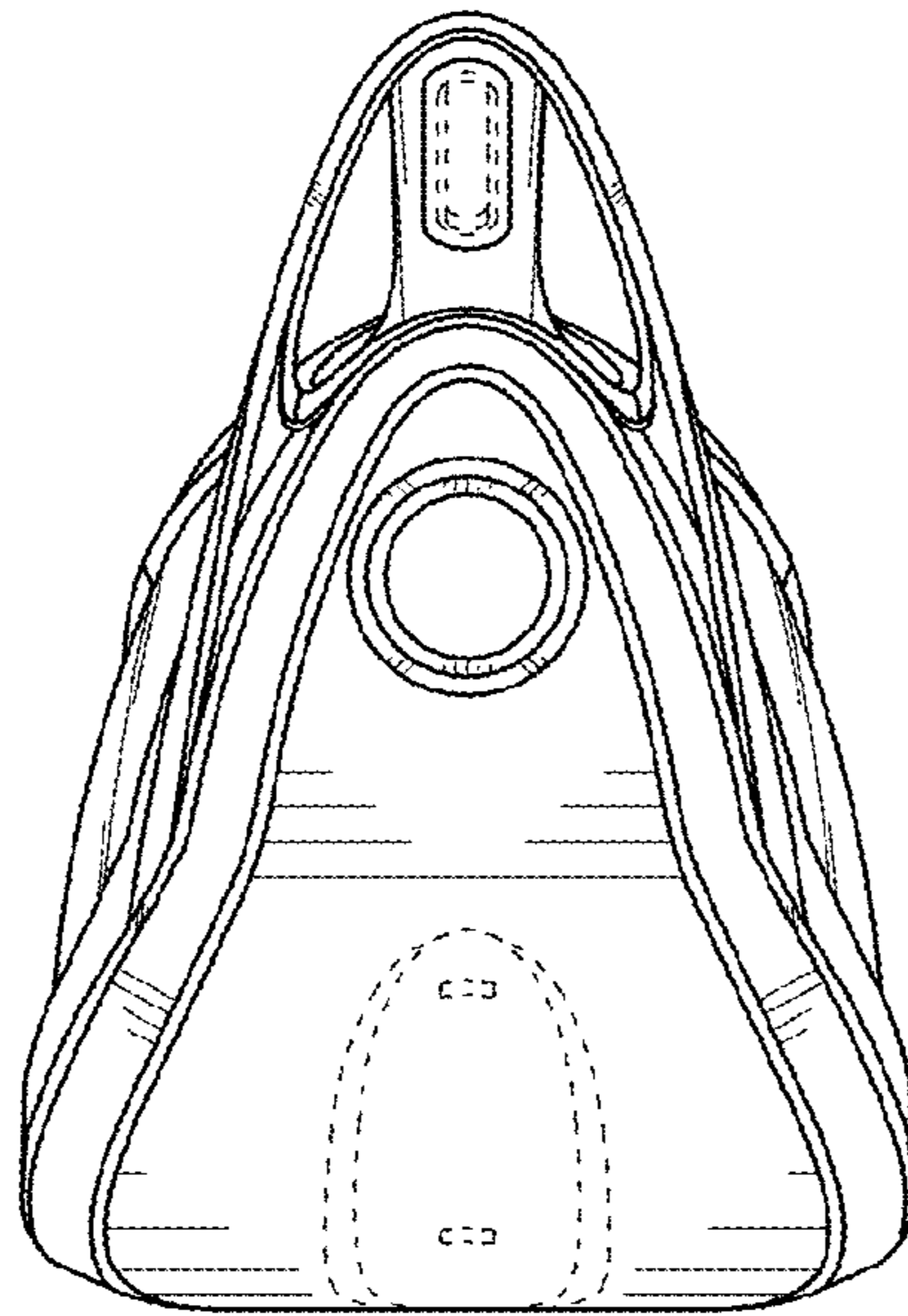


FIG. 3

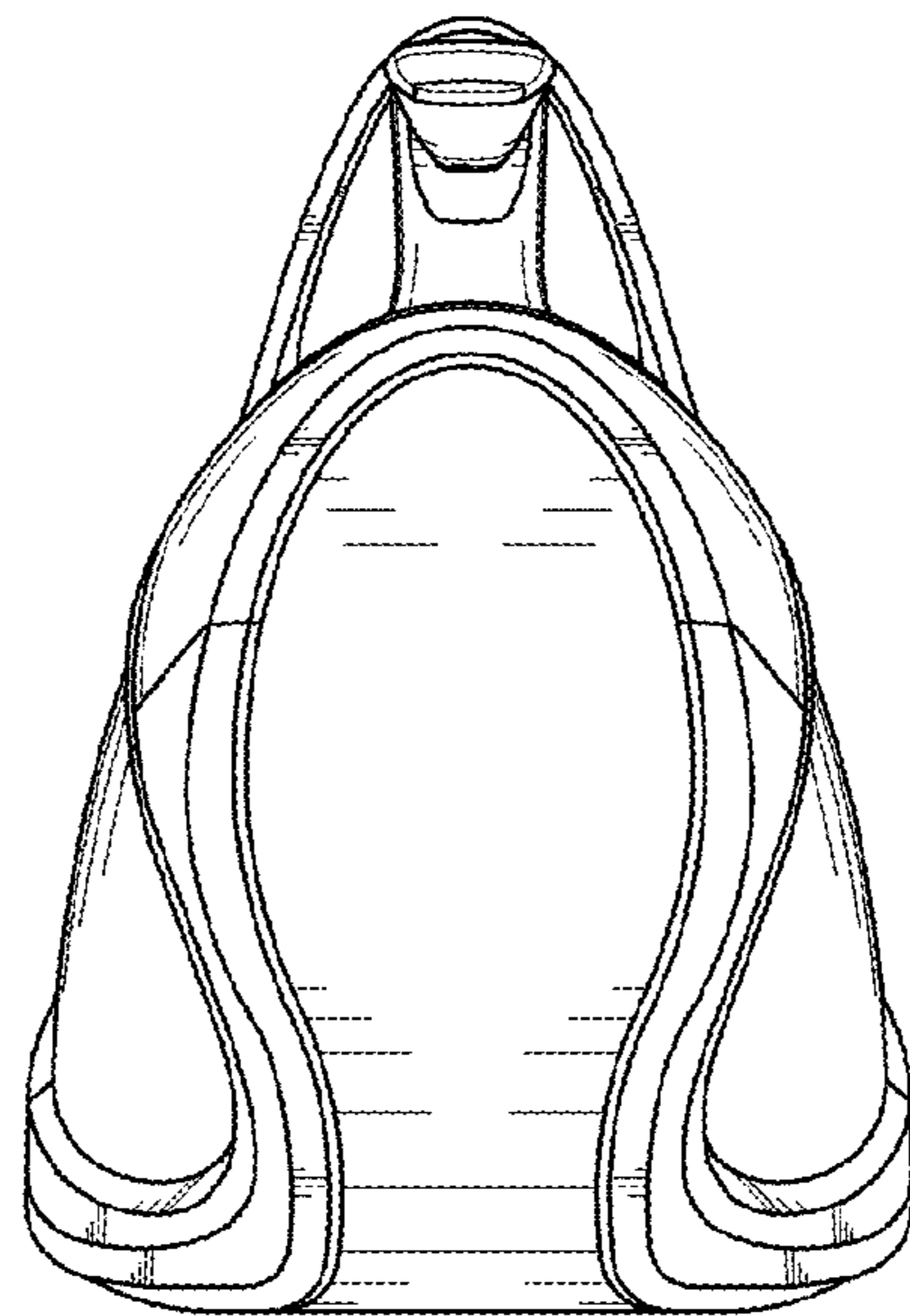


FIG. 4

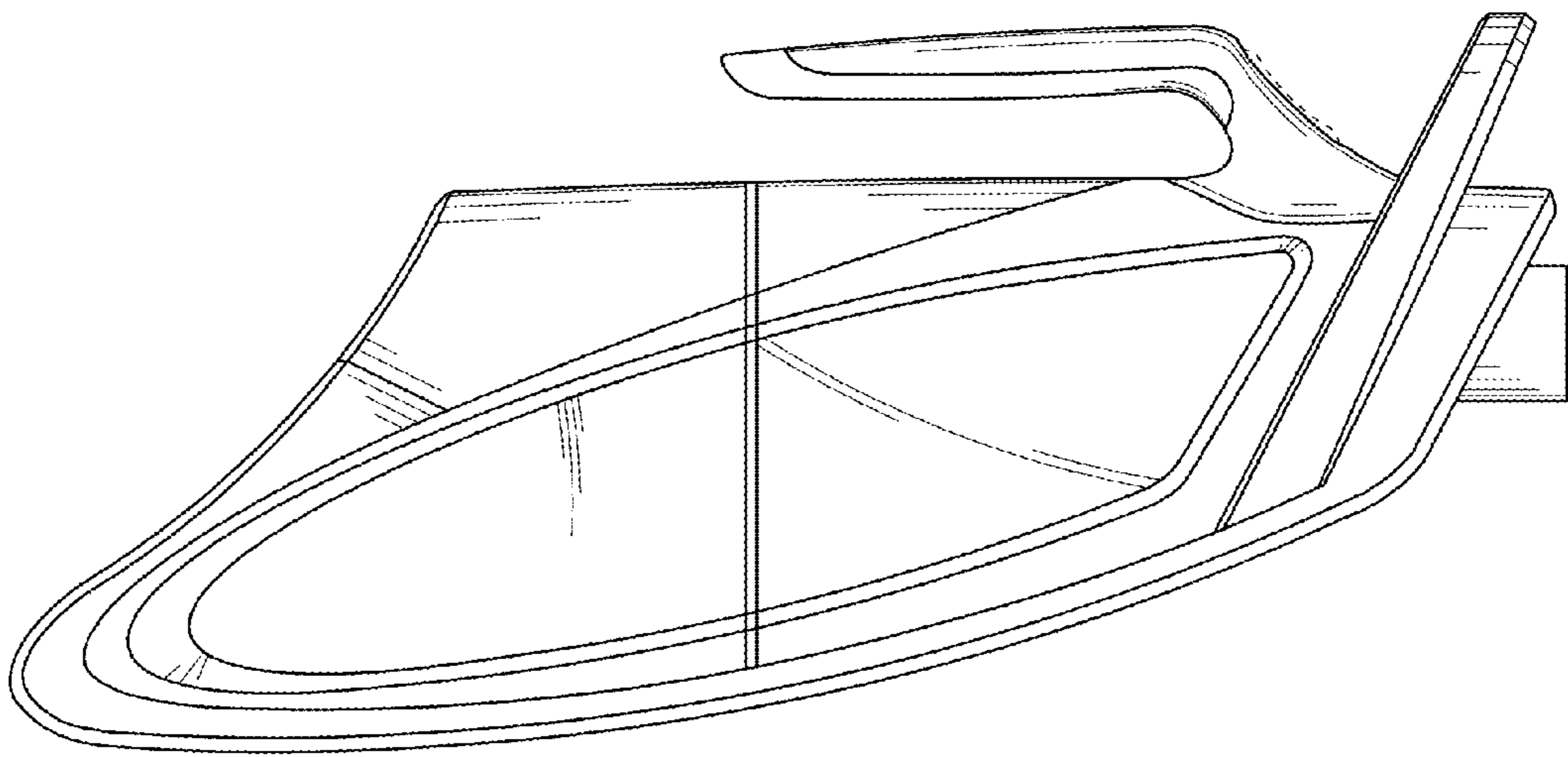


FIG. 5

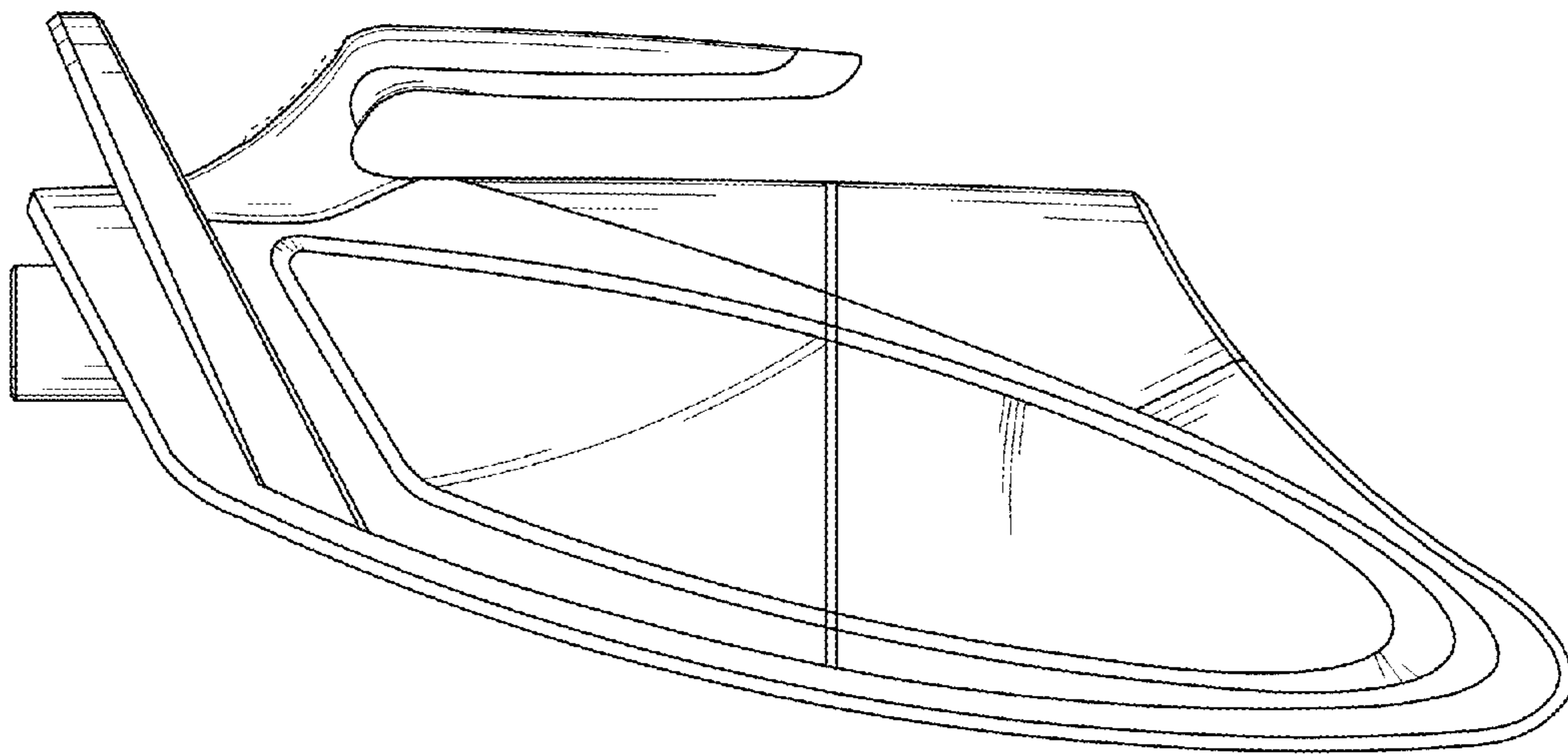


FIG. 6

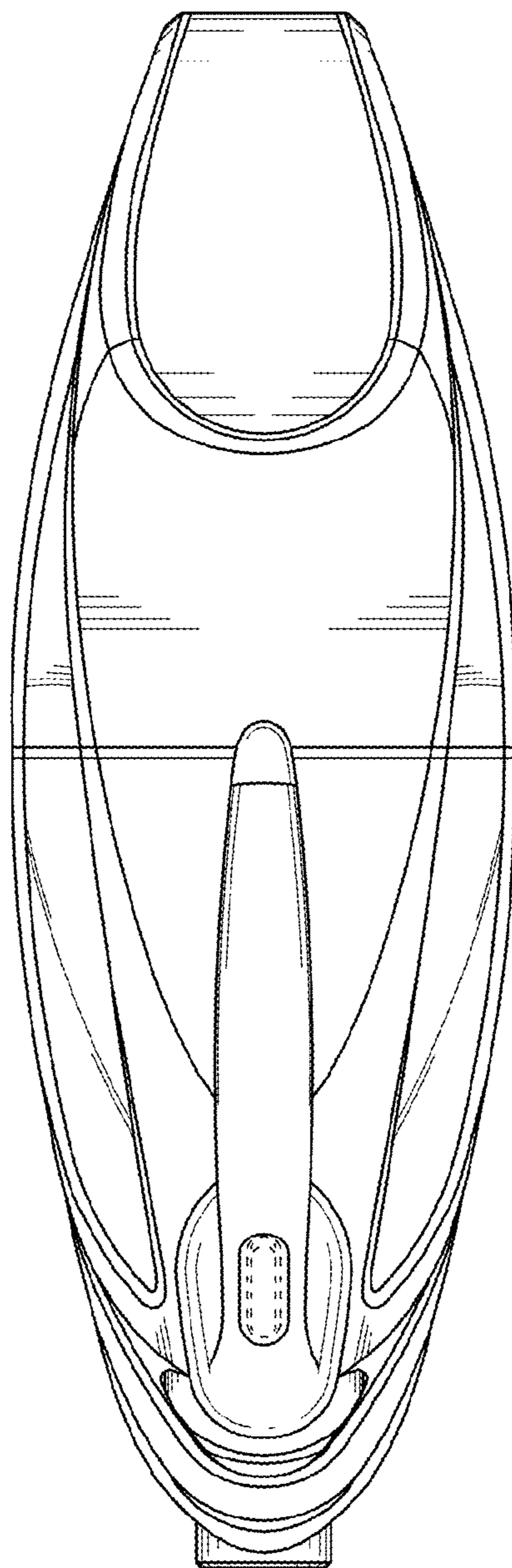


FIG. 7

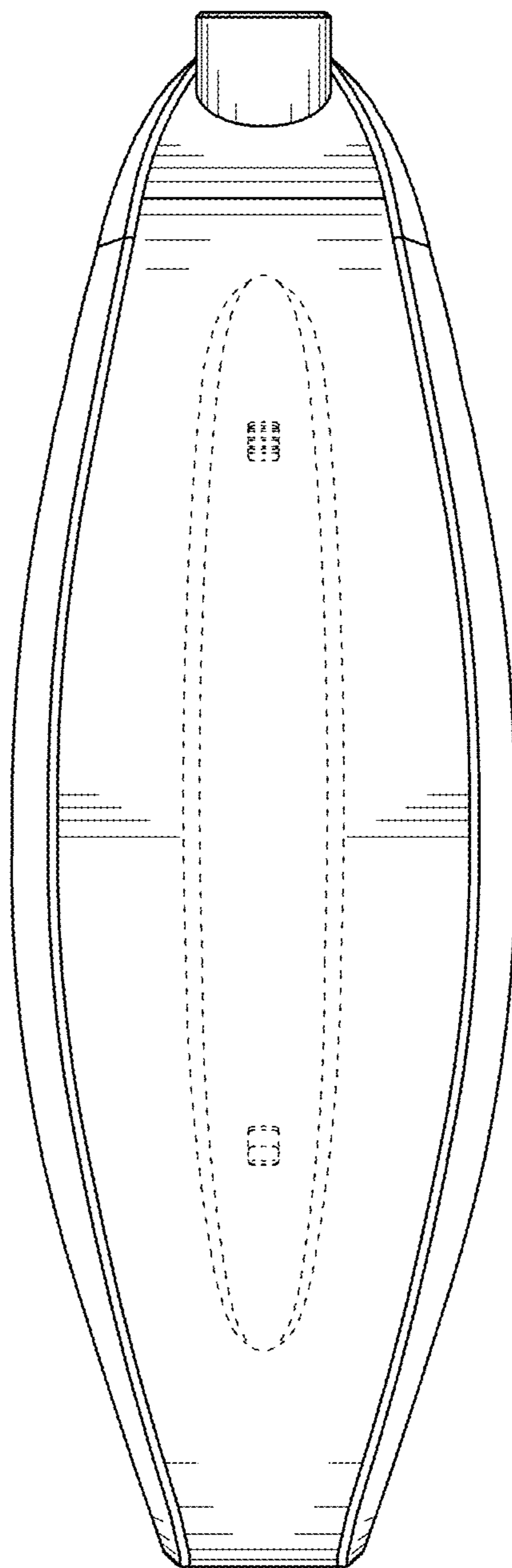


FIG. 8

