



US00D752830S

(12) **United States Design Patent**
Choi et al.

(10) **Patent No.:** **US D752,830 S**
(45) **Date of Patent:** **** Mar. 29, 2016**

(54) **WASHING MACHINE**

4,934,559 A * 6/1990 Putnam 220/377
D496,513 S * 9/2004 Tsuda et al. D32/8
D523,595 S * 6/2006 Carey et al. D32/6

(71) Applicant: **Samsung Electronics Co., Ltd.**,
Suwon-si, Gyeonggi-do (KR)

(Continued)

(72) Inventors: **Hyoung-sub Choi**, Seoul (KR);
Jung-Hoon Hwang, Yongin-si (KR);
Ki-Sang Yoon, Daejeon (KR); **Jae-Won Choi**,
Seoul (KR); **Tae-Hyoung Cho**,
Seoul (KR)

FOREIGN PATENT DOCUMENTS

CN 3038428 * 12/1995
JP D1390769 * 6/2010

(73) Assignee: **SAMSUNG ELECTRONICS CO., LTD.** (KR)

OTHER PUBLICATIONS

In a Dream World, Announced Jun. 8, 2011, [Site Visited Apr. 21, 2015] <http://megduerksen.typepad.com/whatevergiveaways/2011/06/in-a-dream-world.html>.*

(**) Term: **14 Years**

(Continued)

(21) Appl. No.: **29/469,305**

Primary Examiner — Eric Goodman

(22) Filed: **Oct. 9, 2013**

Assistant Examiner — Luqman McNeil

(30) **Foreign Application Priority Data**

(74) *Attorney, Agent, or Firm* — Cantor Colburn LLP

Apr. 10, 2013 (KR) 30-2013-0018628

(51) **LOC (10) Cl.** **15-05**

(52) **U.S. Cl.**
USPC **D32/6**

(58) **Field of Classification Search**
USPC D32/6, 8, 25; 68/3 R, 4, 5 R, 12.01,
68/12.07, 12.08, 212; 34/58, 87-88, 108,
34/130-131, 523-524, 595-597, 560;
220/377; 165/136; 219/407
See application file for complete search history.

(57) **CLAIM**

We claim, the ornamental design for a washing machine, as shown and described.

(56) **References Cited**

DESCRIPTION

U.S. PATENT DOCUMENTS

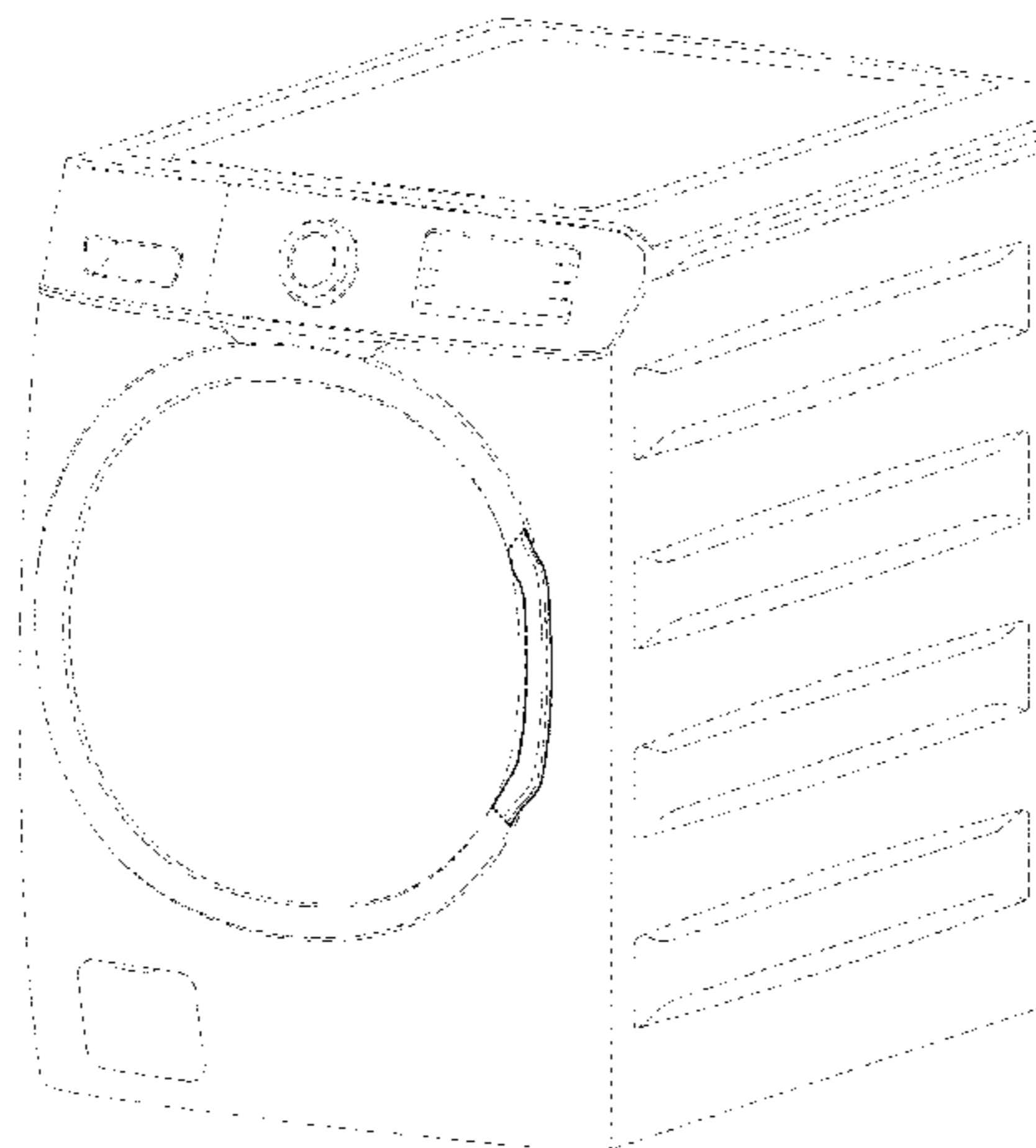
1,064,943 A * 6/1913 Tremoulhac 34/560
1,628,524 A * 5/1927 Becker 165/136
D186,996 S * 1/1960 Romme D32/6
3,082,310 A * 3/1963 Sakamoto 219/407
3,195,327 A * 7/1965 Cobb 68/12.01
3,308,552 A * 3/1967 Kaufman et al. 34/92

FIG. 1 is a perspective view of a washing machine, showing our new design in an exemplary embodiment;
FIG. 2 is a front elevation view thereof;
FIG. 3 is a rear elevation view thereof;
FIG. 4 is a side elevation view thereof;
FIG. 5 is a another side elevation view thereof;
FIG. 6 is a top plan view thereof; and,
FIG. 7 is a bottom plan view thereof.

The broken lines illustrating portions of the washing machine are for environmental purposes only and form no part of the claimed design.

In addition, the dash-dot-dash lines indicate boundary between the claimed subject matter including shading and the environmental subject matter shown in broken lines without shading and form no part of the claimed design.

1 Claim, 6 Drawing Sheets



(56)

References Cited

U.S. PATENT DOCUMENTS

D524,001 S * 6/2006 Carey et al. D32/6
 D542,987 S * 5/2007 Crookshanks D32/6
 D544,157 S * 6/2007 Crookshanks D32/25
 D549,894 S * 8/2007 Wilday D32/6
 D562,508 S * 2/2008 Shin D32/6
 D565,809 S * 4/2008 Eicher et al. D32/6
 D575,913 S * 8/2008 Jeon et al. D32/6
 D589,215 S * 3/2009 Cho et al. D32/6
 D589,661 S * 3/2009 Oh et al. D32/6
 D592,367 S * 5/2009 Crookshanks D32/25
 D607,619 S * 1/2010 Kim D32/6
 D613,009 S * 3/2010 DeSalvo et al. D32/6
 D618,863 S * 6/2010 Jeon et al. D32/6
 D618,865 S * 6/2010 Cline et al. D32/6
 D618,866 S * 6/2010 Lee D32/6
 D618,871 S * 6/2010 DeSalvo et al. D32/25

D619,313 S * 7/2010 Cline et al. D32/25
 D620,650 S * 7/2010 Lee D32/6
 D622,918 S * 8/2010 Choi et al. D32/25
 D625,476 S * 10/2010 Lee et al. D32/6
 D625,889 S * 10/2010 Lee et al. D32/6
 D626,299 S * 10/2010 Lee et al. D32/6
 D631,214 S * 1/2011 Ying D32/6
 D635,727 S * 4/2011 Jeon et al. D32/6
 7,950,256 B2 * 5/2011 Grimm et al. 68/12.27
 D649,722 S * 11/2011 Chung et al. D32/6
 8,215,134 B2 * 7/2012 Ashrafzadeh et al. 68/12.04

OTHER PUBLICATIONS

Samsung WF455ARGS, Announced May 10, 2012, [Site Visited Apr. 21, 2015] <http://www.build.com/samsung-wf455args/s815133>.*

* cited by examiner

FIG. 1

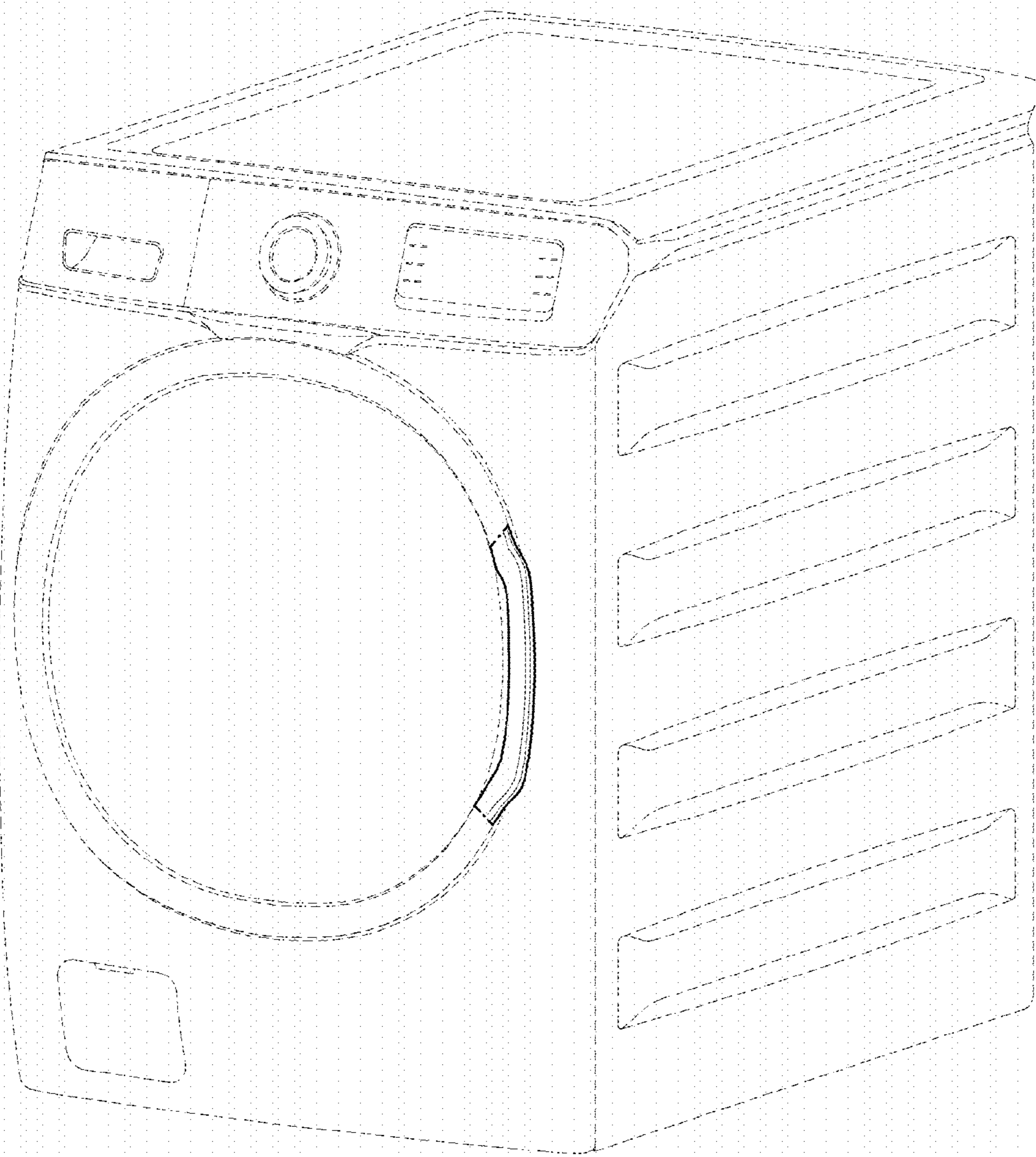


FIG. 2

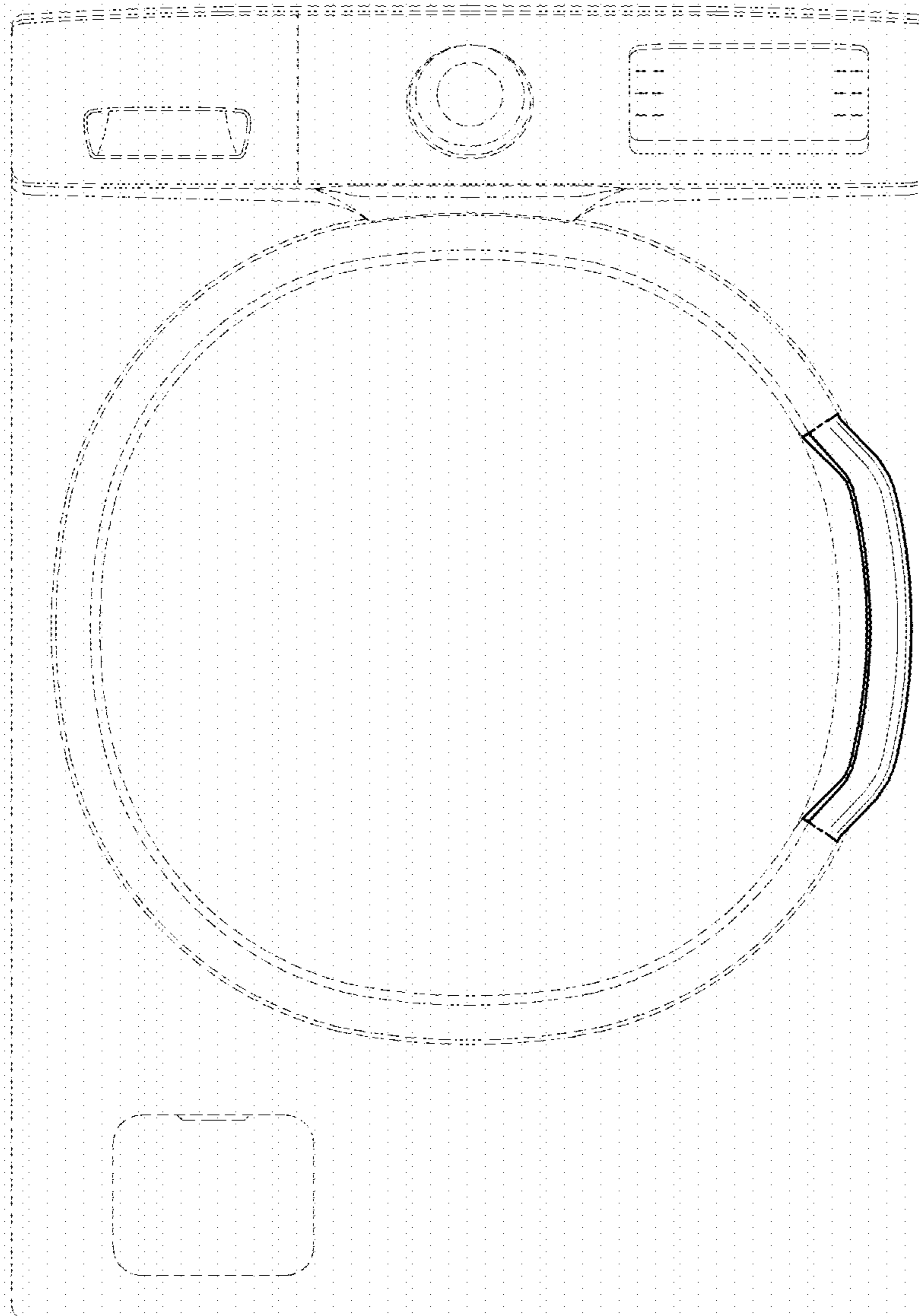


FIG. 3

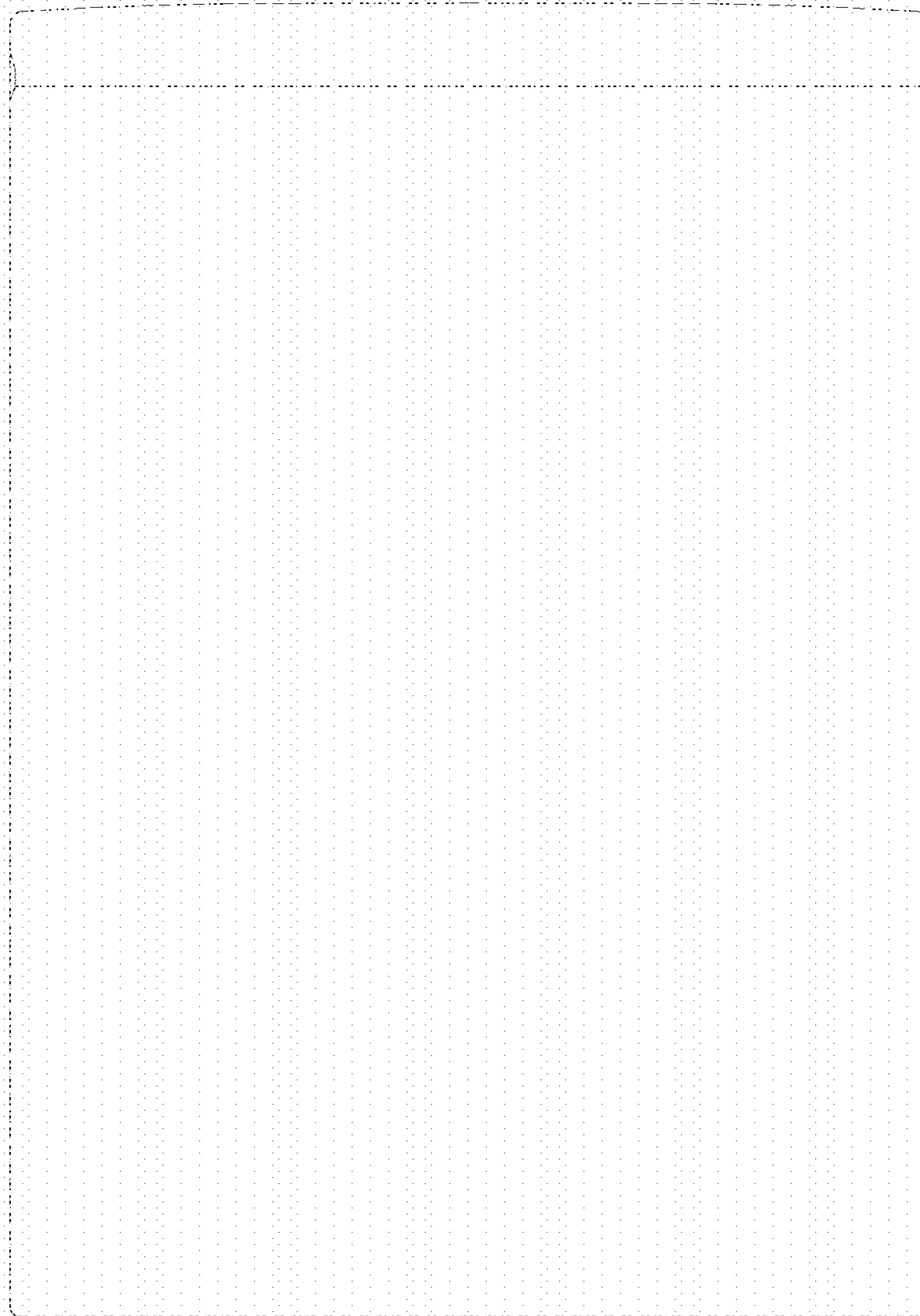


FIG. 4

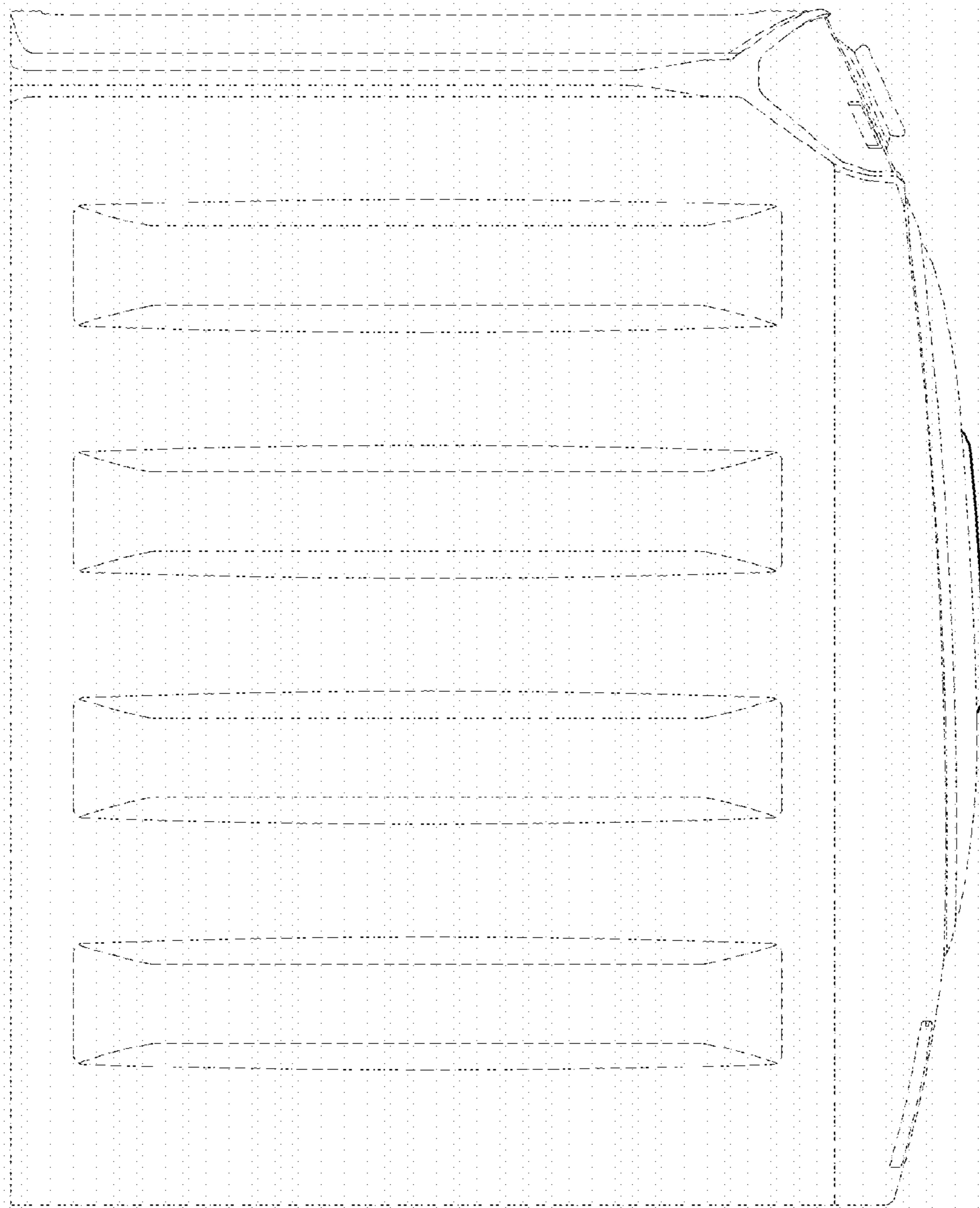


FIG. 5

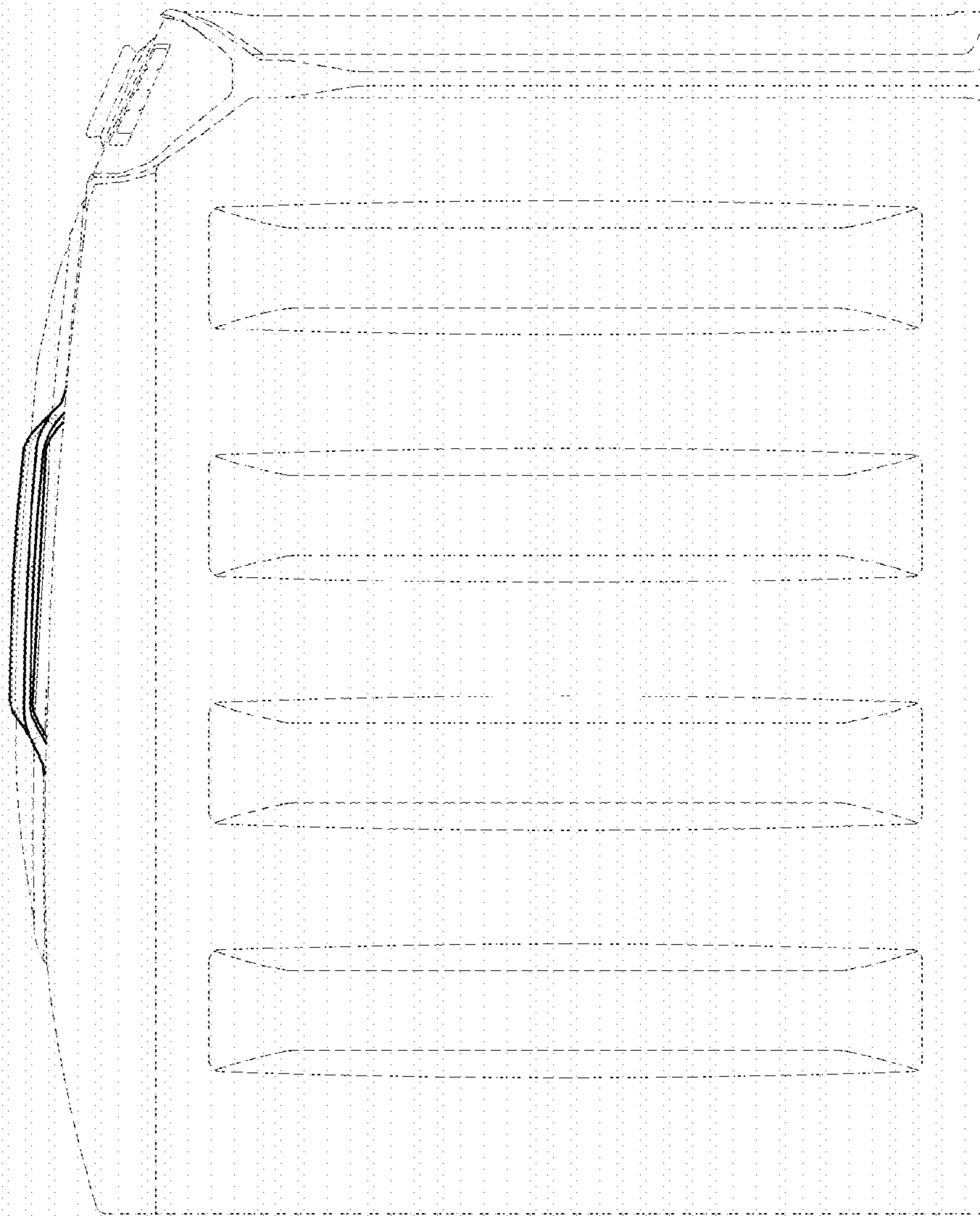


FIG. 6

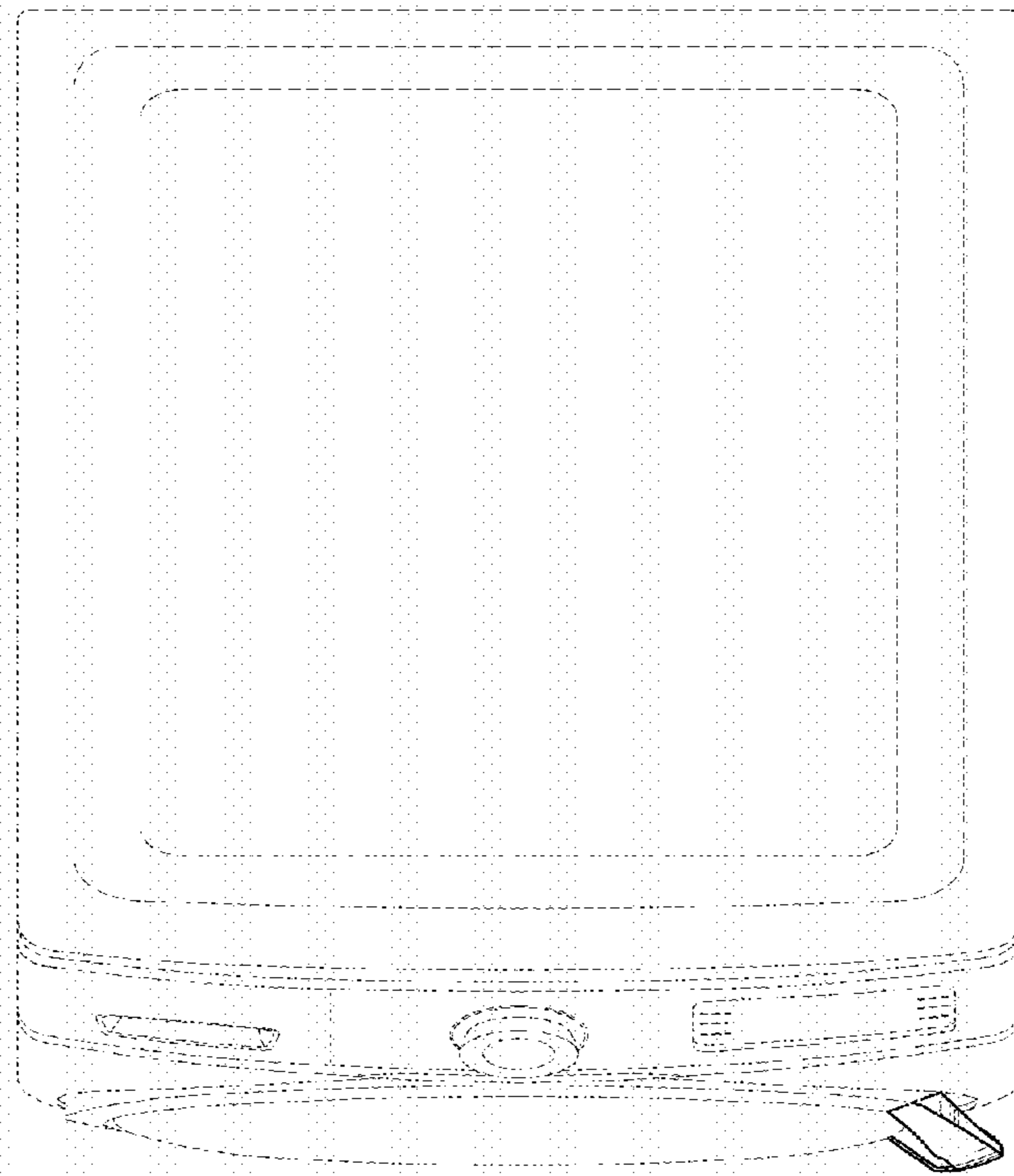


FIG. 7

