



US00D752827S

(12) **United States Design Patent**
Colayco

(10) **Patent No.:** **US D752,827 S**
(45) **Date of Patent:** **** Mar. 29, 2016**

(54) **ULTRAVIOLET LIGHT BASED ARTICLE
CLEANING APPARATUS**

(71) Applicant: **Jose Benjamin Colayco**, Irvine, CA
(US)

(72) Inventor: **Jose Benjamin Colayco**, Irvine, CA
(US)

(**) Term: **14 Years**

(21) Appl. No.: **29/462,049**

(22) Filed: **Jul. 30, 2013**

(51) **LOC (10) Cl.** **24-01**

(52) **U.S. Cl.**
USPC **D32/1**

(58) **Field of Classification Search**
USPC D32/1, 25; 422/24, 3, 5; D7/605, 619.1,
D7/338, 351, 402; D3/203.1, 272, 273,
D3/281; D24/216-217; D9/432
CPC A61L 2/10
See application file for complete search history.

(56) **References Cited**

U.S. PATENT DOCUMENTS

2,898,437	A *	8/1959	McFarland	99/340
4,014,456	A *	3/1977	Echtle	220/783
D292,469	S *	10/1987	Nakagawa et al.	D7/350.4
D295,356	S *	4/1988	Nambu et al.	D7/351
D296,239	S	6/1988	David	
D304,281	S *	10/1989	Naito et al.	D7/351
D305,856	S *	2/1990	Iwahashi	D7/351
D313,919	S *	1/1991	Naito et al.	D7/351
D327,423	S *	6/1992	Turner-Adams	D9/655
5,213,776	A	5/1993	Maniero et al.	
D352,866	S *	11/1994	Kindley et al.	D7/351
D401,850	S *	12/1998	Srinaul	D9/423
D413,986	S	9/1999	Lin	
6,461,568	B1	10/2002	Eckhardt	
D505,546	S *	5/2005	Lau	D3/273
D543,453	S *	5/2007	Fu et al.	D3/302
D576,484	S *	9/2008	Koza et al.	D9/432

(Continued)

FOREIGN PATENT DOCUMENTS

CN 301091698 * 12/2009
CN 301113820 * 1/2010

(Continued)

OTHER PUBLICATIONS

Amazon.com: Martina UV Sterilizer: Beauty, review date Oct. 17, 2011, online, http://www.amazon.com/BR-Beauty-Martina-UV-Sterilizer/dp/B0042TXIU4/ref=sr_1_34?ie=UTF&qid=1422140607&sr=8-34&keywords=UV+sterilizer, [site visited Jan. 24, 2015 6:05:01 PM].*

(Continued)

Primary Examiner — John Windmuller

Assistant Examiner — John R Yeh

(74) *Attorney, Agent, or Firm* — Innovation Capital Law Group, LLP; Vic Lin

(57) **CLAIM**

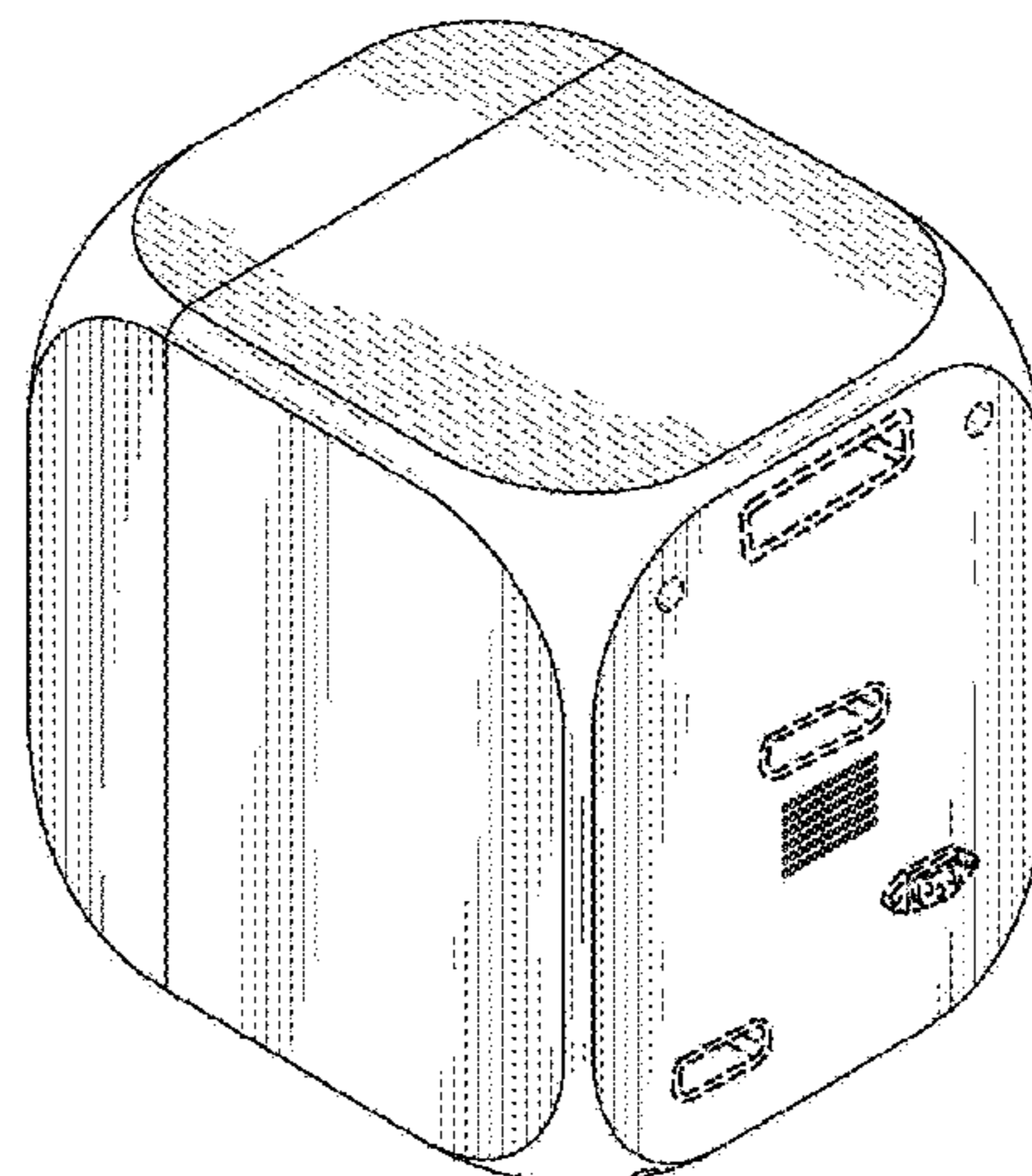
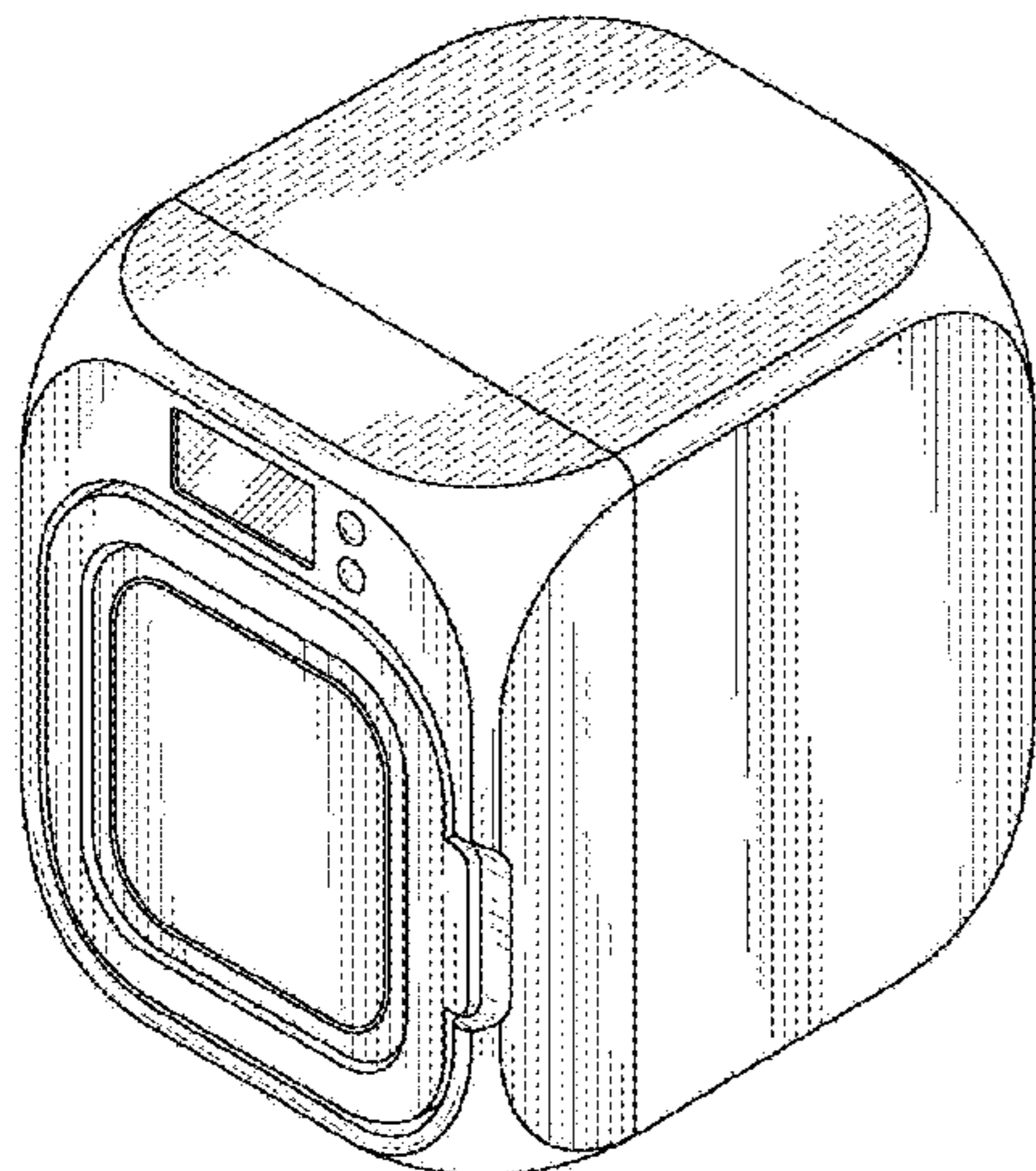
I claim the ornamental design for an ultraviolet light based article cleaning apparatus, as shown and described.

DESCRIPTION

FIG. 1 is a perspective view of a ultraviolet light based article cleaning apparatus showing the new design; FIG. 2 is an perspective view thereof; FIG. 3 is a front elevation view thereof; FIG. 4 is a rear elevation view thereof; FIG. 5 is a side elevation view thereof; FIG. 6 is a side elevation view thereof; FIG. 7 is a top plan view thereof; FIG. 8 is a bottom plan view thereof; and, FIG. 9 is a perspective view thereof, in use, with an interior light turned on.

The recesses on the back of the ultraviolet light based article cleaning apparatus are shown in broken lines for illustrative purposes only and form no part of the claimed design.

1 Claim, 5 Drawing Sheets



(56)

References Cited

U.S. PATENT DOCUMENTS

D576,486	S	*	9/2008	Koza	D9/432
D608,600	S	*	1/2010	Wood et al.	D7/605
D642,928	S	*	8/2011	Lundin	D9/560
D663,118	S	*	7/2012	Zalewski et al.	D3/273
D670,402	S	*	11/2012	Shibata	D24/216
2002/0026295	A1	*	2/2002	Sato et al.	703/1
2007/0031281	A1		2/2007	Stevens		
2010/0326484	A1	*	12/2010	Wu	134/56 R
2014/0271370	A1	*	9/2014	Sirotin et al.	422/105

FOREIGN PATENT DOCUMENTS

CN	301362499	*	10/2010
CN	301873374	*	3/2012
CN	301968958	*	6/2012

OTHER PUBLICATIONS

Innovative Med Inc Multi Wave Light Therapy, Hydrabrasion, Cellulage, Eye Protection, Nail Dryers, website copyright 2011, online, http://www.imibeauty.com/html/hot_towel_sterilizers.html, [site visited Jan. 24, 2015 6:27:39 PM].*

Multi-Purpose Sterilizer China Disinfecting Cabinets, website copyright 2011, online, http://www.weiku.com/products/13520516/Multi_Purpose_Sterilizer.html, [site visited Jan. 24, 2015 6:24:07 PM].*

Tea-set disinfection cabinet China Disinfecting Cabinets, website copyright 2011, online, http://www.weiku.com/products/13520518/Tea_set_disinfection_cabinet.html, [site visited Jan. 24, 2015 6:22:22 PM].*

<http://www.ebay.com/itm/RAYQUEEN-Baby-Feeding-Bottle-UV-Sterilizer-Sanitizer-Green-/300682552658> printed on Oct. 23, 2013, pp. 1-9.

<http://www.ebay.com/itm/UPANG-UP301-Baby-Feeding-Bottle-Sterilizer-UV-Disinfection-Low-Infrared-Temp-/151017698527?pt=Feeding&var=&hash=item23295b34df> printed on Oct. 23, 2013, pp. 1-3.

http://www.ebay.com/itm/Hanil-HBS-920MF-Baby-Bottle-UV-Sterilizer-/200927392521?pt=LH_DefaultDomain_0&hash=item2ec834b309 printed on Oct. 23, 2013, pp. 1-3.

<http://www.ebay.com/itm/NEW-Bluezone-CM-1-UV-Rays-Sterilizer-For-Baby-Feeding-Bottle-Daily-Supplies-/321200756840?pt=Feeding&hash=item4ac90e9868> printed on Oct. 23, 2013, pp. 1-3.

* cited by examiner

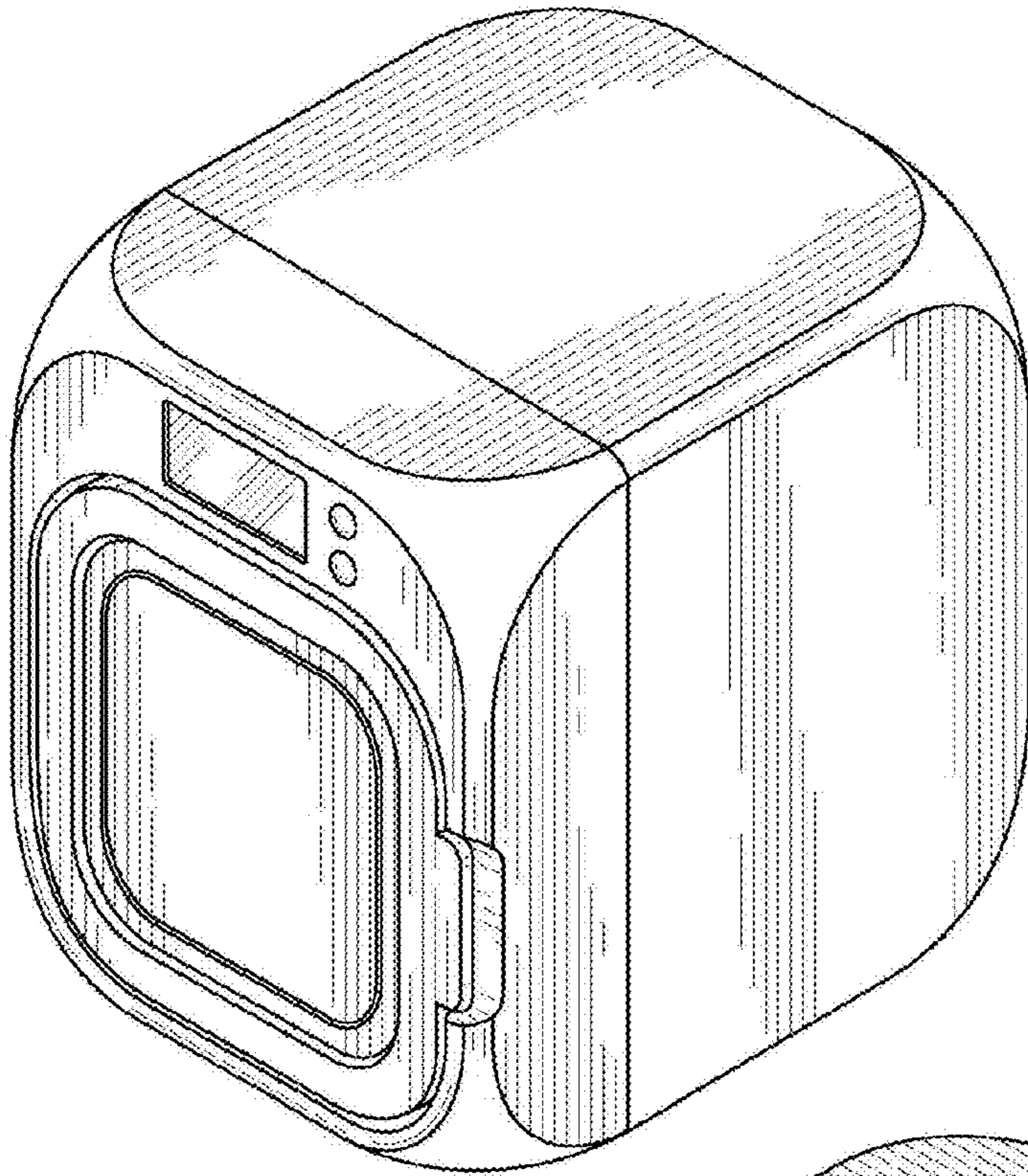


FIG. 1

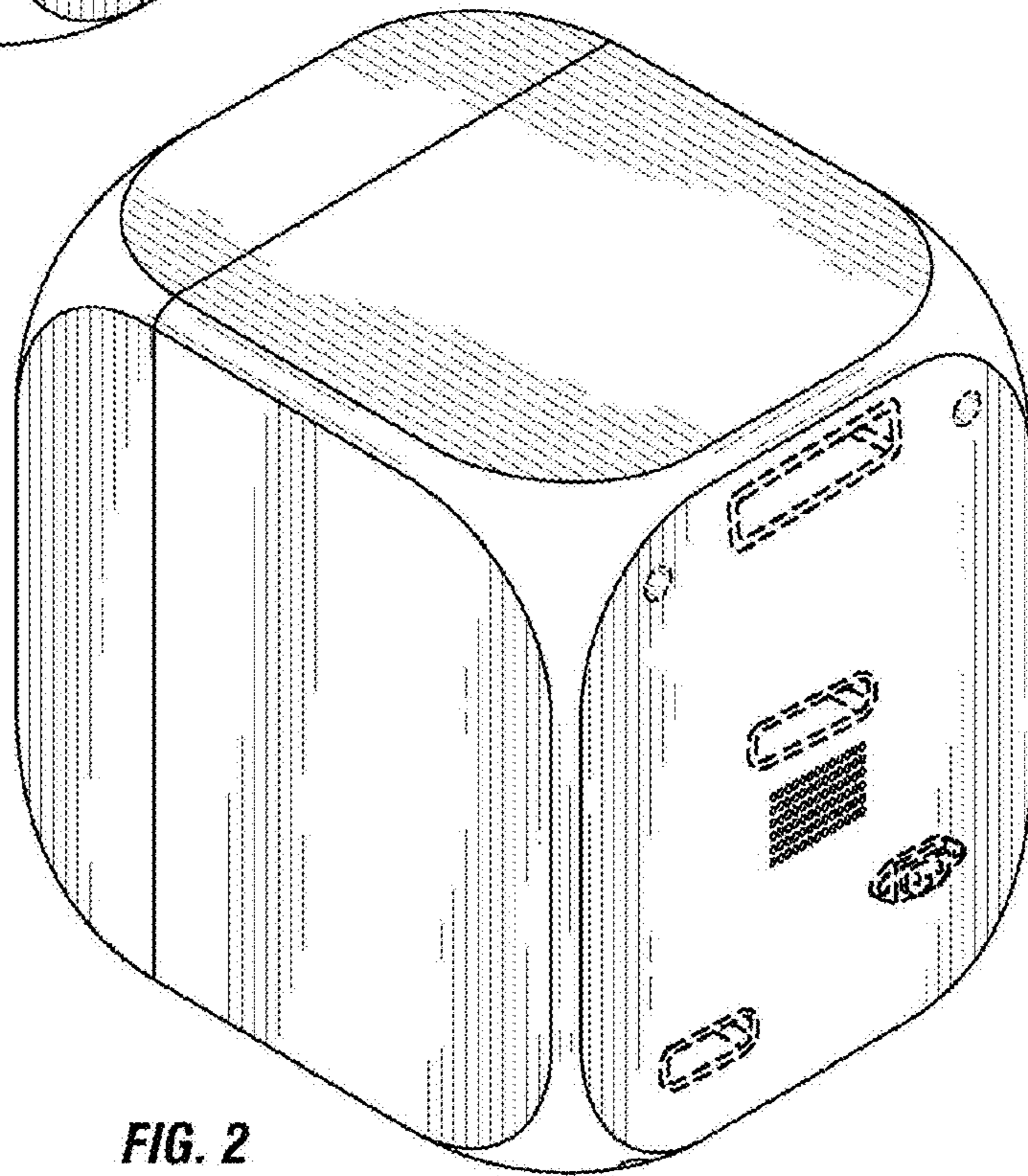


FIG. 2

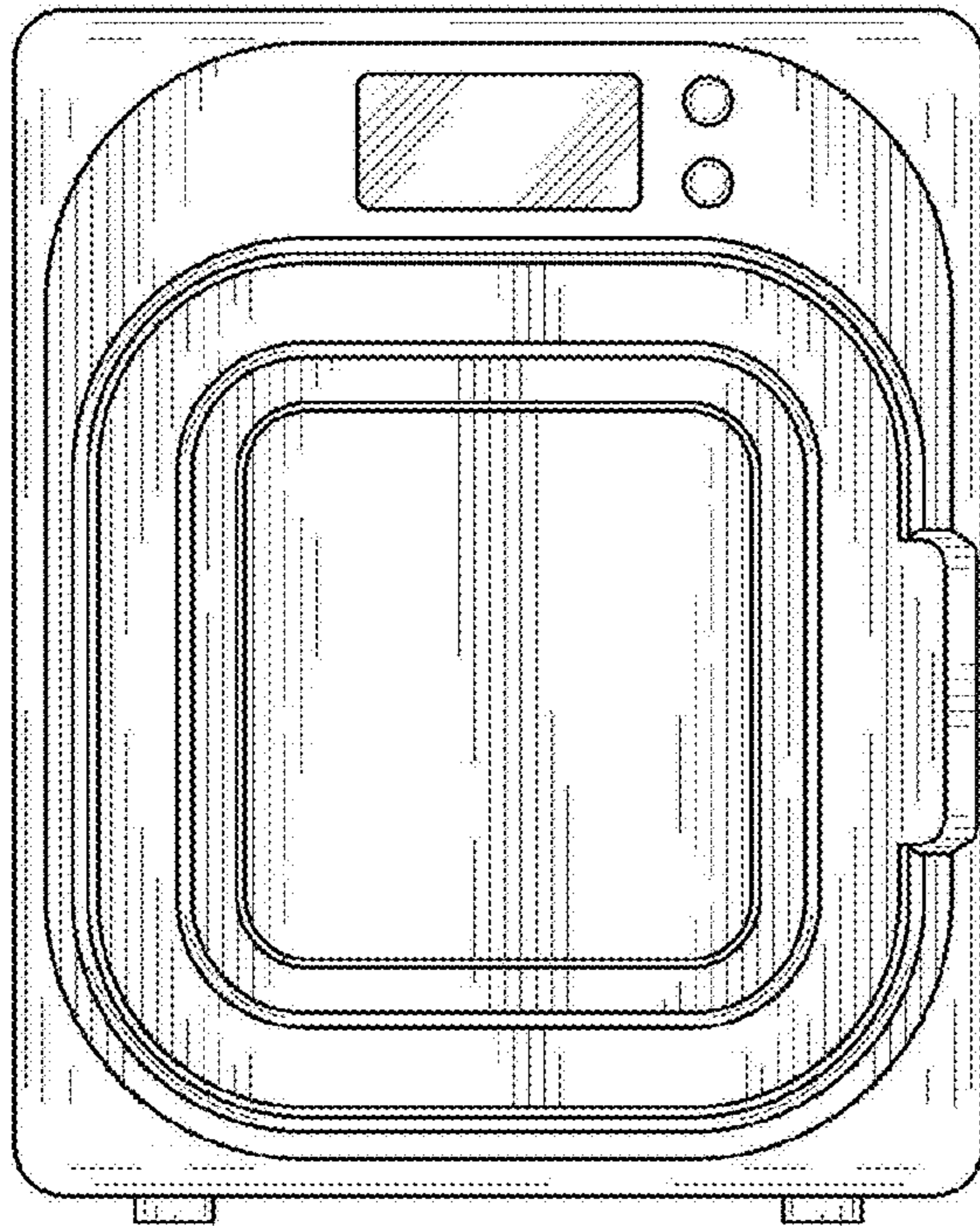


FIG. 3

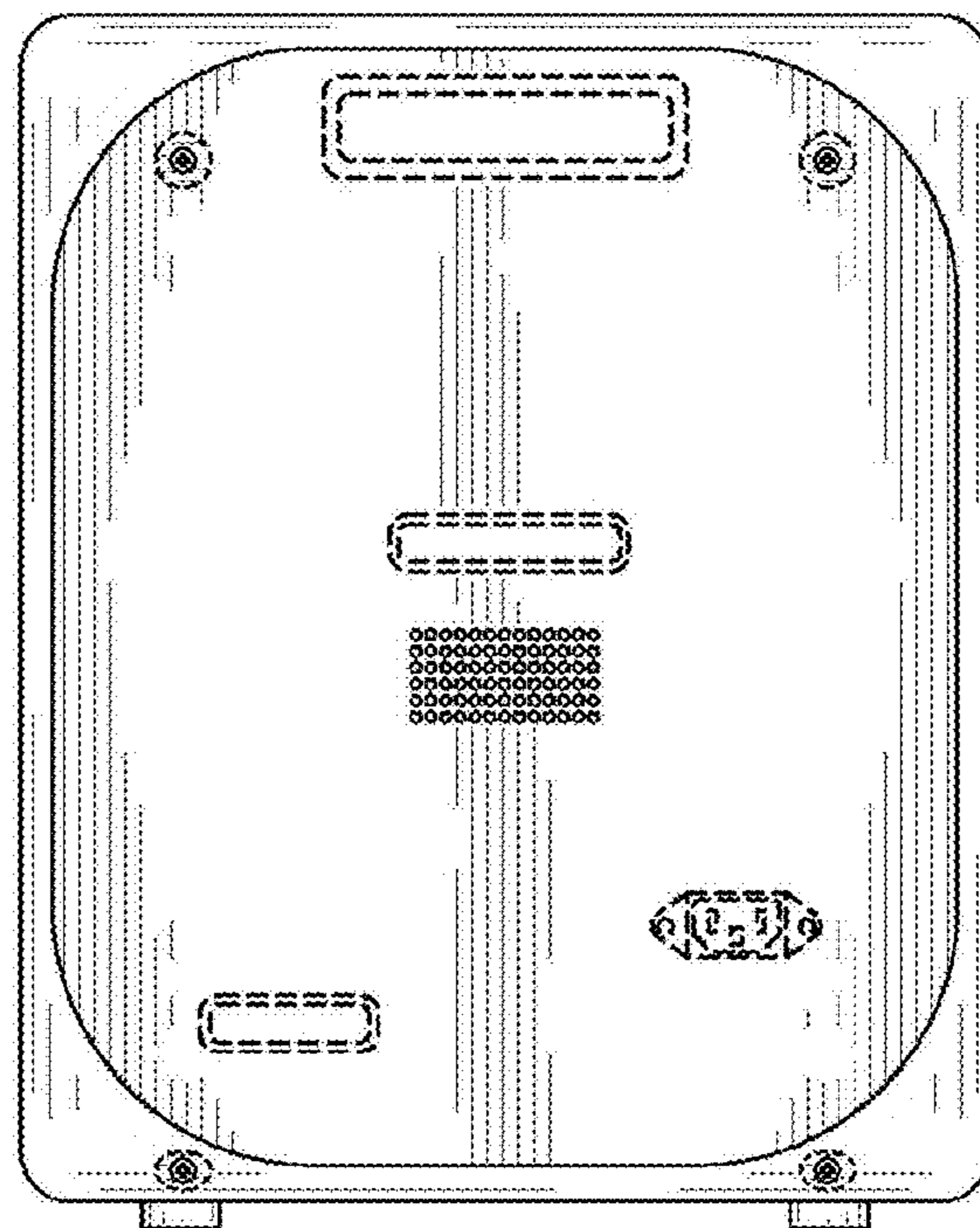


FIG. 4

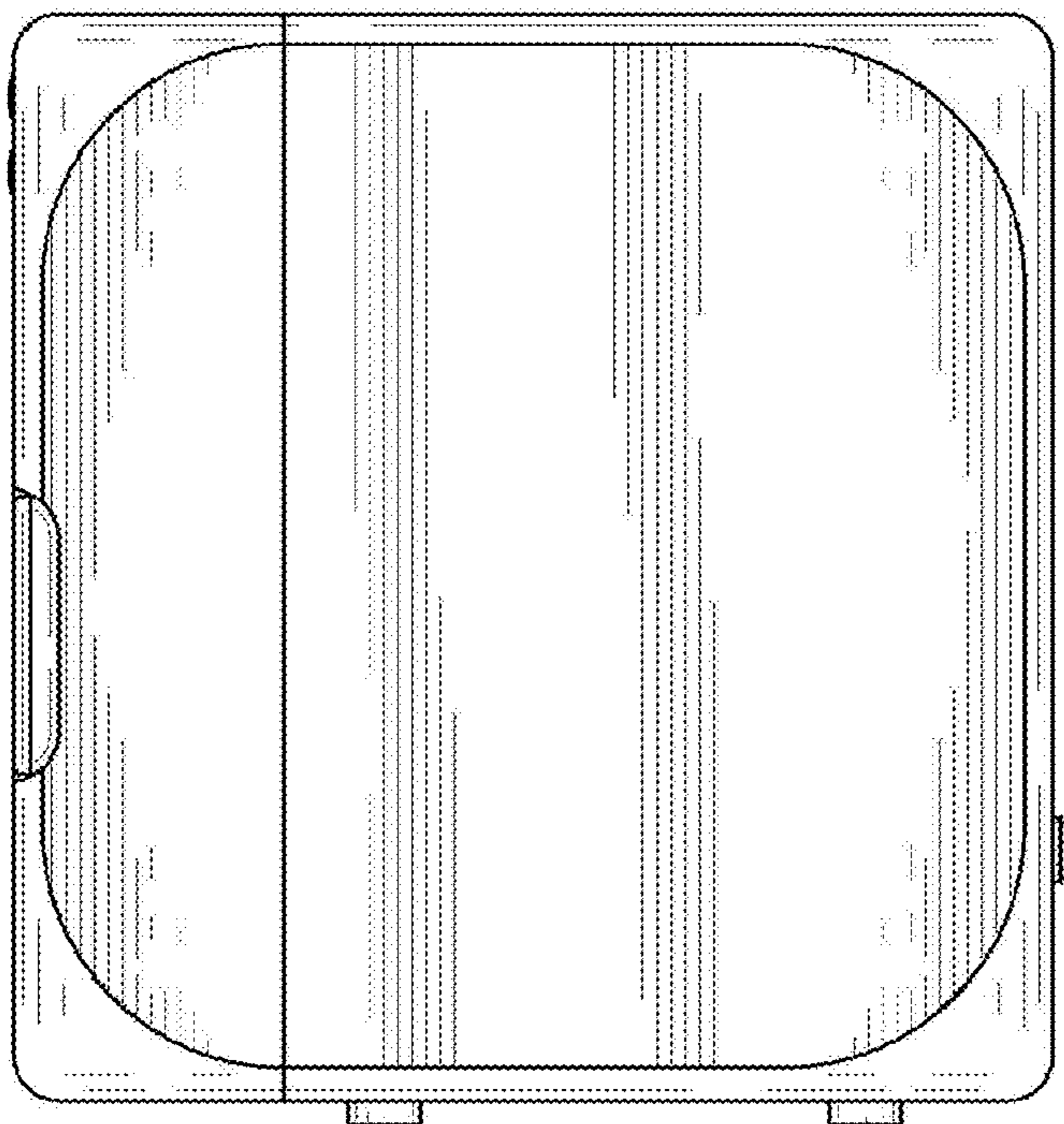


FIG. 5

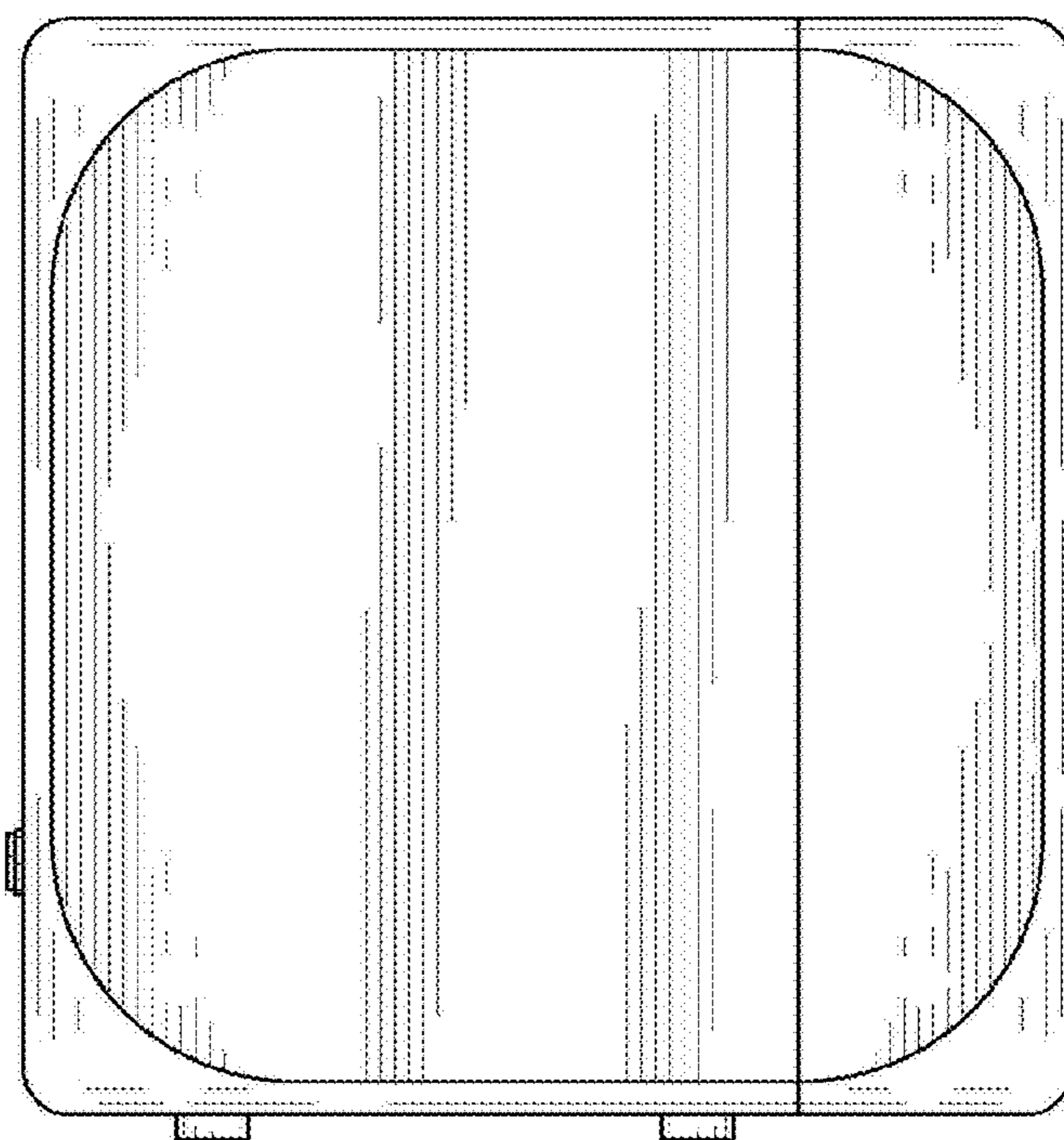


FIG. 6

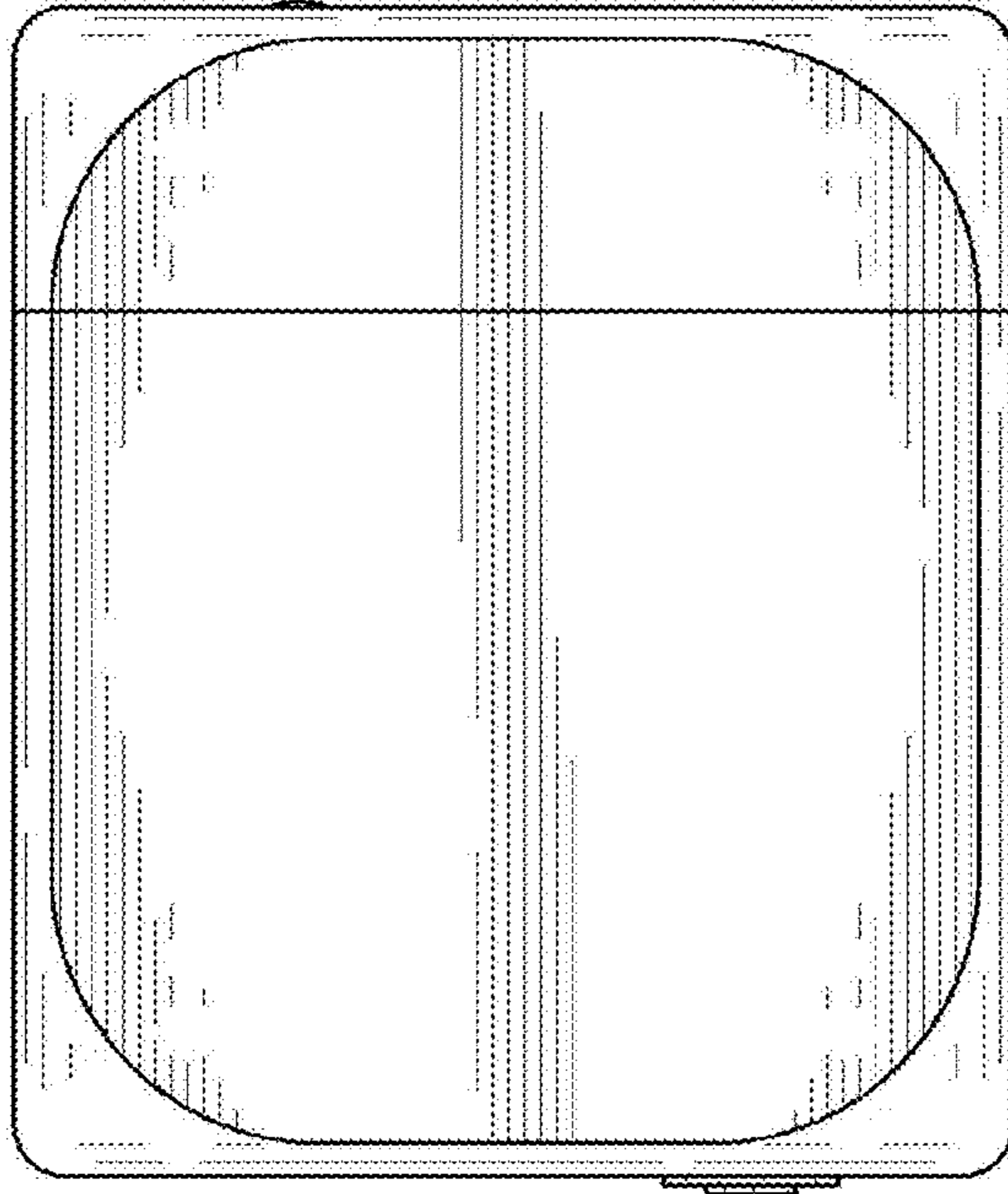


FIG. 7

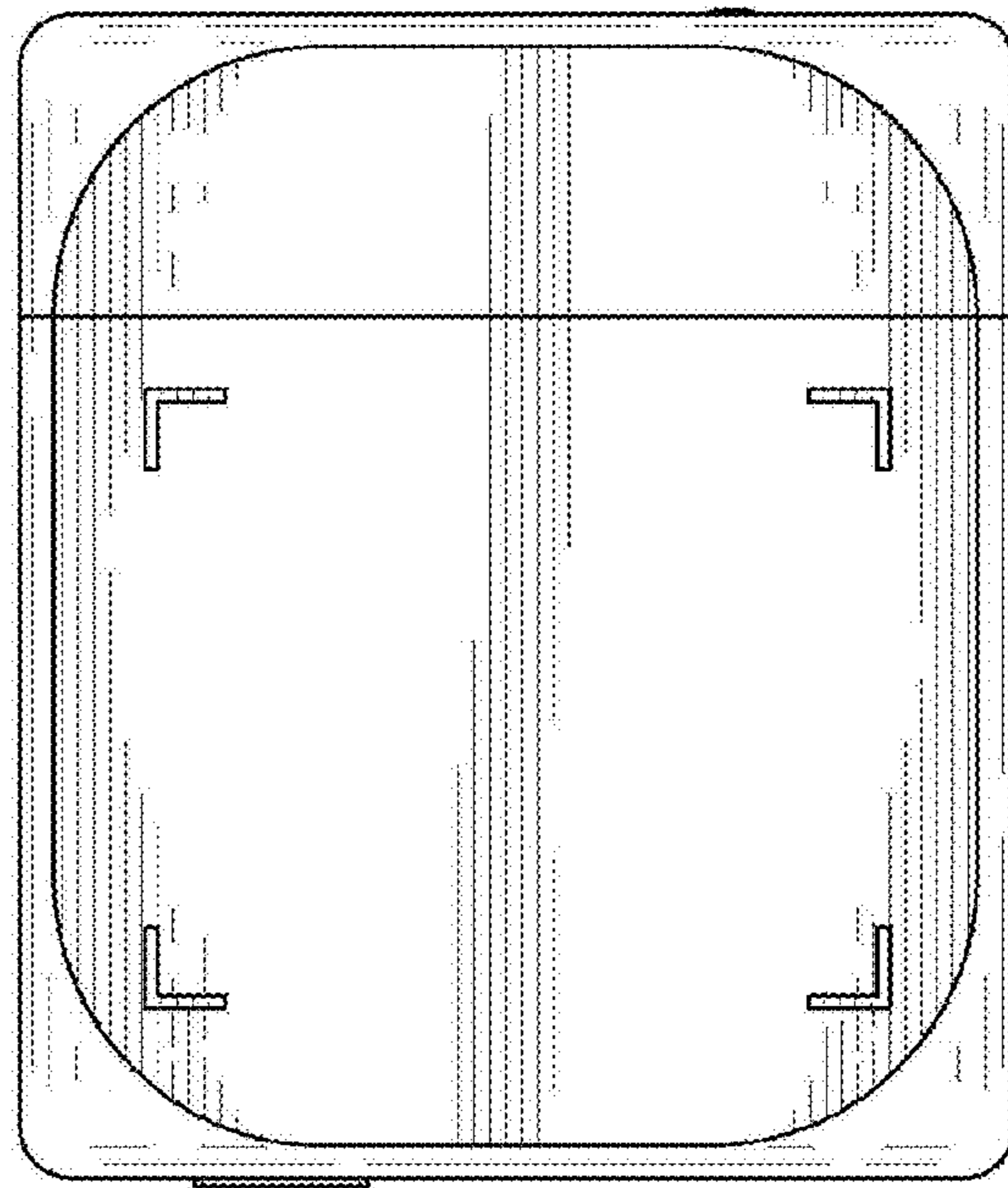


FIG. 8

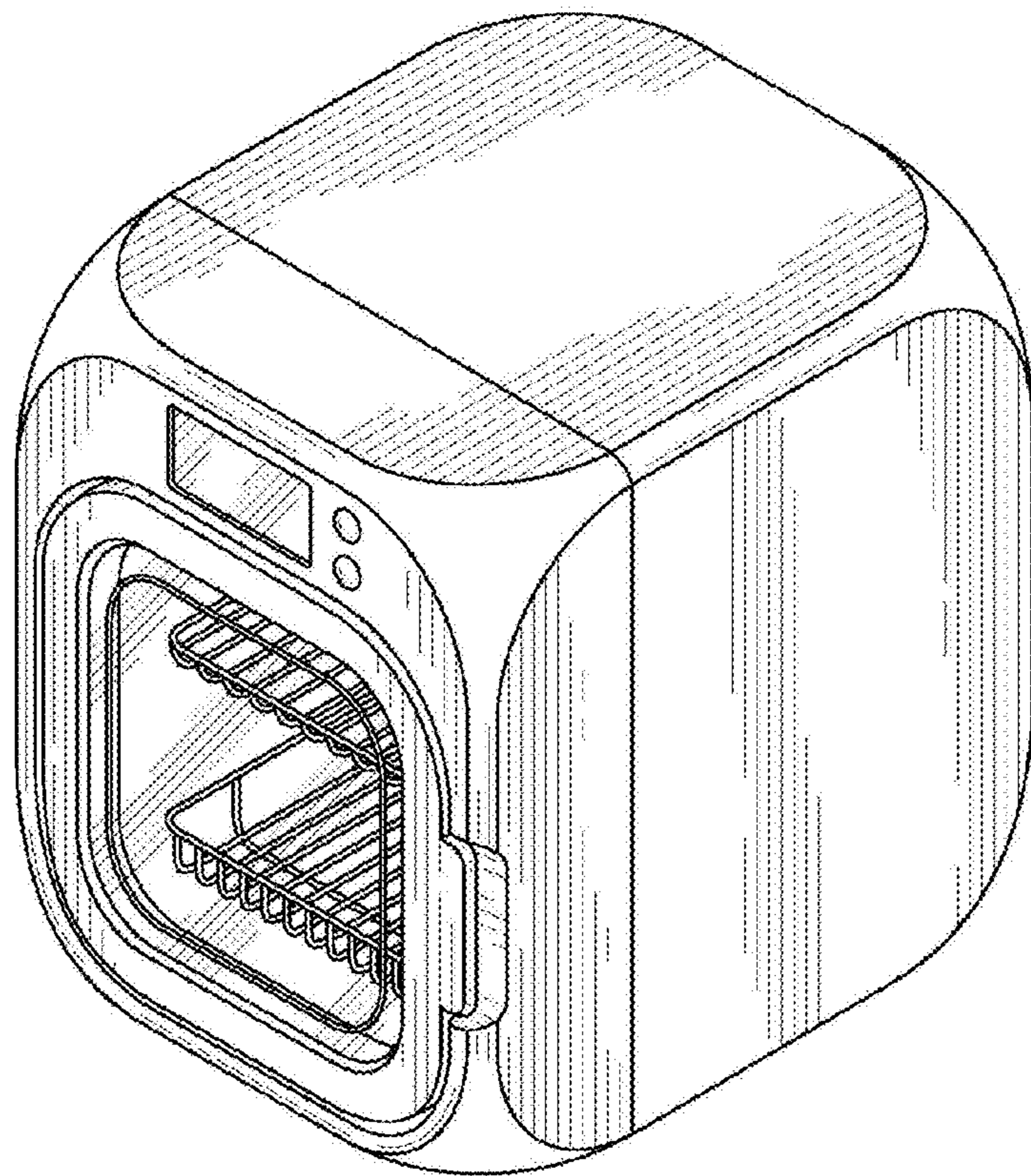


FIG. 9