



US00D752826S

(12) **United States Design Patent**
Gibbons

(10) **Patent No.:** **US D752,826 S**
(45) **Date of Patent:** **** Mar. 29, 2016**

(54) **ANIMAL WATER BOWL**

(71) Applicant: **Heyrex Limited**, Wellington (NZ)

(72) Inventor: **John Gibbons**, Wellington (NZ)

(73) Assignee: **Heyrex Limited**, Karori, Wellington (NZ)

(**) Term: **14 Years**

(21) Appl. No.: **29/521,471**

(22) Filed: **Mar. 24, 2015**

(30) **Foreign Application Priority Data**

Mar. 17, 2015 (NZ) 420035

(51) **LOC (10) Cl.** **30-03**

(52) **U.S. Cl.**
USPC **D30/132**

(58) **Field of Classification Search**

USPC D30/123, 129, 132, 121; 119/69.5, 673, 119/57.8, 68, 74, 61.57, 78-81, 61.4, 57.9, 119/51.5, 61.5, 72, 475; 47/66.6, 39, 67, 47/83; 239/280, 200, 281, 280.5, 273, 239/16-32; 4/644, 627, 638; D7/558; D11/144, 145, 153; D99/5, 24; 27/1; D23/201, 292, 204, 205, 214-216; 248/127, 132, 137, 138, 158, 910; 215/10; D6/353, 352, 484, 360, 480, D6/488; 219/521; 329/442, 459; 99/452, 99/483; 40/406, 407; 261/29, 106, 73; 137/560, 563, 801; 55/385.2; 417/527, 417/313; 431/292-294, 289; 362/101; D26/6, 9
CPC A01K 7/00; A01K 7/02; A01K 7/06; A01K 7/04; A01K 7/005; A01K 7/022; A01K 7/025; A01K 7/027; A01K 5/0216; A01K 39/02; F04B 23/00; F04B 23/02; F04B 23/021; F04B 23/026; B05B 17/08; B05B 17/085; B01D 35/30; Y10T 137/86035; Y10T 137/8376; Y10T 137/85954-137/85978

See application file for complete search history.

(56) **References Cited**

U.S. PATENT DOCUMENTS

D200,626 S *	3/1965	Barnes	D30/129
3,324,834 A *	6/1967	McKinstry	A01K 7/027
			119/73
D383,571 S *	9/1997	Frodsham	D30/108
6,101,974 A *	8/2000	Frohlich	A01K 7/00
			119/51.5
D465,884 S *	11/2002	Ross	D30/129
7,849,817 B1 *	12/2010	Warganich	A01K 7/02
			119/74
D692,623 S *	10/2013	Lipscomb	D30/121
D695,972 S *	12/2013	Lipscomb	D30/132
D704,388 S *	5/2014	Fang	D30/132
D704,389 S *	5/2014	Fang	D30/132
D724,274 S *	3/2015	Ylisassi	D30/122
D733,366 S *	6/2015	Poisson	D30/132
2010/0101499 A1 *	4/2010	Gibson	A01K 7/005
			119/61.5
2013/0019809 A1 *	1/2013	McCallum	A01K 63/045
			119/75
2014/0069341 A1 *	3/2014	Lipscomb	A01K 7/02
			119/74

(Continued)

Primary Examiner — Susan Moon Lee

(74) *Attorney, Agent, or Firm* — Collard & Roe, P.C.

(57) **CLAIM**

The ornamental design for an animal water bowl, as shown and described.

DESCRIPTION

FIG. 1 shows a front left perspective view of an animal water bowl.

FIG. 2 shows a back right isometric view thereof;

FIG. 3 shows a bottom view thereof;

FIG. 4 shows a top view thereof;

FIG. 5 shows a right elevational view thereof;

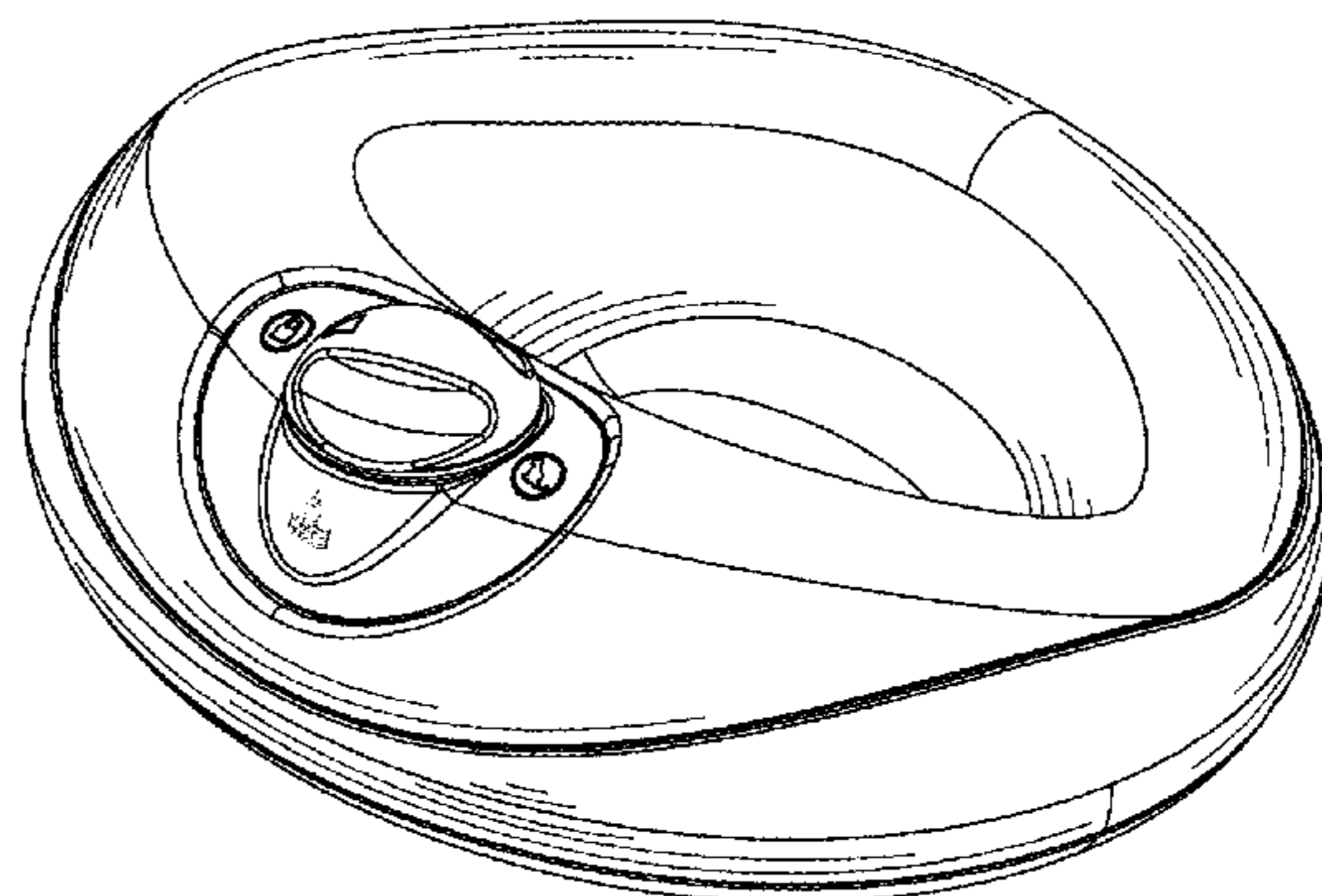
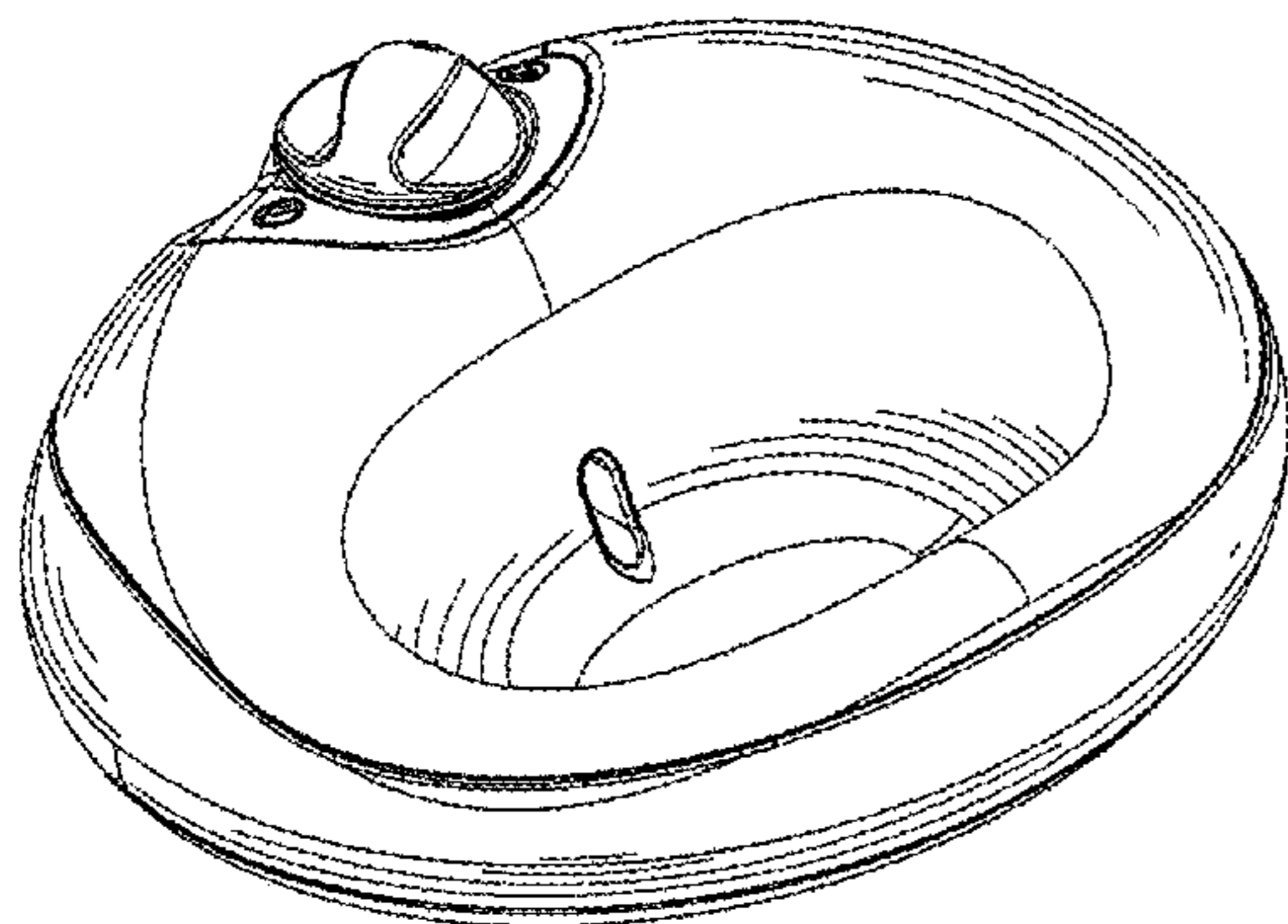
FIG. 6 shows a left elevational view thereof;

FIG. 7 shows a back elevational view thereof; and,

FIG. 8 shows a front elevational view thereof.

The broken lines show unclaimed subject matter only and form no part of the claimed design.

1 Claim, 8 Drawing Sheets



(56)

References Cited

U.S. PATENT DOCUMENTS

2014/0251223 A1* 9/2014 Rowe A01K 7/00
119/74

2014/0102374 A1* 4/2014 Lipscomb A01K 7/005
119/74

* cited by examiner

FIG. 1

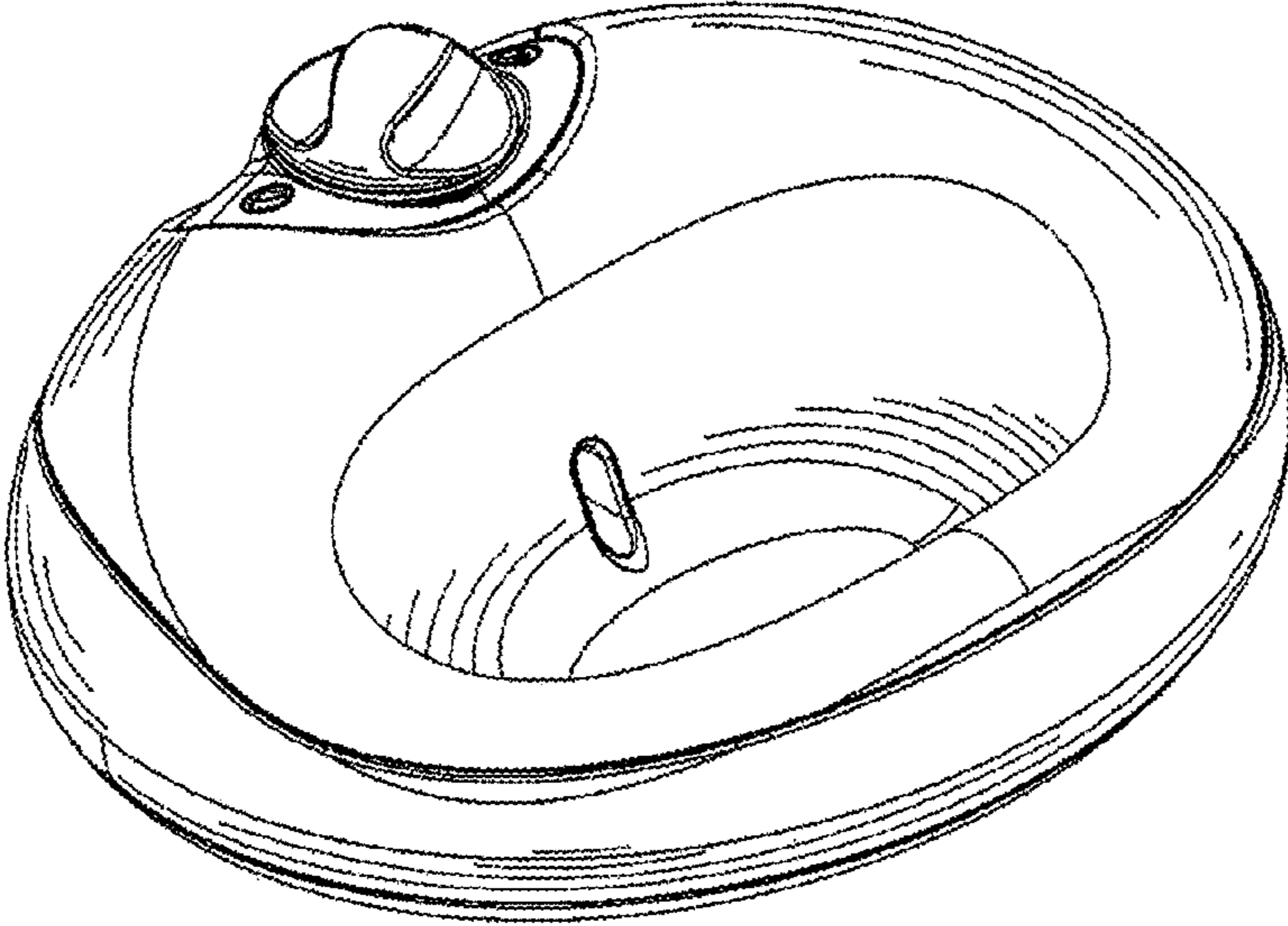


FIG. 2

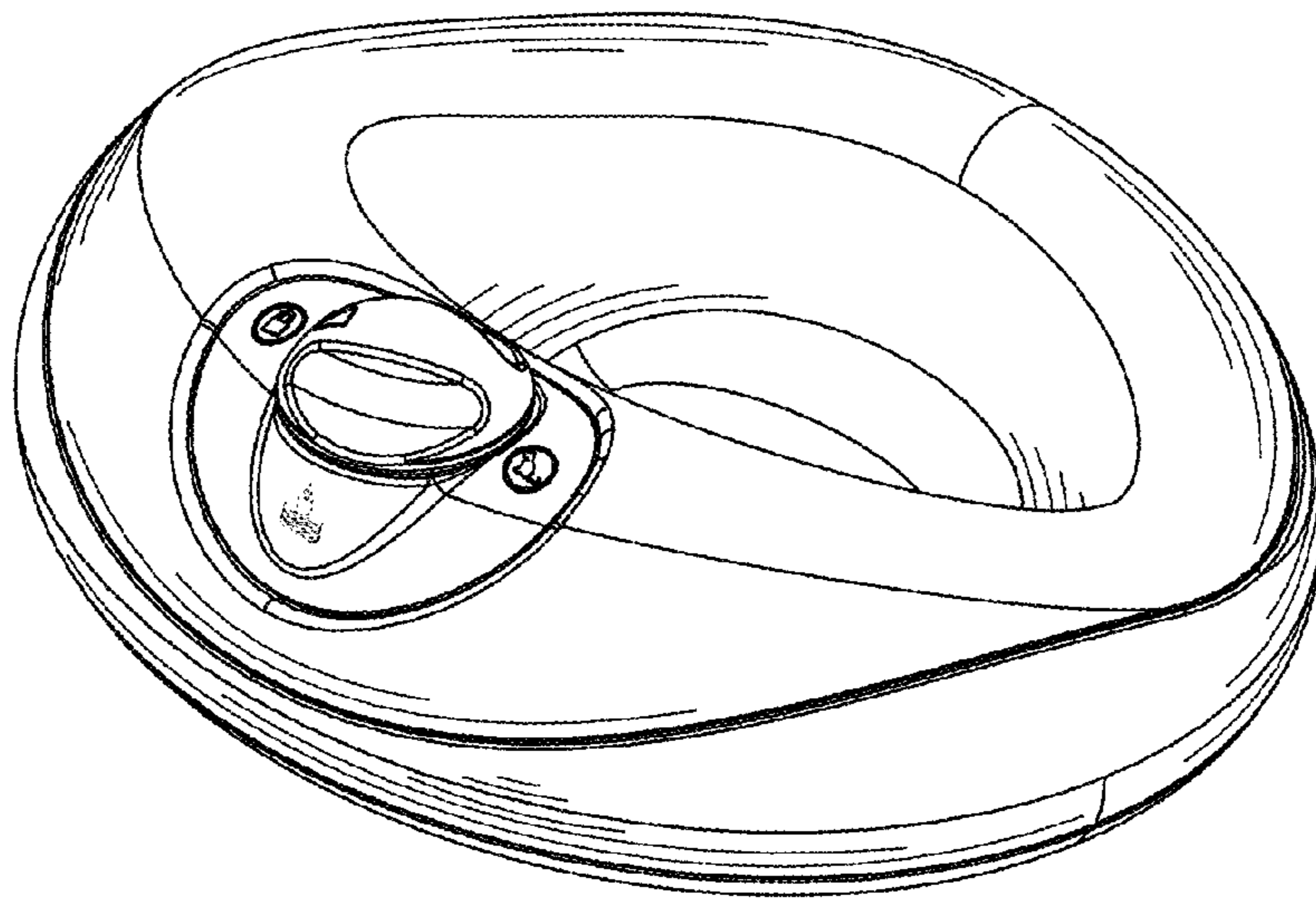


FIG. 3

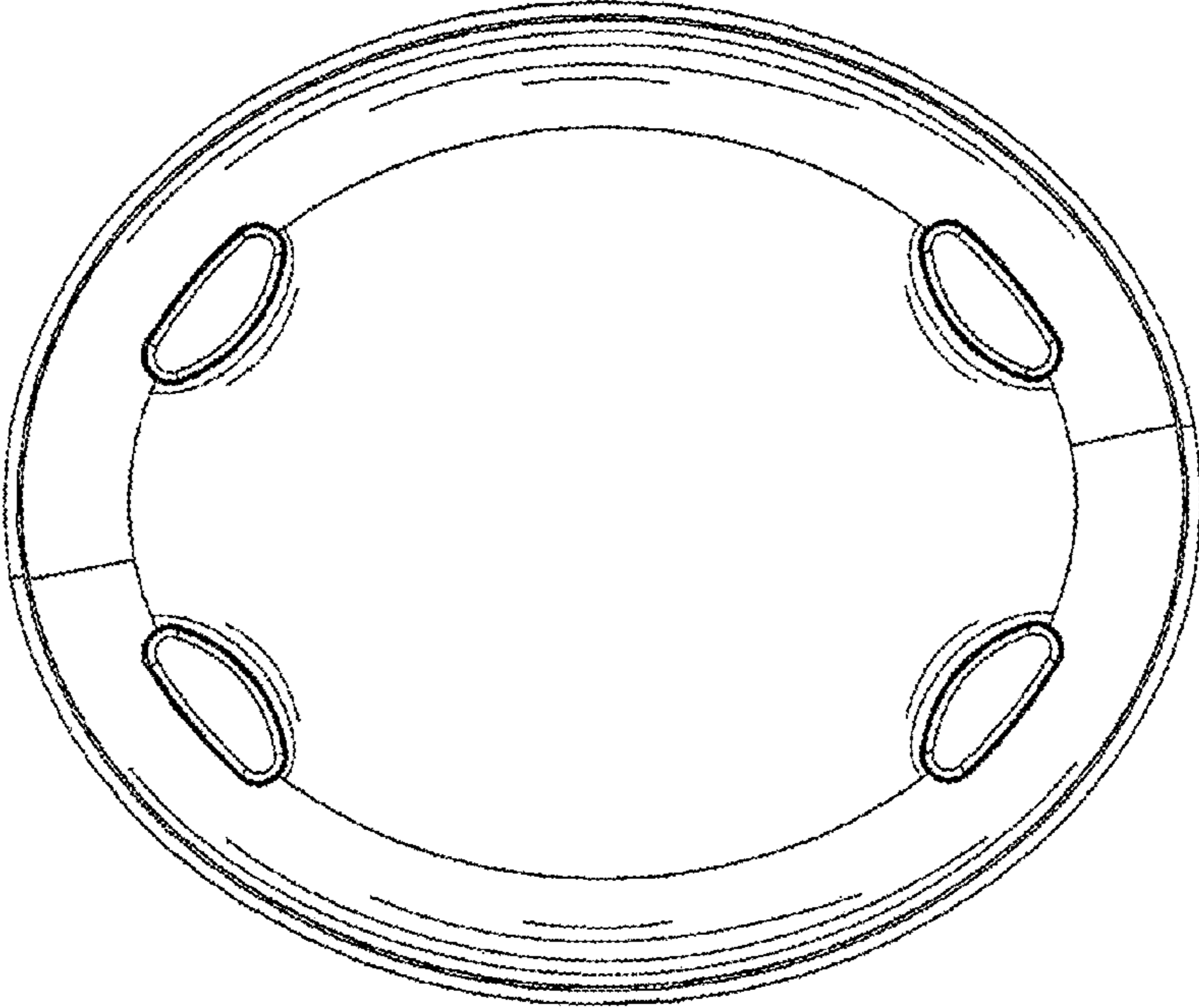


FIG. 4

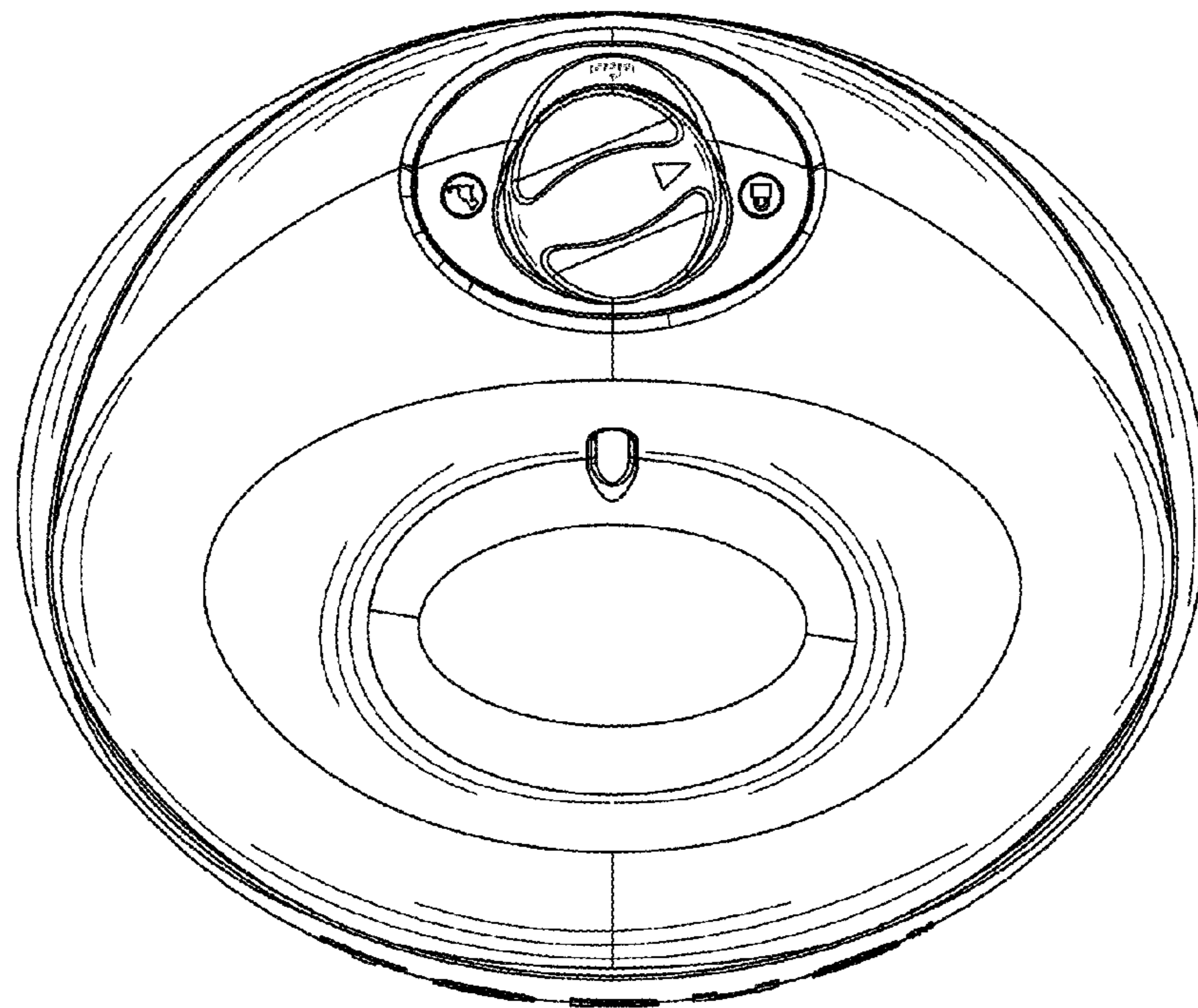


FIG. 5

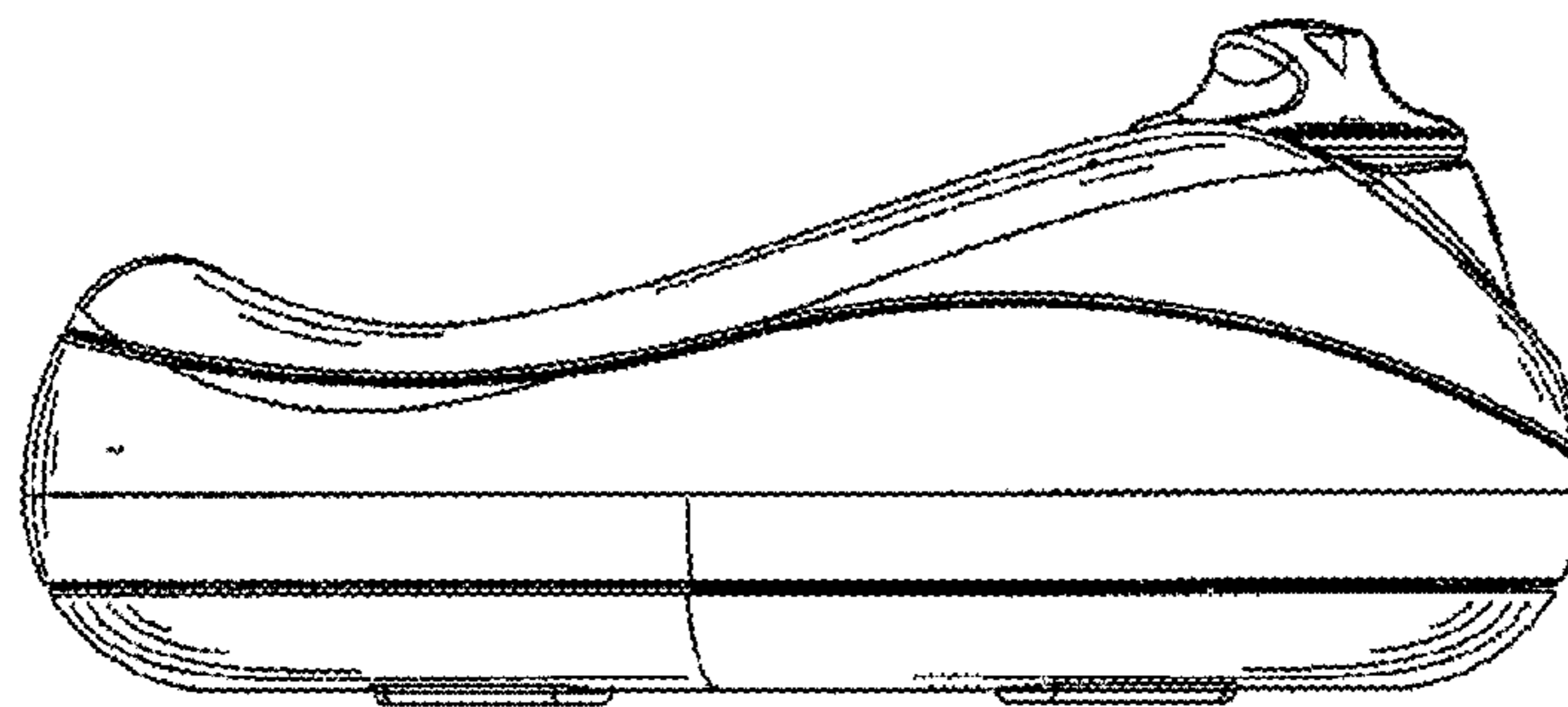


FIG. 6

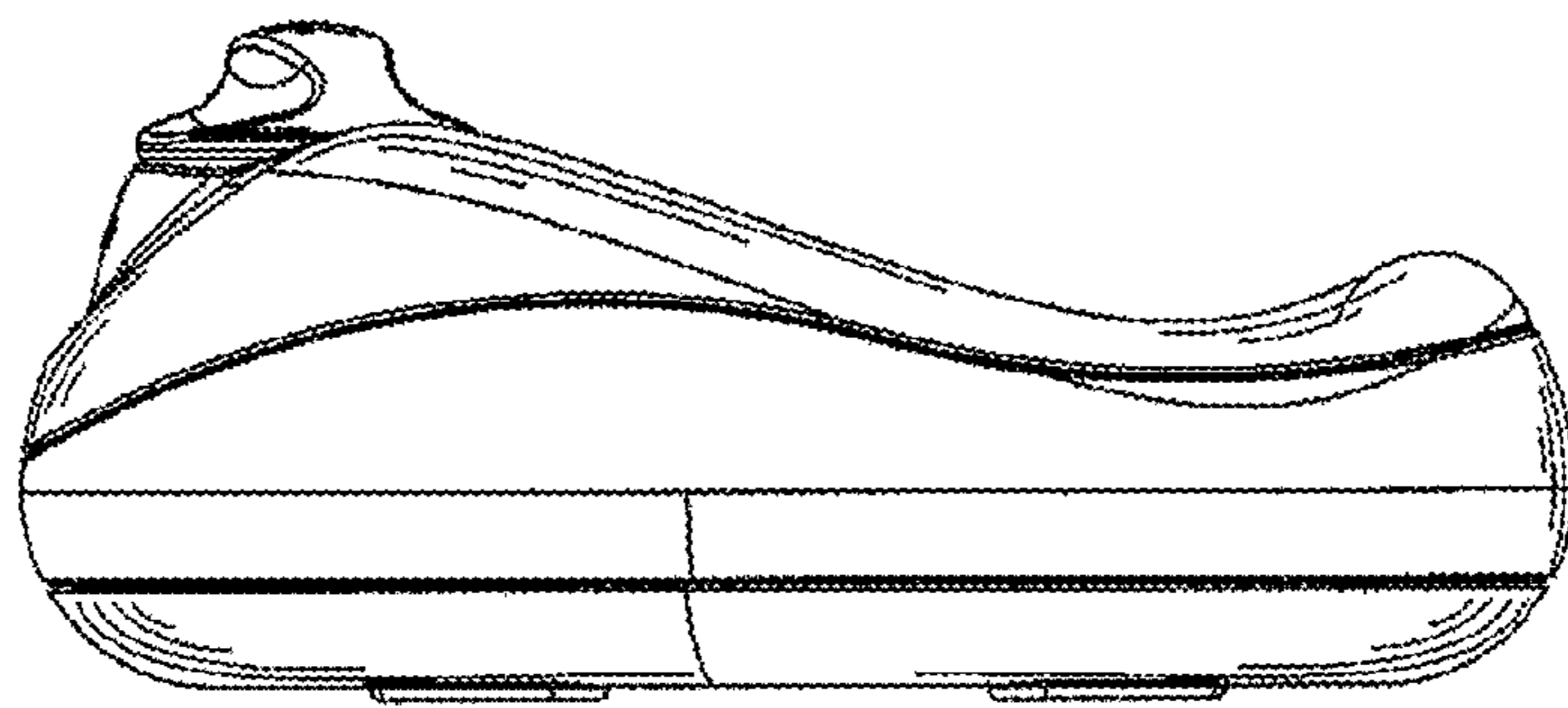


FIG. 7

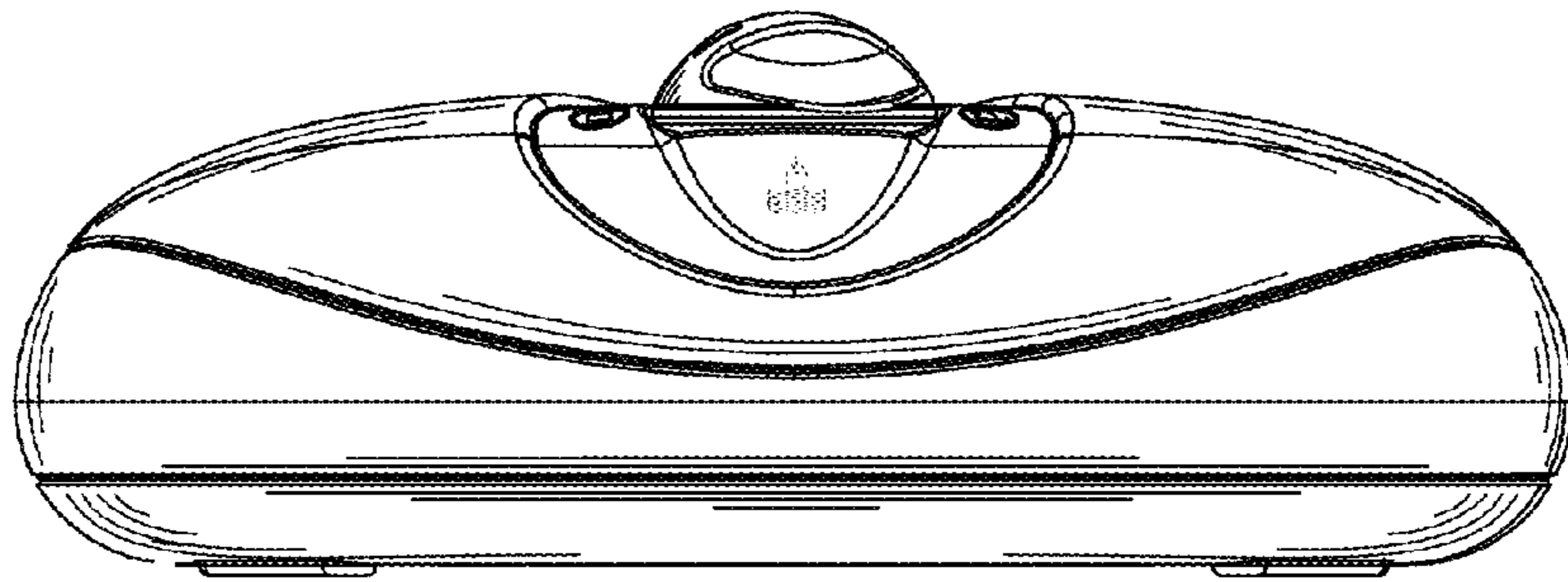


FIG. 8

