



US00D752815S

(12) **United States Design Patent**
Cardello et al.

(10) **Patent No.:** **US D752,815 S**
(45) **Date of Patent:** **** Mar. 29, 2016**

- (54) **PROTECTIVE HEAD BAND**
- (71) Applicants: **William Cardello**, Massapequa, NY
(US); **Angelo Gentile**, Massapequa, NY
(US)
- (72) Inventors: **William Cardello**, Massapequa, NY
(US); **Angelo Gentile**, Massapequa, NY
(US)
- (**) Term: **14 Years**
- (21) Appl. No.: **29/509,491**
- (22) Filed: **Nov. 18, 2014**
- (51) **LOC (10) Cl.** **02-03**
- (52) **U.S. Cl.**
USPC **D29/102; D2/877**
- (58) **Field of Classification Search**
USPC D2/500, 865, 866, 868, 869, 871, 874,
D2/875, 877, 881, 891, 894; D24/128,
D24/190; D28/41; D29/102, 104, 108
CPC A41D 20/00; A41D 20/005; A41D 23/00;
A42B 1/00; A42B 1/22; A42B 3/00; A42B
3/04; A42B 3/046; A42B 3/06; A42B 3/10;
A42B 3/12; A42C 5/02
See application file for complete search history.

(56) **References Cited**

U.S. PATENT DOCUMENTS

D192,070	S	*	1/1962	Wall	D2/875
D250,296	S	*	11/1978	Breland	D2/877
4,742,581	A	*	5/1988	Rosenthal	A41D 20/005 2/170
4,993,079	A	*	2/1991	Johnson	A42B 7/00 2/181
D339,677	S	*	9/1993	Kang	D2/875
D361,127	S	*	8/1995	Lonnstedt	D24/106
D365,918	S	*	1/1996	Izegbu	D2/875
D385,661	S	*	10/1997	Moorhouse	D29/104
D413,710	S	*	9/1999	De Rugeriis	D2/894
5,963,989	A	*	10/1999	Robertson	A41D 20/00 2/171
6,438,761	B1	*	8/2002	McGarrity	A42B 3/00 2/171

D503,027	S	*	3/2005	Strong	D2/894
7,058,989	B2	*	6/2006	Domingos	A42B 3/00 2/412
D564,134	S	*	3/2008	Brundage	D29/102
D603,584	S	*	11/2009	Porter	D2/865
D636,153	S	*	4/2011	Schrab	D2/881
D712,094	S	*	8/2014	Branson	D28/41
8,813,265	B2	*	8/2014	Schwantes	A41D 20/00 2/209.13
8,931,117	B2	*	1/2015	Terrell	A41D 20/00 2/181
D728,158	S	*	4/2015	Beaugureau	D28/41
D736,394	S	*	8/2015	Owoc	D2/894
D737,002	S	*	8/2015	Olson	D29/108
2005/0061345	A1	*	3/2005	Srivastava	A45D 8/36 132/200
2006/0278252	A1	*	12/2006	Miller	A45D 8/34 132/274
2011/0214213	A1	*	9/2011	Foreman	A42B 1/00 2/7
2014/0259286	A1	*	9/2014	Boyle	A41D 20/00 2/181

* cited by examiner

Primary Examiner — Karen E. Eldridge Powers
Assistant Examiner — Jasmine Mlinarcik
(74) *Attorney, Agent, or Firm* — Tutunjian & Bitetto, P.C.

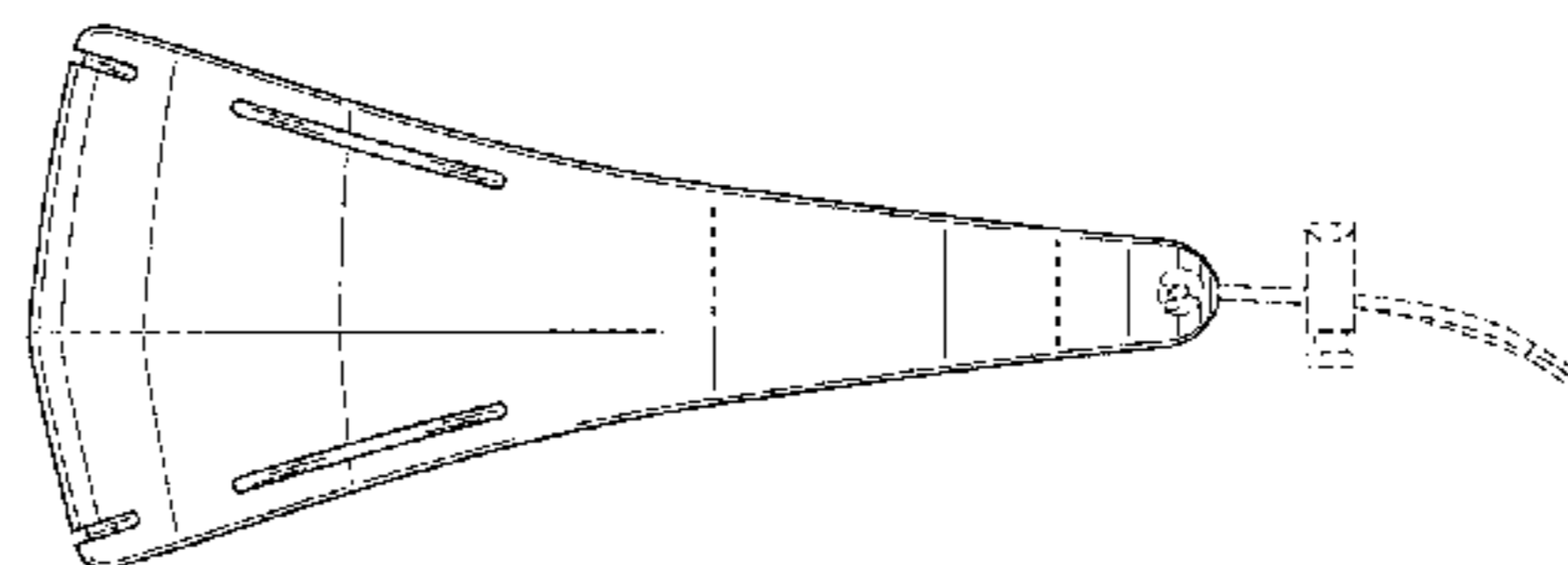
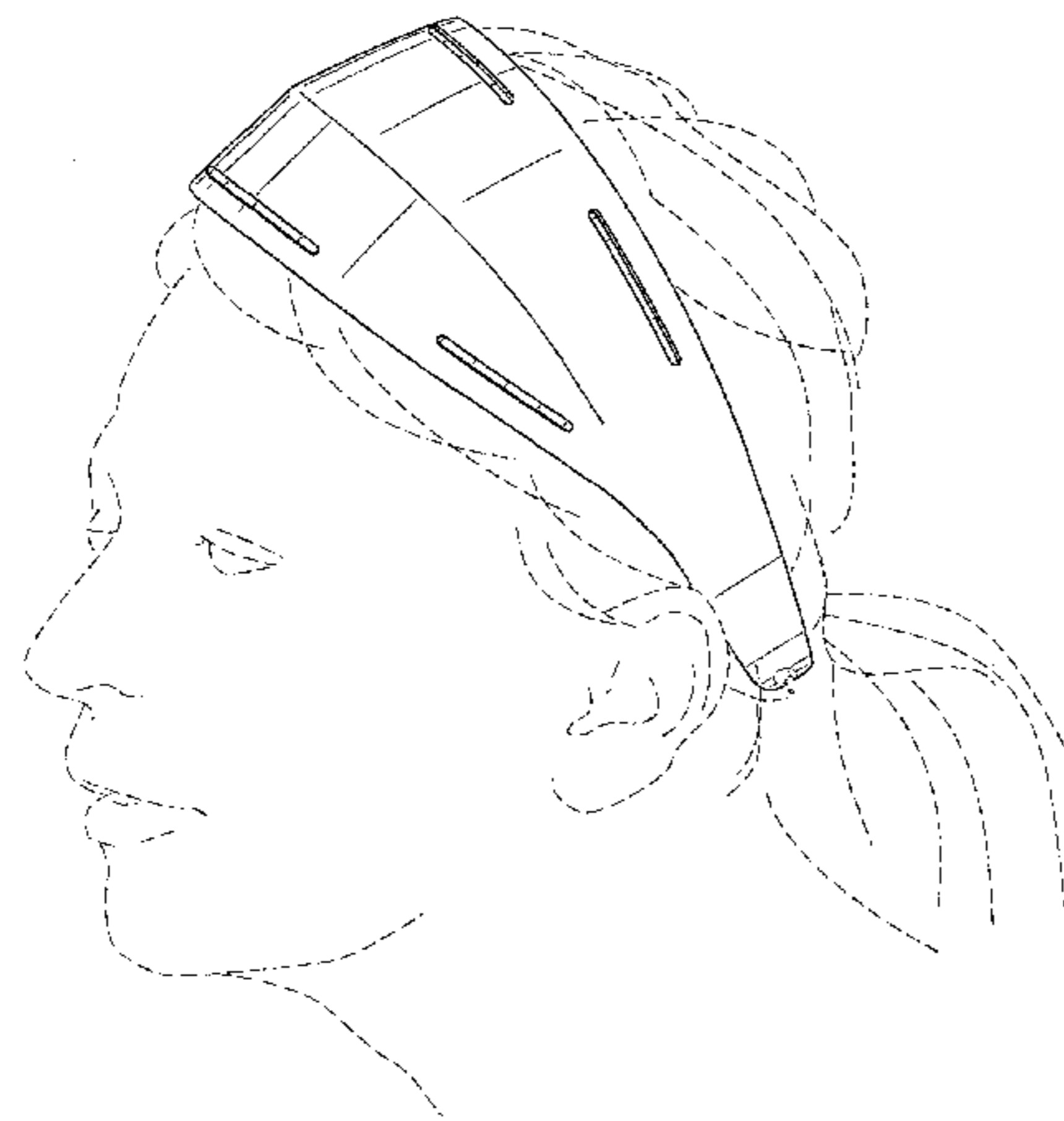
(57) **CLAIM**

The ornamental design for a protective head band, as shown and described.

DESCRIPTION

FIG. 1 is a perspective view of a protective head band showing our new design;
FIG. 2 is a front elevation view thereof;
FIG. 3 is a rear elevation view thereof;
FIG. 4 is a left side elevation view thereof;
FIG. 5 is a right side elevation view thereof;
FIG. 6 is a top plan view thereof; and,
FIG. 7 is a bottom plan view thereof.
The partial human figure depicted by broken lines represents environmental subject matter included to better illustrate how the design may appear when worn. The drawstring shown in broken lines represents environmental structure. None of the broken-line matter forms a part of the claimed design.

1 Claim, 4 Drawing Sheets



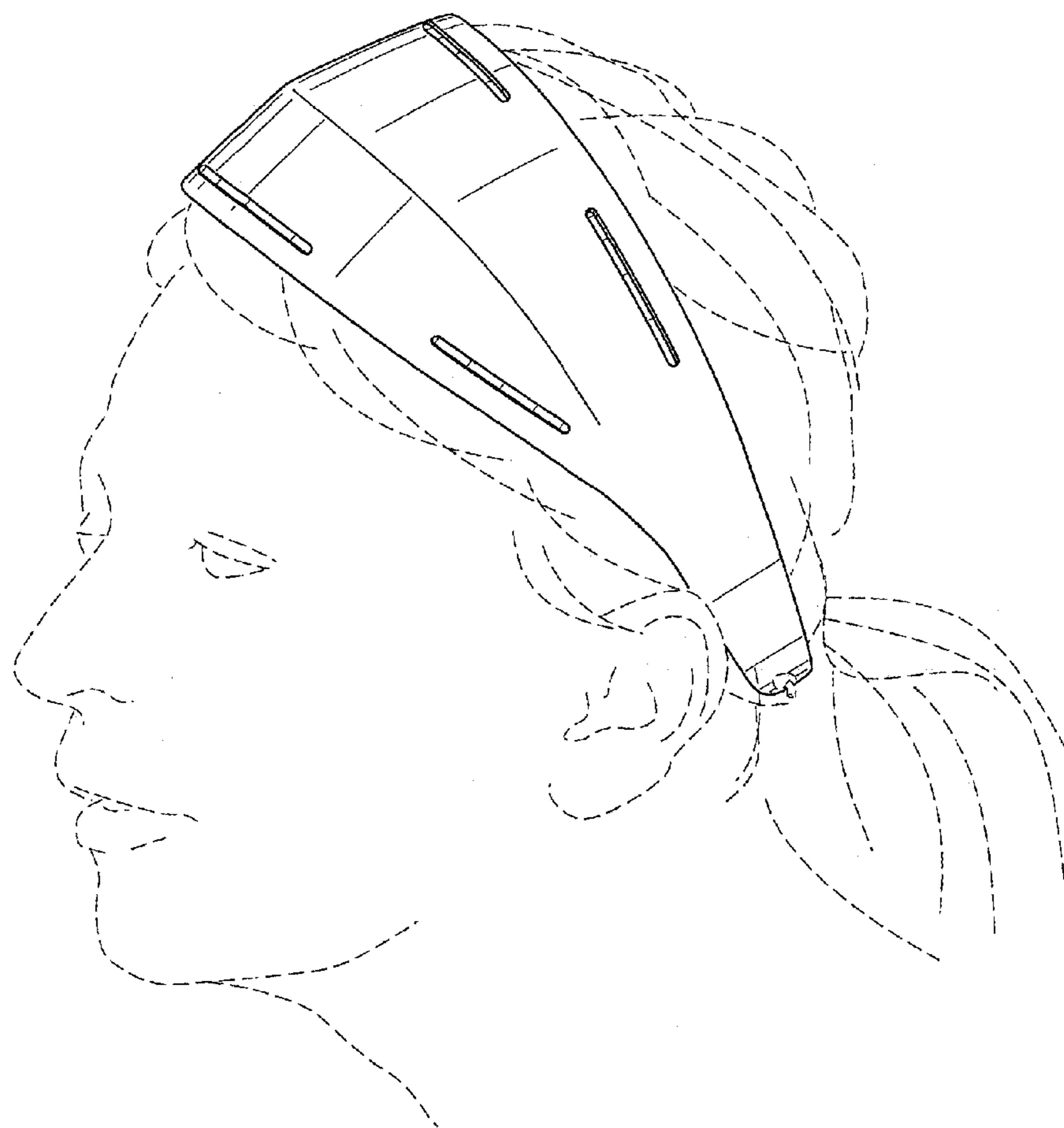


FIG. 1

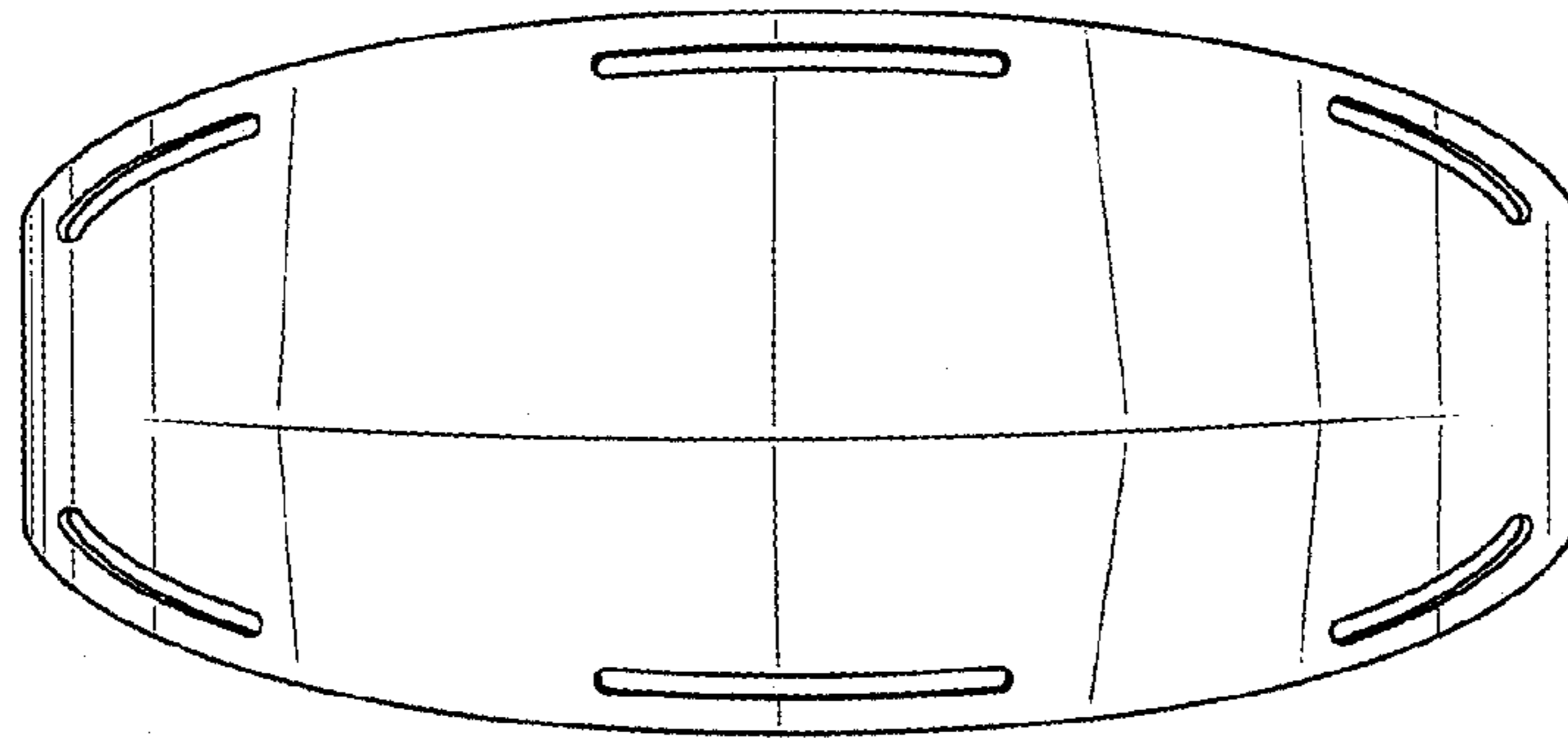


FIG. 2

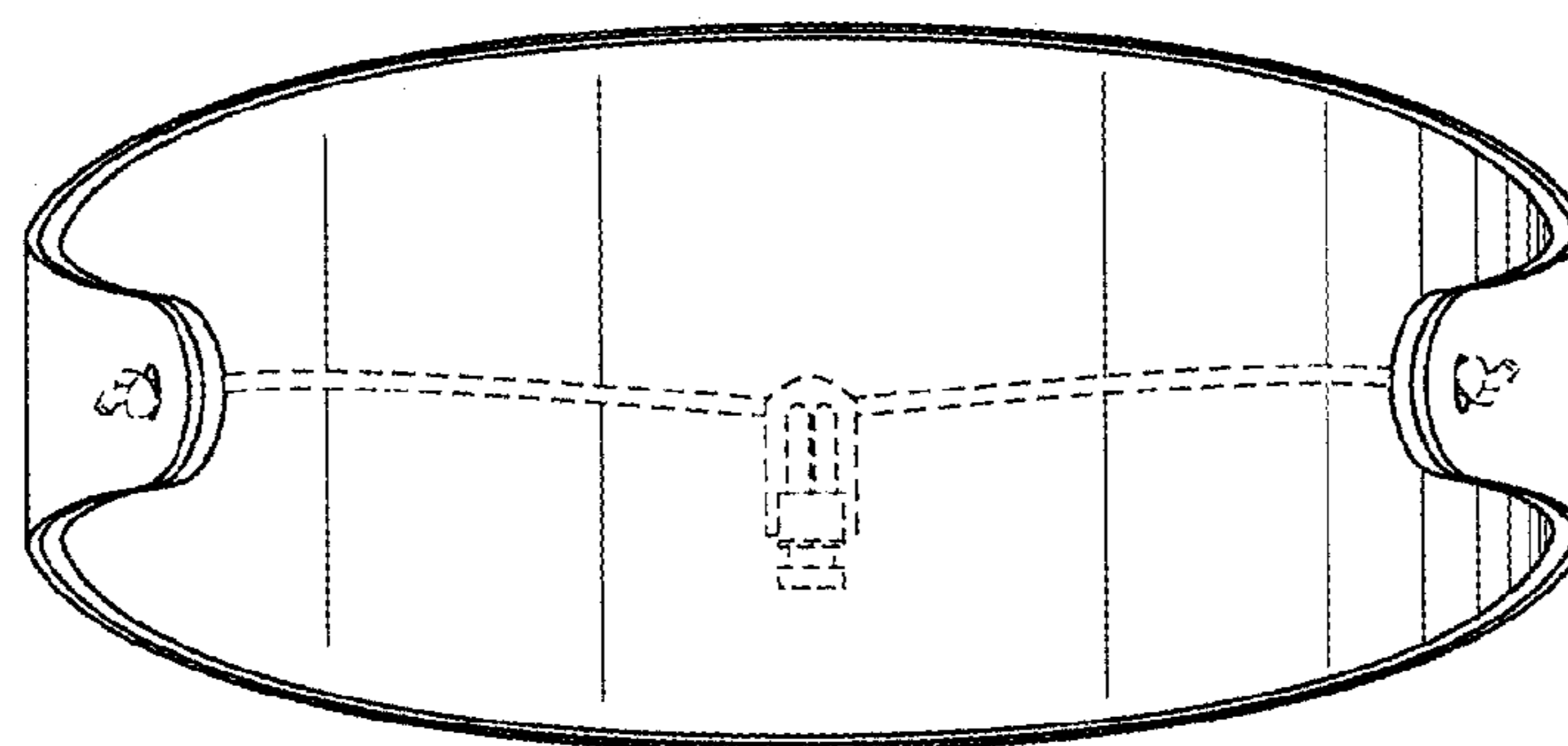


FIG. 3

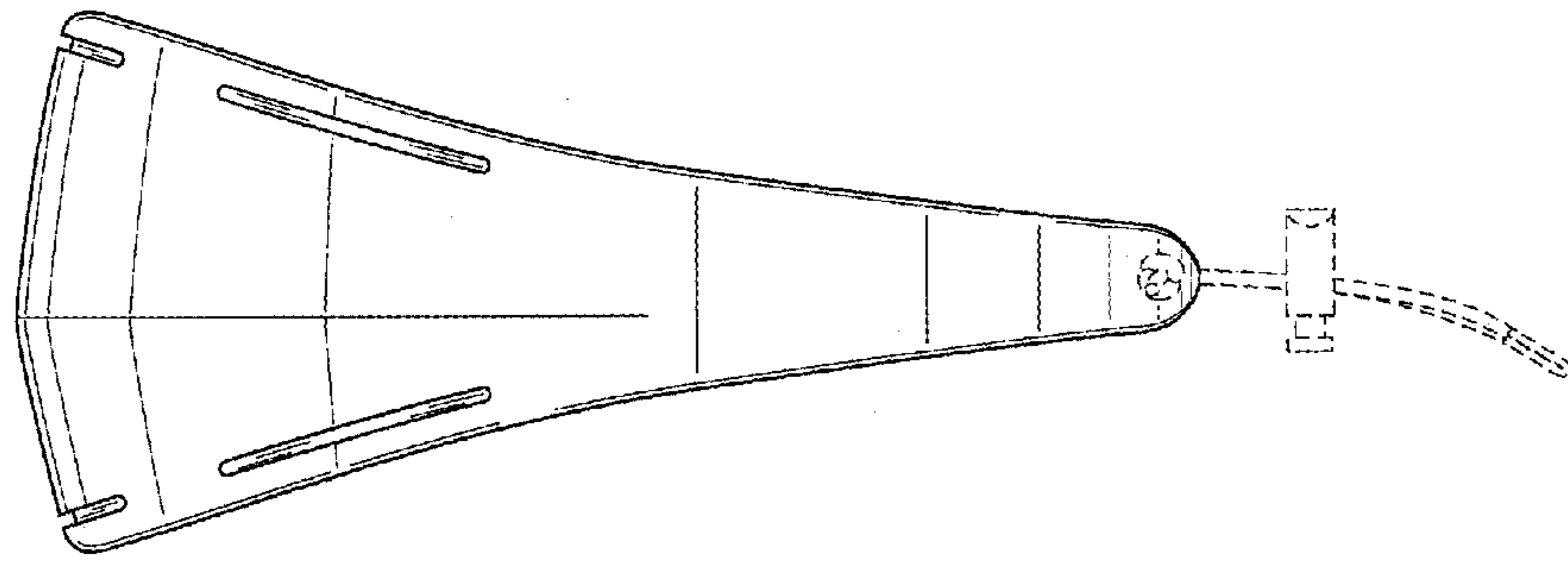


FIG. 4

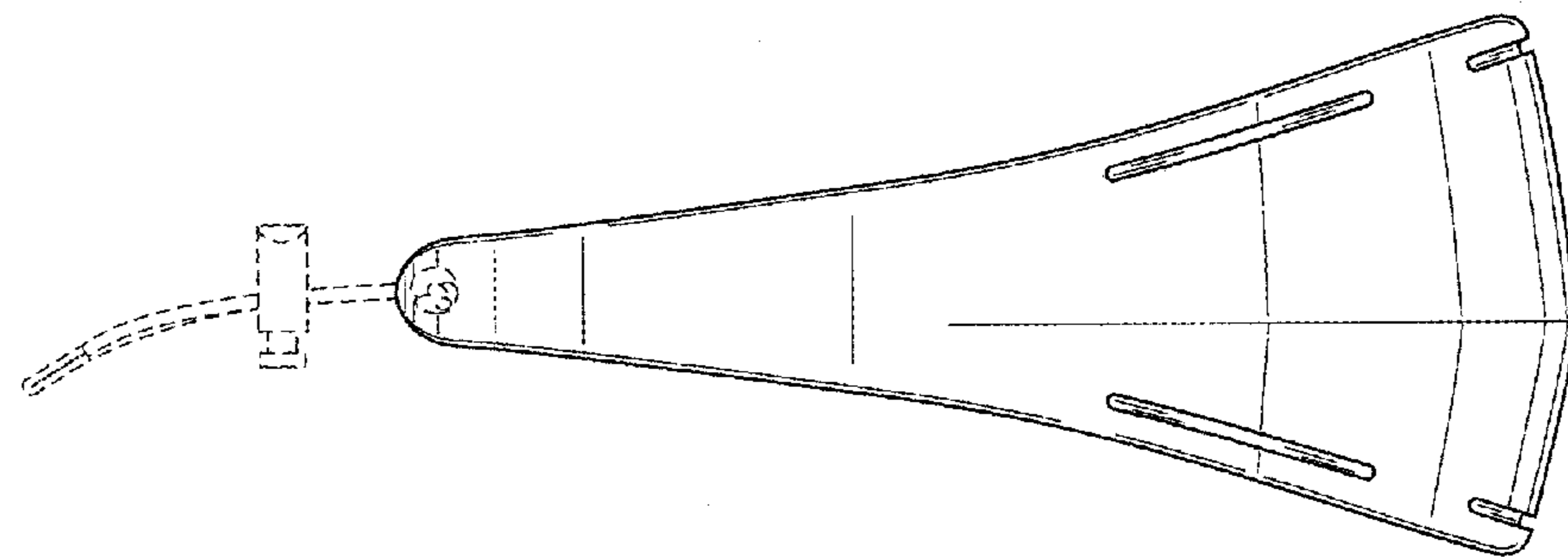


FIG. 5

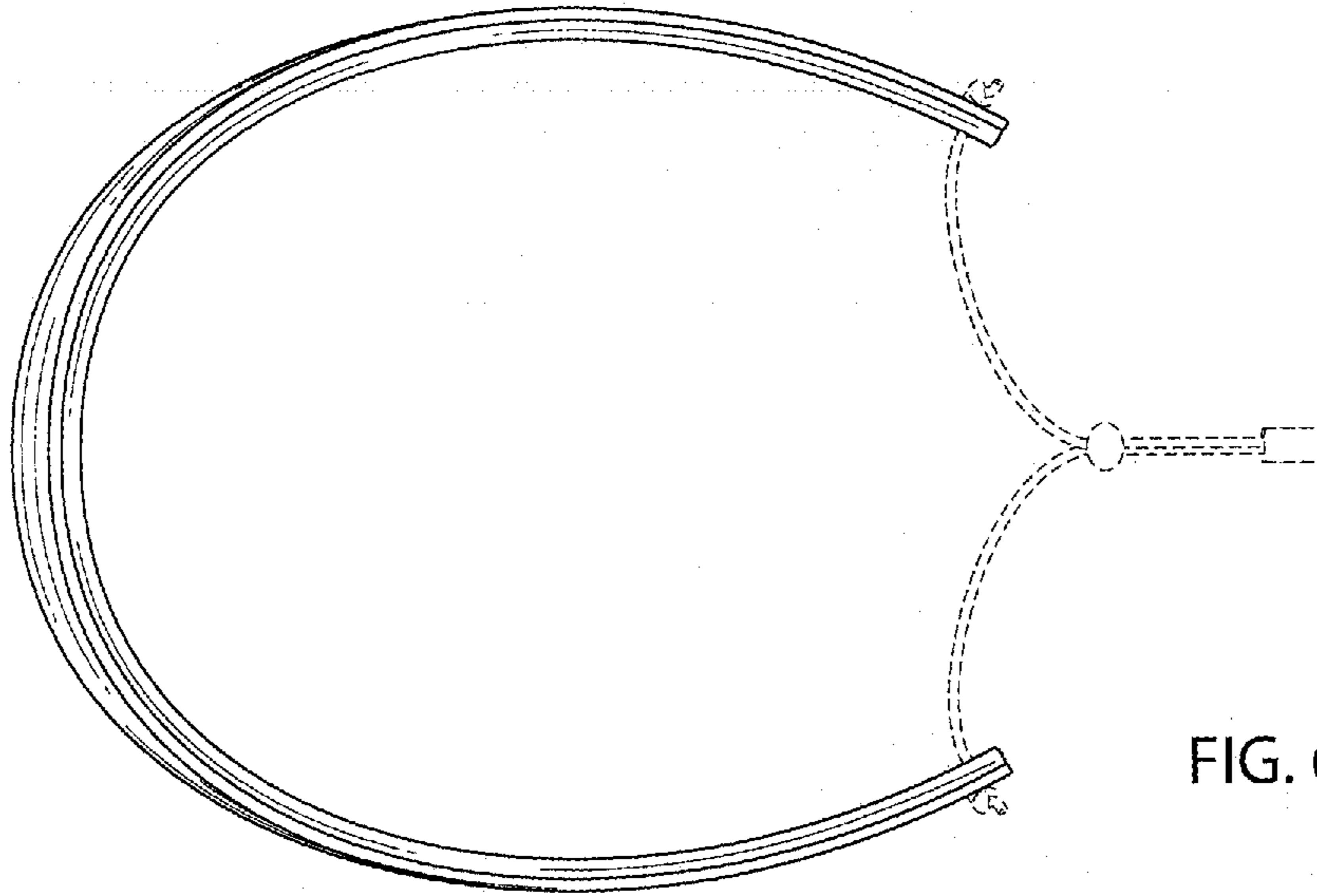


FIG. 6

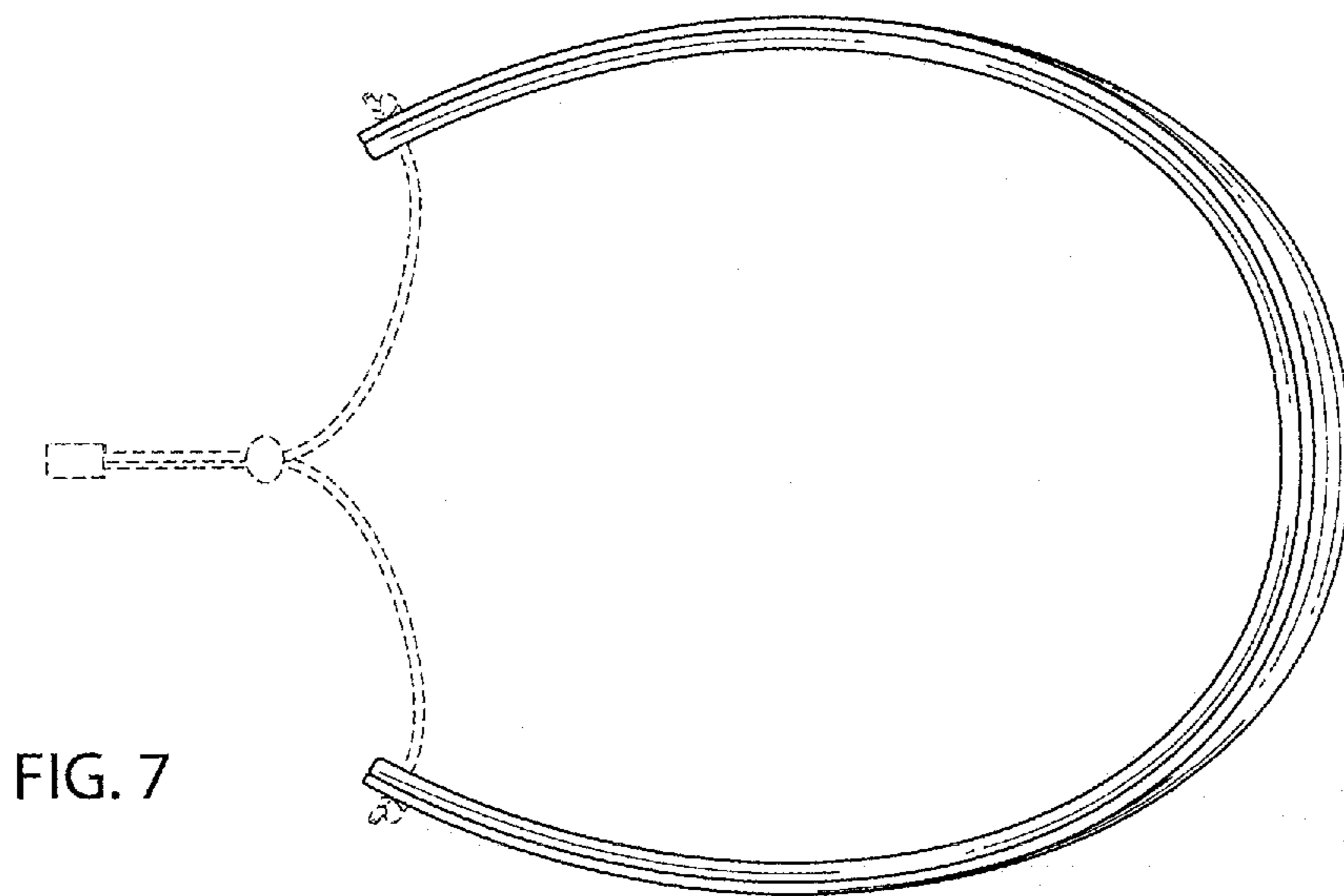


FIG. 7