



US00D752813S

(12) **United States Design Patent**
Villarreal et al.

(10) **Patent No.:** **US D752,813 S**
(45) **Date of Patent:** **** Mar. 29, 2016**

(54) **COSMETIC CONTAINER**

(71) Applicant: **HCT Group Holdings Limited**, Central (HK)

(72) Inventors: **Armando Villarreal**, Los Angeles, CA (US); **Kamaal Washington**, Santa Monica, CA (US); **Megan Rene Langdon**, Los Angeles, CA (US); **Derrick Chang**, Los Angeles, CA (US)

(73) Assignee: **HCT GROUP HOLDINGS LIMITED**, Central (HK)

(**) Term: **14 Years**

(21) Appl. No.: **29/496,354**

(22) Filed: **Jul. 11, 2014**

(51) **LOC (10) Cl.** **28-03**

(52) **U.S. Cl.**
USPC **D28/84**

(58) **Field of Classification Search**
USPC D28/64.1-64.7, 76-84; 206/581, 823; 132/286-318; D9/503-505, 421, 428, D9/447; D3/901
CPC A45D 33/006; A45D 33/003; A45D 33/04-33/16; A45D 33/025; A45D 33/02; A45D 33/20; A45D 33/22; A45D 33/24; A45D 33/26; A45D 33/28; A45D 33/18; A45D 40/22; A45D 40/222; A45D 40/24; A45D 42/02

See application file for complete search history.

(56) **References Cited**

U.S. PATENT DOCUMENTS

3,482,728	A *	12/1969	Flax	220/525
D277,419	S *	1/1985	Schefer	D28/82
5,398,706	A *	3/1995	Epstein	132/314
D480,179	S *	9/2003	Lai	D28/82
D553,797	S *	10/2007	Gunter	D28/82
D683,497	S *	5/2013	Ghiotti et al.	D9/428
D687,602	S *	8/2013	Chen	D28/82
2012/0187023	A1 *	7/2012	Wells	206/581

* cited by examiner

Primary Examiner — Jennifer Rivard

(74) *Attorney, Agent, or Firm* — Seager, Tufte & Wickhem LLP

(57) **CLAIM**

The ornamental design for a cosmetic container, as shown and described.

DESCRIPTION

FIG. 1 is a perspective view of a cosmetic container in a closed position.

FIG. 2 is a side view of a cosmetic container, all side views being the same;

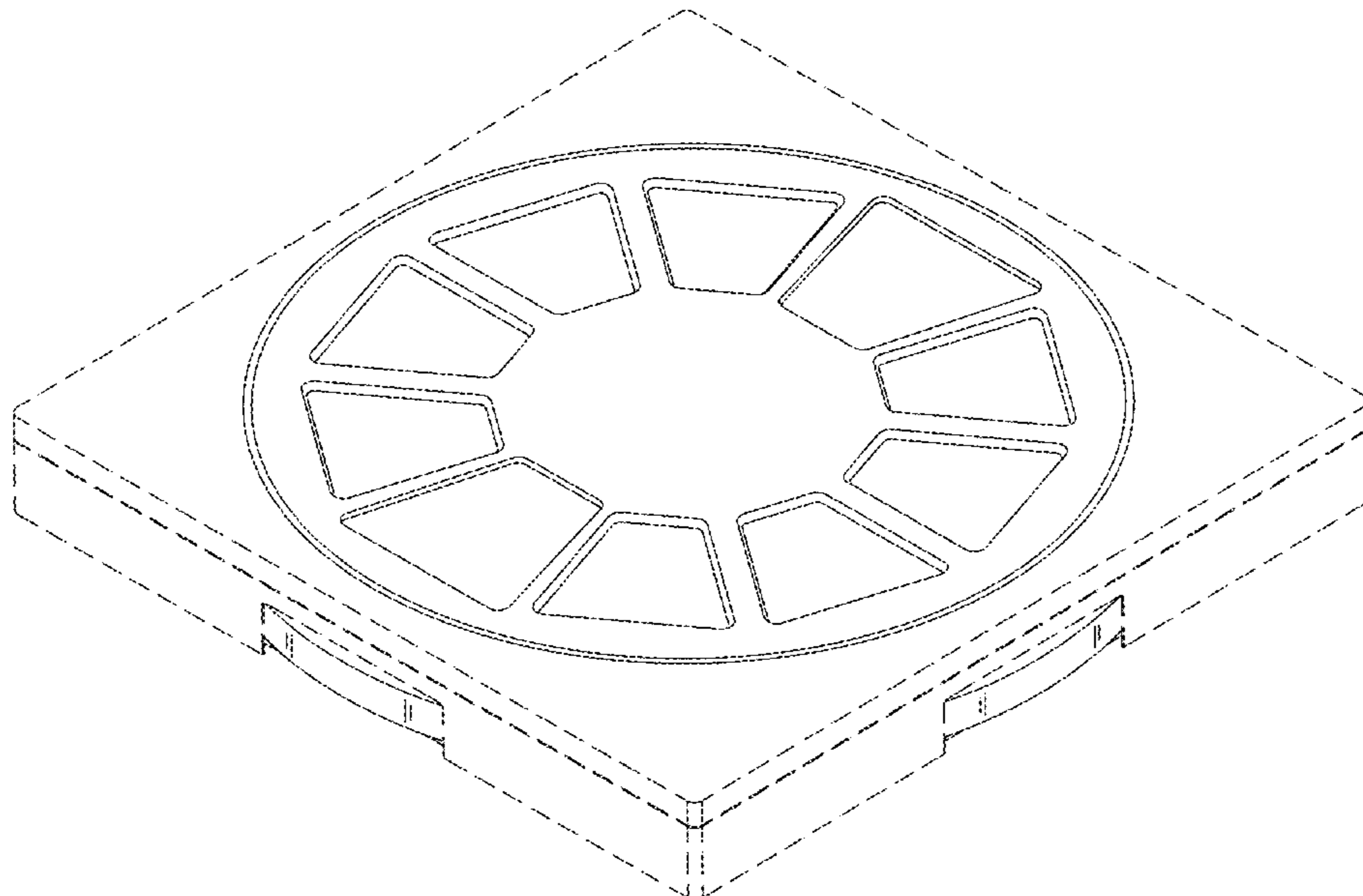
FIG. 3 is a top view of a cosmetic container in a closed position.

FIG. 4 is a bottom view of a cosmetic container; and,

FIG. 5 is a top view of a cosmetic container wherein the wheel has been rotated one position in a counter clockwise direction to a position to allow access to a cosmetic product.

The broken lines illustrate portions of the cosmetic container and form no part of the claimed design.

1 Claim, 5 Drawing Sheets



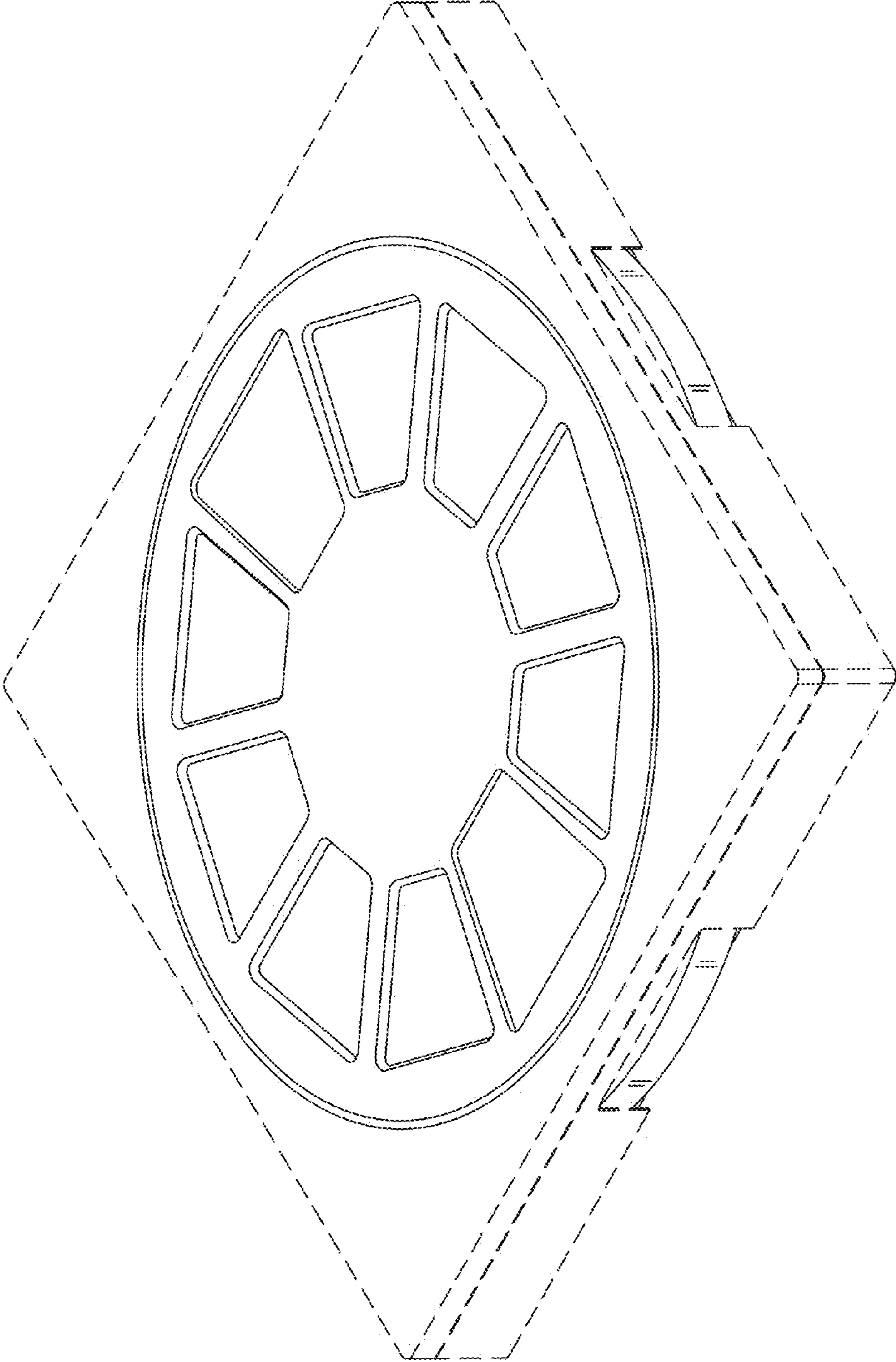


FIG. 1

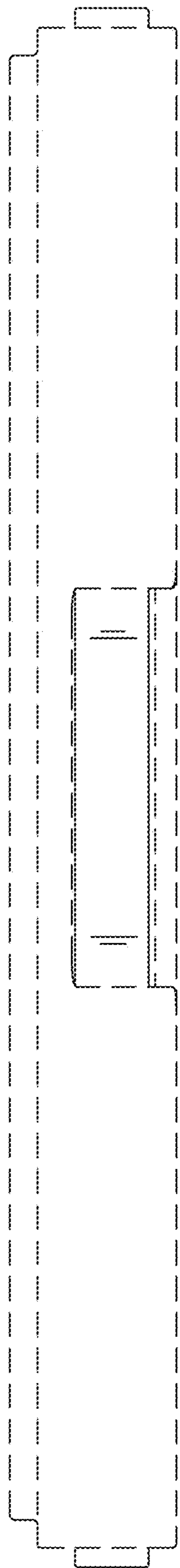


FIG. 2

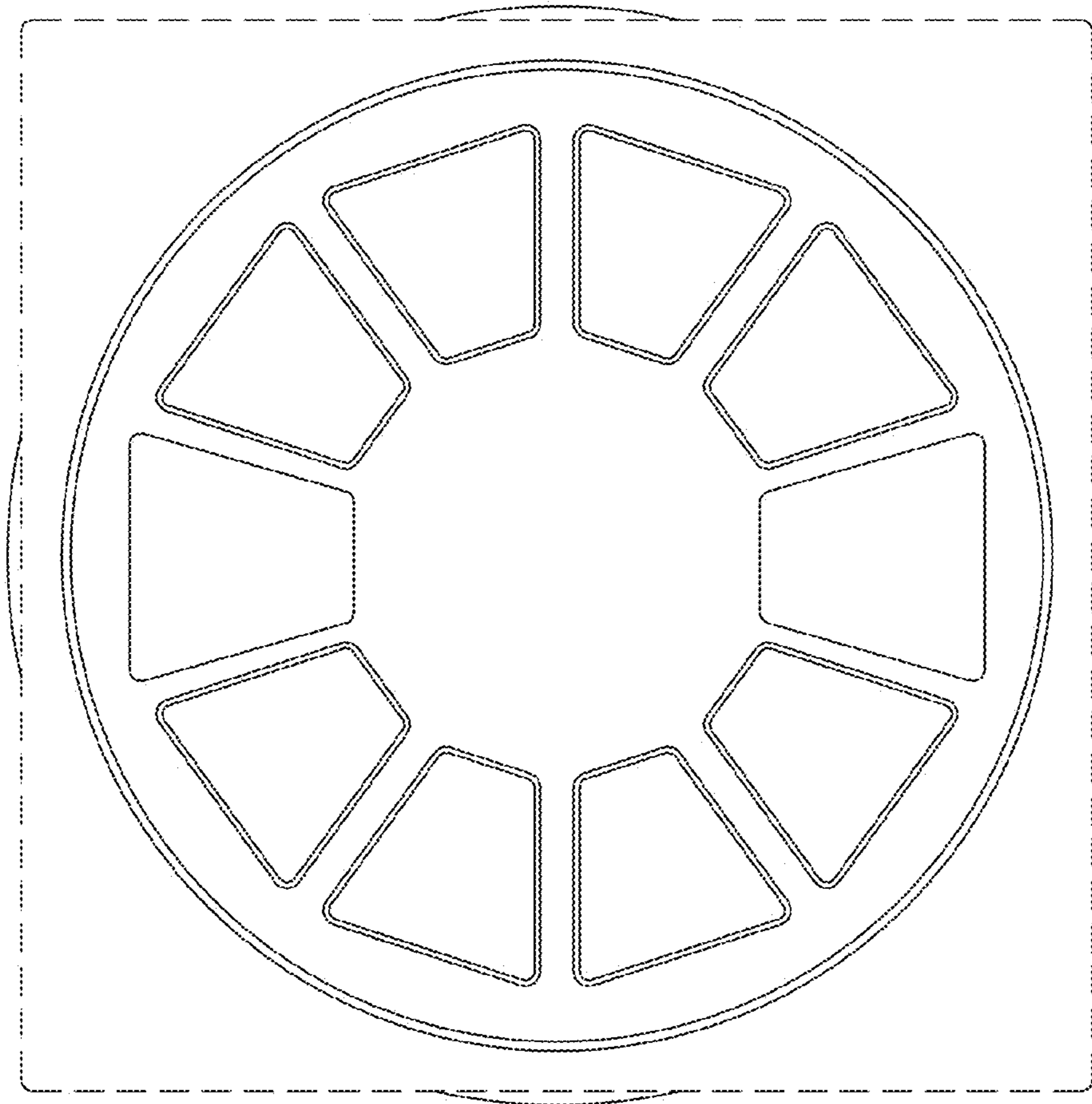


FIG. 3

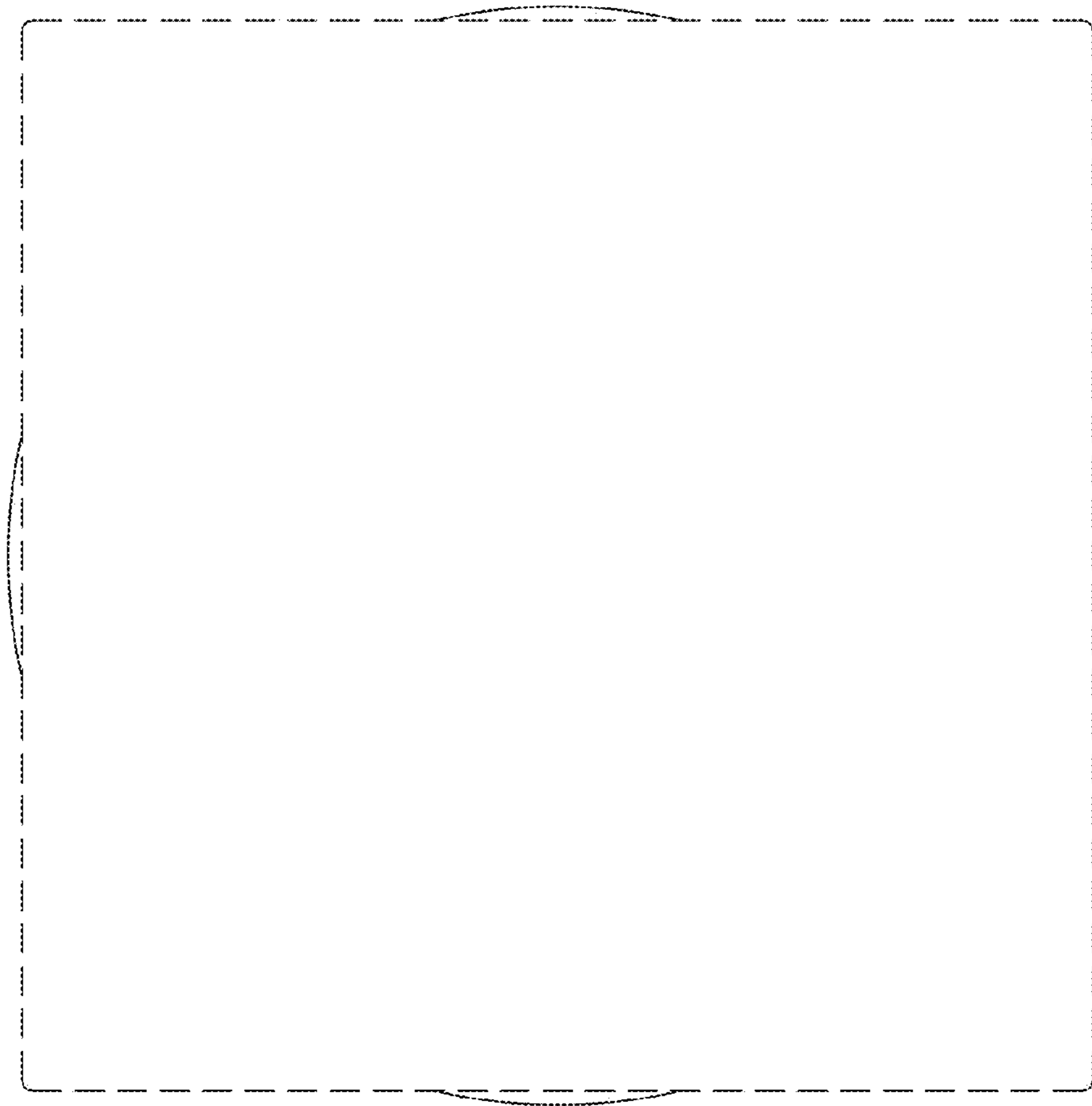


FIG. 4

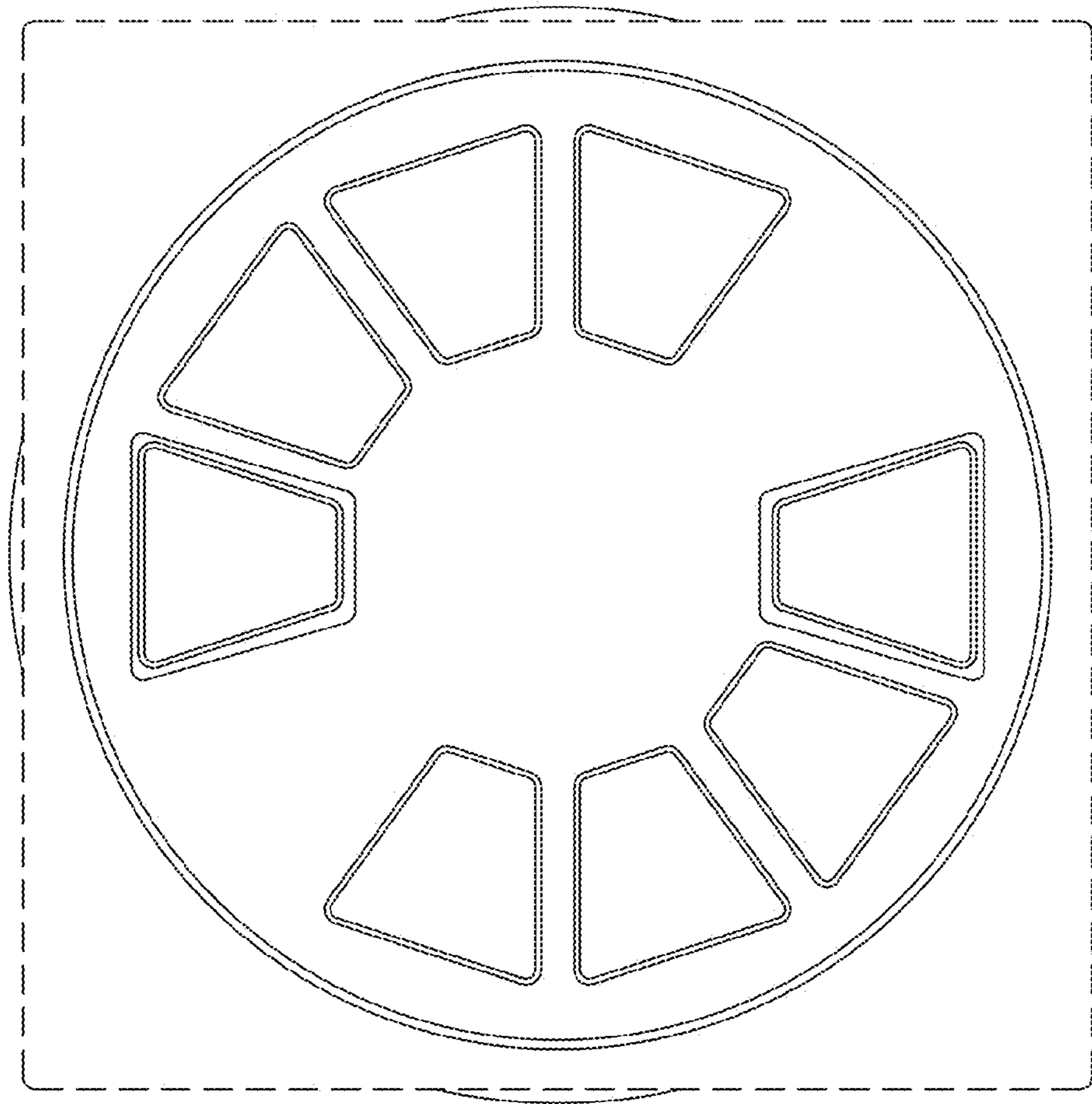


FIG. 5