



US00D752811S

(12) **United States Design Patent**  
**Okabe et al.**

(10) **Patent No.:** **US D752,811 S**  
(45) **Date of Patent:** **\*\* Mar. 29, 2016**

(54) **ELECTRIC SHAVER**

(71) Applicant: **Panasonic Intellectual Property Management Co., Ltd.**, Osaka-shi, Osaka (JP)

(72) Inventors: **Kensaku Okabe**, Osaka (JP); **Hiroaki Shimizu**, Shiga (JP); **Masaaki Sato**, Shiga (JP)

(73) Assignee: **PANASONIC INTELLECTUAL PROPERTY MANAGEMENT CO., LTD.**, Osaka (JP)

(\*\*) Term: **14 Years**

(21) Appl. No.: **29/521,197**

(22) Filed: **Mar. 20, 2015**

(51) **LOC (10) Cl.** ..... **28-03**

(52) **U.S. Cl.**  
USPC ..... **D28/54**

(58) **Field of Classification Search**  
USPC ..... D28/44.1, 49–54  
CPC ..... B26B 19/00; B26B 19/02–19/107;  
B26B 21/10–21/12  
See application file for complete search history.

(56) **References Cited**

**U.S. PATENT DOCUMENTS**

D511,398 S *	11/2005	Nishizawa	.....	D28/49
D513,541 S *	1/2006	Nishizawa	.....	D28/49
D571,956 S *	6/2008	Nishizawa	.....	D28/49
7,794,276 B2 *	9/2010	Shigeta	.....	B26B 19/3833 439/205
D648,482 S *	11/2011	Kim	.....	D28/50
D648,483 S *	11/2011	Ino	.....	D28/51
D648,486 S *	11/2011	Ino	.....	D28/54
D648,896 S *	11/2011	Ino	.....	D28/54
D657,912 S *	4/2012	Yoon	.....	D28/54
8,479,397 B2 *	7/2013	Sato	.....	B26B 19/046 30/346.51
D689,242 S *	9/2013	Grabes	.....	D28/54
D696,458 S *	12/2013	Ino	.....	D28/51
8,627,574 B2 *	1/2014	Shimizu	.....	B26B 19/048

					30/42
D702,882 S *	4/2014	Grabes	.....	D28/51	
8,720,069 B2 *	5/2014	Iwashita	.....	B26B 19/048 30/346.51	
D713,994 S *	9/2014	Grabes	.....	D28/54	

(Continued)

**FOREIGN PATENT DOCUMENTS**

CN	302459400	6/2013
JP	D1408759 S	3/2011
JP	D1451896 S	9/2012

*Primary Examiner* — Jennifer Rivard

(74) *Attorney, Agent, or Firm* — Brinks Gilson & Lione

(57) **CLAIM**

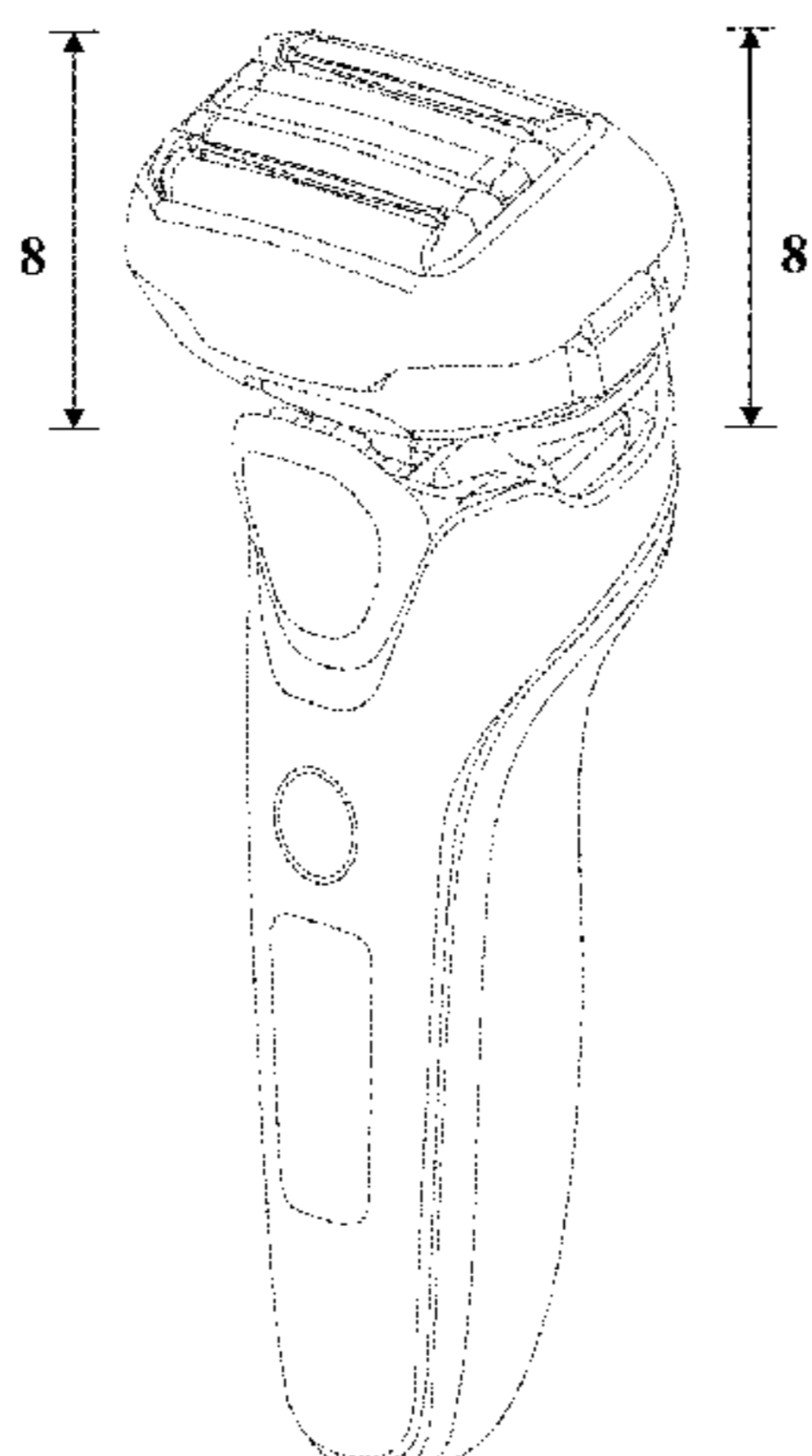
We claim the ornamental design for an electric shaver, as shown and described.

**DESCRIPTION**

FIG. 1 is a top and front perspective view of a first embodiment of an electric shaver of the present invention;  
 FIG. 2 is a front view thereof;  
 FIG. 3 is a rear view thereof;  
 FIG. 4 is a first side view thereof;  
 FIG. 5 is a second side view thereof;  
 FIG. 6 is a top view thereof;  
 FIG. 7 is a bottom view thereof;  
 FIG. 8 is an enlarged view of the area denoted by lines 8-8 of FIG. 1;  
 FIG. 9 is a top and front perspective view of a second embodiment of an electric shaver of the present invention;  
 FIG. 10 is a front view thereof;  
 FIG. 11 is a rear view thereof;  
 FIG. 12 is a first side view thereof;  
 FIG. 13 is a second side view thereof;  
 FIG. 14 is a top view thereof;  
 FIG. 15 is a bottom view thereof; and,  
 FIG. 16 is an enlarged view of the area denoted by lines 16-16 of FIG. 9.

The broken lines shown represent unclaimed subject matter and form no part of the claimed design.

**1 Claim, 16 Drawing Sheets**



# US D752,811 S

Page 2

---

(56)

## References Cited

### U.S. PATENT DOCUMENTS

D717,996 S *	11/2014	Kikuchi	.....	D28/51	2010/0180447 A1*	7/2010	Sato	.....	B26B 19/04 30/43.92
D718,495 S *	11/2014	Okabe	.....	D28/51	2010/0180448 A1*	7/2010	Sato	.....	B26B 19/048 30/43.92
D718,900 S *	12/2014	Kikuchi	.....	D28/54	2010/0269350 A1*	10/2010	Iwashita	.....	B26B 19/048 30/43.92
2008/0134515 A1*	6/2008	Sato	.....	B26B 19/046 30/43.91	2013/0097871 A1*	4/2013	Yamaguchi	.....	B26B 19/28 30/45

\* cited by examiner

FIG.1

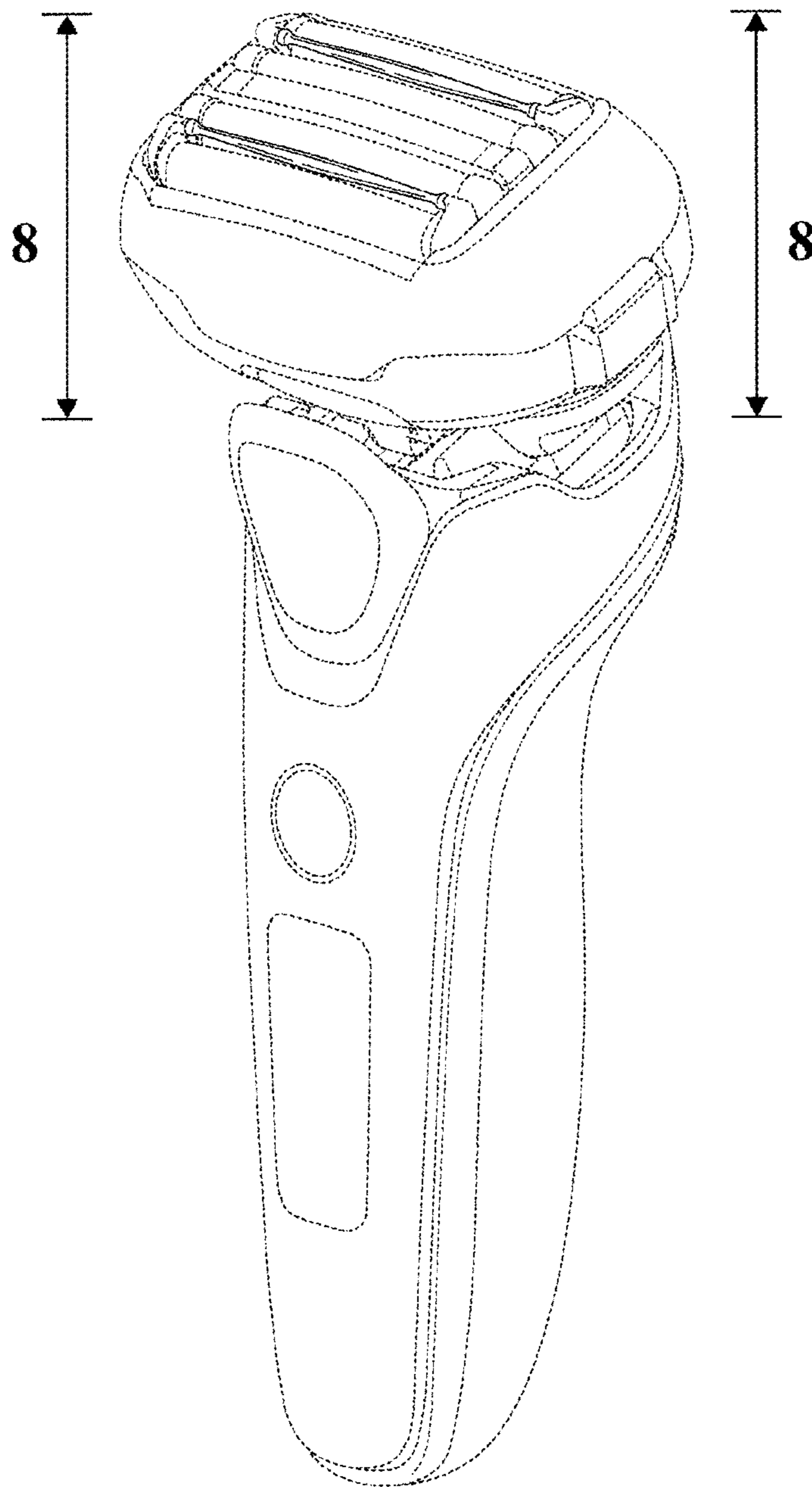


FIG.2

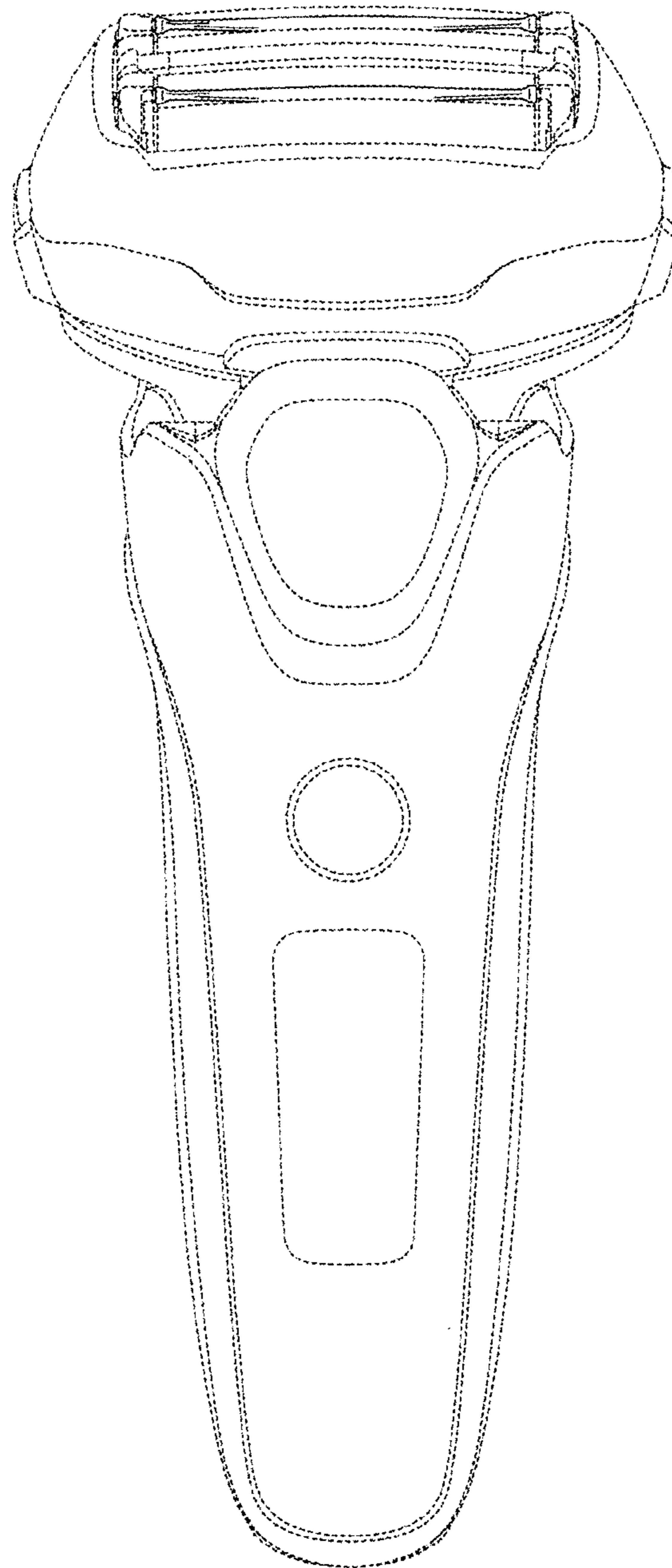


FIG.3

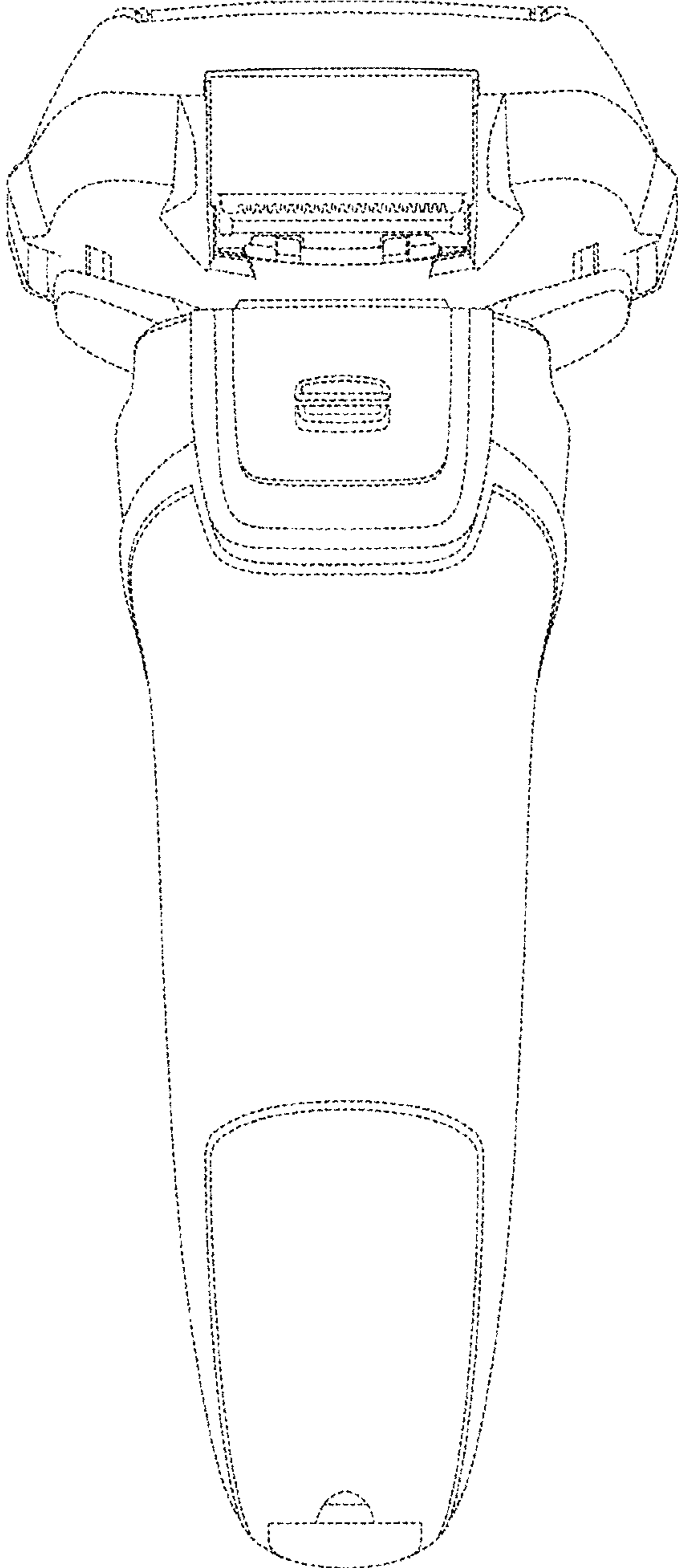


FIG.4

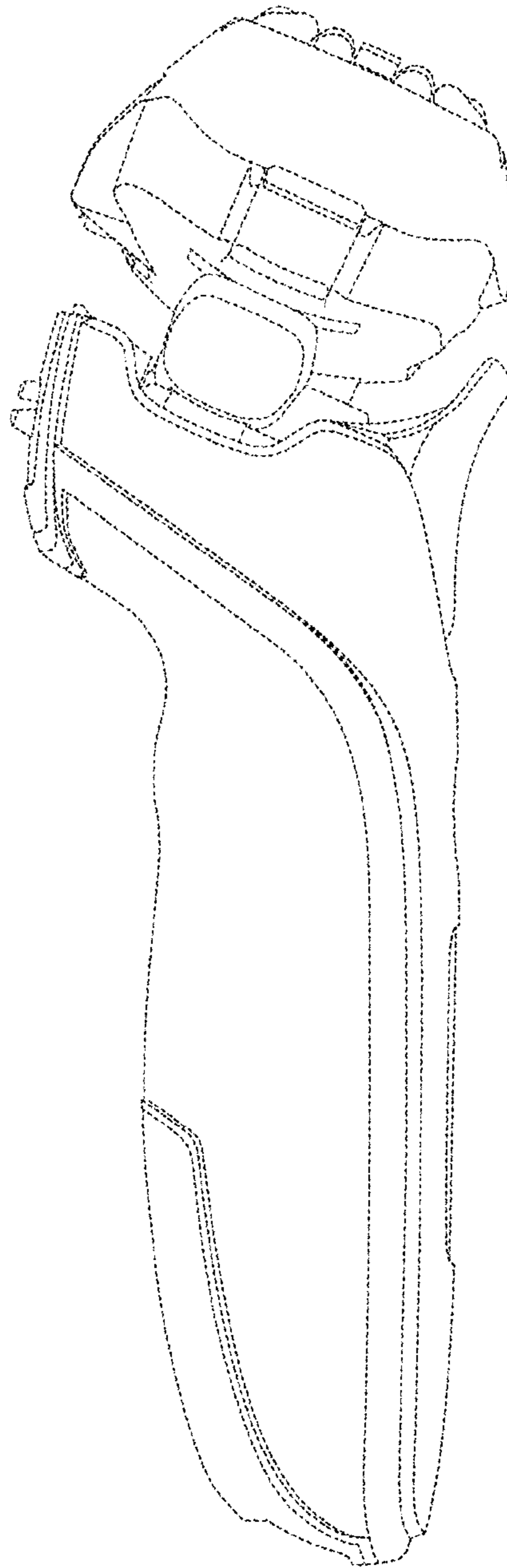


FIG.5

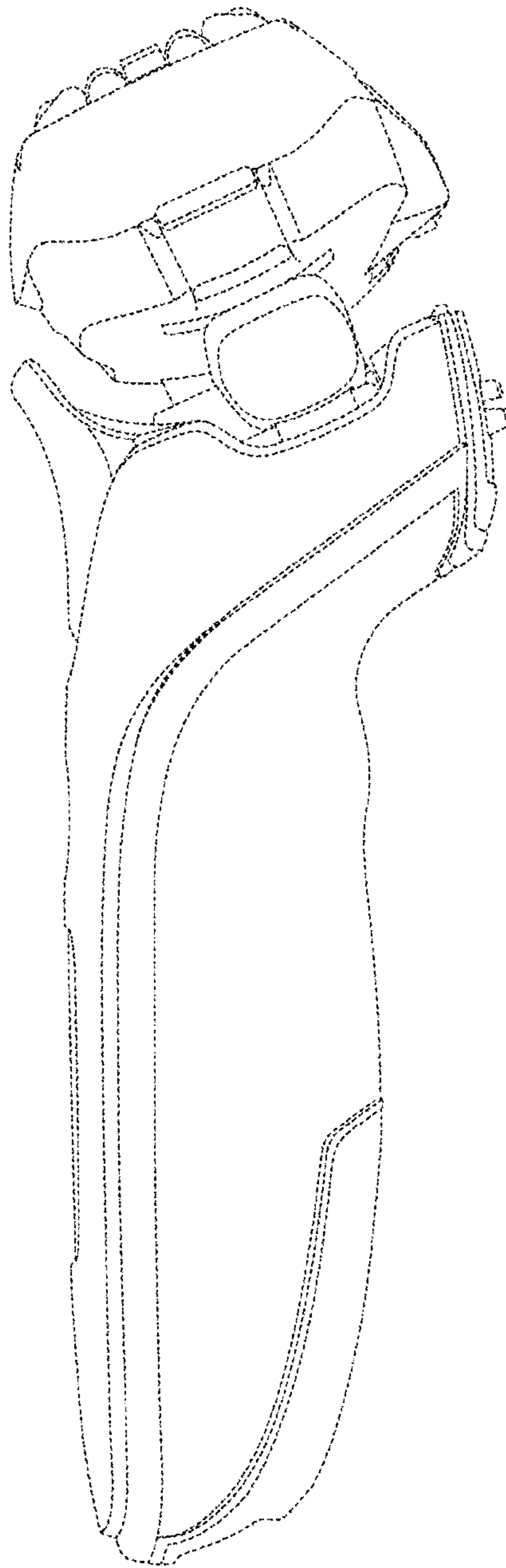


FIG.6

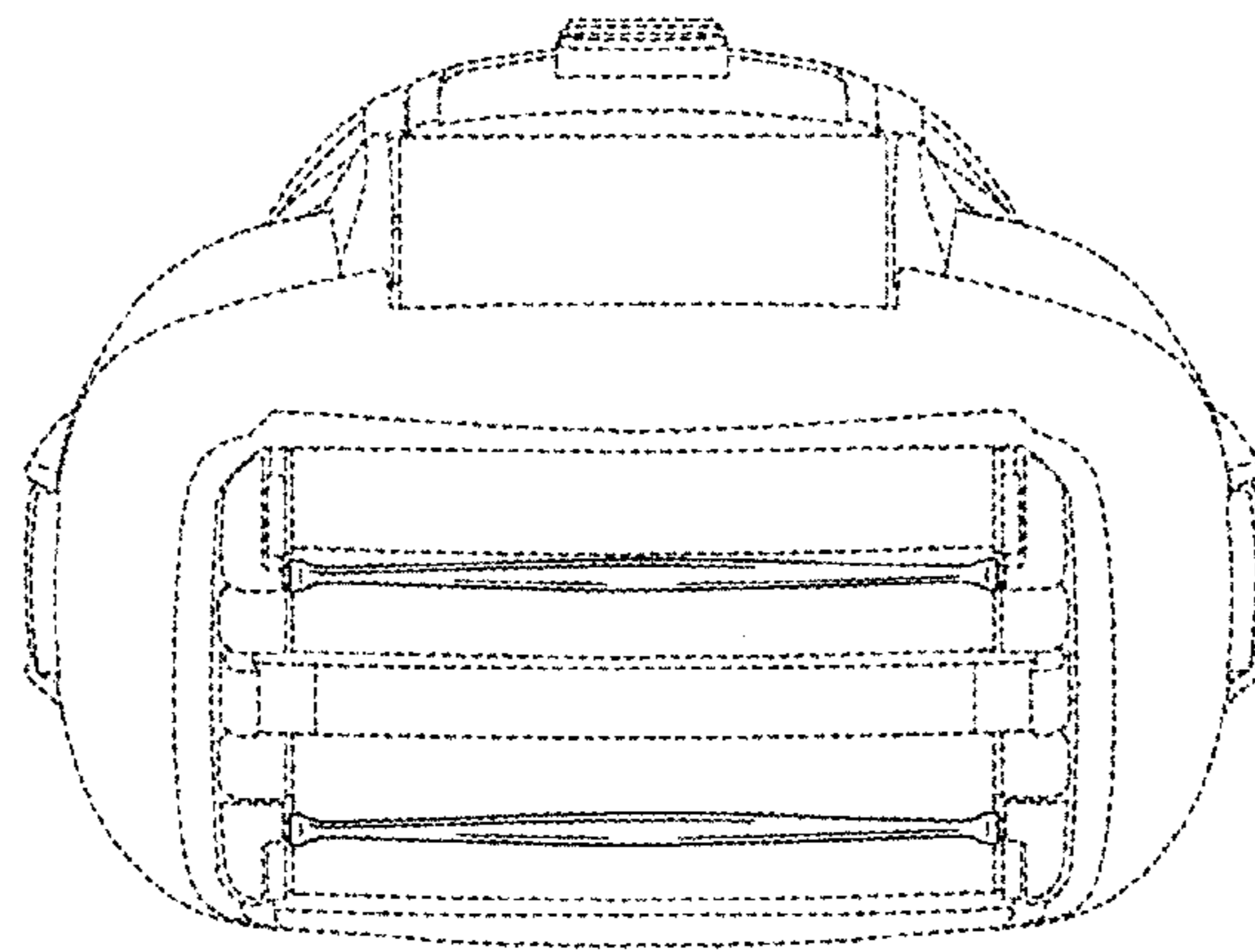




FIG. 7

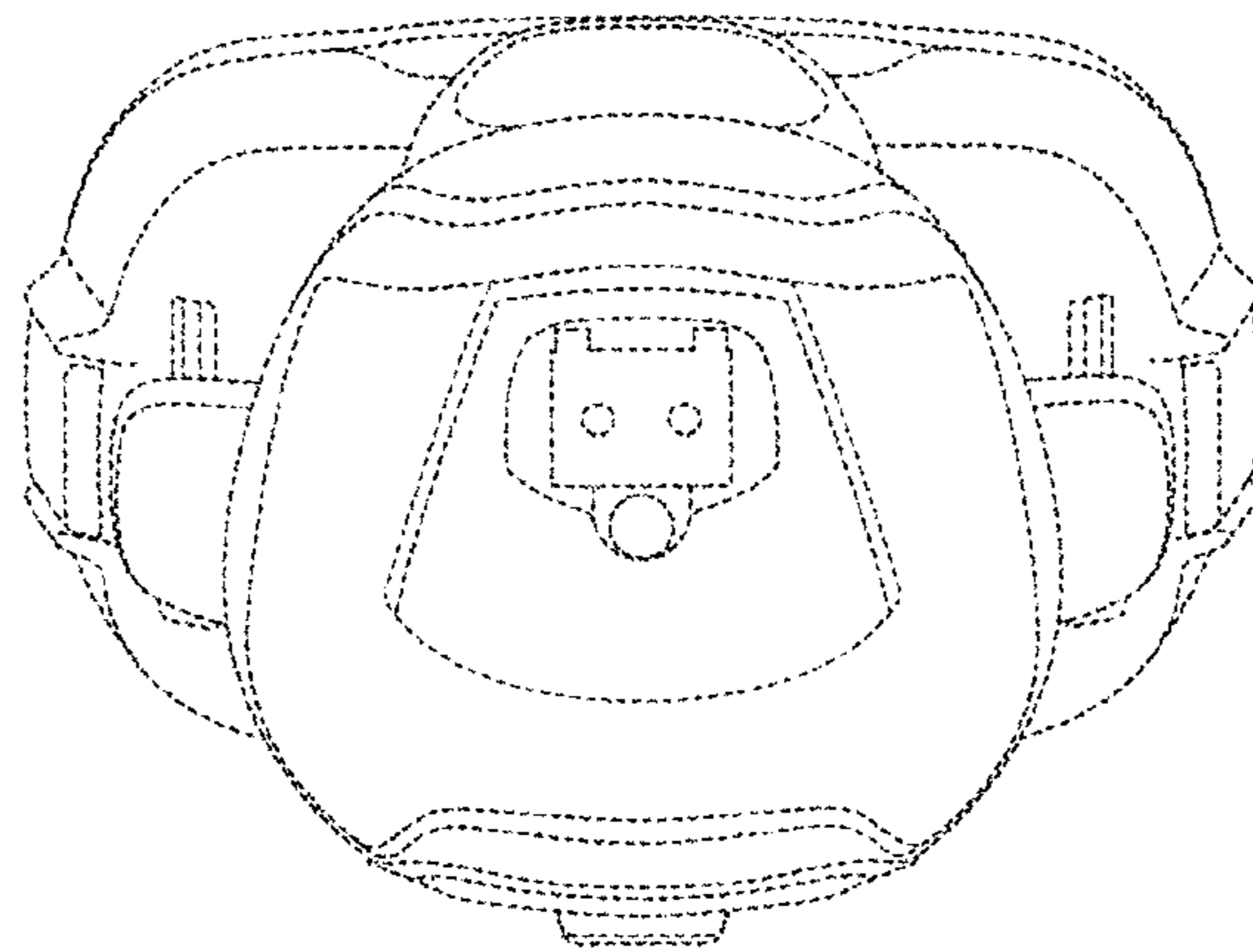


FIG. 8

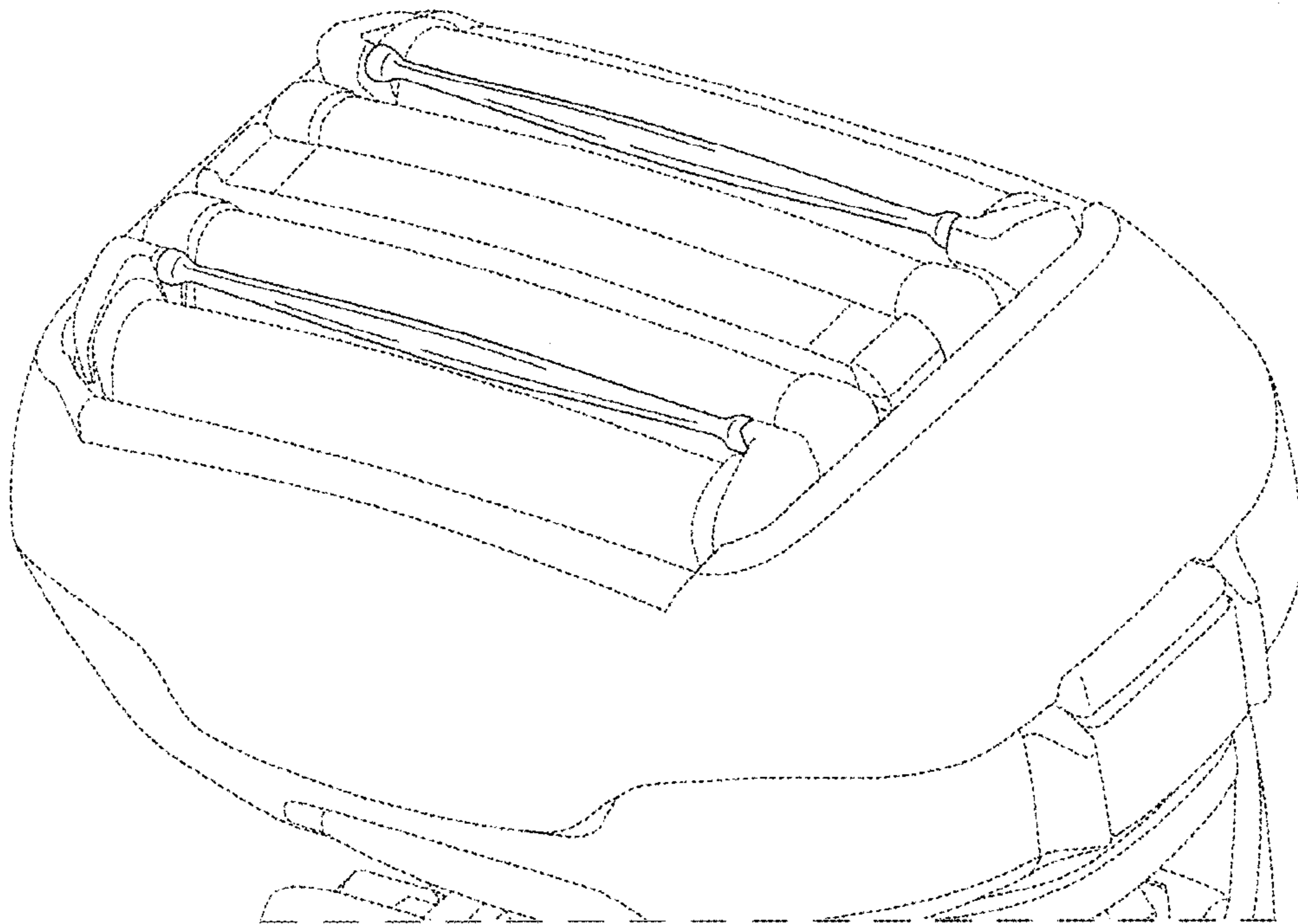


FIG.9

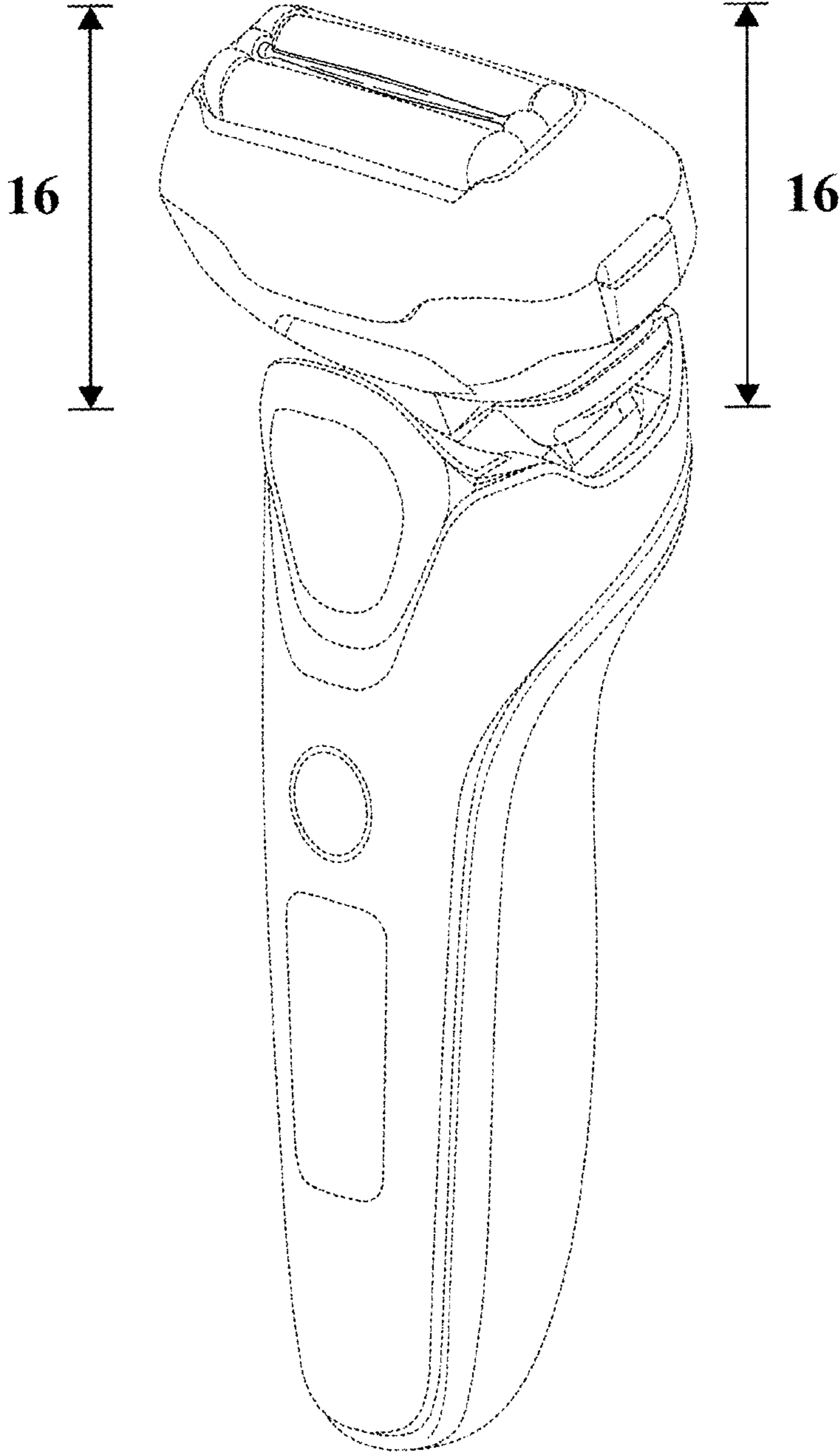


FIG. 10

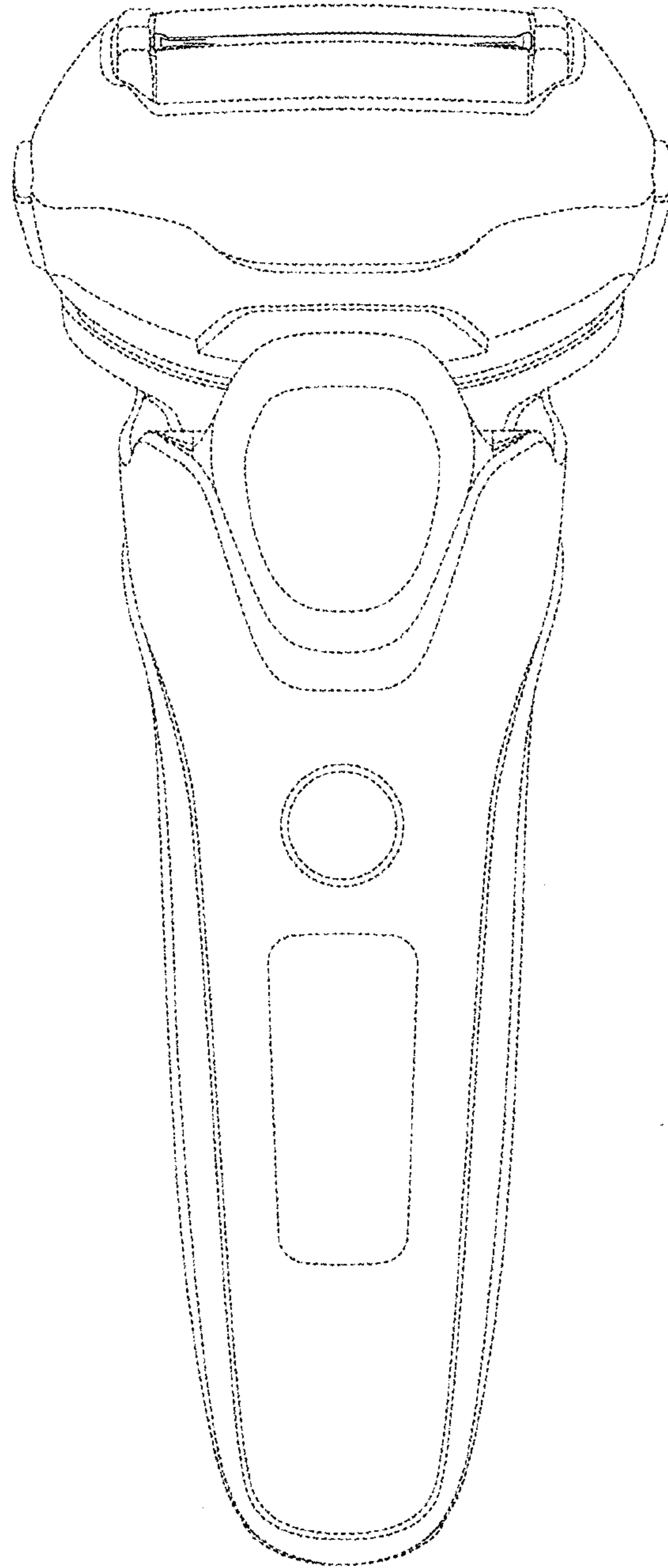


FIG. 11

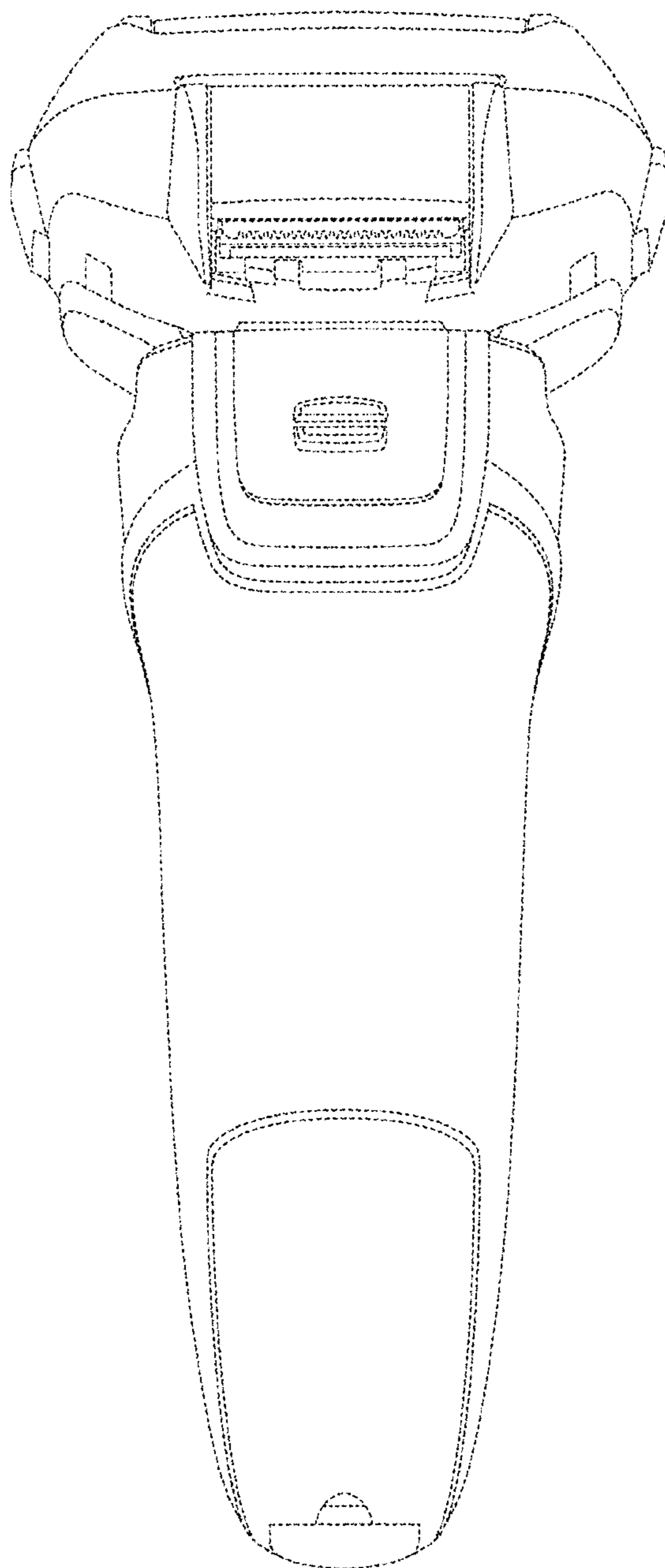


FIG. 12

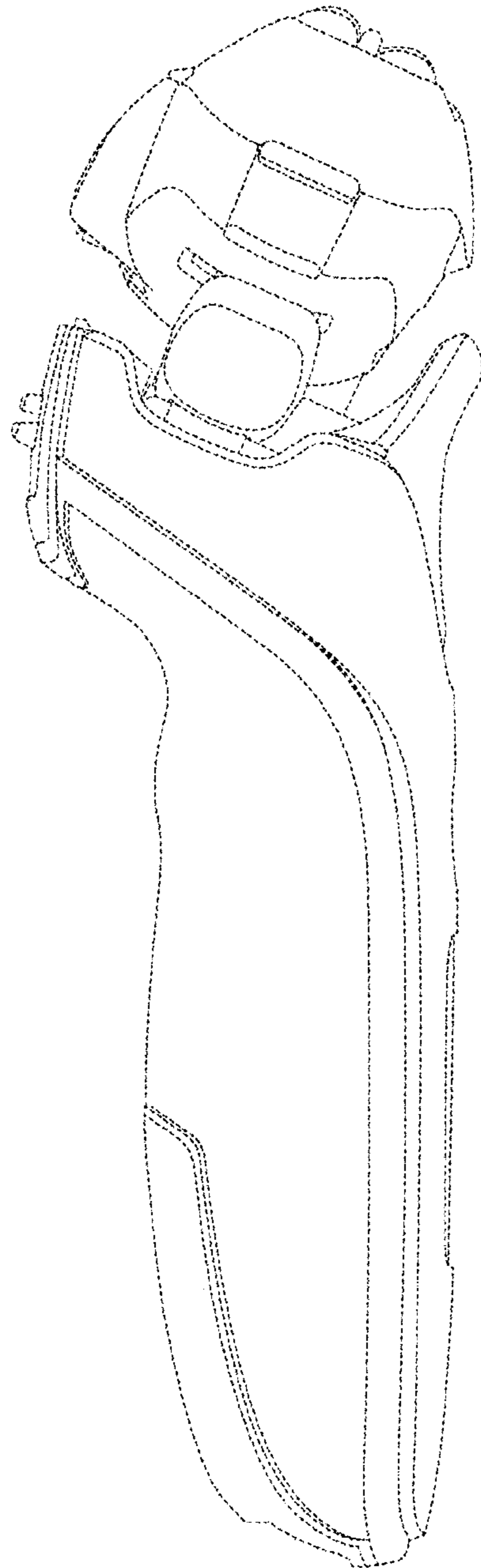


FIG.13

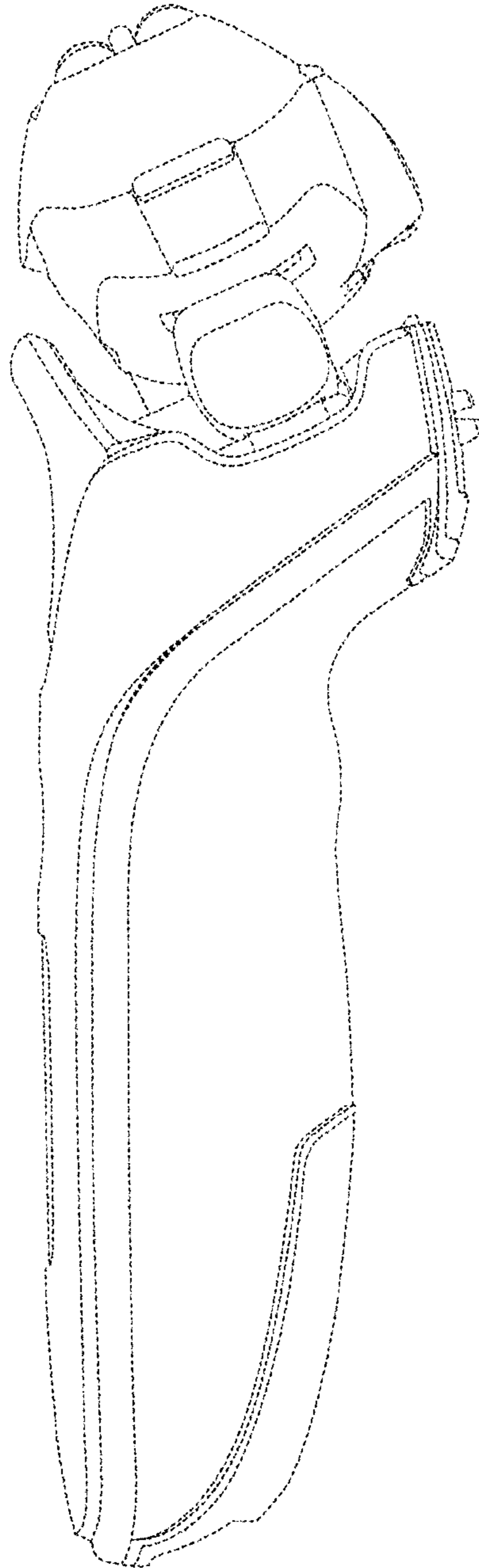


FIG. 14

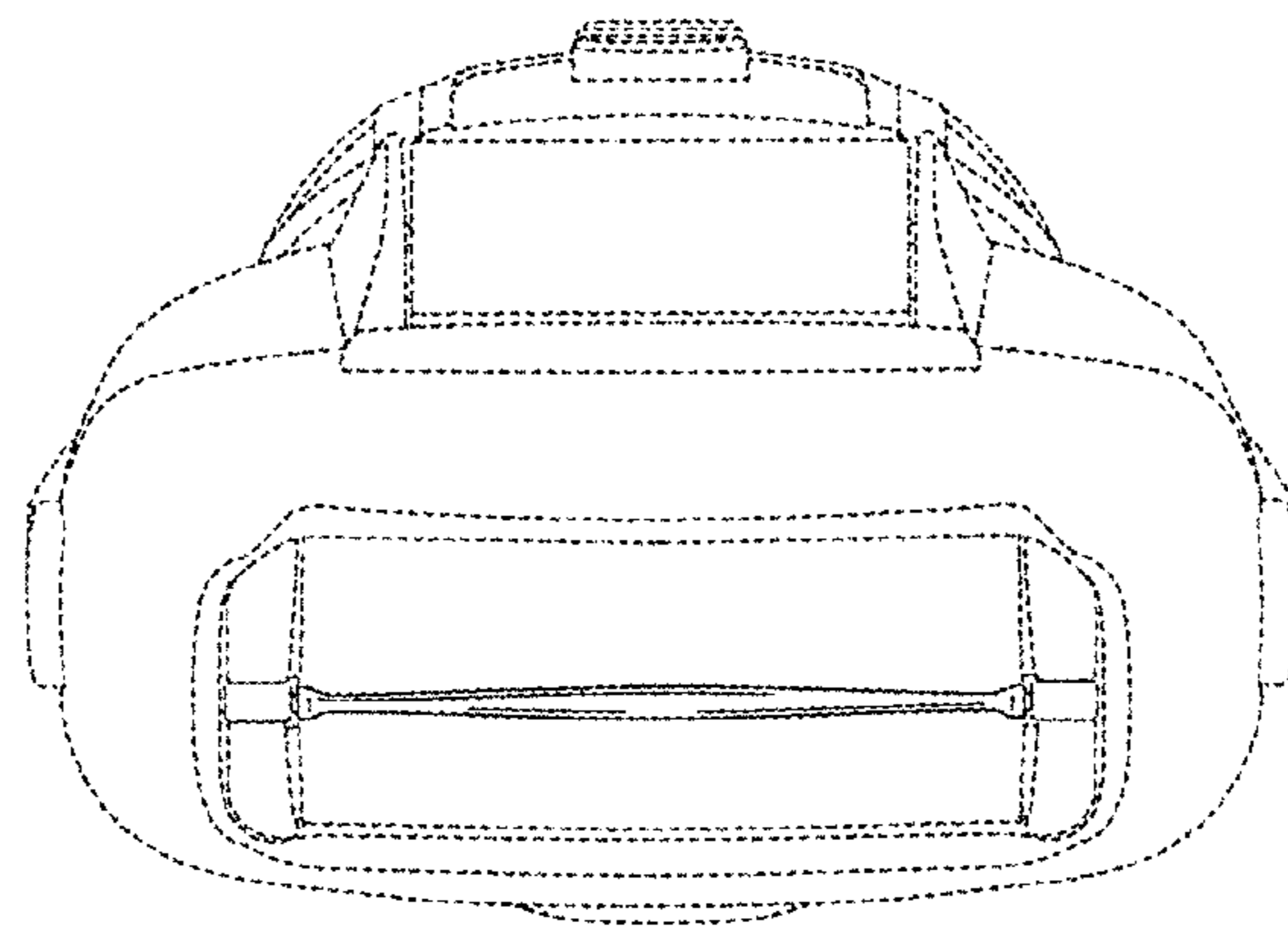




FIG.15

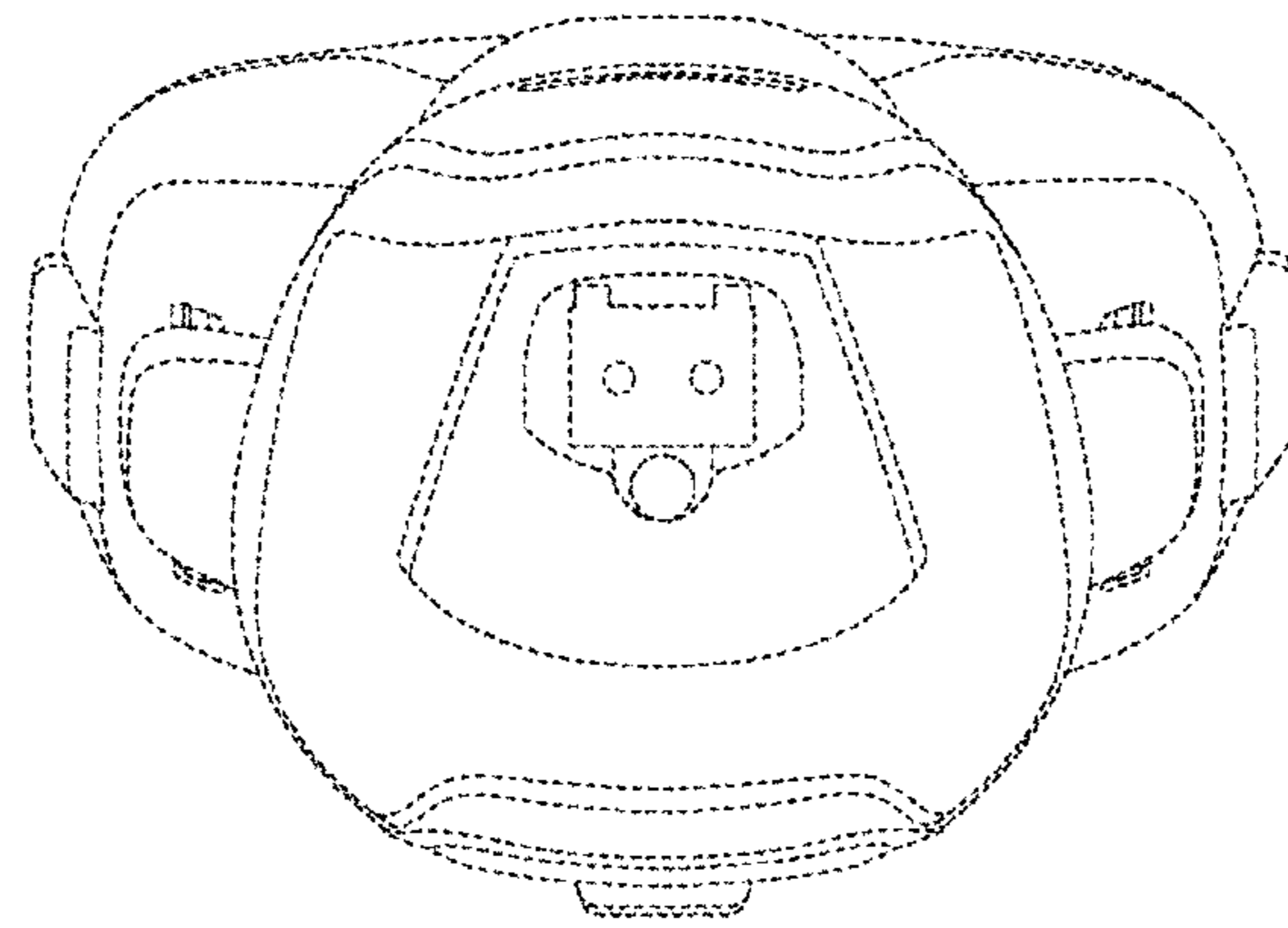


FIG.16

