



US00D752808S

(12) **United States Design Patent**
Hearn

(10) **Patent No.:** **US D752,808 S**
(45) **Date of Patent:** **** Mar. 29, 2016**

(54) **E-CIGARETTE PACK**
(71) Applicant: **Kind Consumer Limited**, London (GB)
(72) Inventor: **Alex Hearn**, London (GB)
(73) Assignee: **KIND CONSUMER LIMITED**,
London (GB)
(**) Term: **14 Years**
(21) Appl. No.: **29/503,261**
(22) Filed: **Sep. 24, 2014**
(30) **Foreign Application Priority Data**

Apr. 8, 2014 (EM) 002442855-0001

(51) **LOC (10) Cl.** **27-06**
(52) **U.S. Cl.**
USPC **D27/189**
(58) **Field of Classification Search**
USPC D3/229, 273; D9/414, 418, 420, 430,
D9/432; D27/172, 183-193
CPC A24F 15/00; A24F 15/005; A24F 15/02;
A24F 15/12; A24F 15/14; A24F 15/18;
A24F 15/20; A24F 23/00; A24F 23/02;
A24F 23/04; B65D 85/1045; B65D 85/1063;
B65D 85/1072; B65D 5/0254
See application file for complete search history.

(56) **References Cited**

U.S. PATENT DOCUMENTS

1,735,323 A * 11/1929 *Enfant* B65D 5/728
206/251
1,735,325 A * 11/1929 *Enfant* B65D 5/728
206/256

1,853,760 A * 4/1932 *Davis* A24F 15/12
206/259
D393,924 S * 4/1998 *Wright* D27/189
5,957,280 A * 9/1999 *Focke* B65D 5/549
206/264
D462,805 S * 9/2002 *Draghetti* D27/189
D462,806 S * 9/2002 *Draghetti* D27/189
6,715,605 B1 * 4/2004 *Manservigi* B65D 85/1045
206/268
D530,447 S * 10/2006 *Velloni* D27/189
D542,647 S * 5/2007 *Walter* D9/414
D596,787 S 7/2009 *Hearn*
7,565,969 B2 * 7/2009 *He* B65D 7/06
206/249
D615,700 S * 5/2010 *Borges* D27/189
D649,032 S 11/2011 *Hearn*
D721,577 S * 1/2015 *Scatterday* D9/432
D730,175 S * 5/2015 *Barad* D9/432
2010/0242975 A1 9/2010 *Hearn*
2013/0037042 A1 2/2013 *Hearn et al.*

* cited by examiner

Primary Examiner — Elizabeth Albert

(74) *Attorney, Agent, or Firm* — Patterson & Sheridan,
L.L.P.

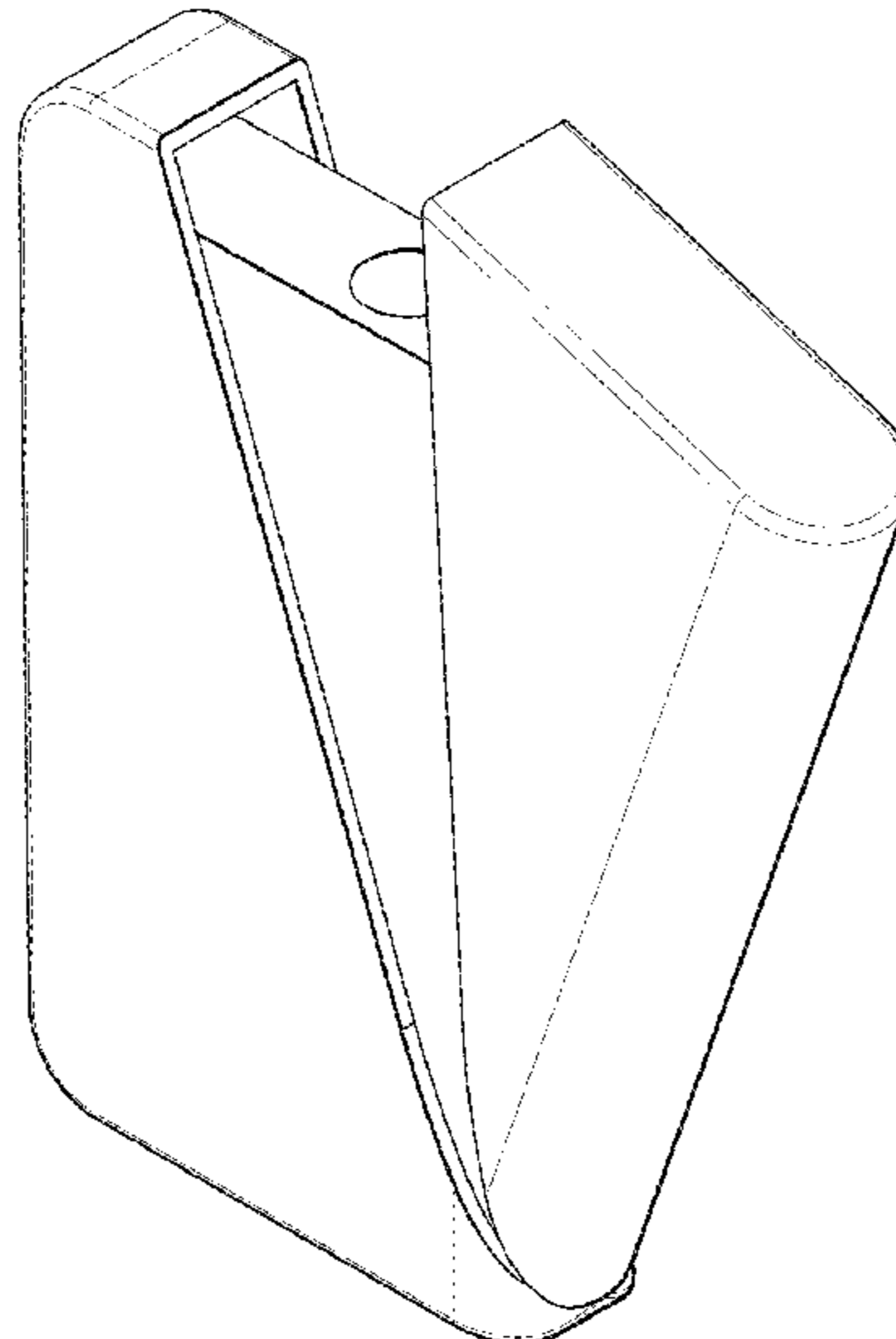
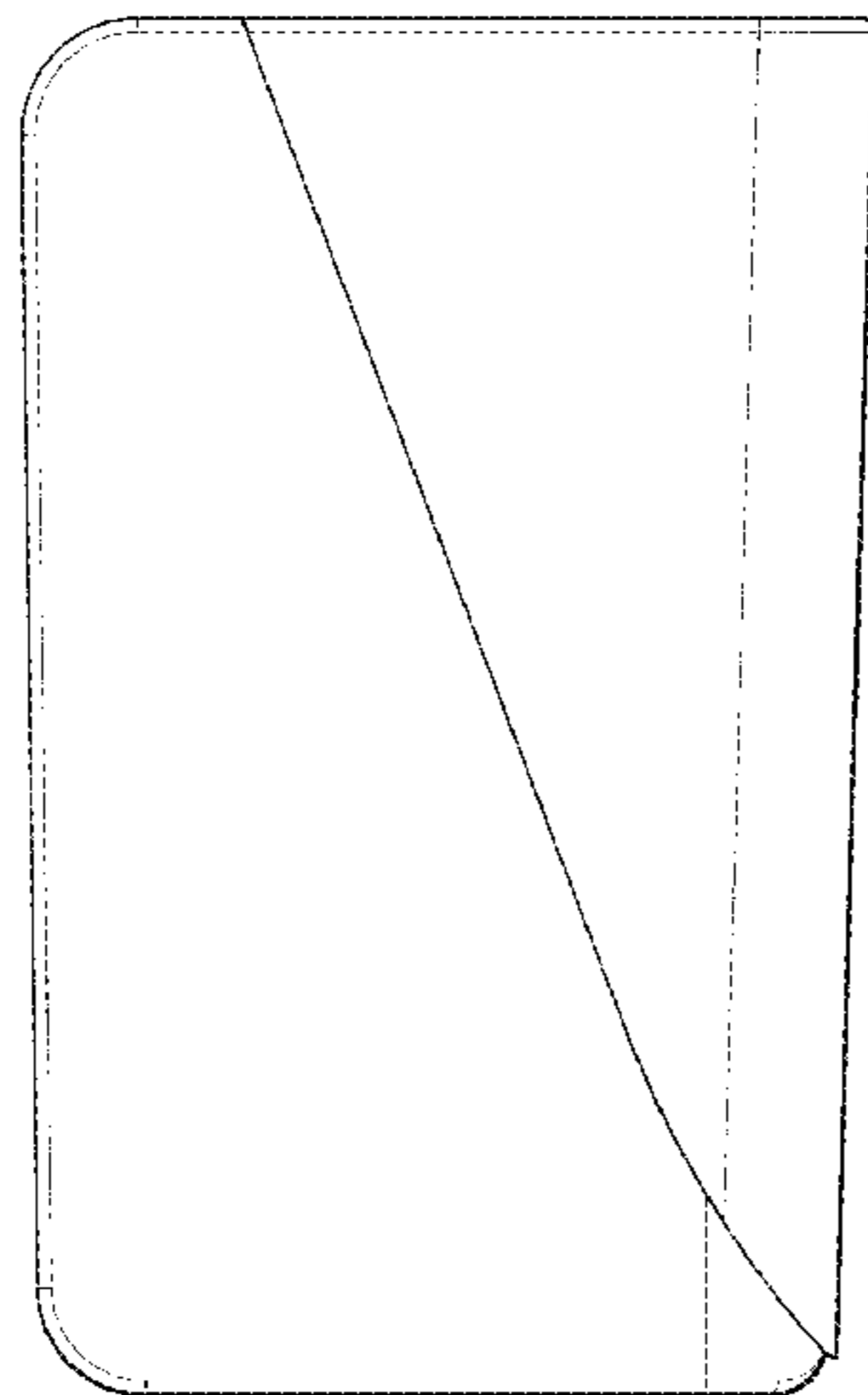
(57) **CLAIM**

The ornamental design for an e-cigarette pack, as shown and
described.

DESCRIPTION

FIG. 1 is a perspective view of an e-cigarette pack showing
my new design;
FIG. 2 is a side elevational view thereof;
FIG. 3 is a front elevational view thereof;
FIG. 4 is a rear elevational view thereof;
FIG. 5 is a top plan view thereof;
FIG. 6 is a bottom plan view thereof; and,
FIG. 7 is a perspective view thereof in an open position.

1 Claim, 7 Drawing Sheets



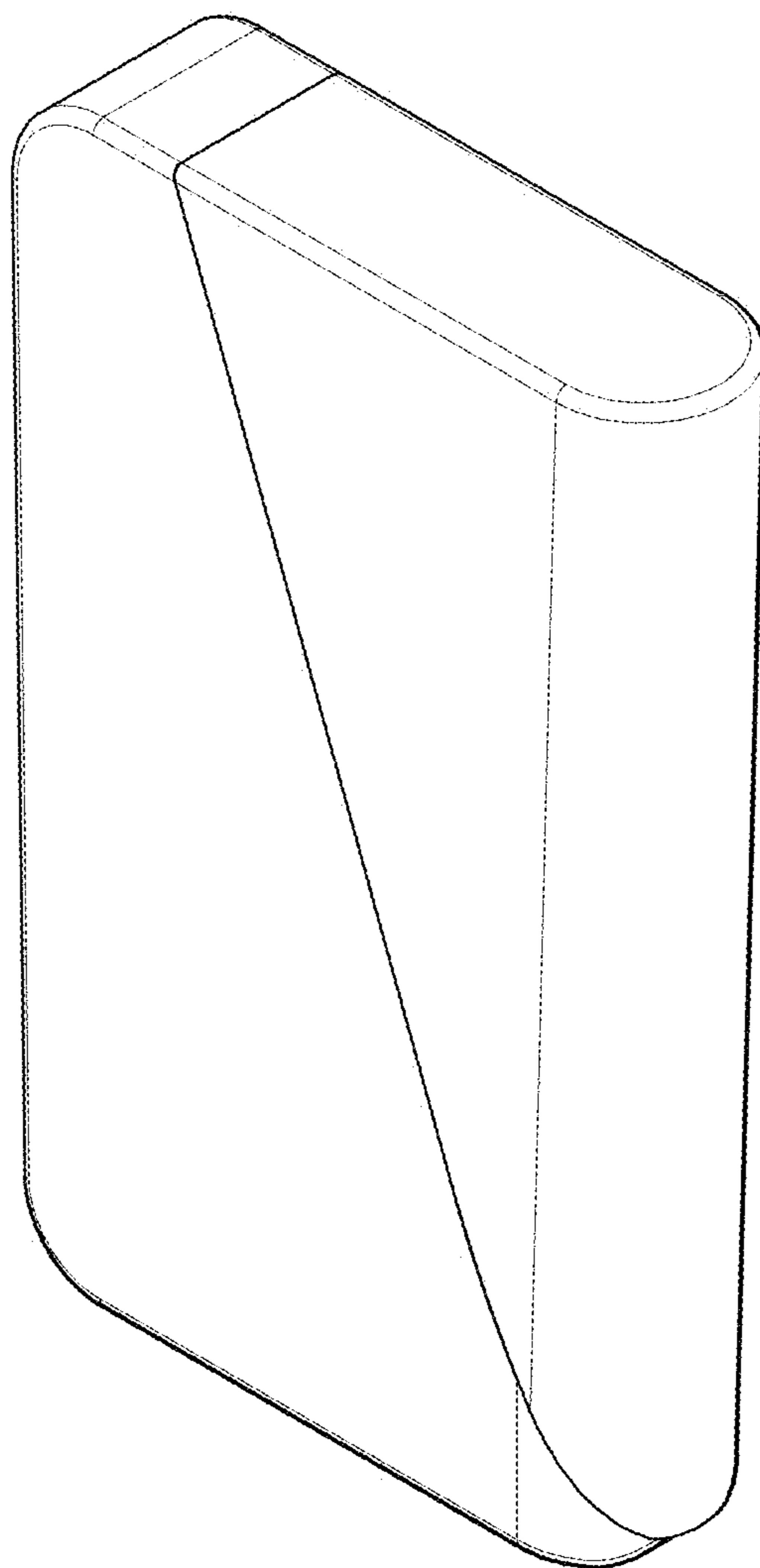


FIG. 1

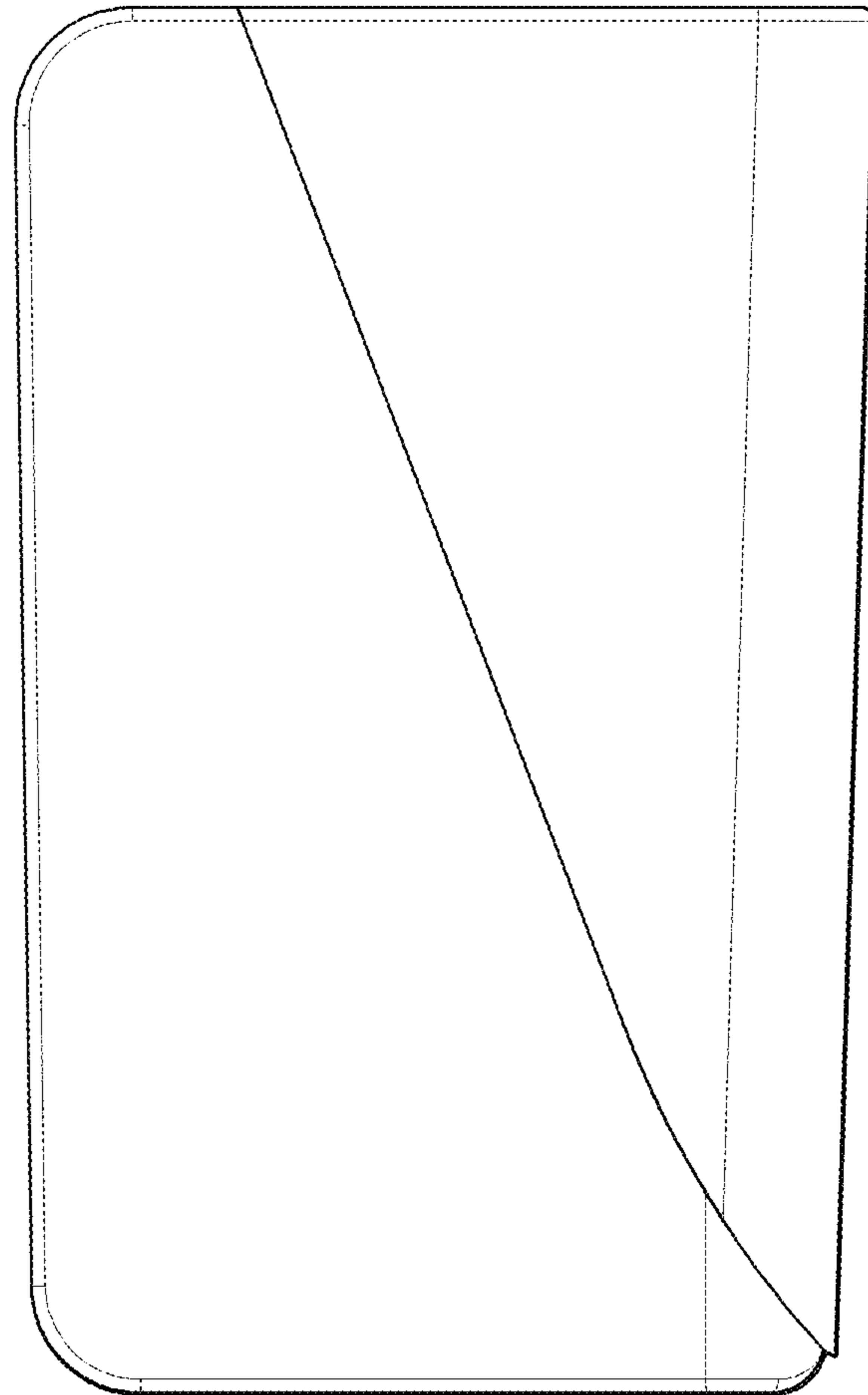


FIG. 2

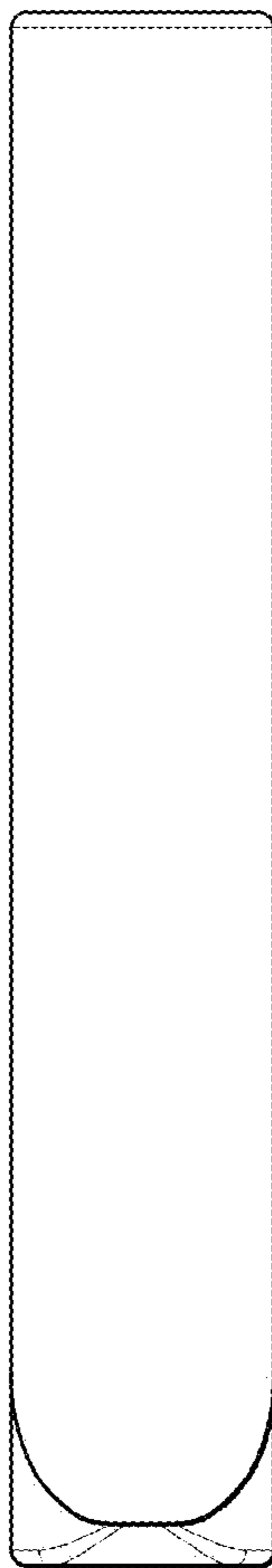


FIG. 3

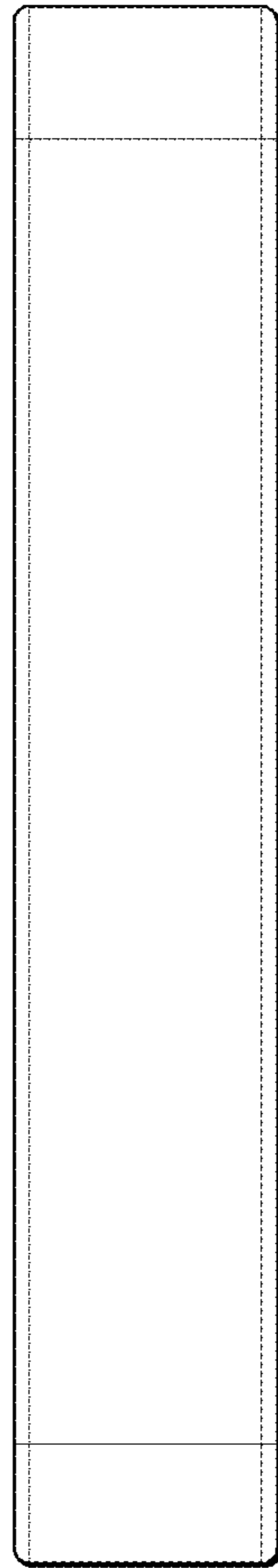


FIG. 4

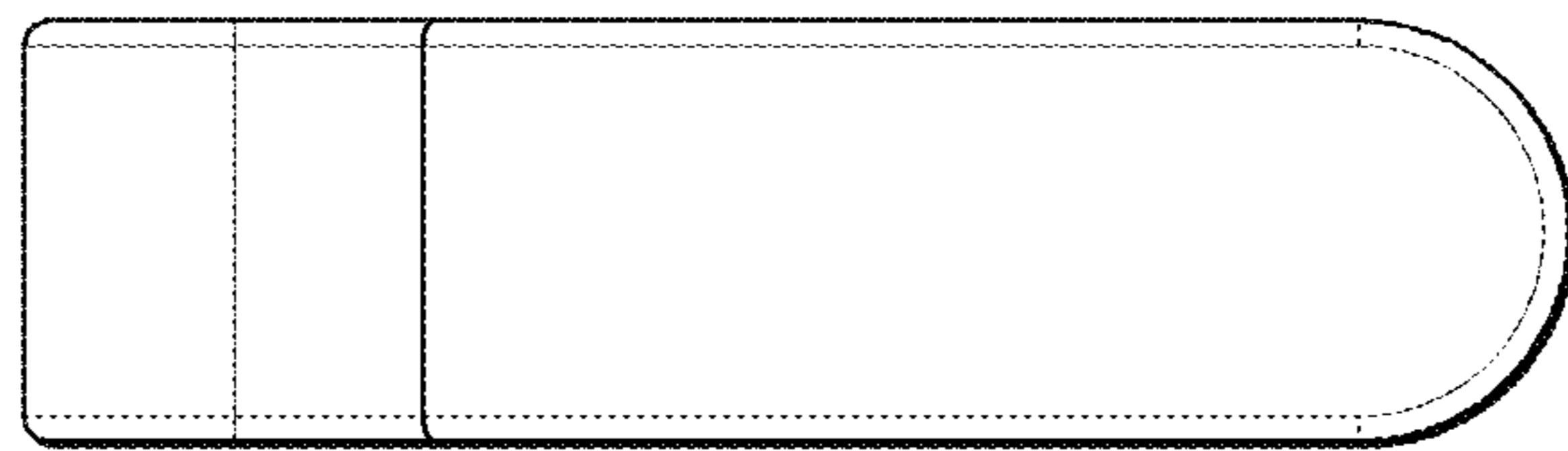


FIG. 5

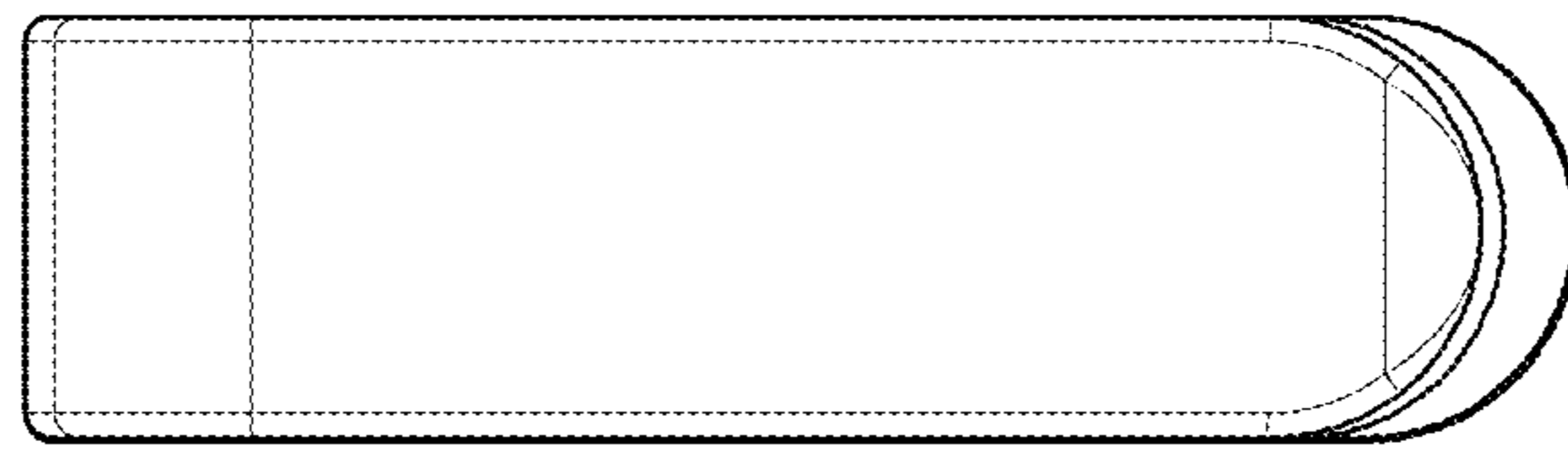


FIG. 6

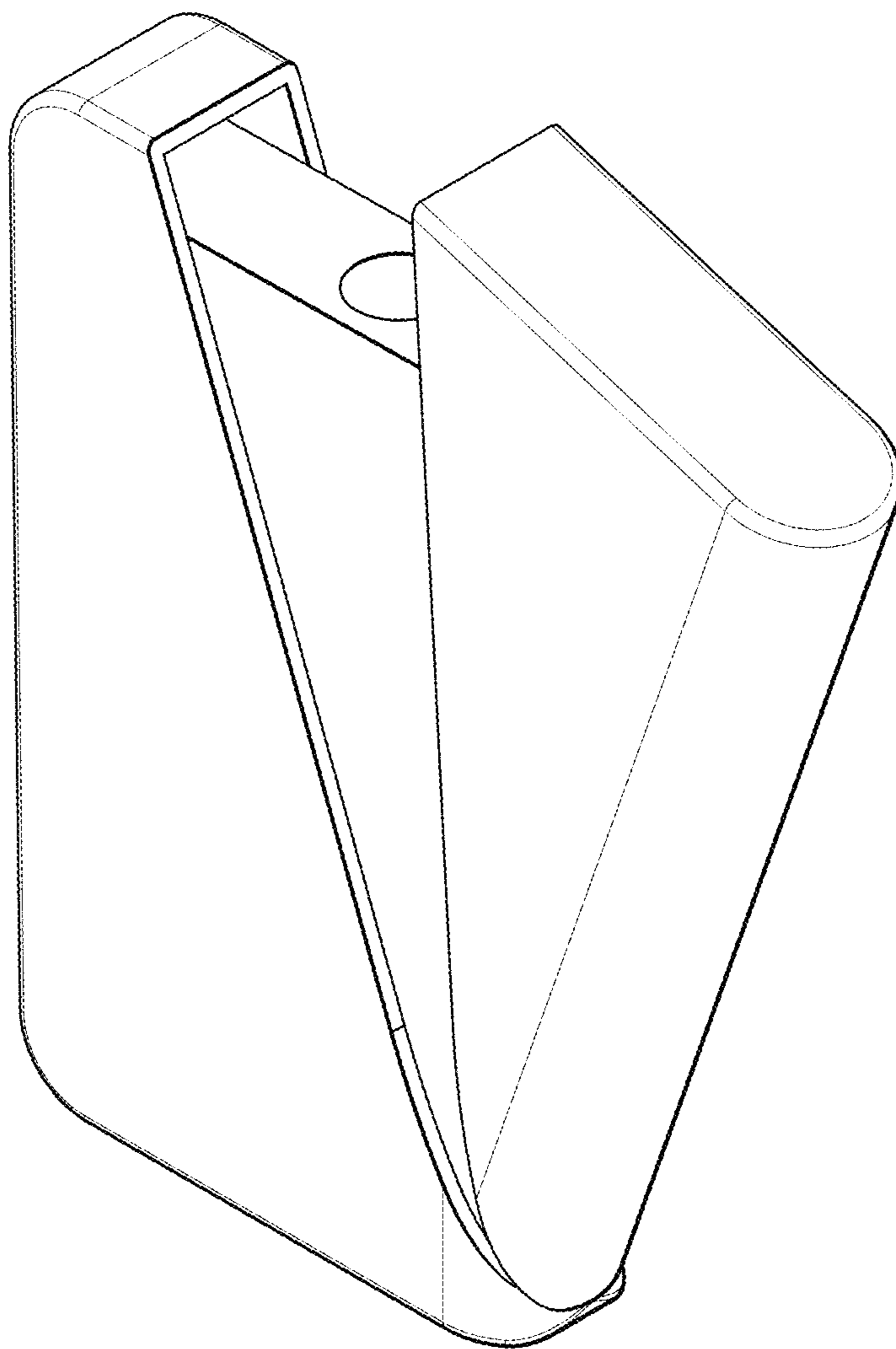


FIG. 7