



US00D752805S

(12) **United States Design Patent**
Williamson

(10) **Patent No.:** **US D752,805 S**
(45) **Date of Patent:** **** Mar. 29, 2016**

(54) **LAMP HARP ADAPTER**

(71) Applicant: **Hollymount, Ltd.**, North Chatham, NY
(US)

(72) Inventor: **Joseph Williamson**, North Chatham, NY
(US)

(73) Assignee: **Hollymount, Ltd.**, North Chatham, NY
(US)

(**) Term: **14 Years**

(21) Appl. No.: **29/506,343**

(22) Filed: **Oct. 15, 2014**

Related U.S. Application Data

(63) Continuation-in-part of application No. 29/490,196,
filed on May 7, 2014.

(51) **LOC (10) Cl.** **26-99**

(52) **U.S. Cl.**
USPC **D26/141**

(58) **Field of Classification Search**

USPC D26/72, 74, 75, 76, 78, 79, 80, 81, 82,
D26/83, 85, 86, 88, 90, 113, 118, 119, 120,
D26/121, 122, 138, 139, 140, 141, 142
CPC F21S 6/00; F21S 6/004; F21S 6/006;
F21S 8/00; F21S 8/024; F21S 8/026; F21S
8/031; F21S 8/035-8/037; F21S 8/04; F21S
8/043; F21S 8/063; F21V 17/02; F21V 17/04;
F21V 17/06; F21V 21/002; F21V 21/02;
F21V 21/03; F21V 21/04; F21V 21/14;
F21V 23/02; F21V 23/04; F21V 23/0442
See application file for complete search history.

(56) **References Cited**

U.S. PATENT DOCUMENTS

D225,672 S * 12/1972 Thunman D26/138
D232,321 S * 8/1974 Boissevain D26/141

(Continued)

Primary Examiner — George D Kirschbaum

Assistant Examiner — Natasha Vujcic

(74) *Attorney, Agent, or Firm* — Kelley Drye & Warren LLP

(57) **CLAIM**

The ornamental design for a lamp harp adapter, as shown and described.

DESCRIPTION

FIG. 1 is a perspective view of a lamp harp adapter according to a first embodiment of the present invention;

FIG. 2 is a front view of the lamp harp adapter according to the first embodiment;

FIG. 3 is a rear view of the lamp harp adapter according to the first embodiment;

FIG. 4 is a top view of the lamp harp adapter according to the first embodiment;

FIG. 5 is a bottom view of the lamp harp adapter according to the first embodiment;

FIG. 6 is a right side view of the lamp harp adapter according to the first embodiment;

FIG. 7 is a left side view of the lamp harp adapter according to the first embodiment;

FIG. 8 is a perspective view of the lamp harp adapter according to a second embodiment of the present invention;

FIG. 9 is a front view of the lamp harp adapter according to the second embodiment;

FIG. 10 is a rear view of the lamp harp adapter according to the second embodiment;

FIG. 11 is a top view of the lamp harp adapter according to the second embodiment;

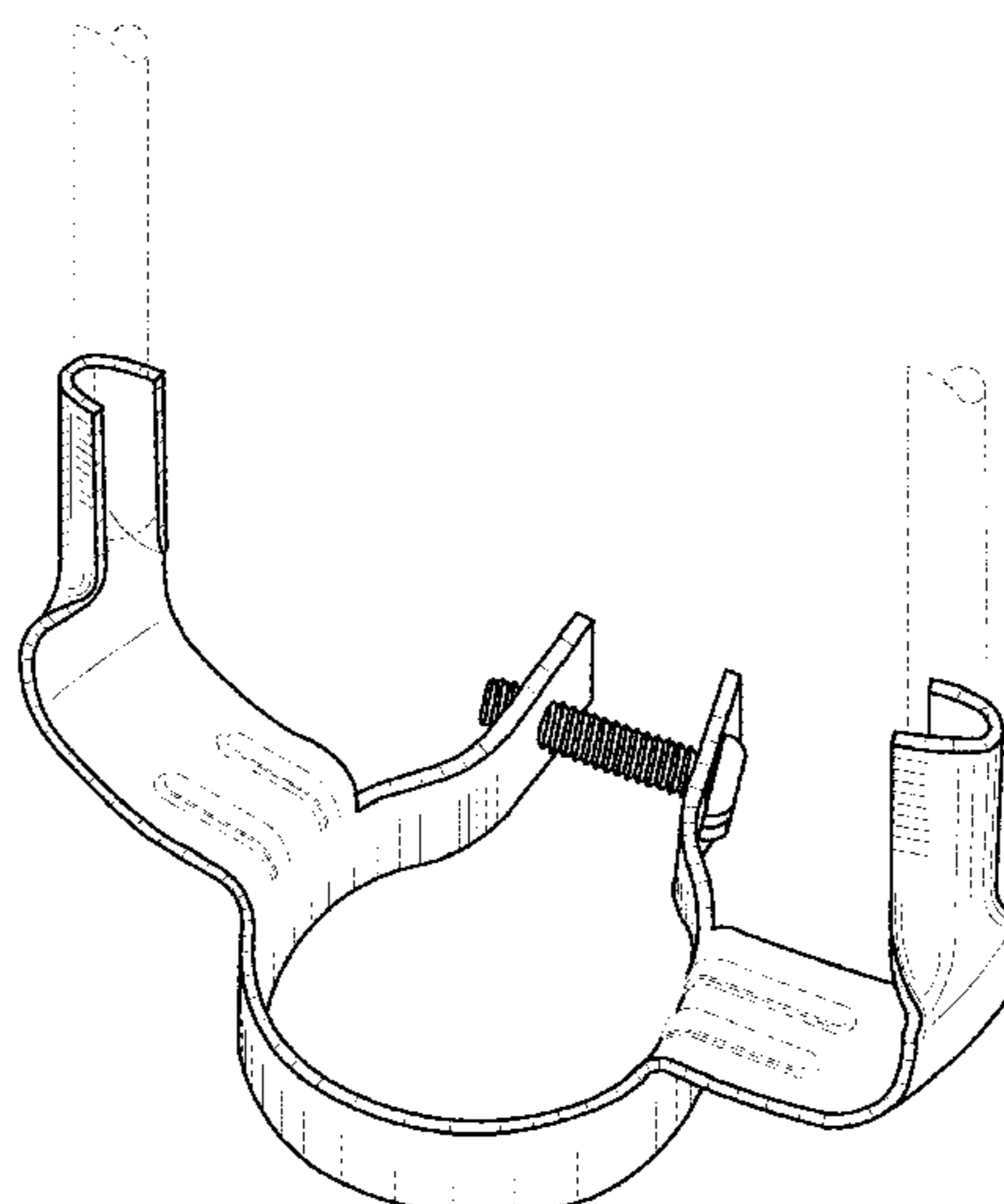
FIG. 12 is a bottom view of the lamp harp adapter according to the second embodiment;

FIG. 13 is a right side view of the lamp harp adapter according to the second embodiment; and,

FIG. 14 is a left side view of the lamp harp adapter according to the second embodiment.

The broken lines in the drawings illustrate portions of the lamp harp adapter which form no part of the claimed design.

1 Claim, 8 Drawing Sheets



US D752,805 S

Page 2

(56)

References Cited

U.S. PATENT DOCUMENTS

D378,145 S * 2/1997 Cohon D26/141
D421,664 S * 3/2000 Sherman D26/140
D606,701 S * 12/2009 Chandler D26/141
D664,707 S * 7/2012 Toft D26/142

D676,191 S * 2/2013 Barrett D26/141
D692,611 S * 10/2013 Silver D26/138
D703,372 S * 4/2014 Martin D26/138
2010/0177502 A1* 7/2010 Lau F21V 19/02
362/105
2013/0010471 A1* 1/2013 Dalsgaard F21V 21/30
362/249.1

* cited by examiner

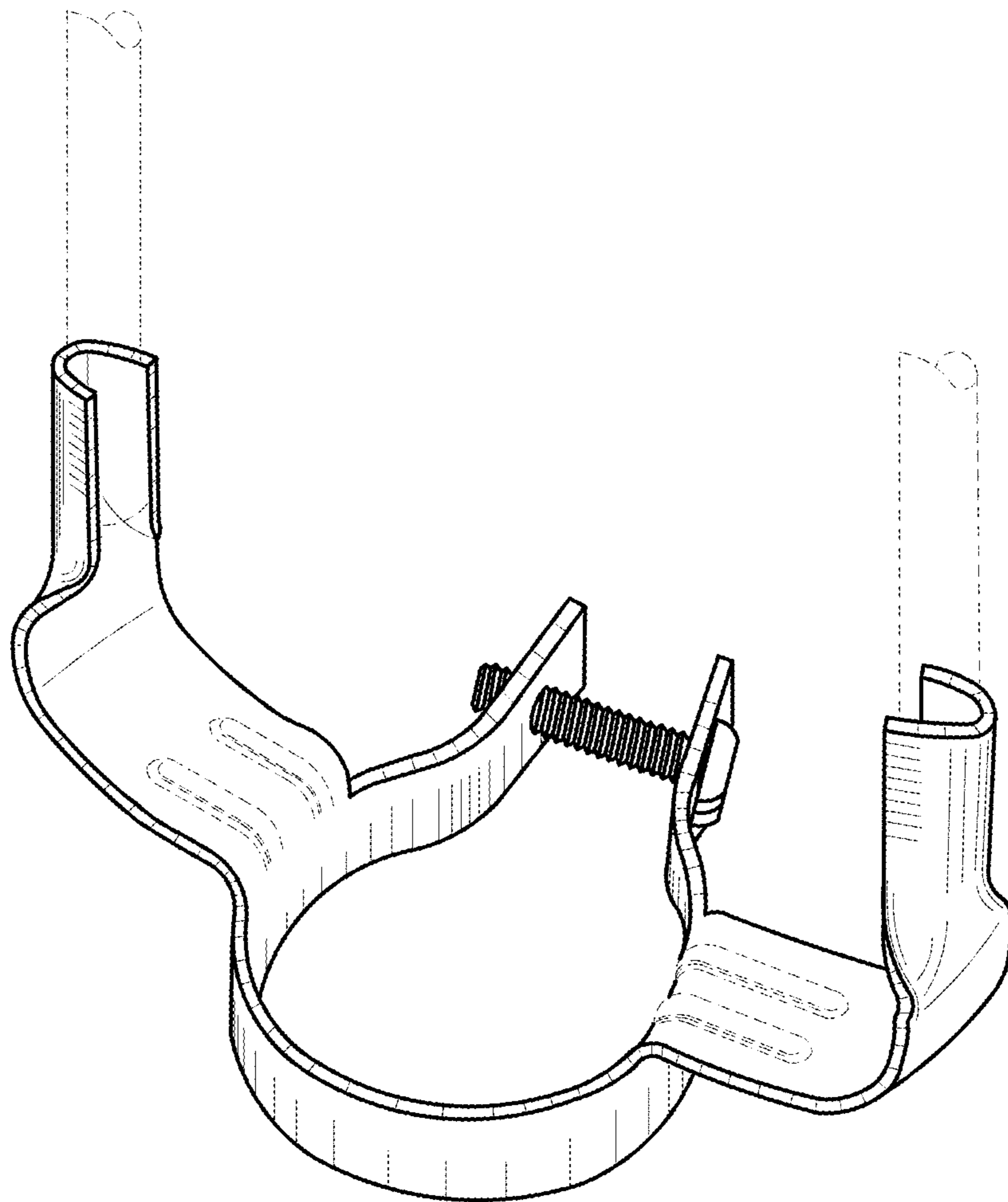


FIG. 1

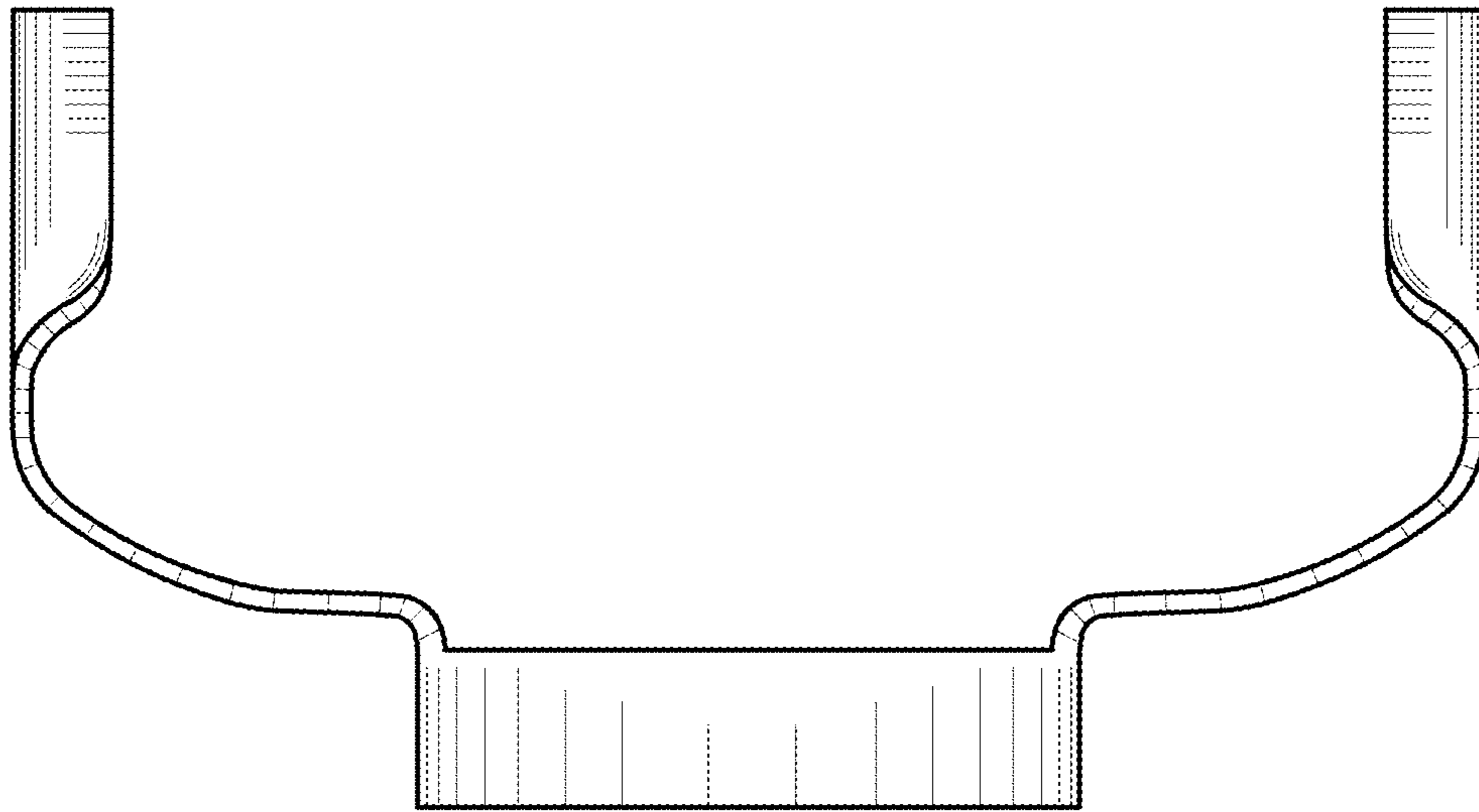


FIG. 2

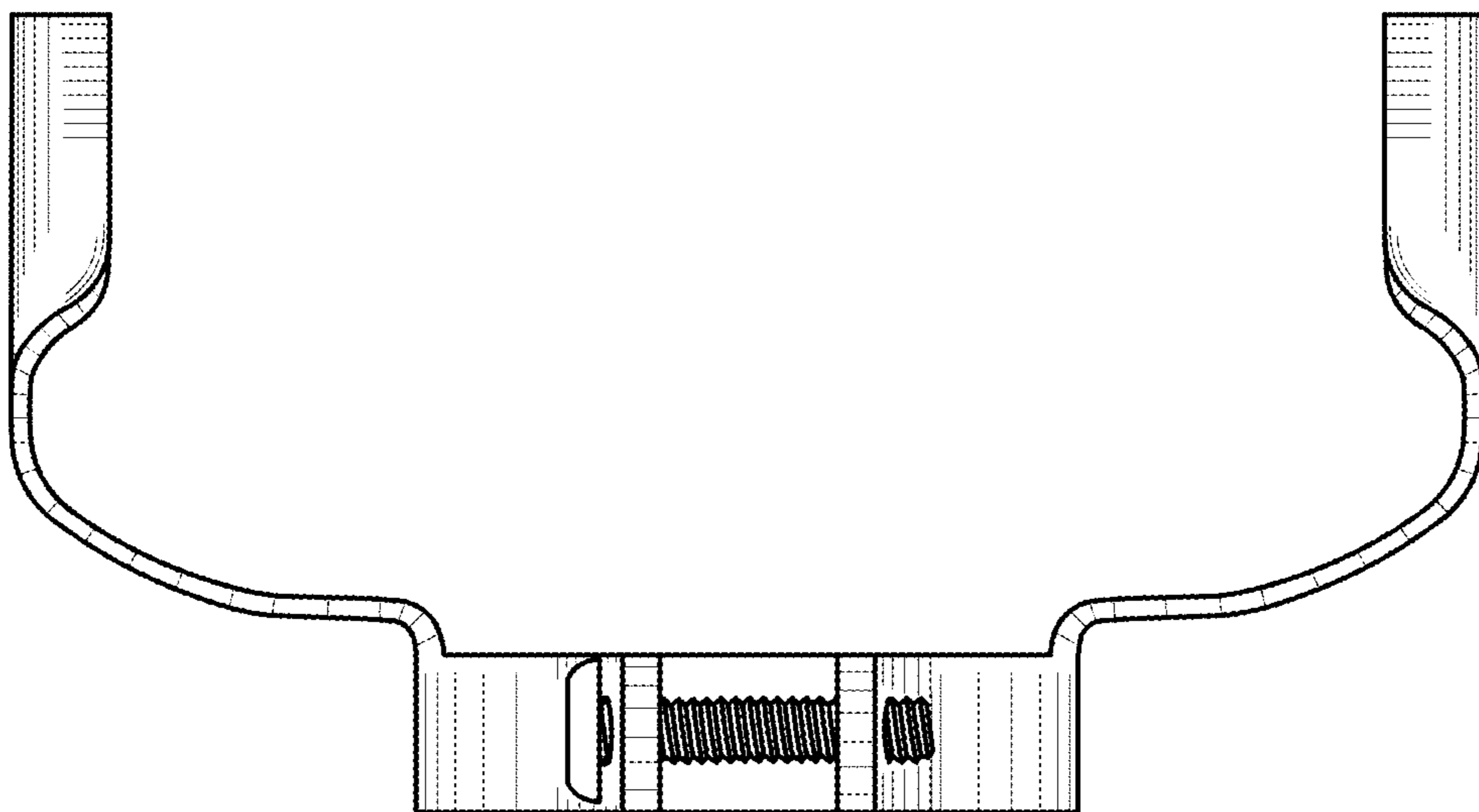


FIG. 3

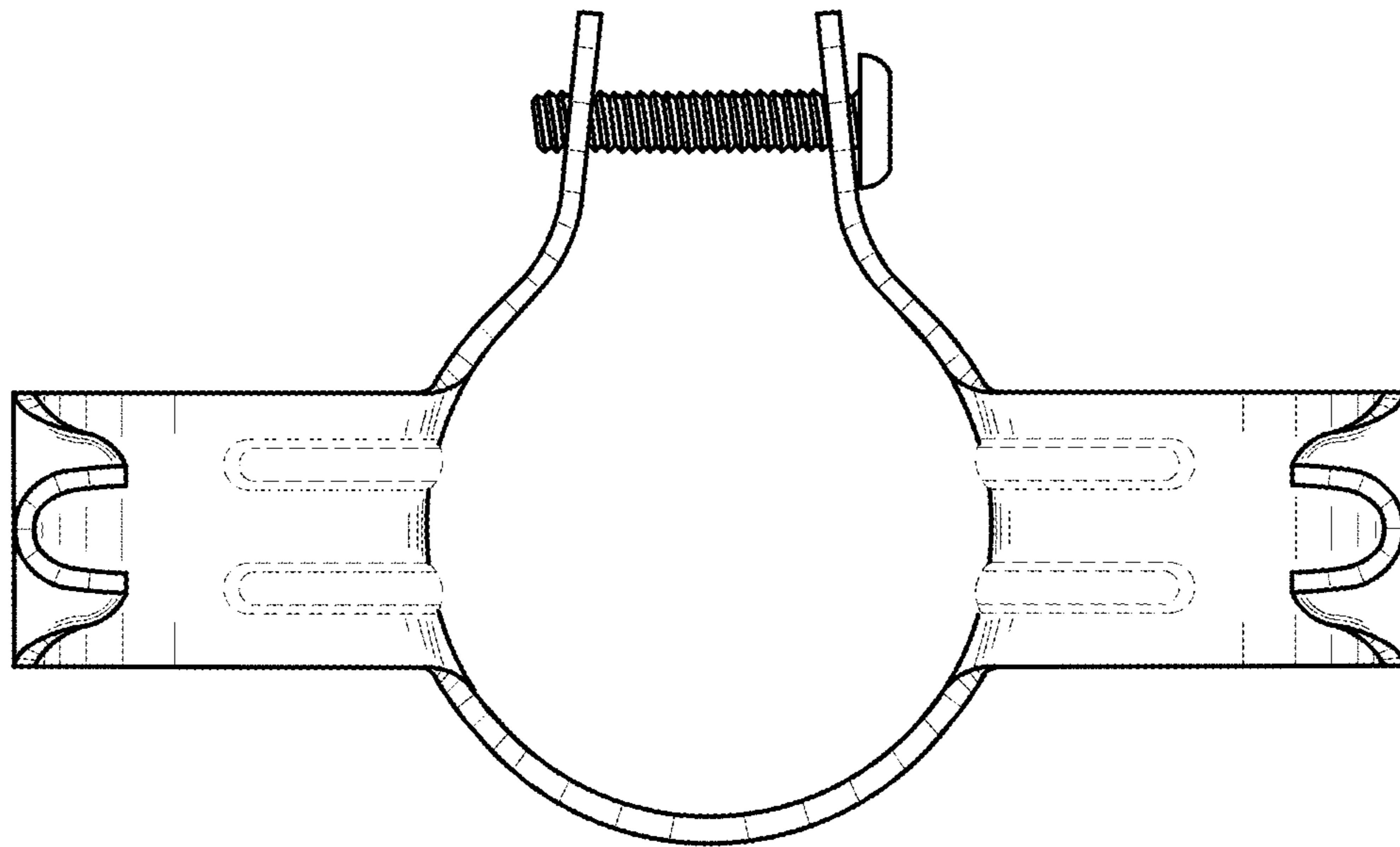


FIG. 4

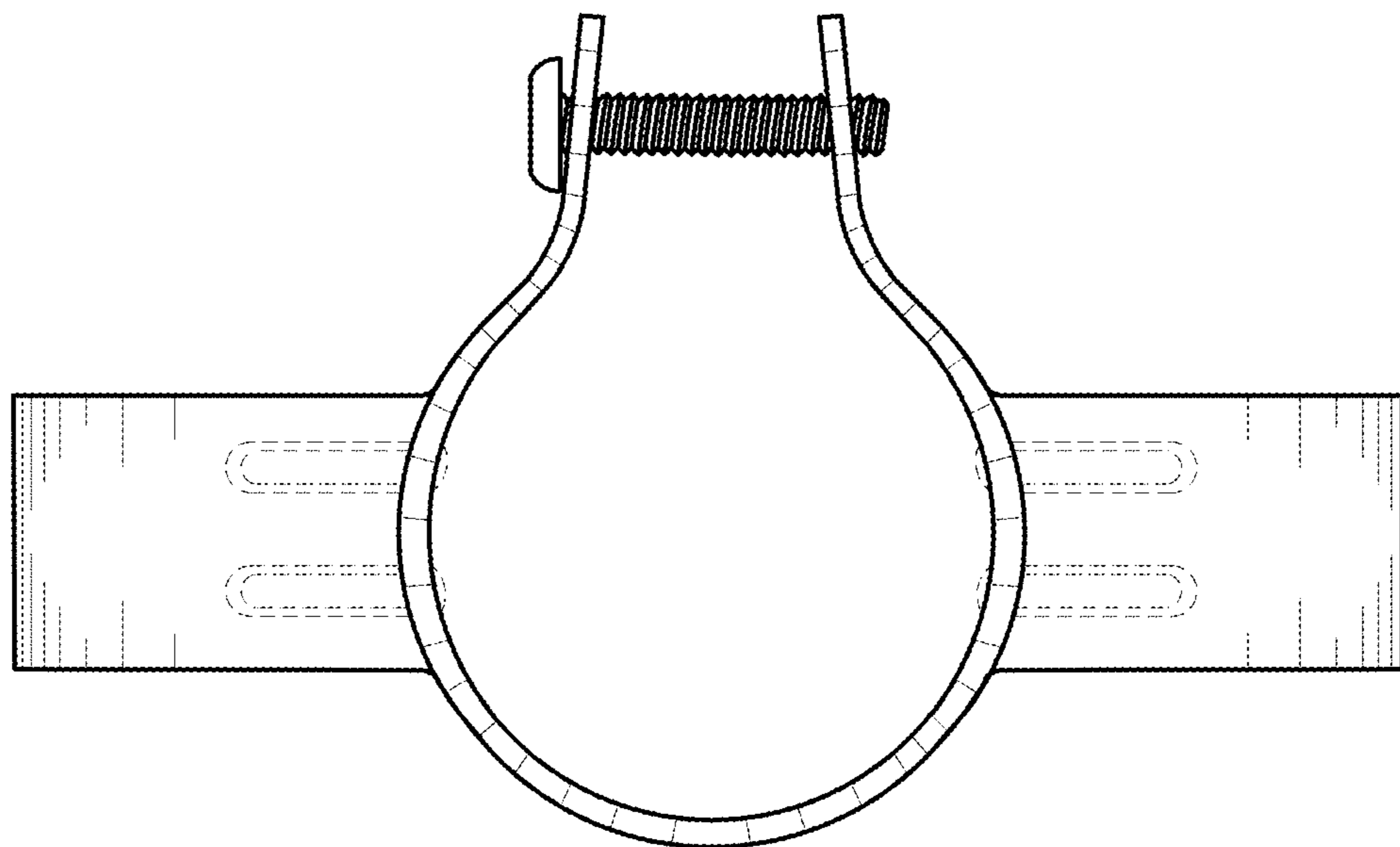


FIG. 5

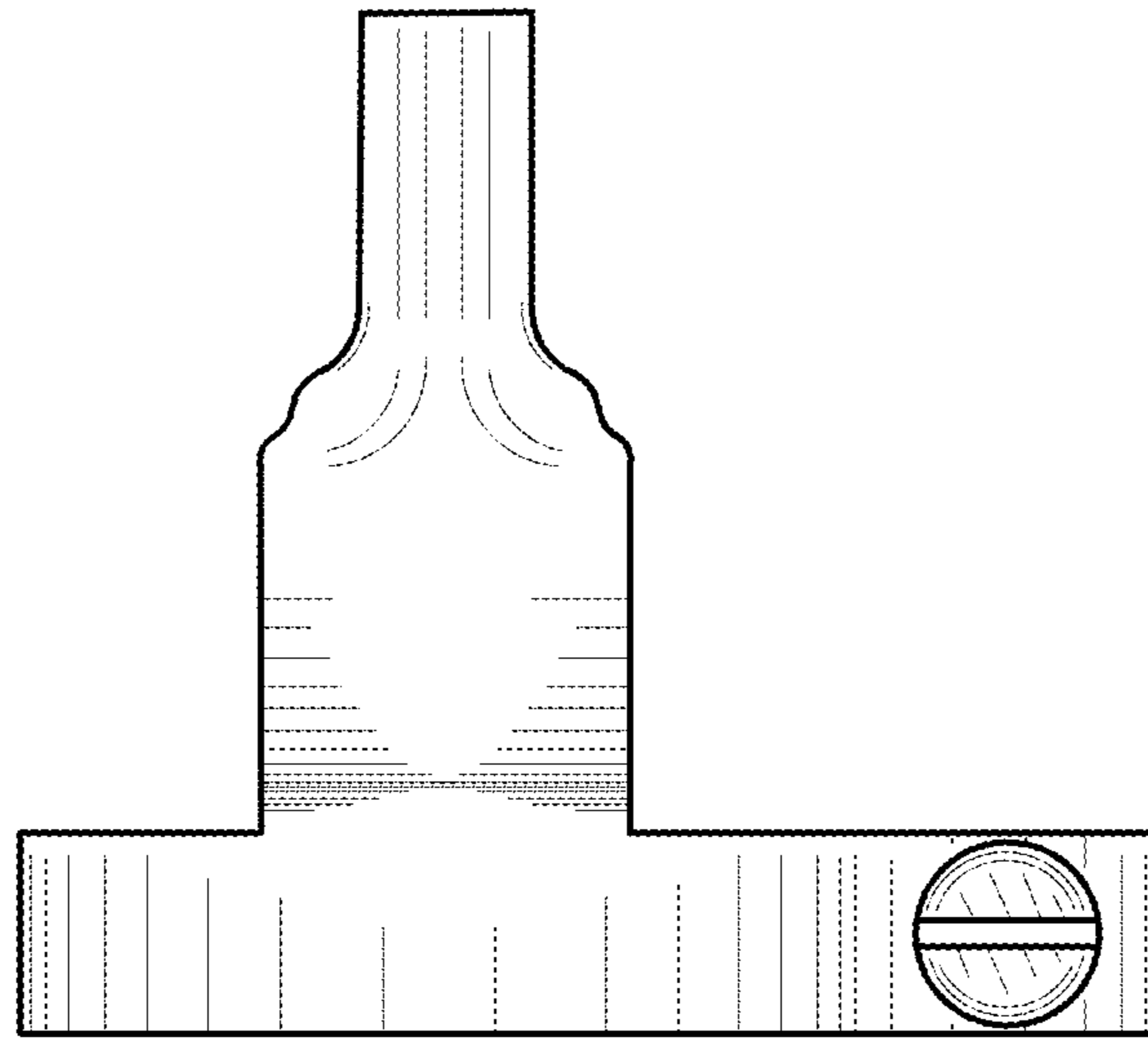


FIG. 6

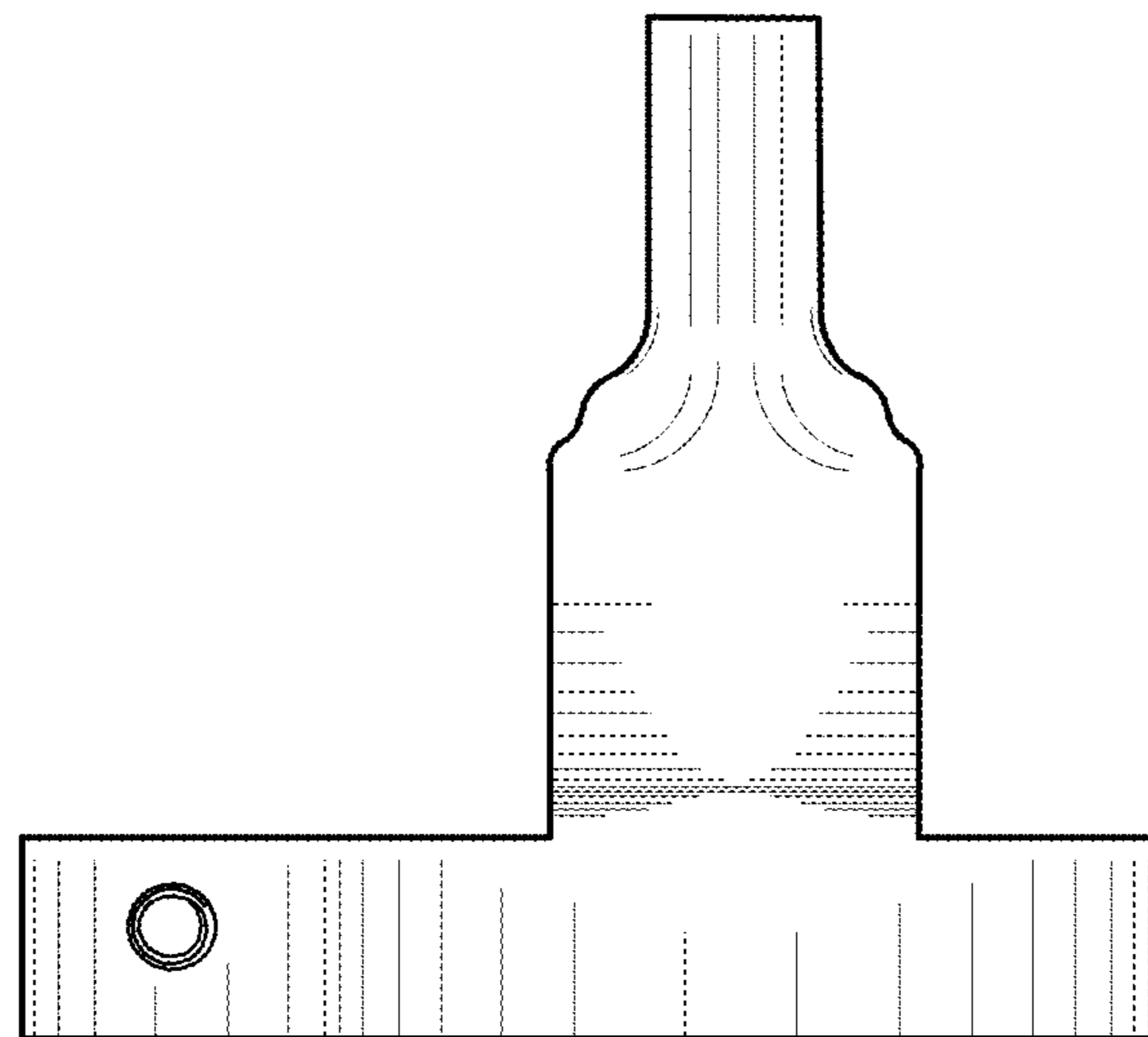


FIG. 7

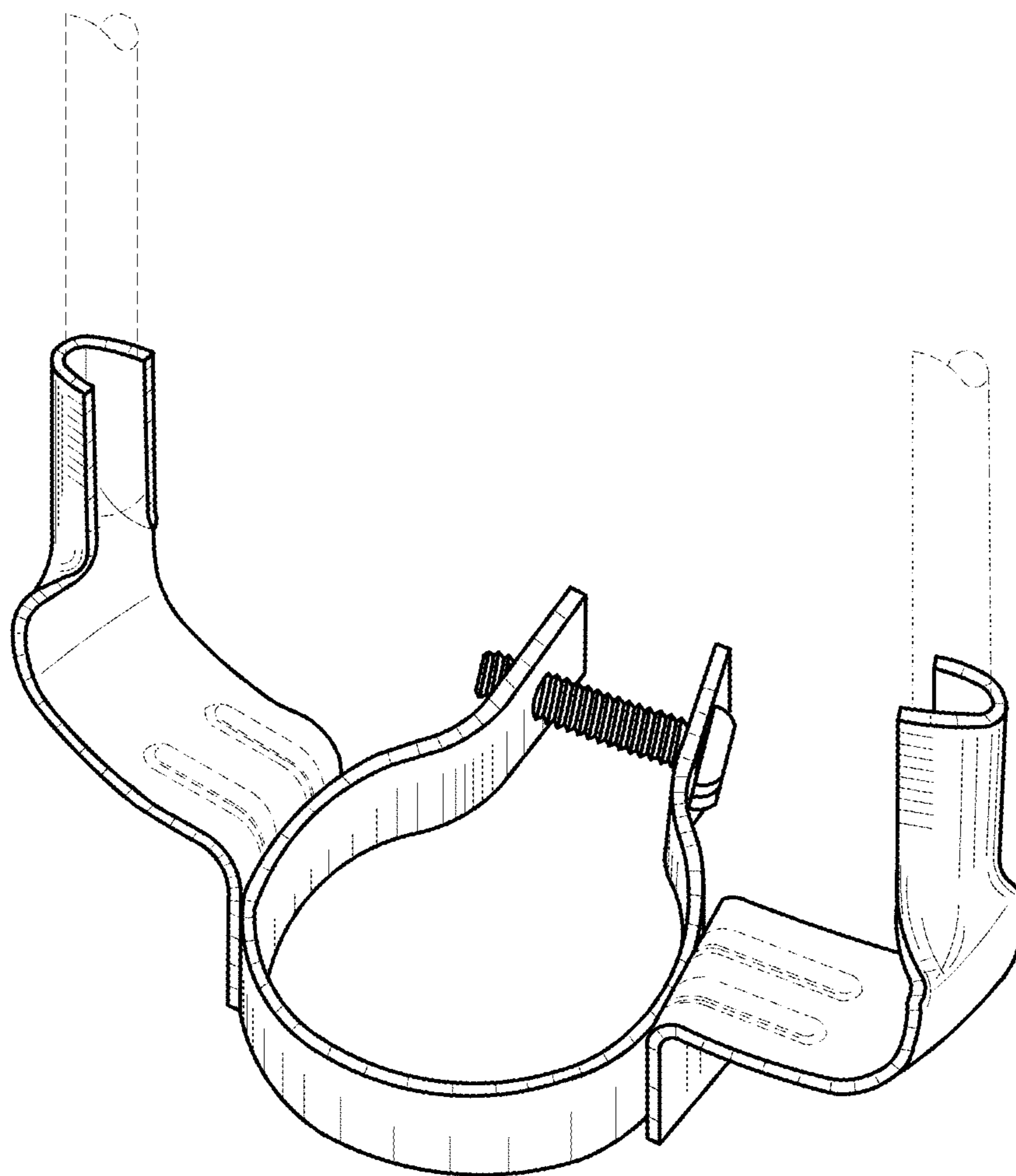


FIG. 8

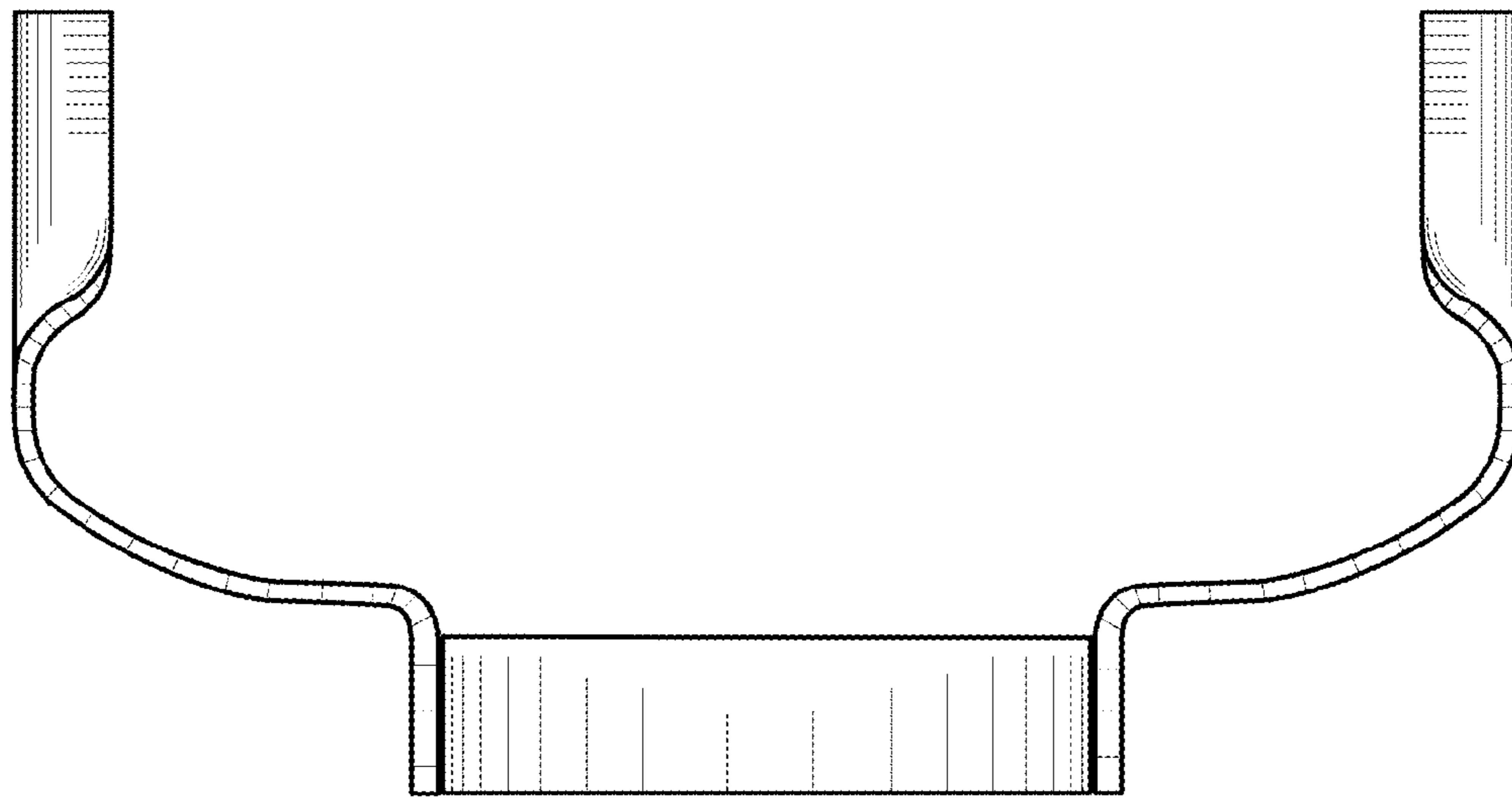


FIG. 9

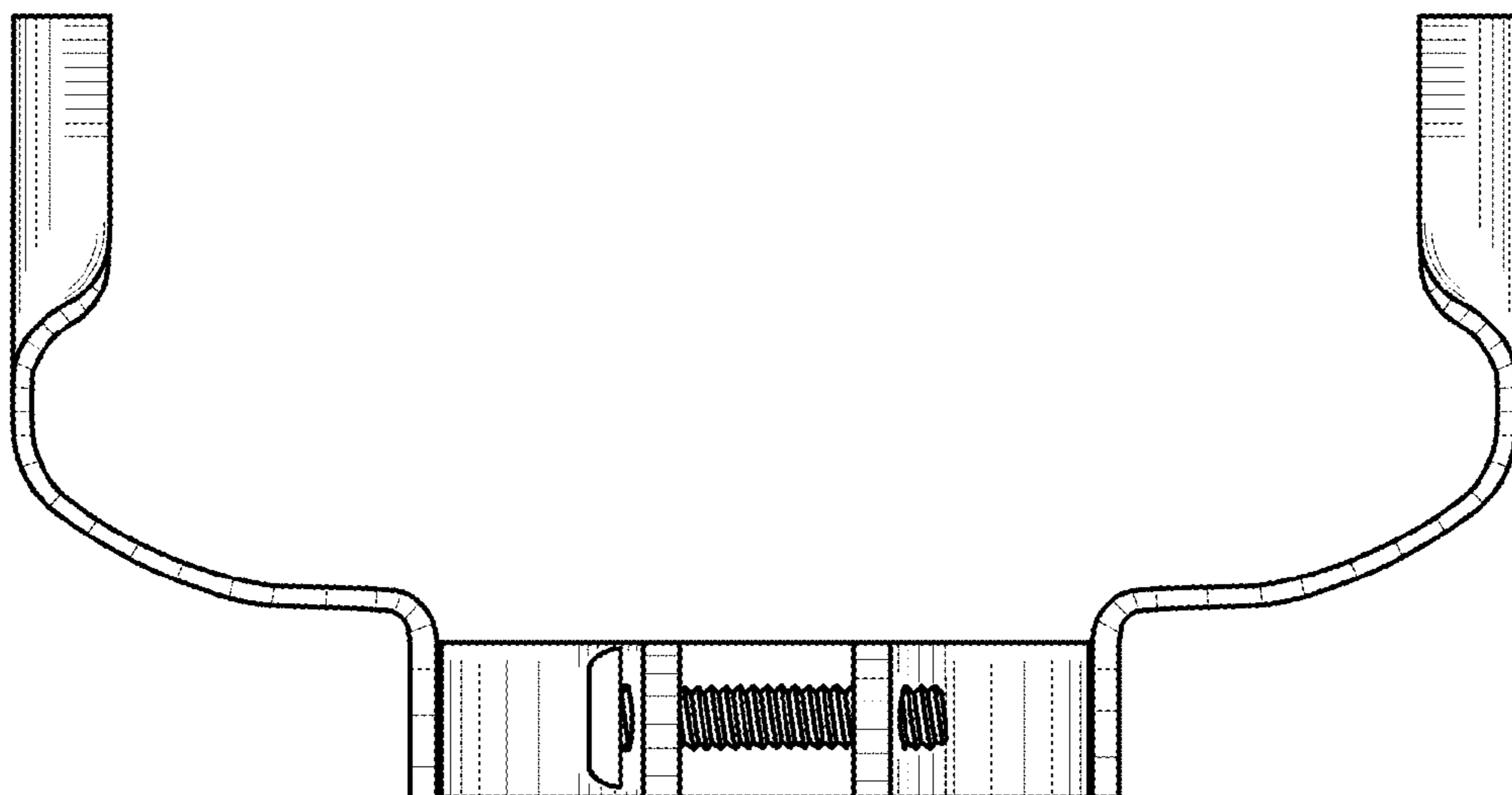


FIG. 10

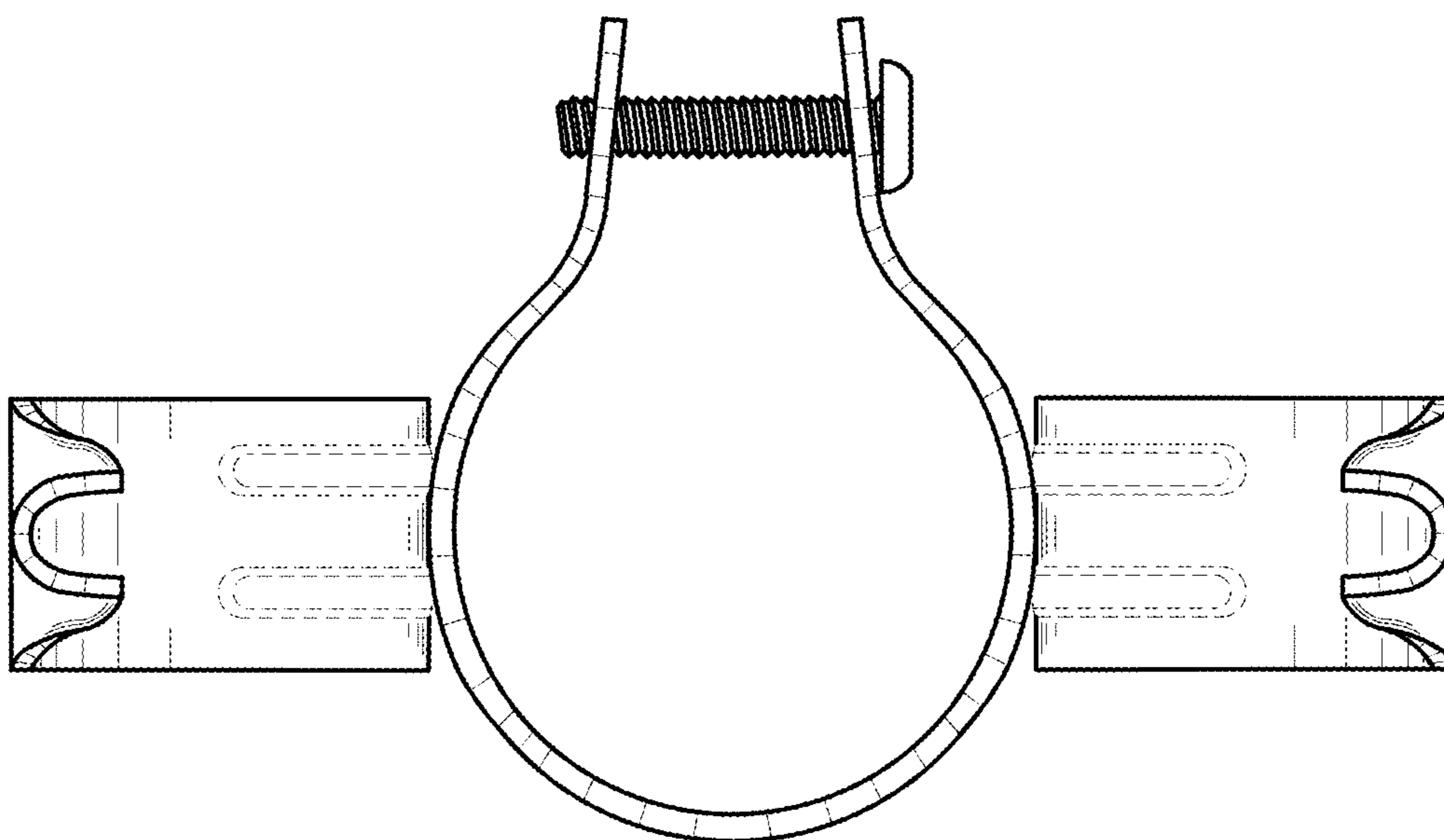


FIG. 11

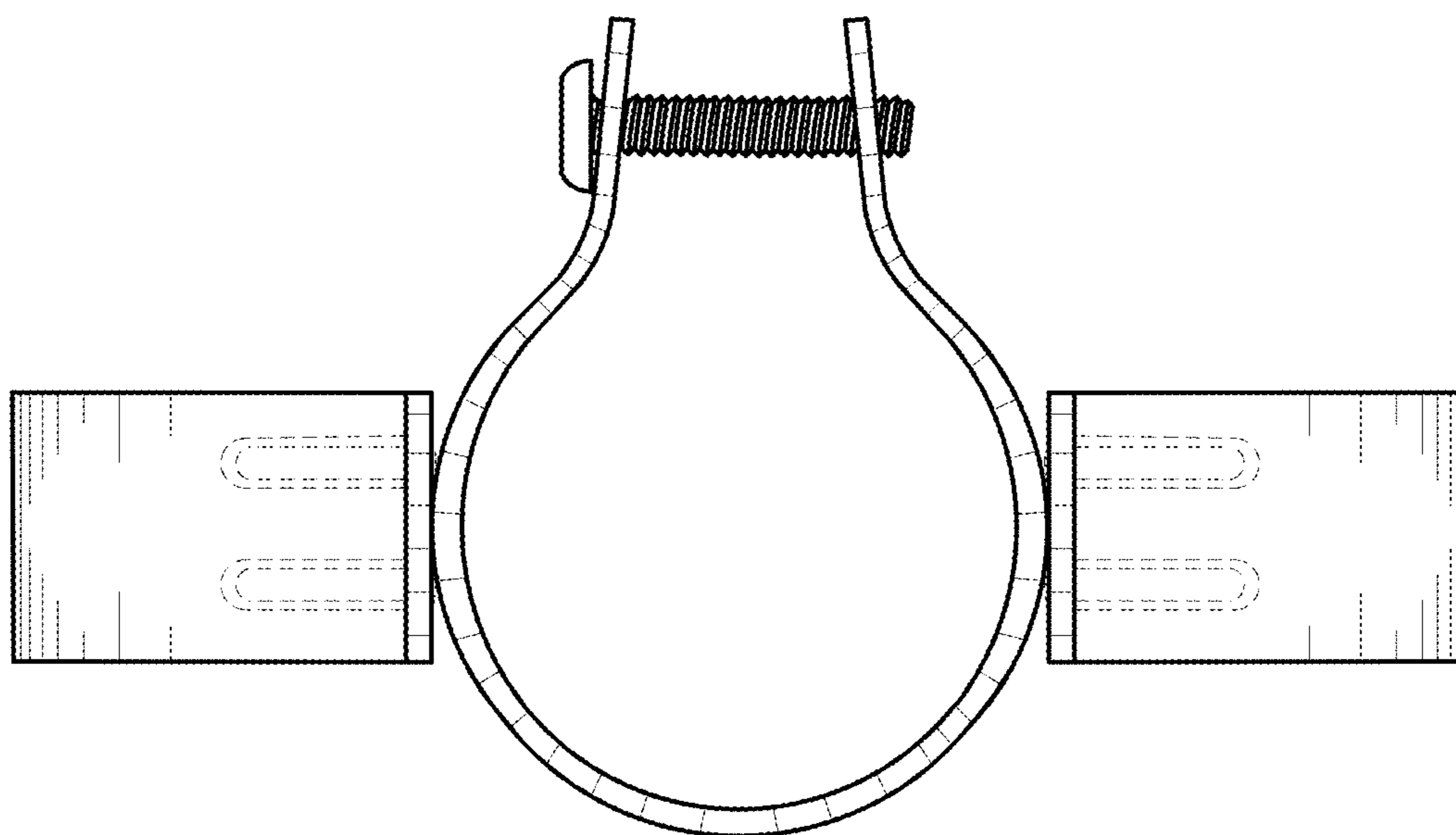


FIG. 12

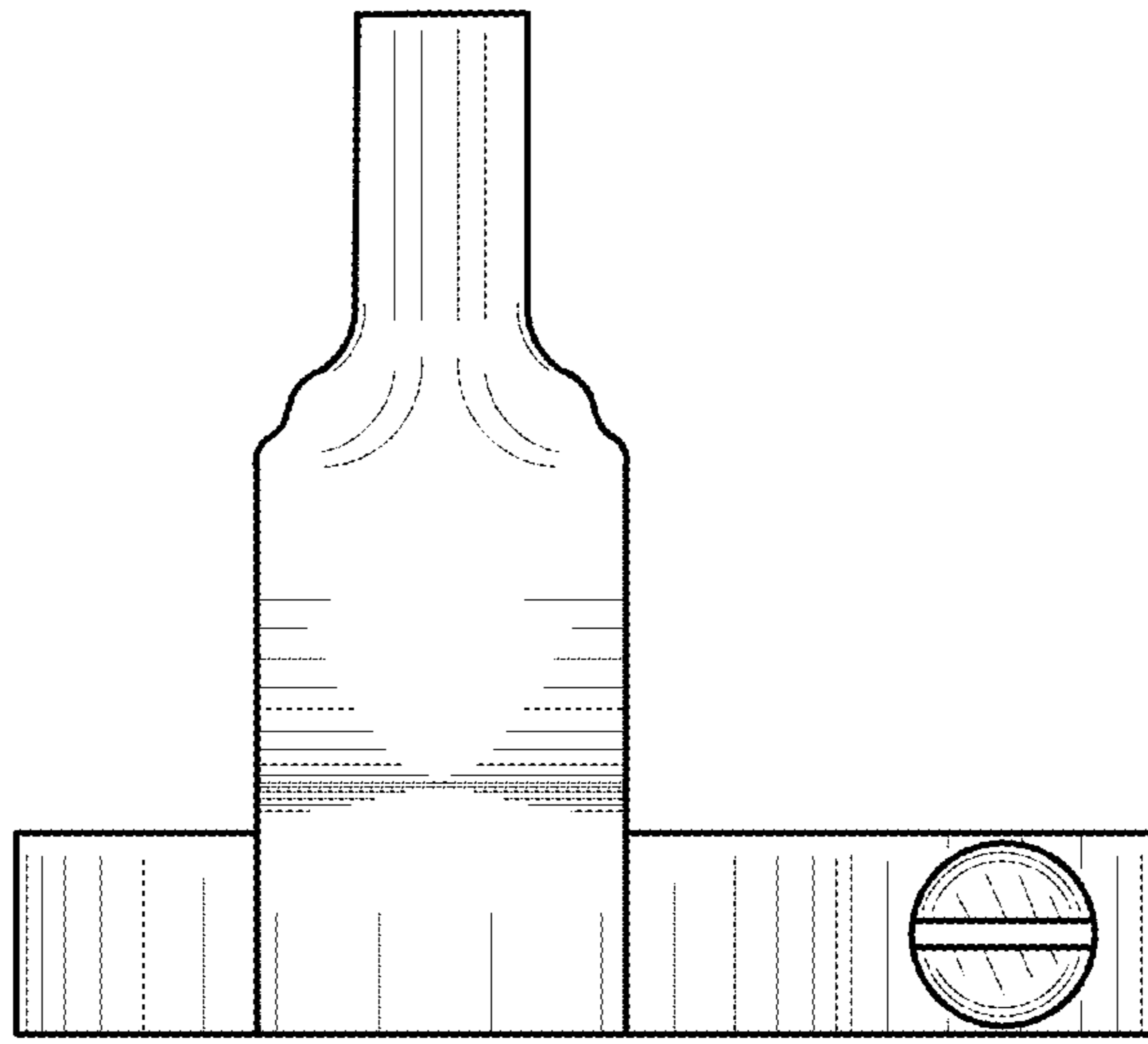


FIG. 13

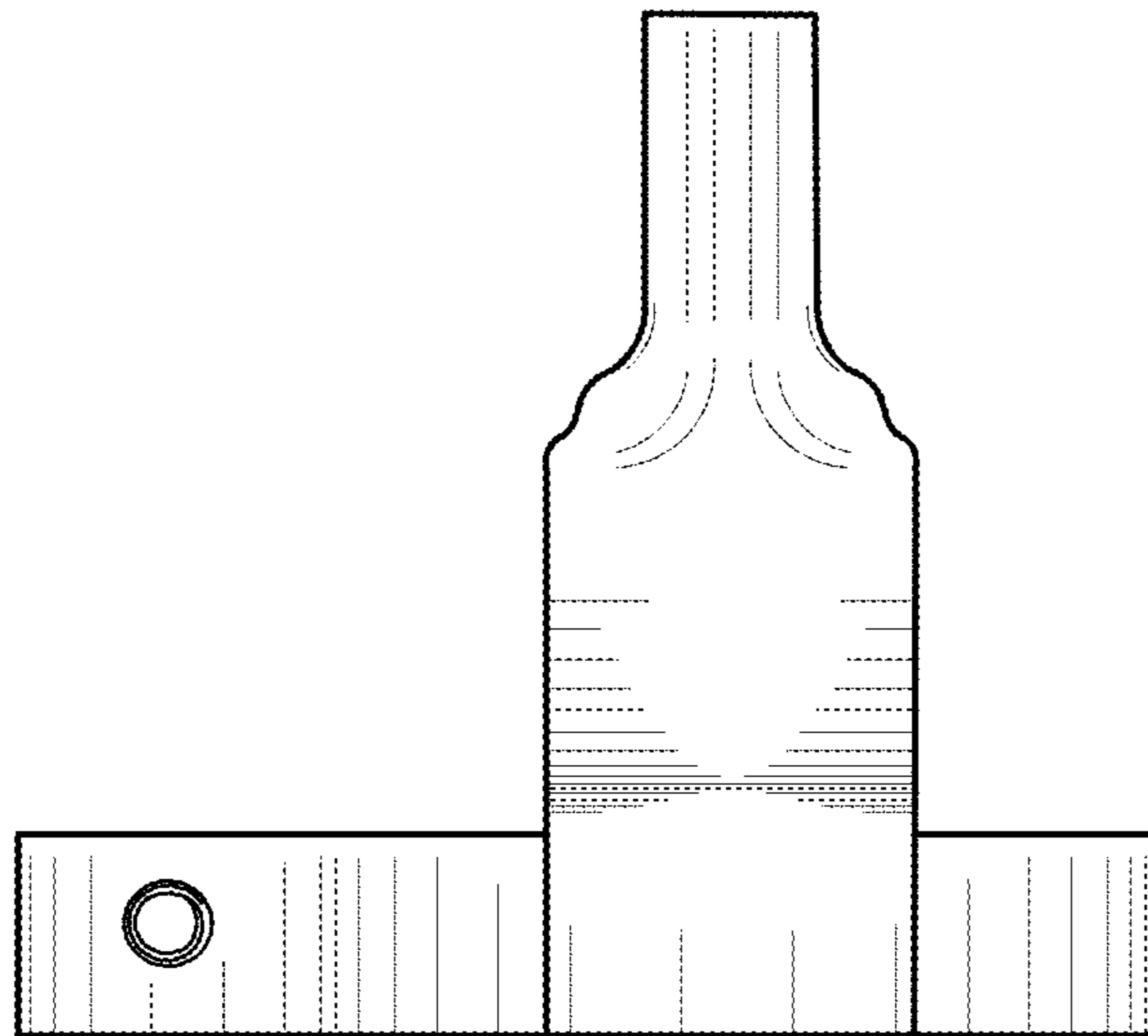


FIG. 14