

US00D752804S

(12) **United States Design Patent**
Williamson

(10) **Patent No.:** **US D752,804 S**
(45) **Date of Patent:** **** Mar. 29, 2016**

- (54) **LAMP HARP ADAPTER**
- (71) Applicant: **Hollymount, Ltd.**, North Chatham, NY (US)
- (72) Inventor: **Joseph Williamson**, North Chatham, NY (US)
- (73) Assignee: **Hollymount, Ltd.**, North Chatham, NY (US)
- (**) Term: **14 Years**
- (21) Appl. No.: **29/490,196**
- (22) Filed: **May 7, 2014**
- (51) **LOC (10) Cl.** **26-99**
- (52) **U.S. Cl.**
USPC **D26/141**
- (58) **Field of Classification Search**
USPC D26/72, 74, 75, 76, 78, 79, 80, 81, 82, D26/83, 85, 86, 88, 90, 113, 118, 119, 120, D26/121, 122, 138, 139, 140, 141, 142
CPC F21S 6/00; F21S 6/004; F21S 6/006; F21S 8/00; F21S 8/024; F21S 8/026; F21S 8/031; F21S 8/035-8/037; F21S 8/04; F21S 8/043; F21S 8/063; F21V 17/02; F21V 17/04; F21V 17/06; F21V 21/002; F21V 21/02; F21V 21/03; F21V 21/04; F21V 21/14; F21V 23/02; F21V 23/04; F21V 23/0442
See application file for complete search history.

- 1,270,081 A 6/1918 White
- 1,341,845 A 6/1920 Glanding
- 1,512,201 A 1/1922 Davis
- 1,406,649 A 2/1922 Jaeger
- 1,477,734 A 12/1923 Waite
- 1,588,216 A 12/1924 Willenbacher
- 2,222,859 A 8/1938 Sandel

(Continued)

FOREIGN PATENT DOCUMENTS

GB 2192266 1/1988

OTHER PUBLICATIONS

Grand Brass Clamp on Socket Shade Holder, www.grandbrass.com/ShowItem.cfm?ItemNumber=HO2-1/4CLAB&session.currentcategory=Holders&session.currentsubcategory=2%201/4%20in.%20Shade%20Holders, accessed on Mar. 26, 2013.

(Continued)

Primary Examiner — George D Kirschbaum
Assistant Examiner — Natasha Vujcic
(74) *Attorney, Agent, or Firm* — Kelley Drye & Warren LLP

(57) **CLAIM**

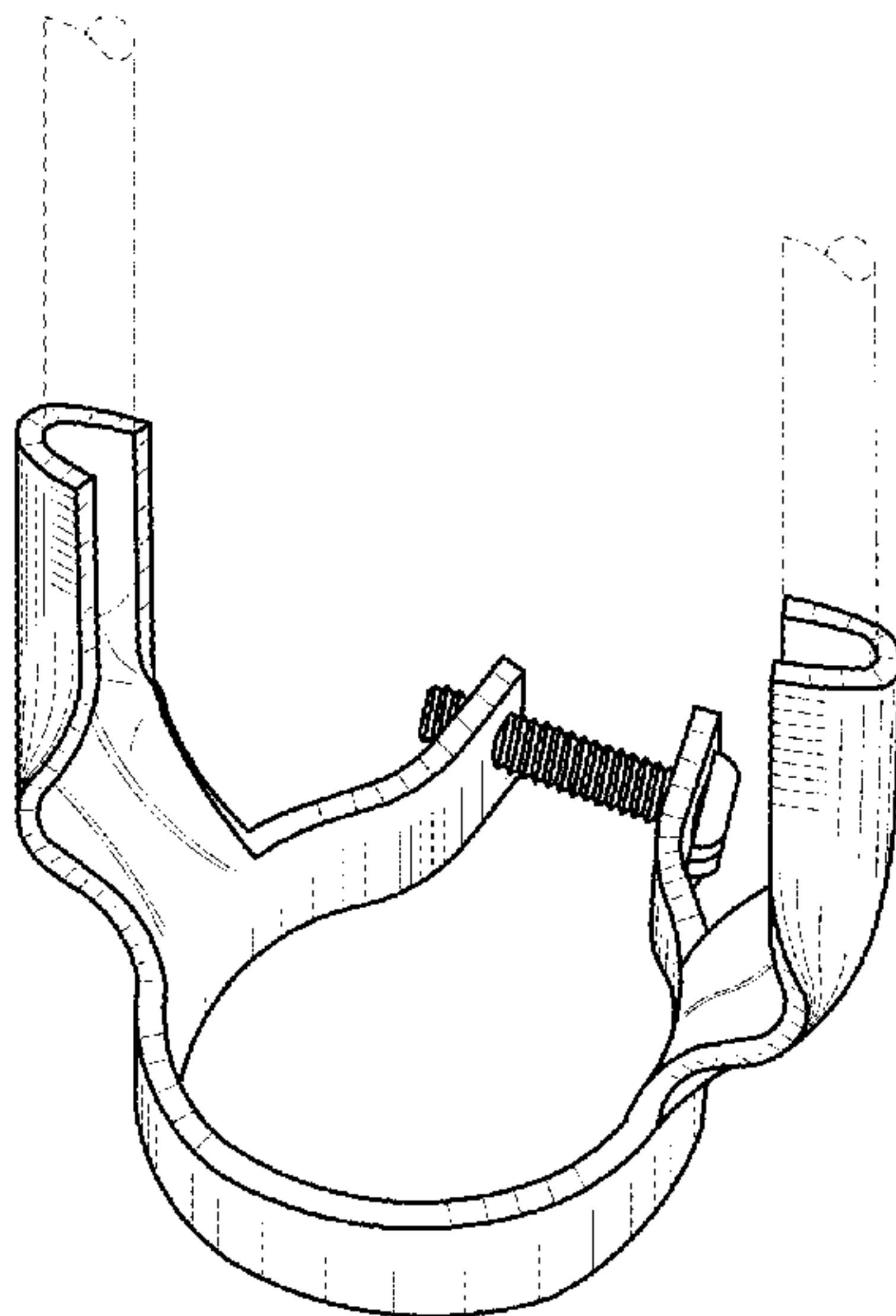
The ornamental design for a lamp harp adapter, as shown and described.

DESCRIPTION

FIG. 1 is a perspective view of a lamp harp adapter; FIG. 2 is a front view thereof; FIG. 3 is a rear view thereof; FIG. 4 is a top view thereof; FIG. 5 is a bottom view thereof; FIG. 6 is a right side view thereof; and, FIG. 7 is a left side view thereof. The broken lines in the drawings illustrate portions of the lamp harp adapter which form no part of the claimed design.

1 Claim, 4 Drawing Sheets

- (56) **References Cited**
U.S. PATENT DOCUMENTS
- 428,607 A 5/1890 Hipwell
- 483,615 A 10/1892 Johnson
- 546,597 A 9/1895 Rhind
- 663,121 A 12/1900 Frost
- D43,515 S 2/1912 Bishop



(56)

References Cited

U.S. PATENT DOCUMENTS

D136,114 S 8/1943 Stephens
2,420,208 A 11/1944 Solomon
D225,672 S * 12/1972 Thunman D26/138
D232,321 S * 8/1974 Boissevain D26/141
5,412,554 A 5/1995 Lee
D378,145 S * 2/1997 Cohon D26/141
D421,664 S * 3/2000 Sherman D26/140
D606,701 S * 12/2009 Chandler D26/141
8,152,343 B2 4/2012 Savage
D664,707 S * 7/2012 Toft D26/142
D676,191 S * 2/2013 Barrett D26/141

D692,611 S * 10/2013 Silver D26/138
D703,372 S * 4/2014 Martin D26/138
2010/0177502 A1* 7/2010 Lau F21V 19/02
362/105
2013/0010471 A1* 1/2013 Dalsgaard F21V 21/30
362/249.1

OTHER PUBLICATIONS

Amazon, Slip Uno Adapter Harp Converter Lamp Shade Uno Euro Fitter 1 7/16 I.D, www.amazon.com/Slip-Adapter-Converter-Shade-Fitter/dp/B0055RZ0IK, accessed on Mar. 25, 2013.

* cited by examiner

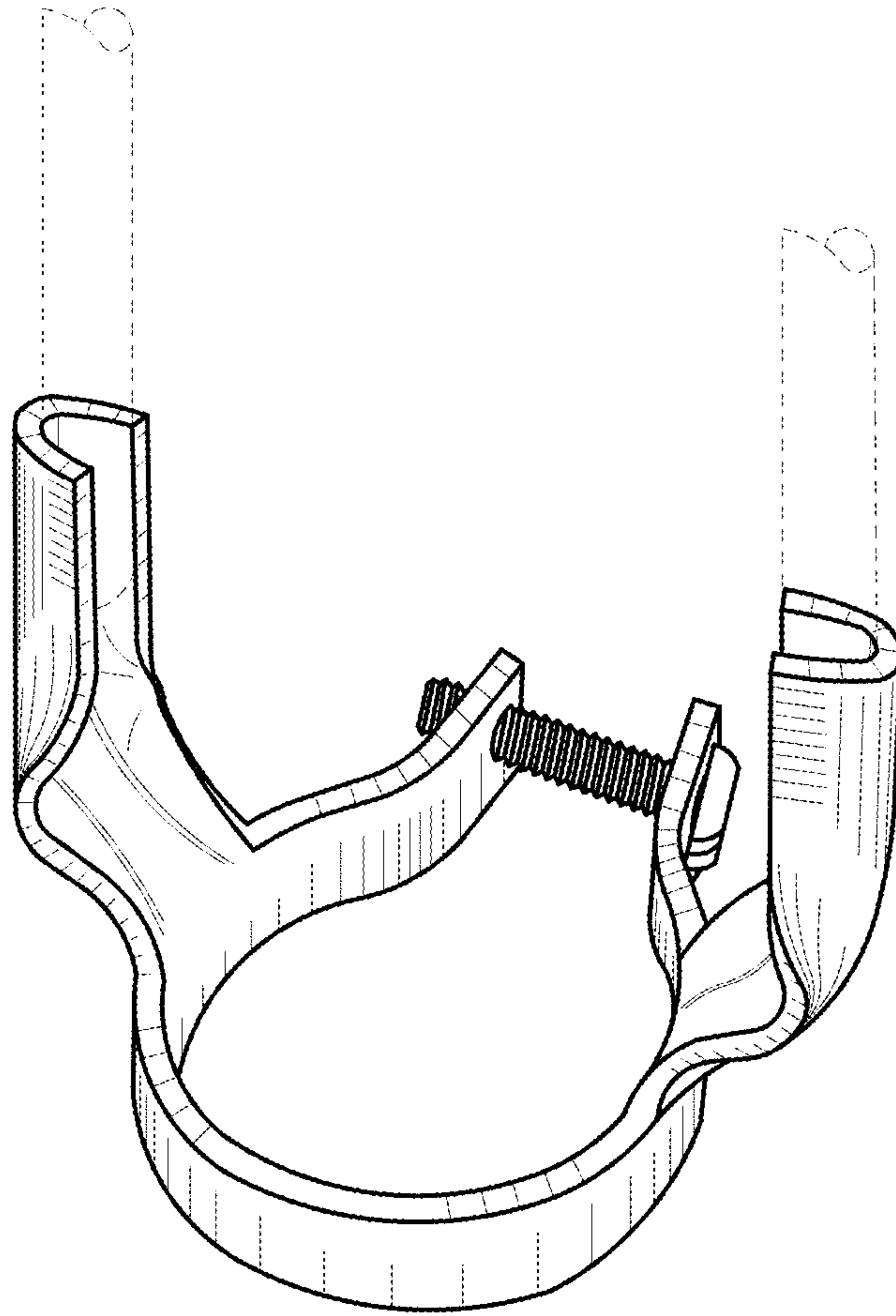


FIG. 1

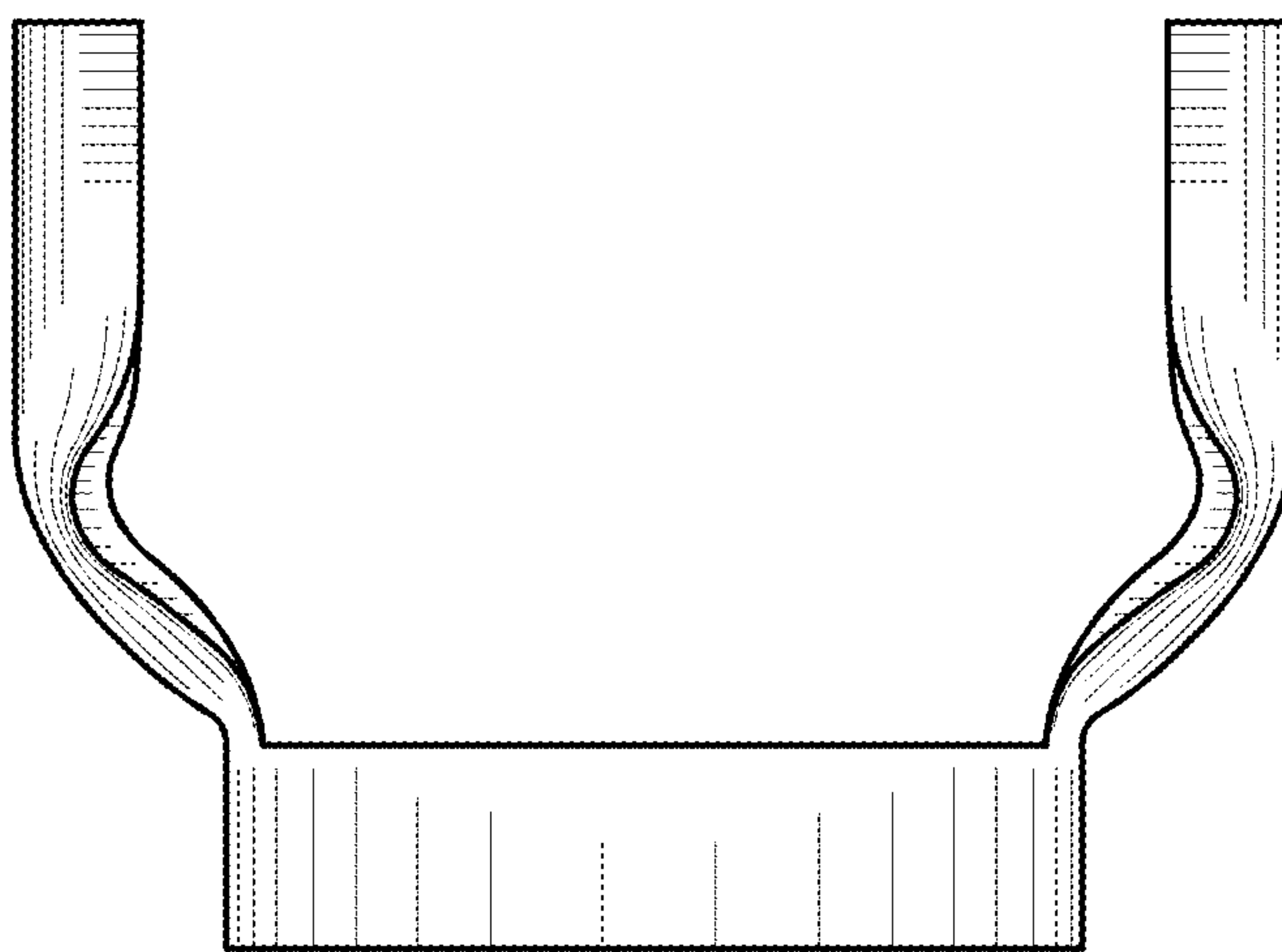


FIG. 2

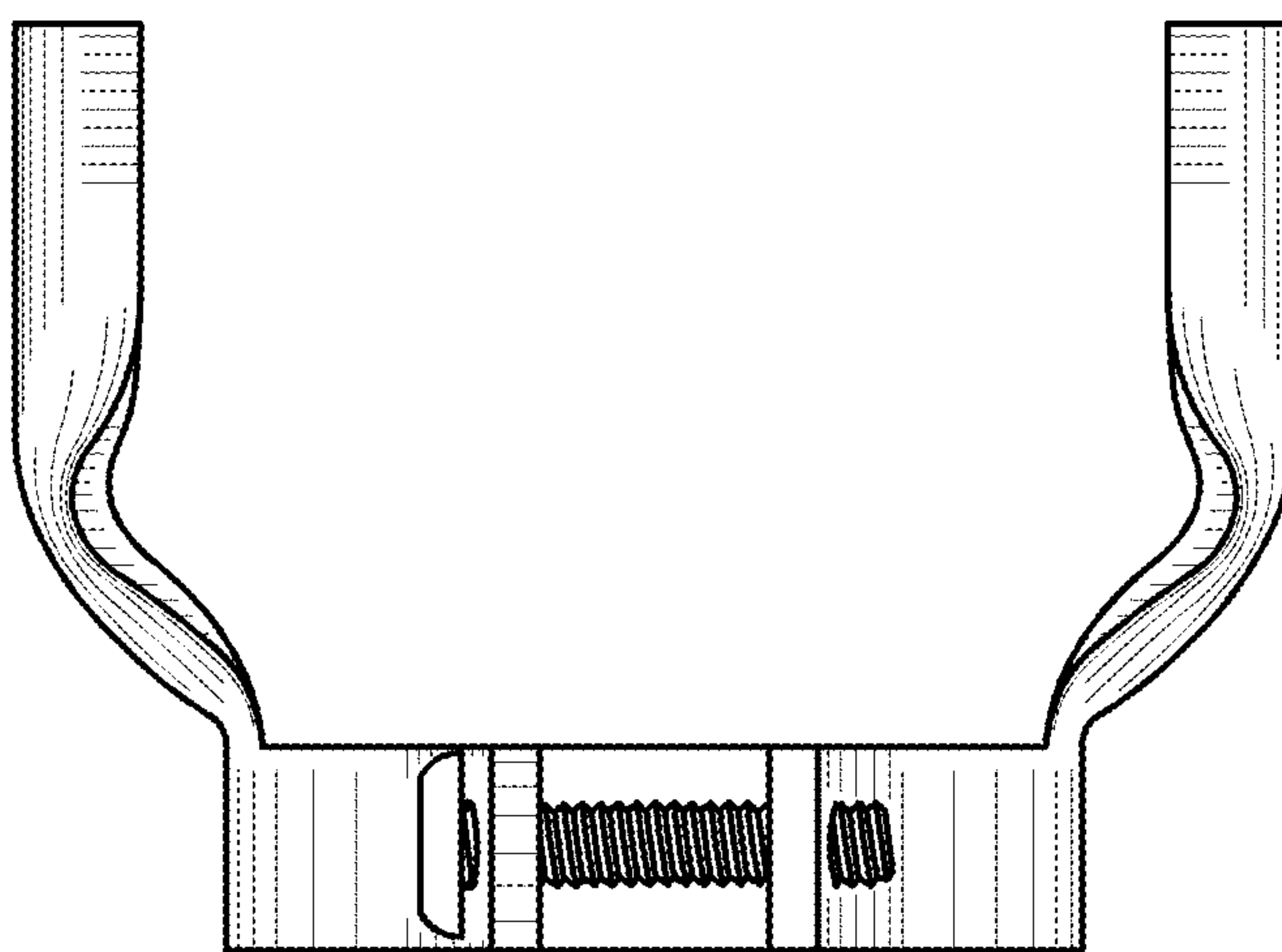


FIG. 3

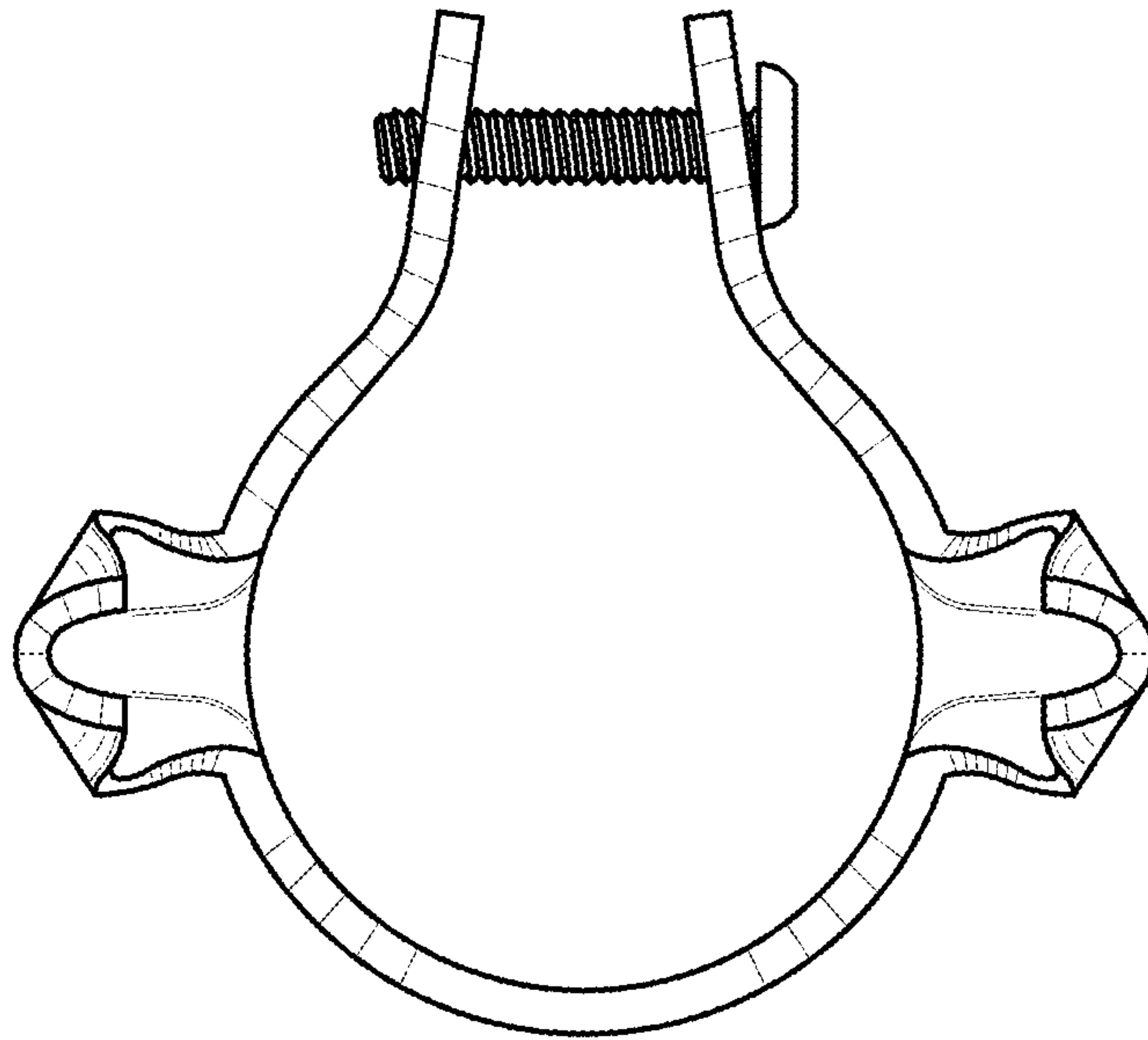


FIG. 4

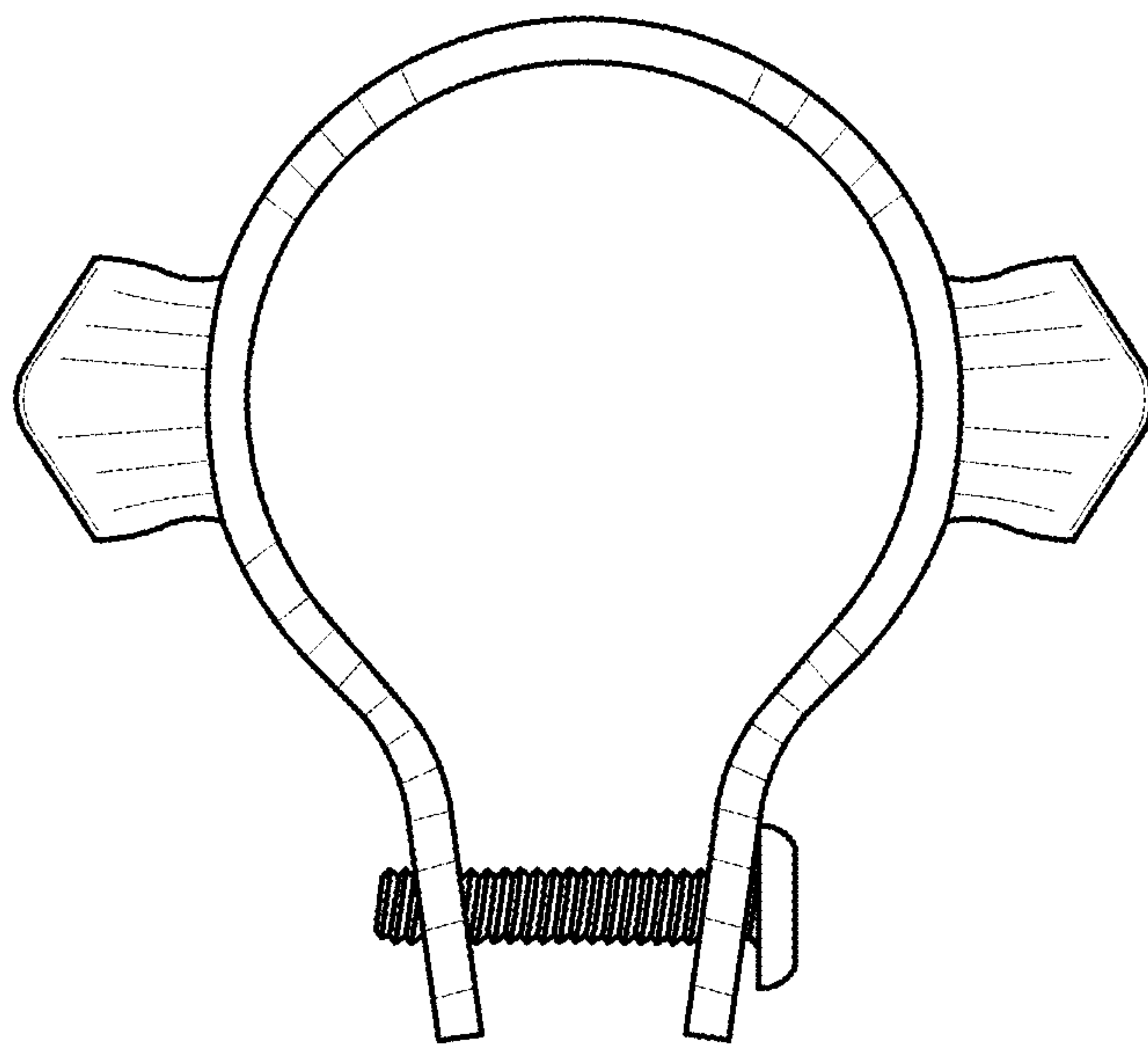


FIG. 5

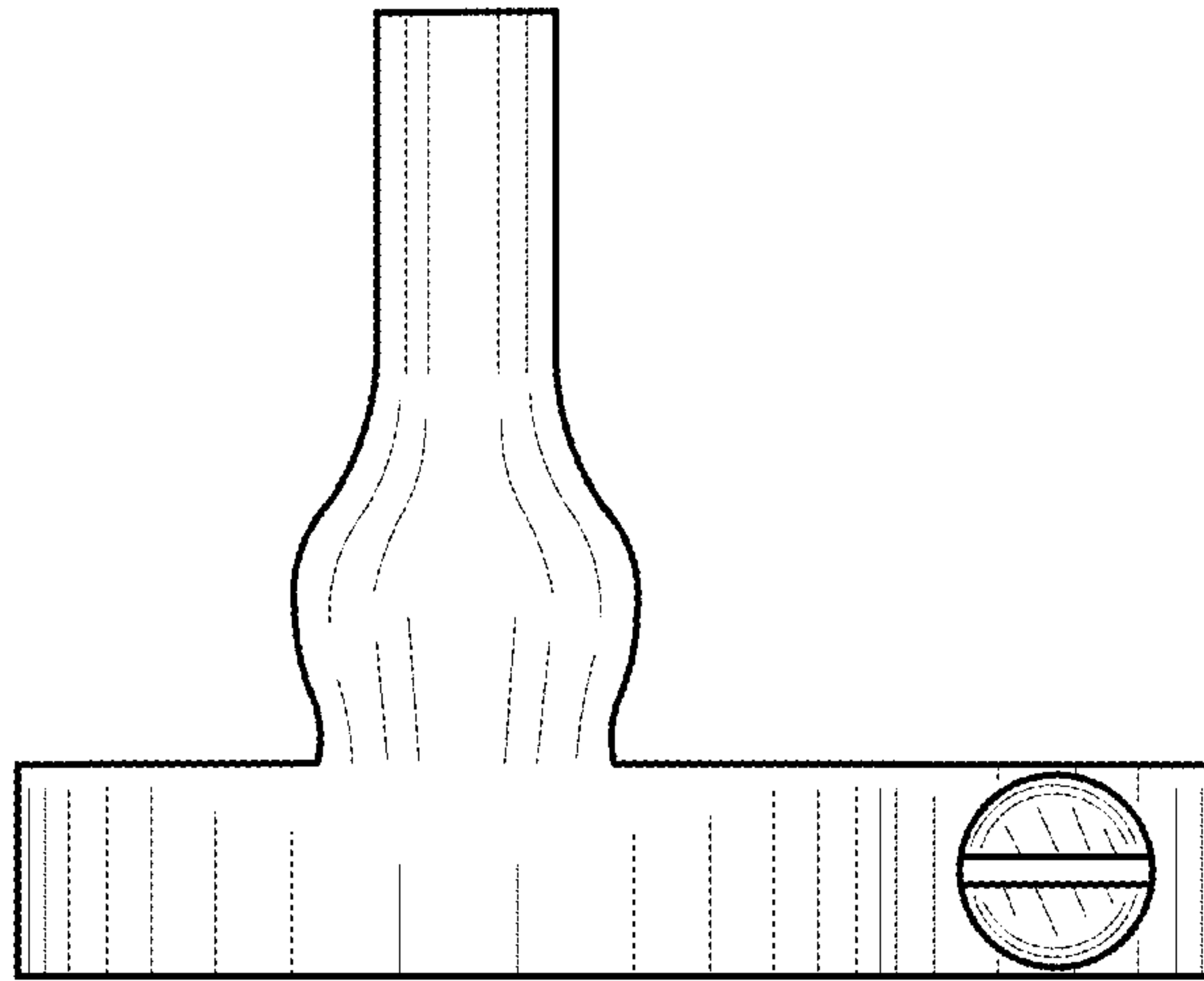


FIG. 6

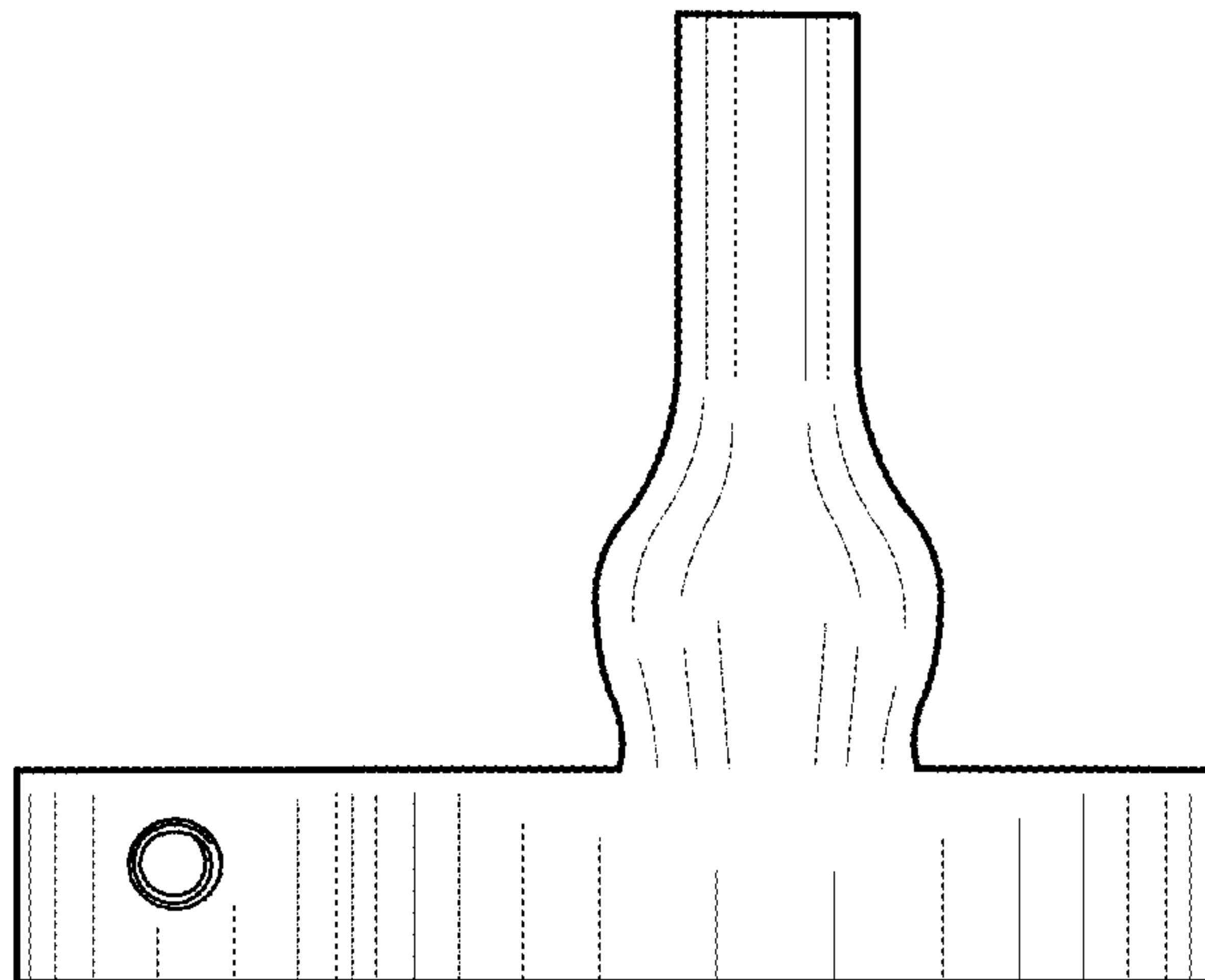


FIG. 7