



US00D752800S

(12) **United States Design Patent**
Yu

(10) **Patent No.:** **US D752,800 S**
(45) **Date of Patent:** **** Mar. 29, 2016**

(54) **LED LAMP**

(71) Applicant: **Chung Han Yu**, City of Industry, CA (US)

(72) Inventor: **Chung Han Yu**, City of Industry, CA (US)

(73) Assignee: **Chung Han Yu**, City of Industry, CA (US)

(**) Term: **14 Years**

(21) Appl. No.: **29/474,796**

(22) Filed: **Feb. 12, 2015**

(51) **LOC (10) Cl.** **26-03**

(52) **U.S. Cl.**
USPC **D26/85**

(58) **Field of Classification Search**
USPC D26/26, 28, 67, 72, 76, 85, 89
CPC F21S 8/00; F21S 8/03; F21S 8/04;
F21S 8/033; F21S 8/036; F21S 8/037; F21V
1/14; F21V 21/02; F21V 21/03; F21V 5/04;
F21W 2121/004; F21W 2111/08; F21W
2131/1005; F21W 2131/107; F21W 2131/402
See application file for complete search history.

(56) **References Cited**

U.S. PATENT DOCUMENTS

D610,296 S * 2/2010 Boissevain D26/85
D644,370 S * 8/2011 Lickiss D26/71

D691,320 S * 10/2013 Guercio D26/118
8,960,971 B1 * 2/2015 Newton F21V 21/30
362/217.16
2012/0268952 A1 * 10/2012 Newton B23P 11/00
362/368
2015/0292723 A1 * 10/2015 Yu F21V 29/76
362/147
2015/0308667 A1 * 10/2015 Corkill F21V 21/02
362/147

* cited by examiner

Primary Examiner — Clare E Heflin

(57) **CLAIM**

I claim the ornamental design for the LED lamp, as shown in the views referenced and related views and described.

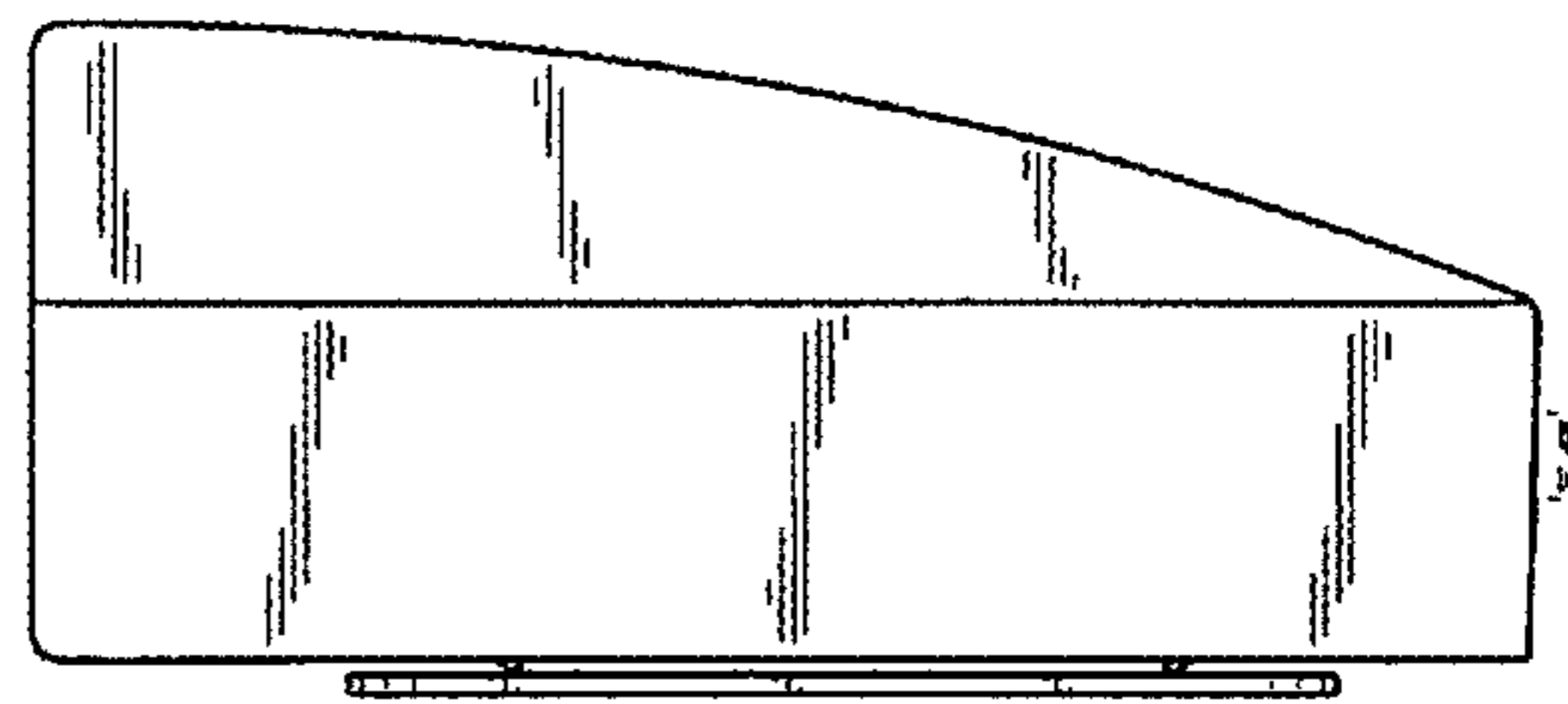
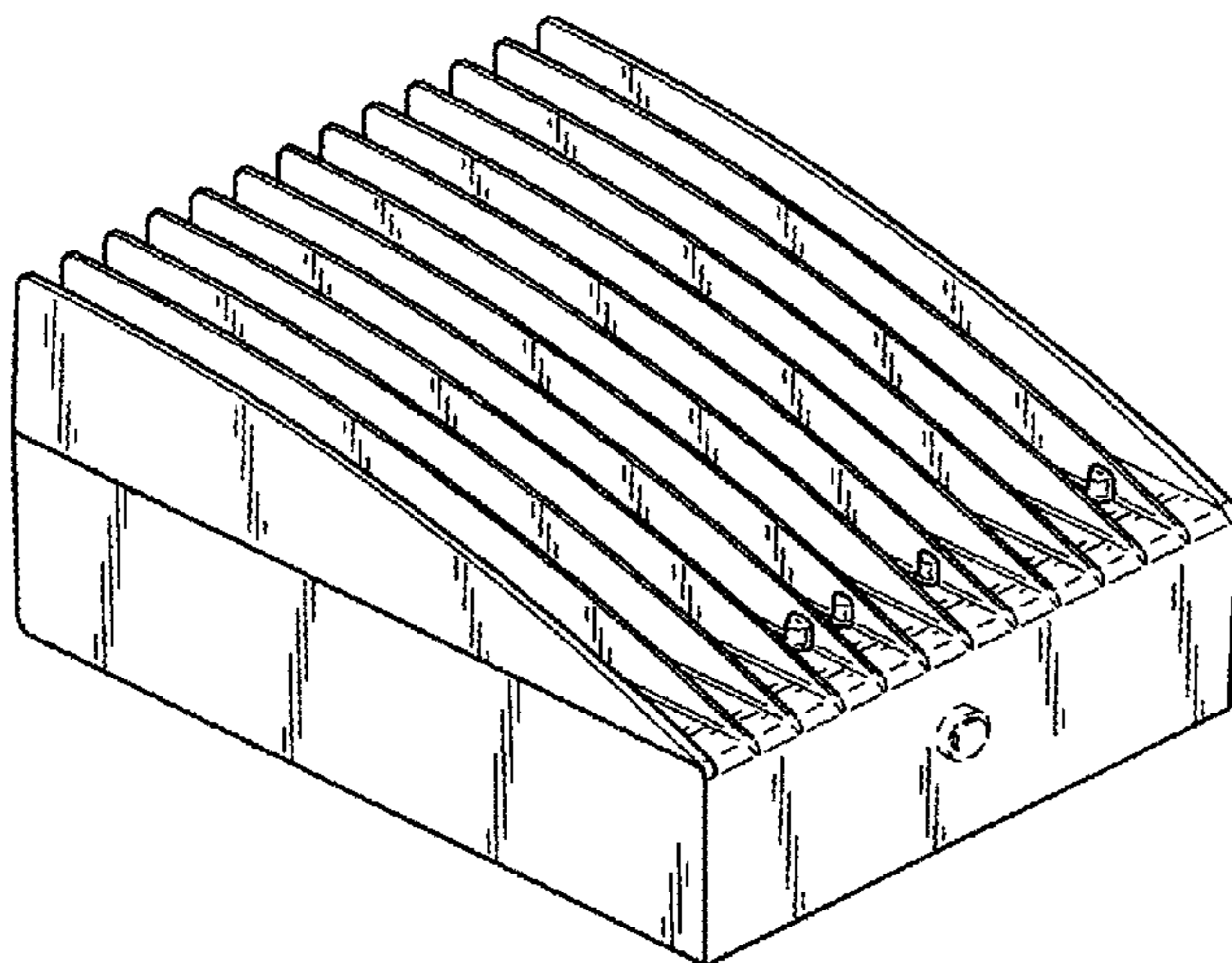
DESCRIPTION

FIG. 1 is a top, front and one side perspective view of the LED lamp showing the new design;
FIG. 2 is a bottom, rear and opposite side perspective view thereof;
FIG. 3 is a front elevation view thereof;
FIG. 4 is a rear elevation view thereof;
FIG. 5 is a side elevation view thereof;
FIG. 6 is an opposite side elevation view thereof;
FIG. 7 is a top plan view thereof; and,
FIG. 8 is a bottom plan view thereof.

The broken lines shown on the drawings depict portions of the LED lamp that form no part of the claimed design.

As illustrated the surface creates a unique contour profile for the luminaire.

1 Claim, 3 Drawing Sheets



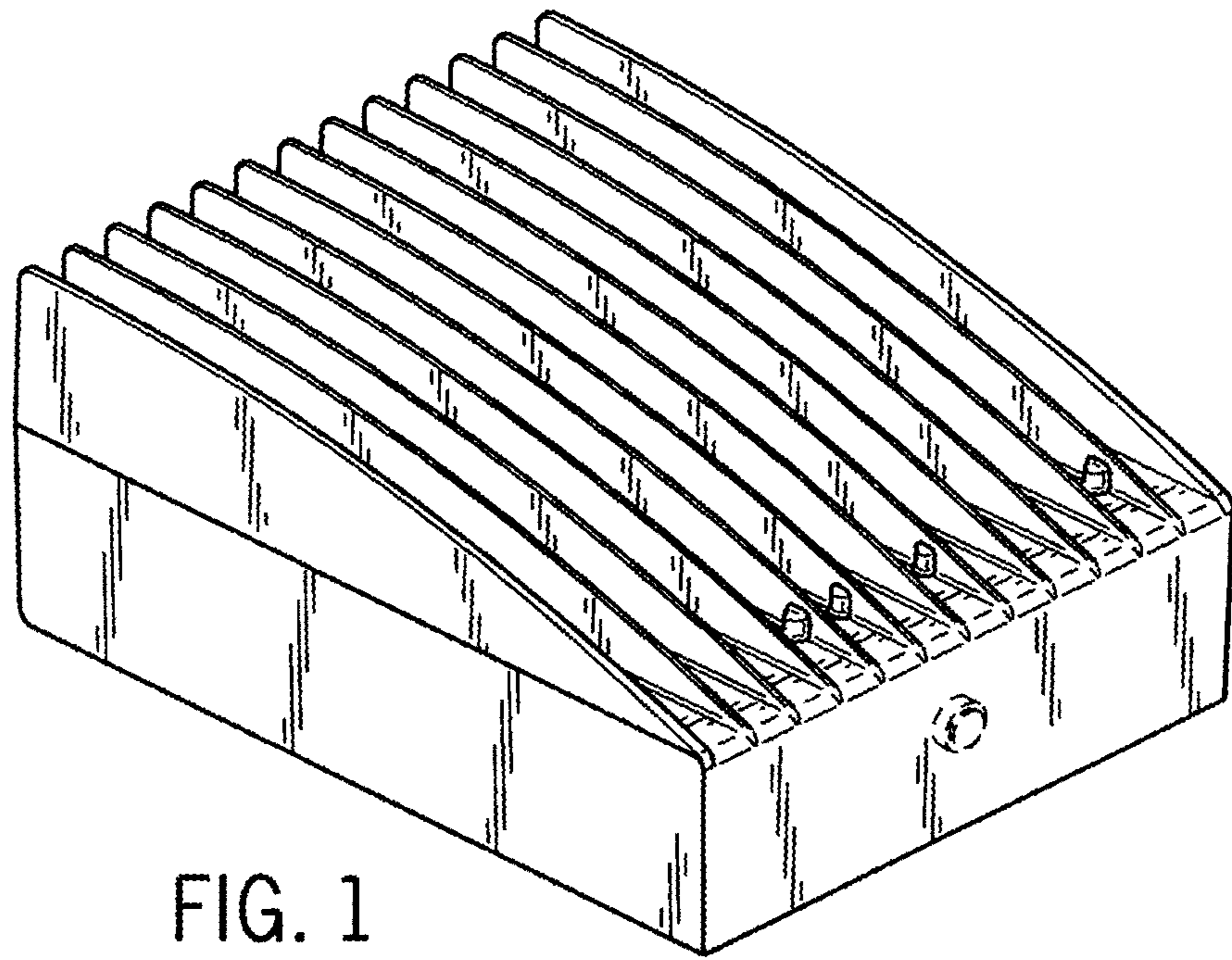


FIG. 1

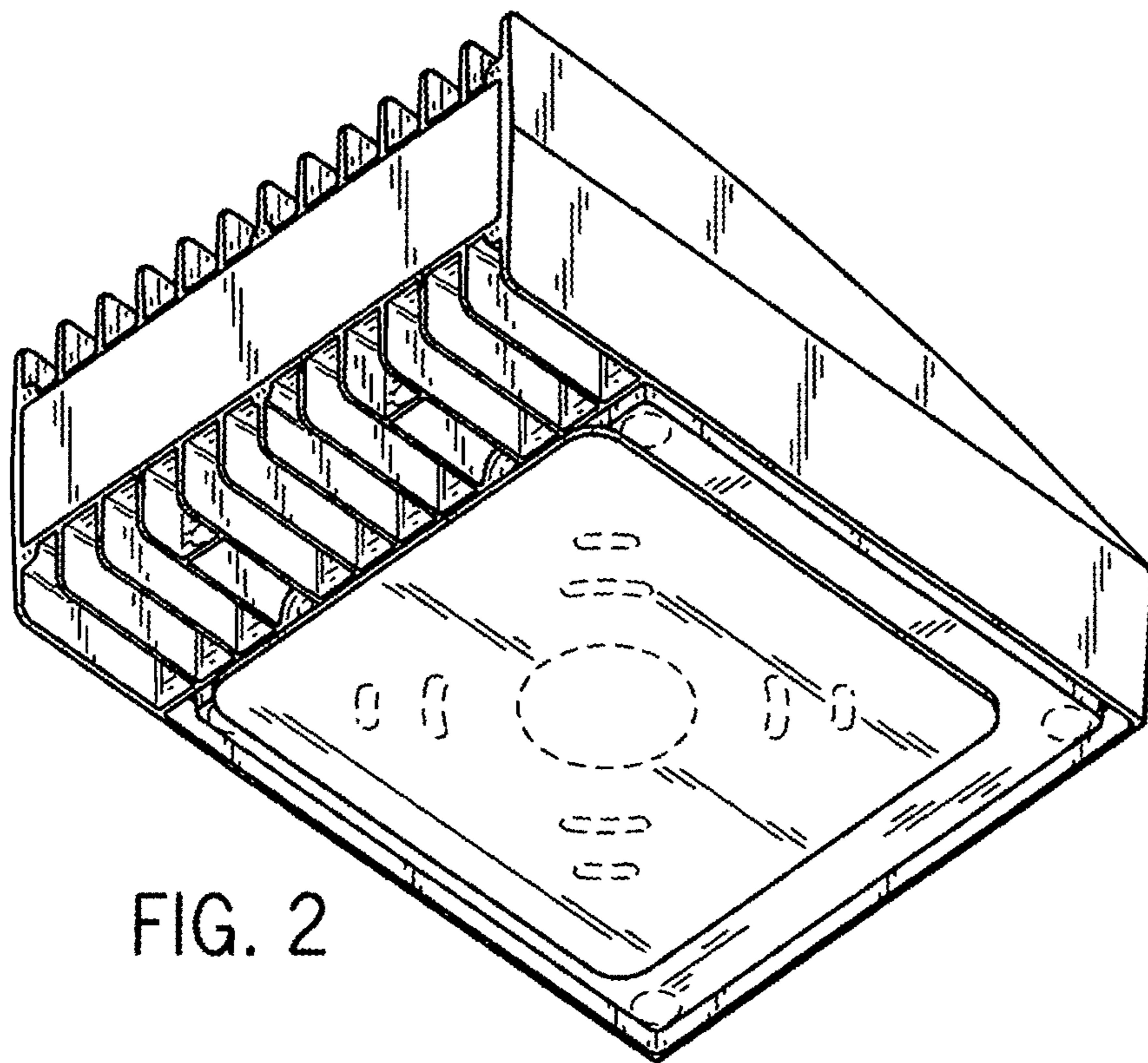


FIG. 2

FIG. 3

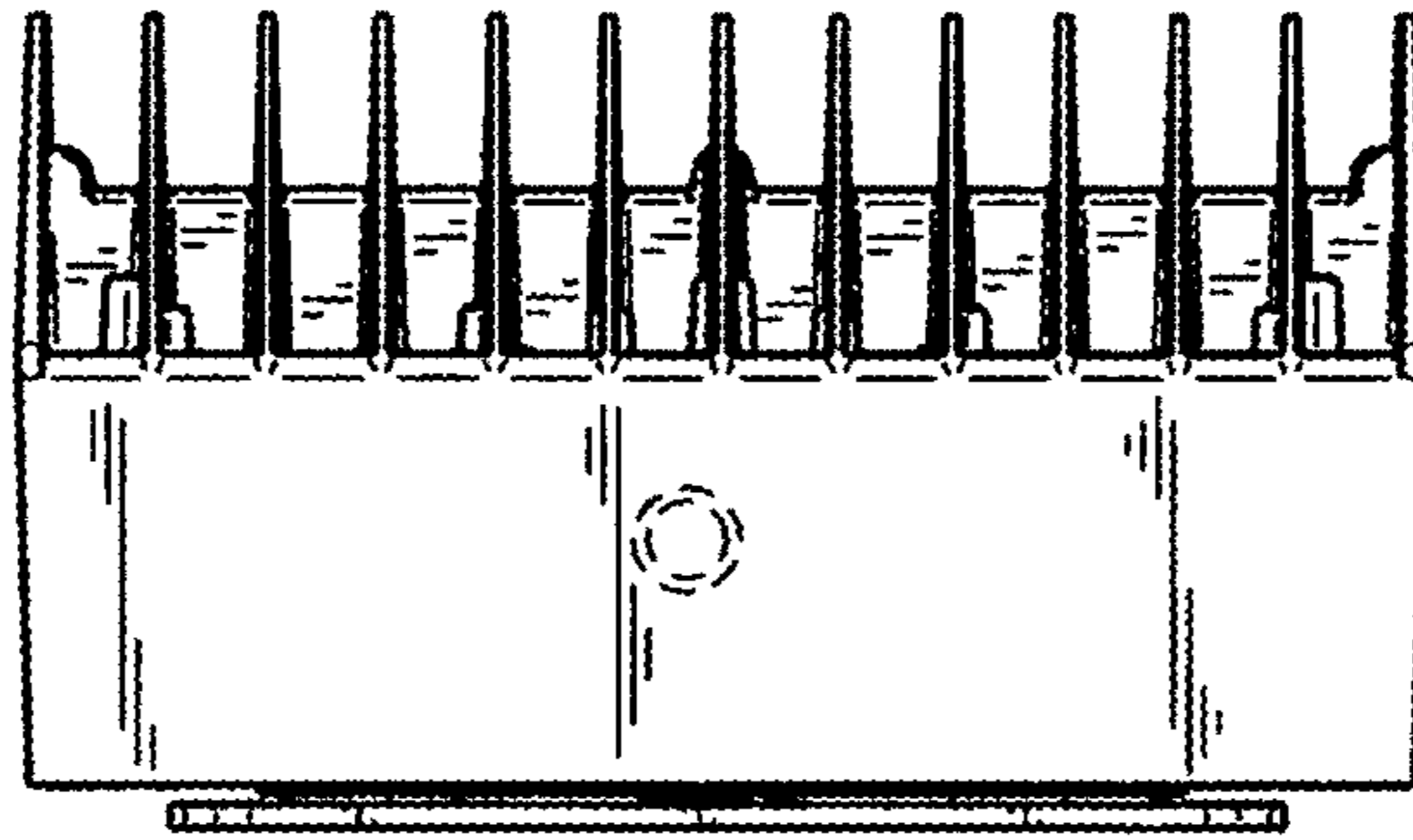


FIG. 4

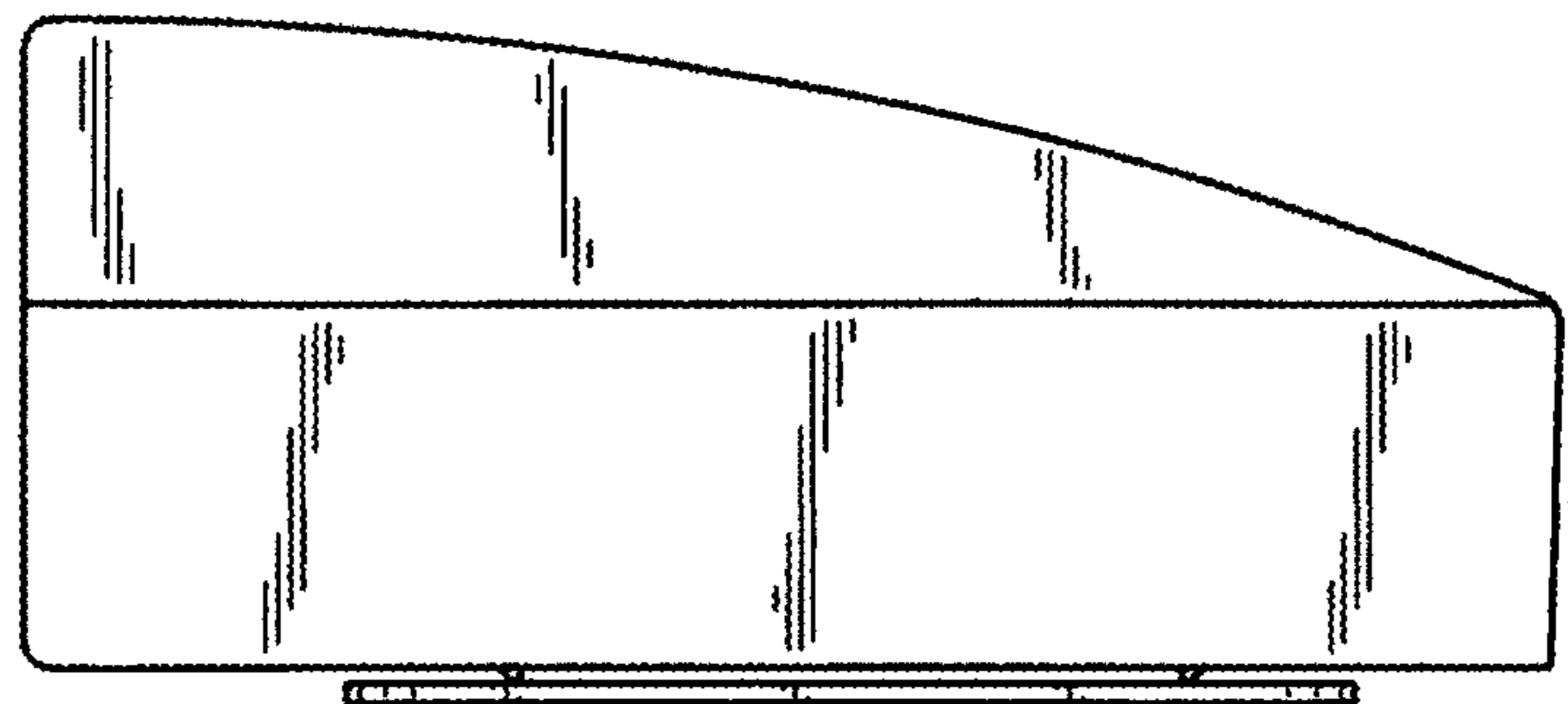
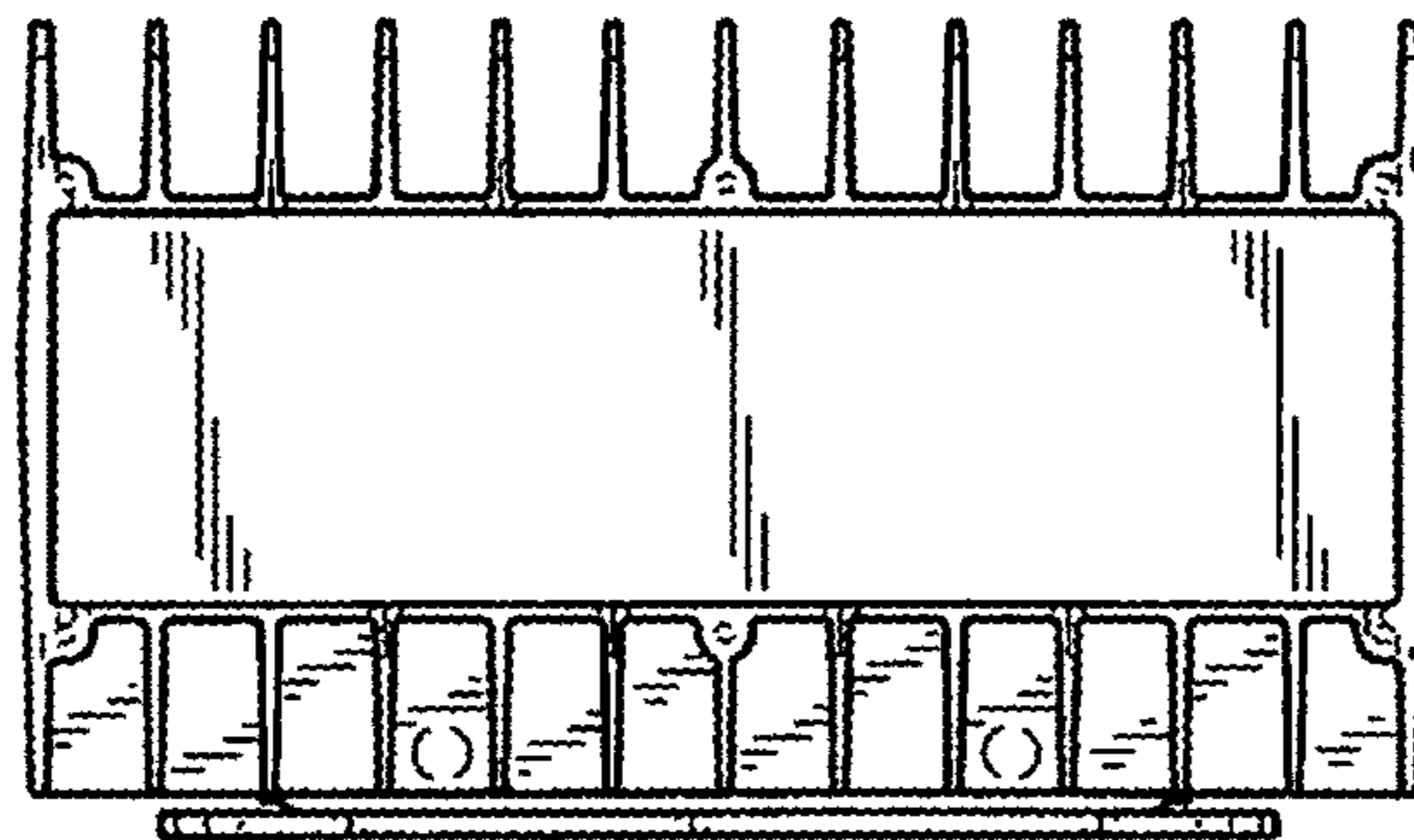


FIG. 5

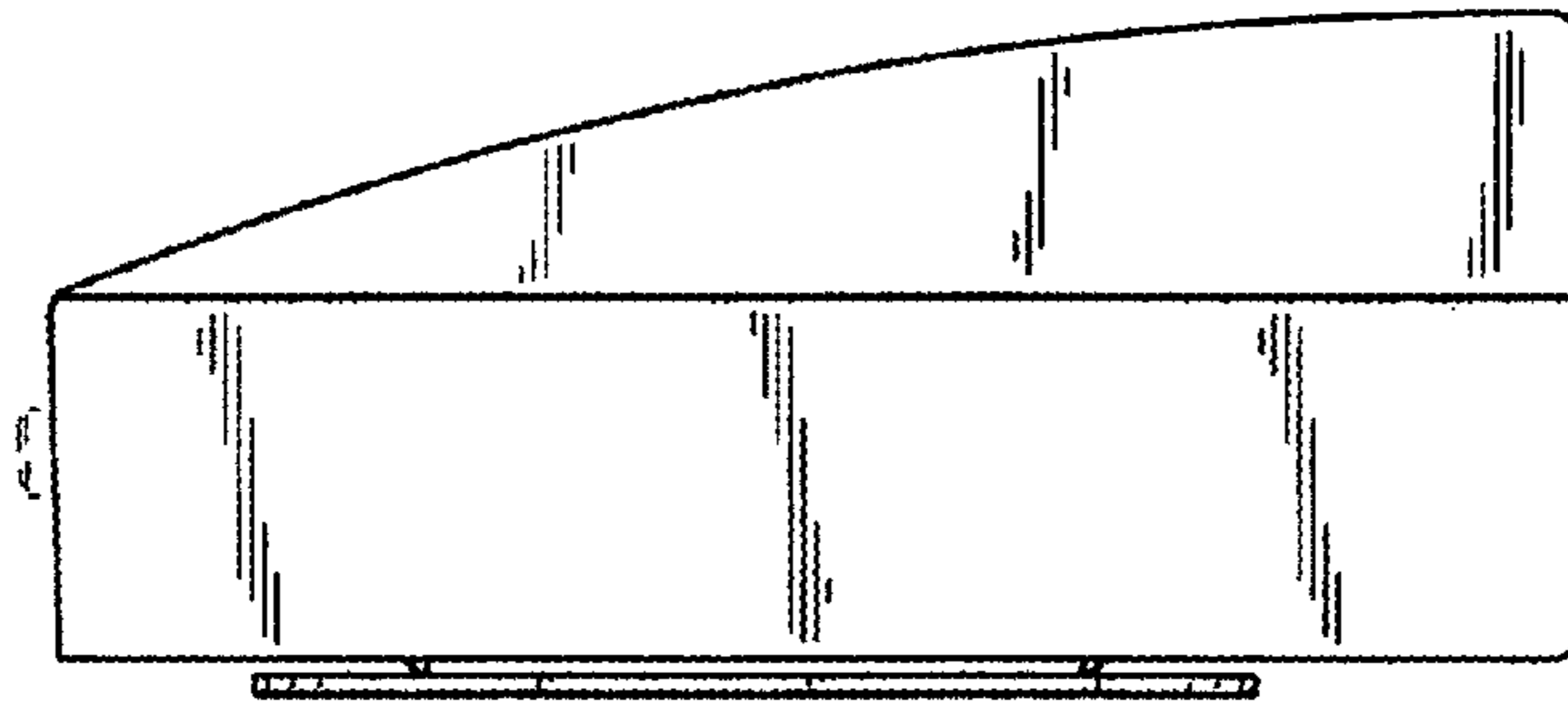


FIG. 6

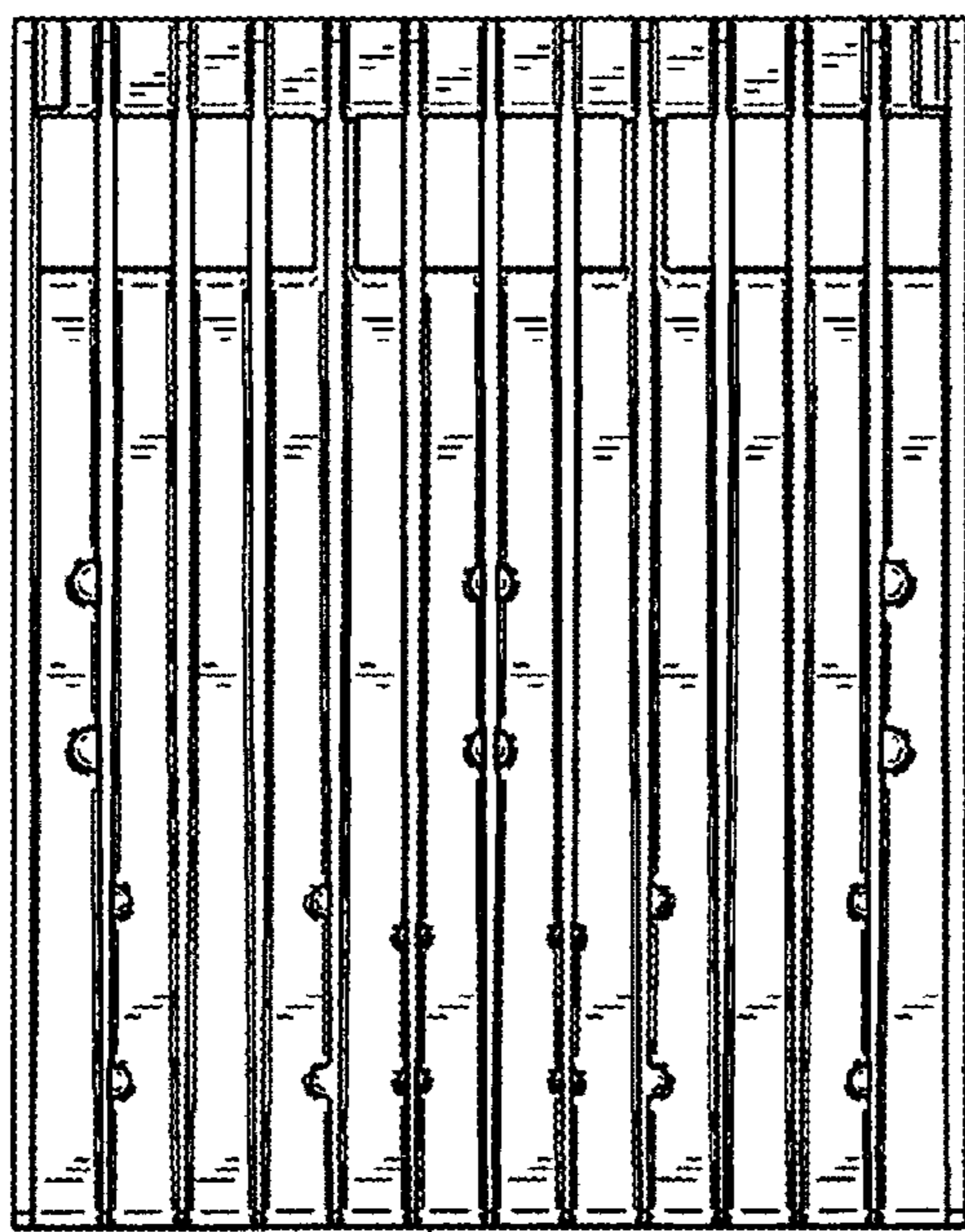


FIG. 7

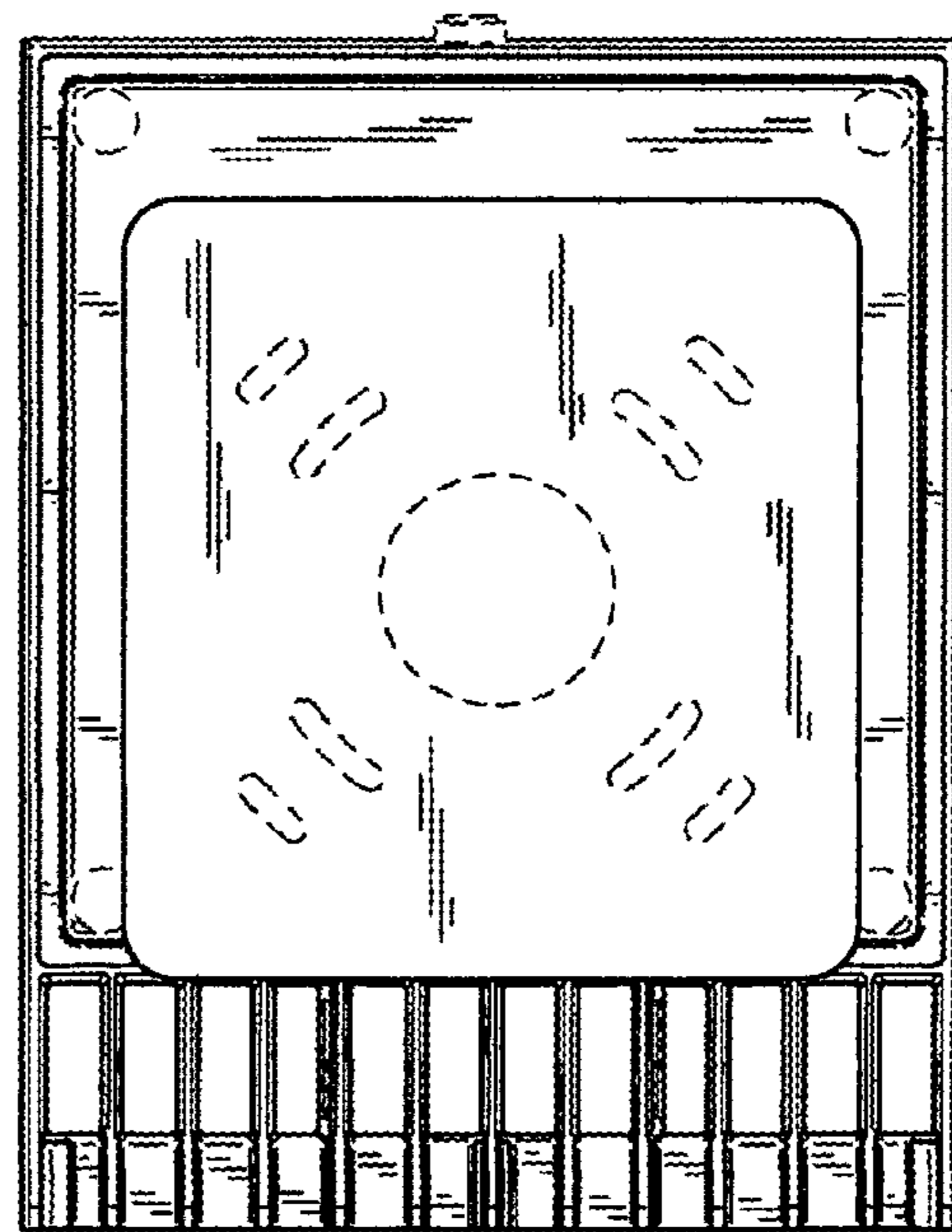


FIG. 8