



US00D752798S

(12) **United States Design Patent**
Righetto

(10) **Patent No.:** **US D752,798 S**
(45) **Date of Patent:** **** Mar. 29, 2016**

(54) **OUTDOOR LIGHTING FIXTURE**
(71) Applicant: **Schreder, S.A.**, Brussels (BE)
(72) Inventor: **Fabio Righetto**, Sao Paulo (BR)
(73) Assignee: **Schreder, S.A.**, Brussels (BE)
(**) Term: **14 Years**

(21) Appl. No.: **29/519,000**

(22) Filed: **Mar. 2, 2015**

(30) **Foreign Application Priority Data**

Aug. 28, 2014 (EM) 002526764-0001

(51) **LOC (10) Cl.** **26-05**

(52) **U.S. Cl.**
USPC **D26/70; D26/67**

(58) **Field of Classification Search**
USPC D26/63, 67-70
CPC F21S 6/004; F21S 6/005; F21S 8/08;
F21S 8/081; F21S 8/083; F21S 8/088; F21S
9/03; F21S 9/032; F21S 9/035; F21S 9/037;
F21W 2131/109; F21W 2111/023; F21V
21/0824

See application file for complete search history.

(56) **References Cited**

U.S. PATENT DOCUMENTS

D208,719 S * 9/1967 de Vos D26/67
D210,798 S * 4/1968 Hewson D26/67

D218,985 S * 10/1970 Anderson D26/67
D527,133 S * 8/2006 Hon D26/67
D571,494 S * 6/2008 Friedman D26/67
D573,289 S * 7/2008 Xu D26/67
D617,485 S * 6/2010 Hamilton D26/67
D623,337 S * 9/2010 Zheng D26/67
D634,872 S * 3/2011 Guercio D26/69
D738,556 S * 9/2015 Macura D26/67
D739,066 S * 9/2015 Macura D26/67
D739,067 S * 9/2015 Macura D26/67
D739,589 S * 9/2015 Macura D26/67

* cited by examiner

Primary Examiner — Clare E Heflin

(74) *Attorney, Agent, or Firm* — Kirschstein, Israel, Schiffmiller & Pieroni, P.C.

(57) **CLAIM**

The ornamental design for an outdoor lighting fixture, as shown and described.

DESCRIPTION

FIG. 1 is a perspective view of an outdoor lighting fixture as seen from above according to my new design.

FIG. 2 is a top plan view thereof.

FIG. 3 is a front elevational view thereof.

FIG. 4 is a right side elevational view thereof, the left side being a mirror image.

FIG. 5 is a rear elevational view thereof.

FIG. 6 is a bottom plan view thereof; and,

FIG. 7 is a perspective view thereof as seen from below.

The broken lines shown on the drawings depict portions of the outdoor lighting fixture that form no part of the claimed design.

1 Claim, 4 Drawing Sheets

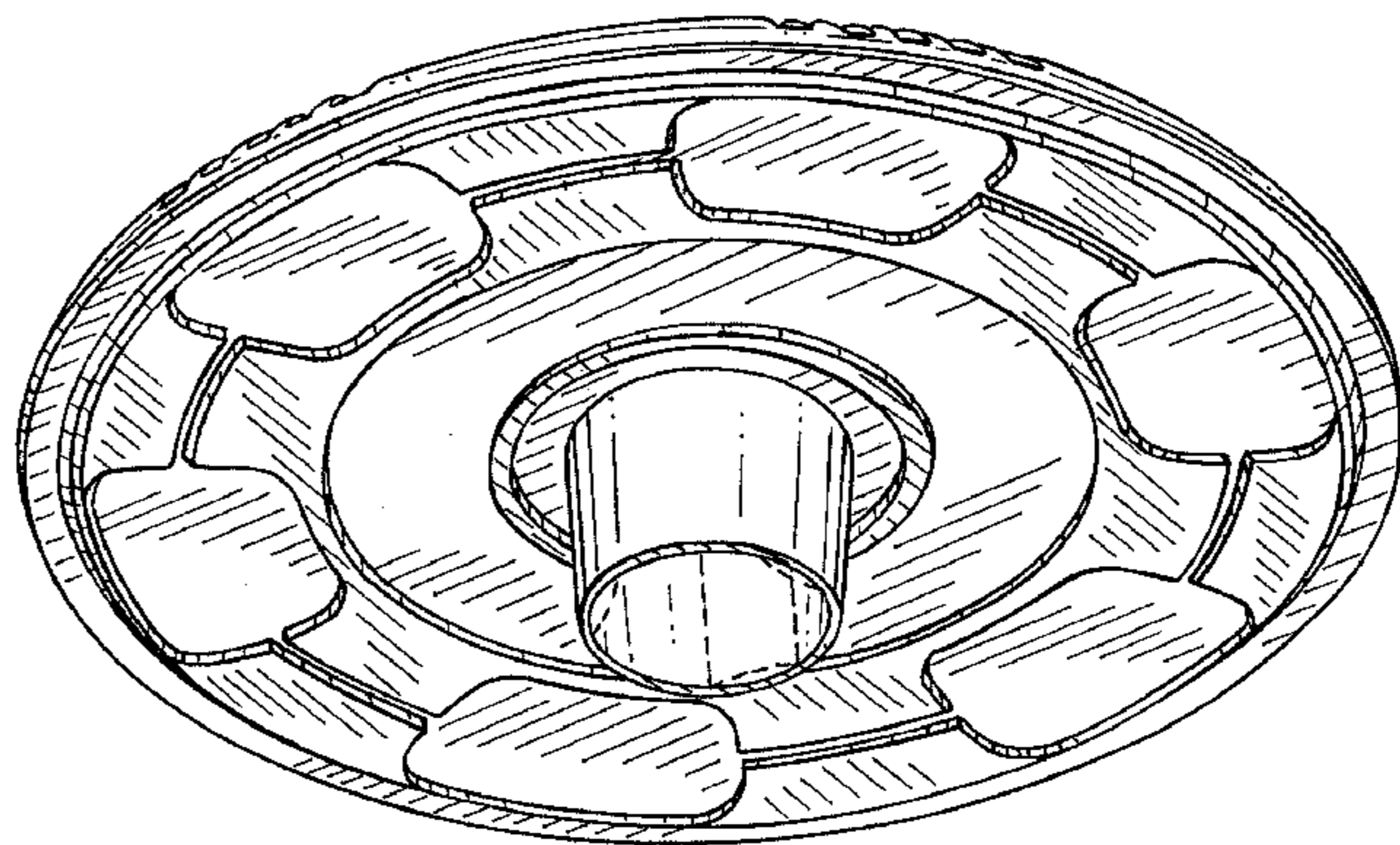
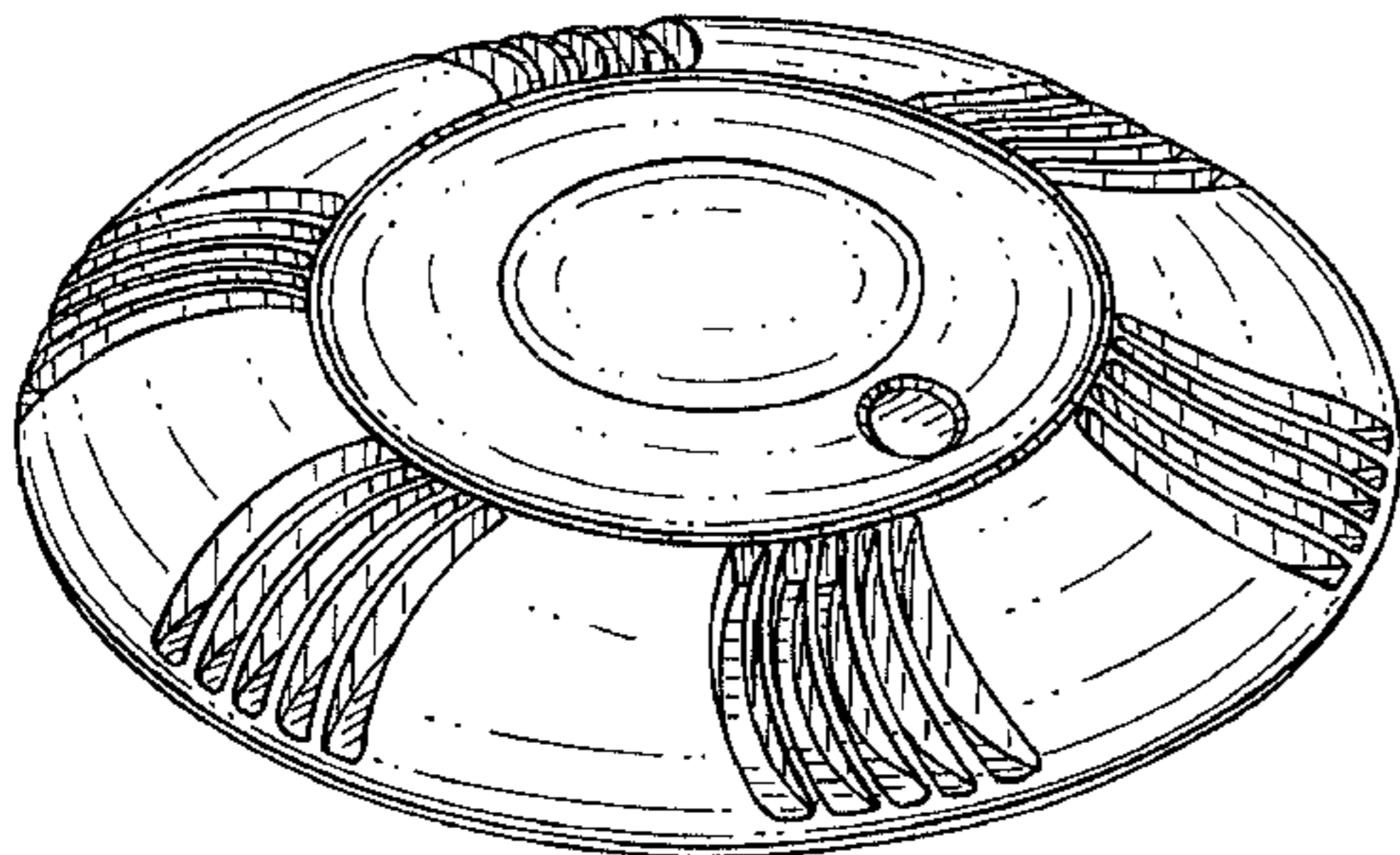


FIG. 1

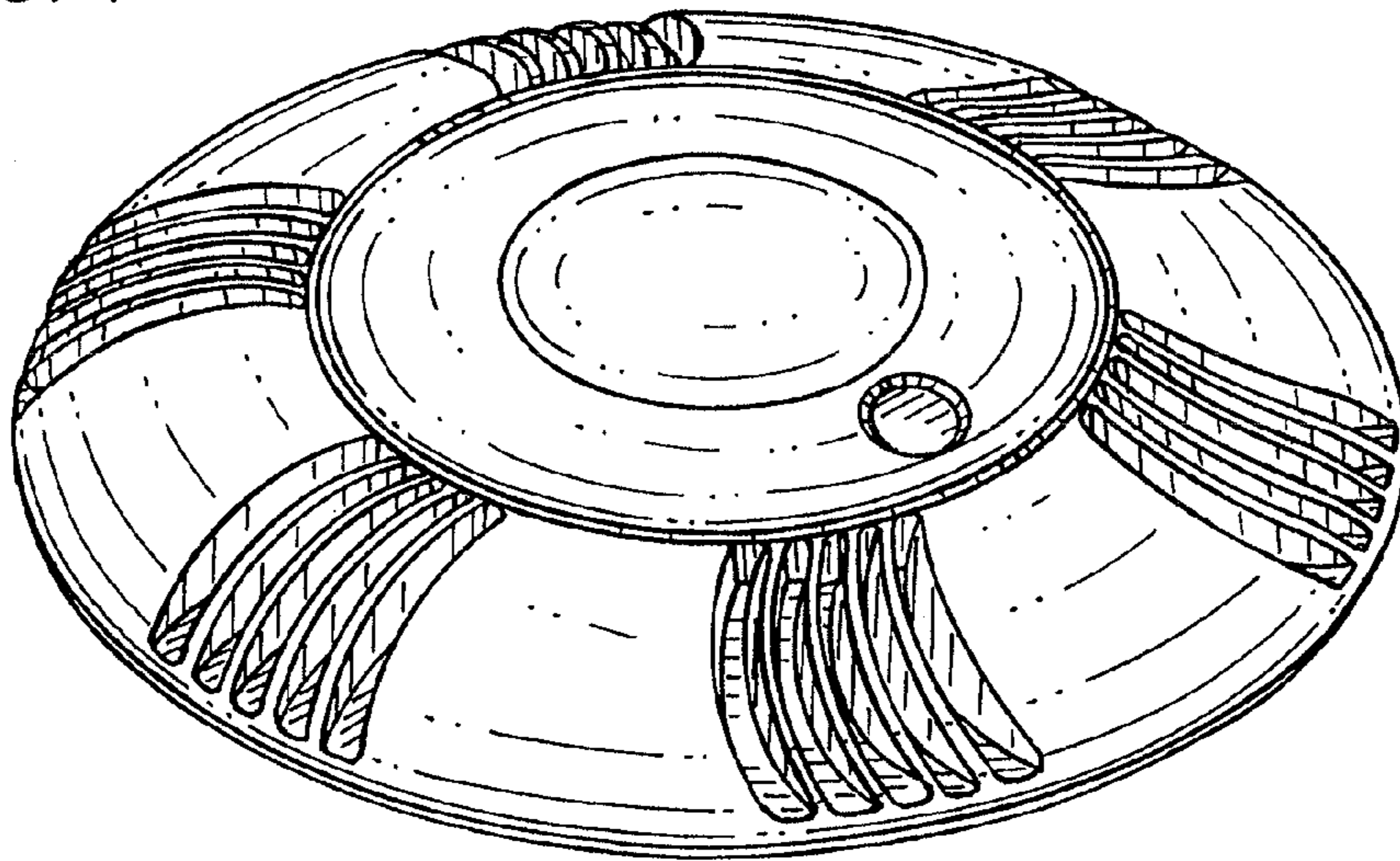


FIG. 4

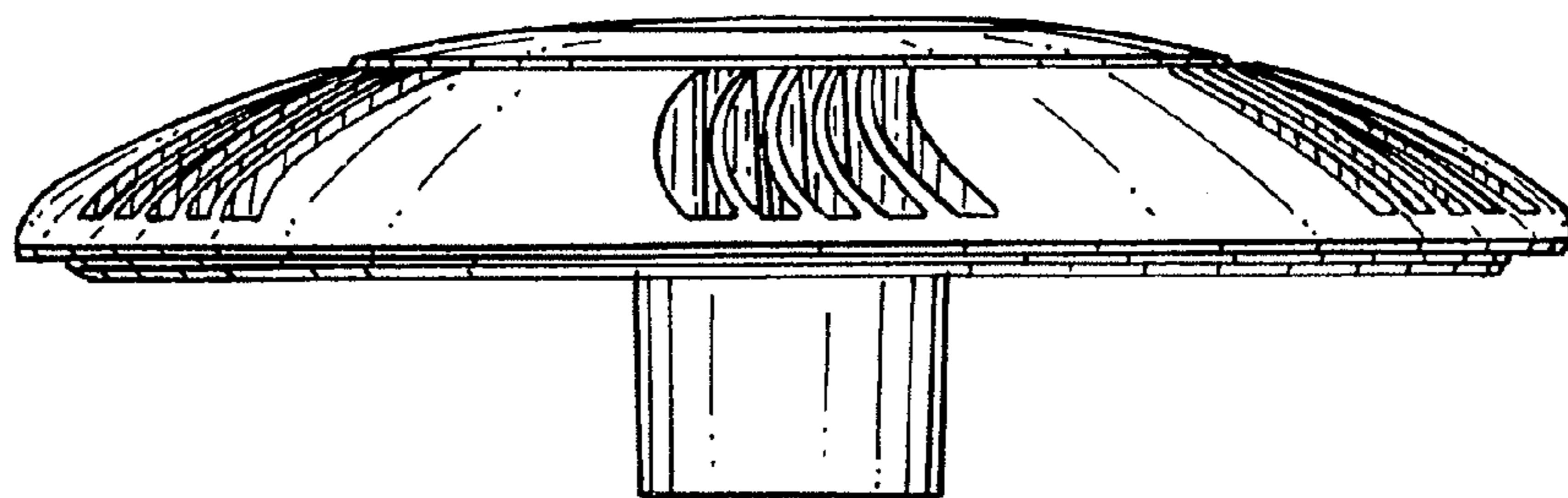


FIG. 2

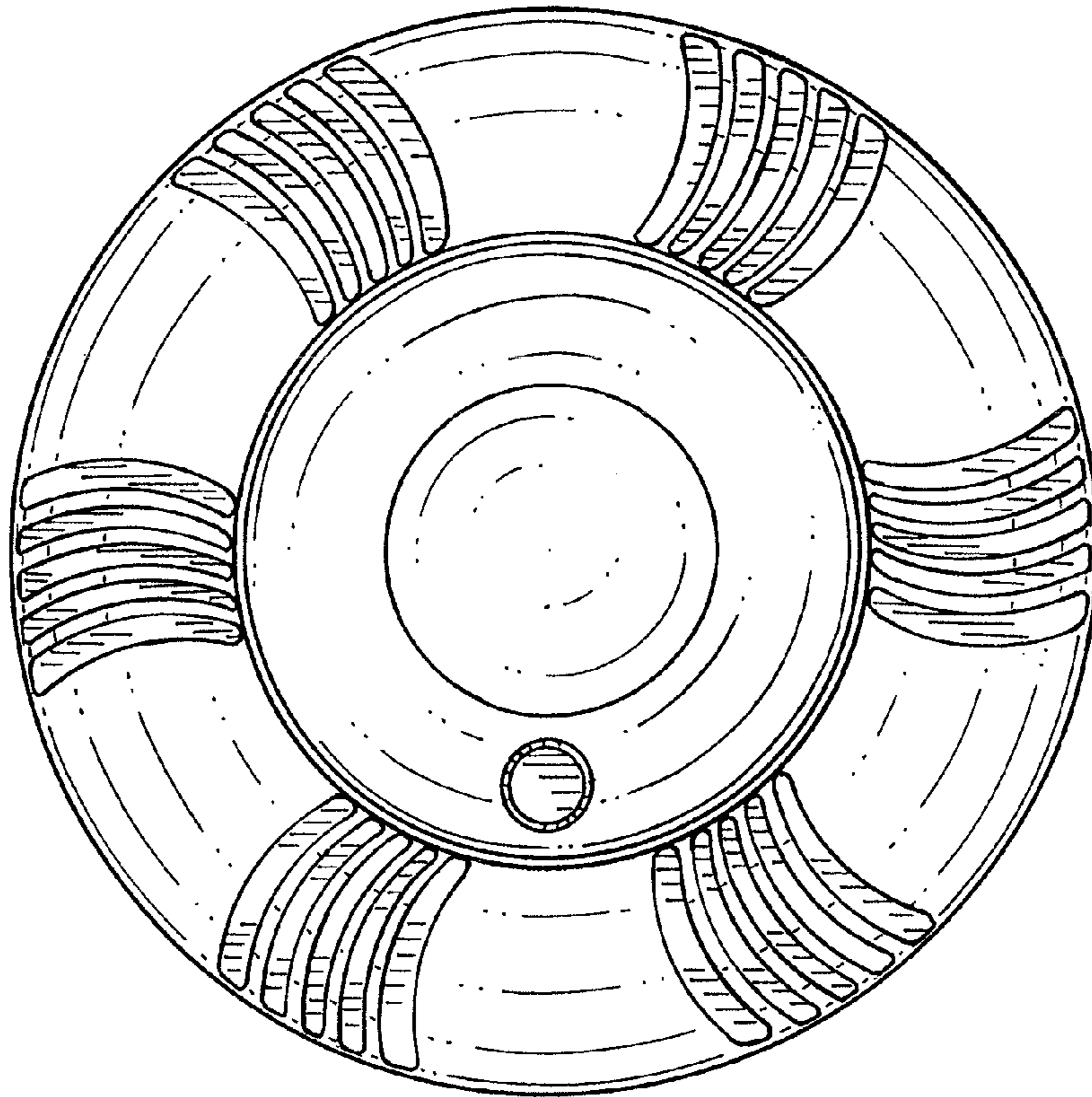


FIG. 3

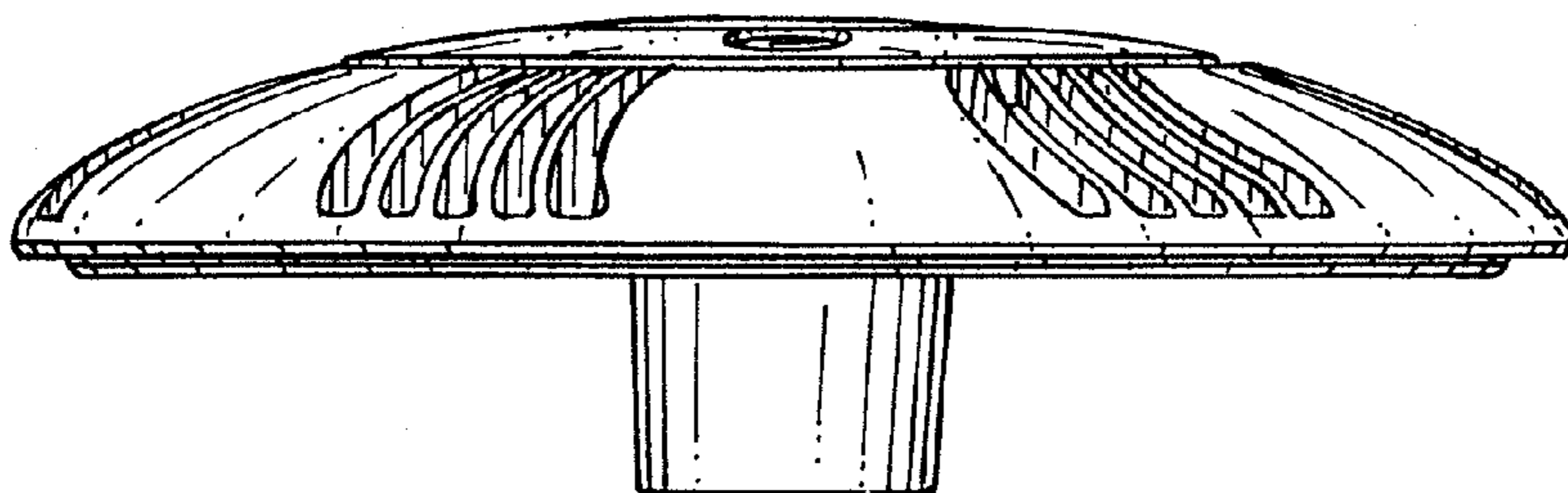


FIG. 5

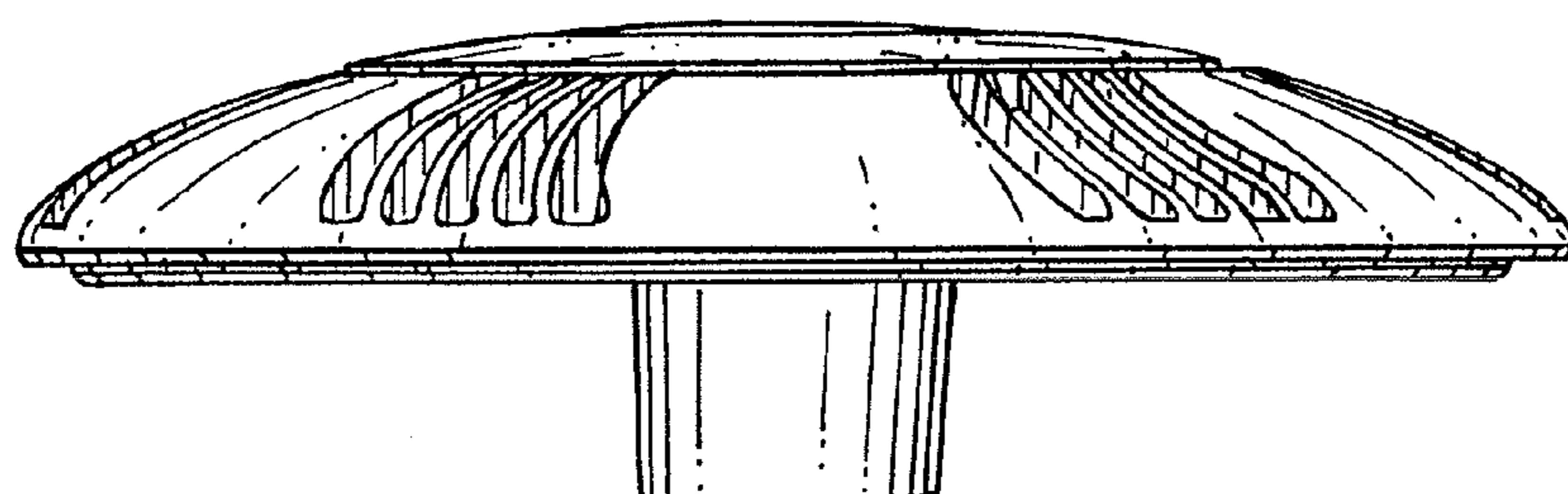
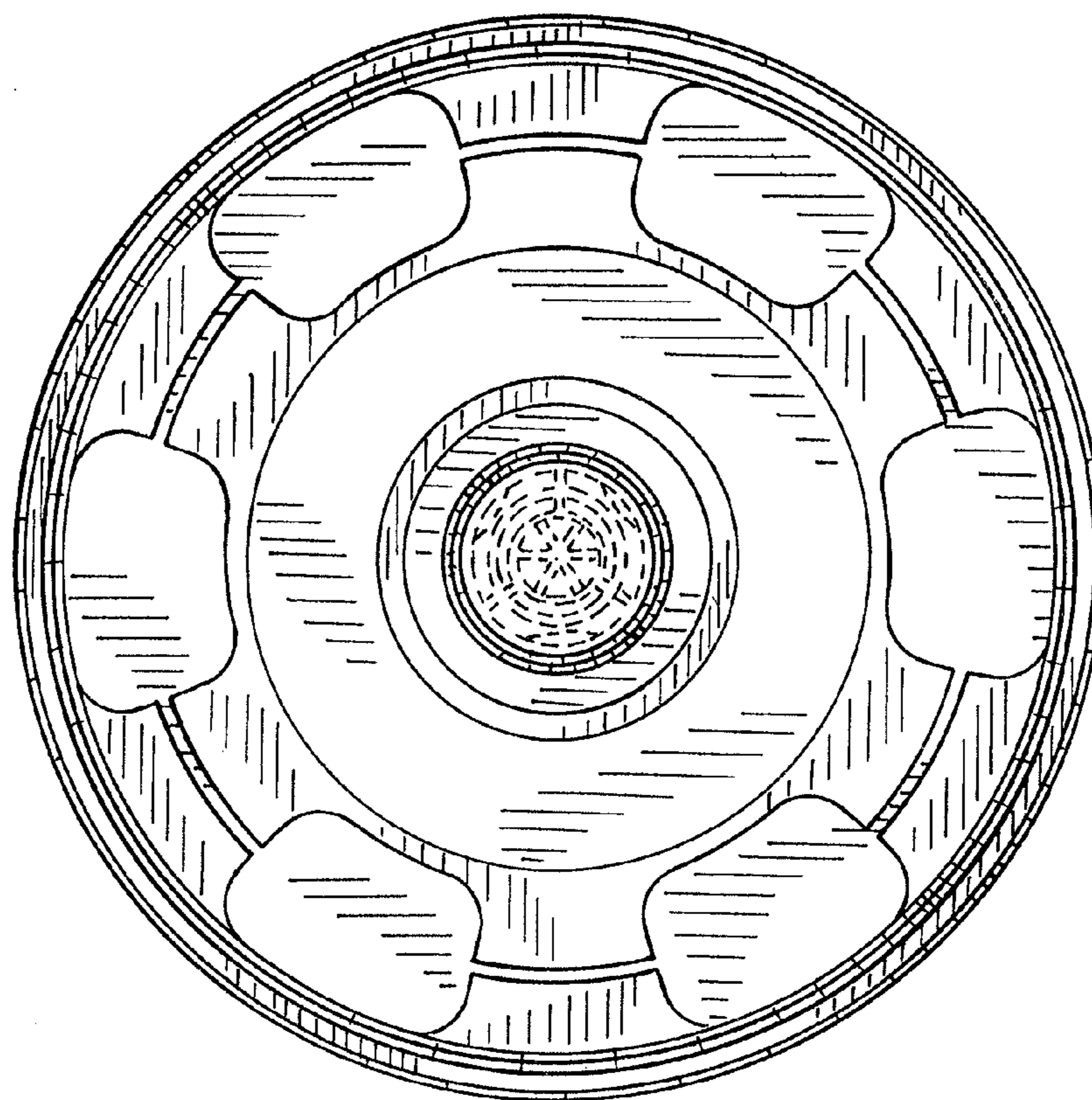


FIG. 6



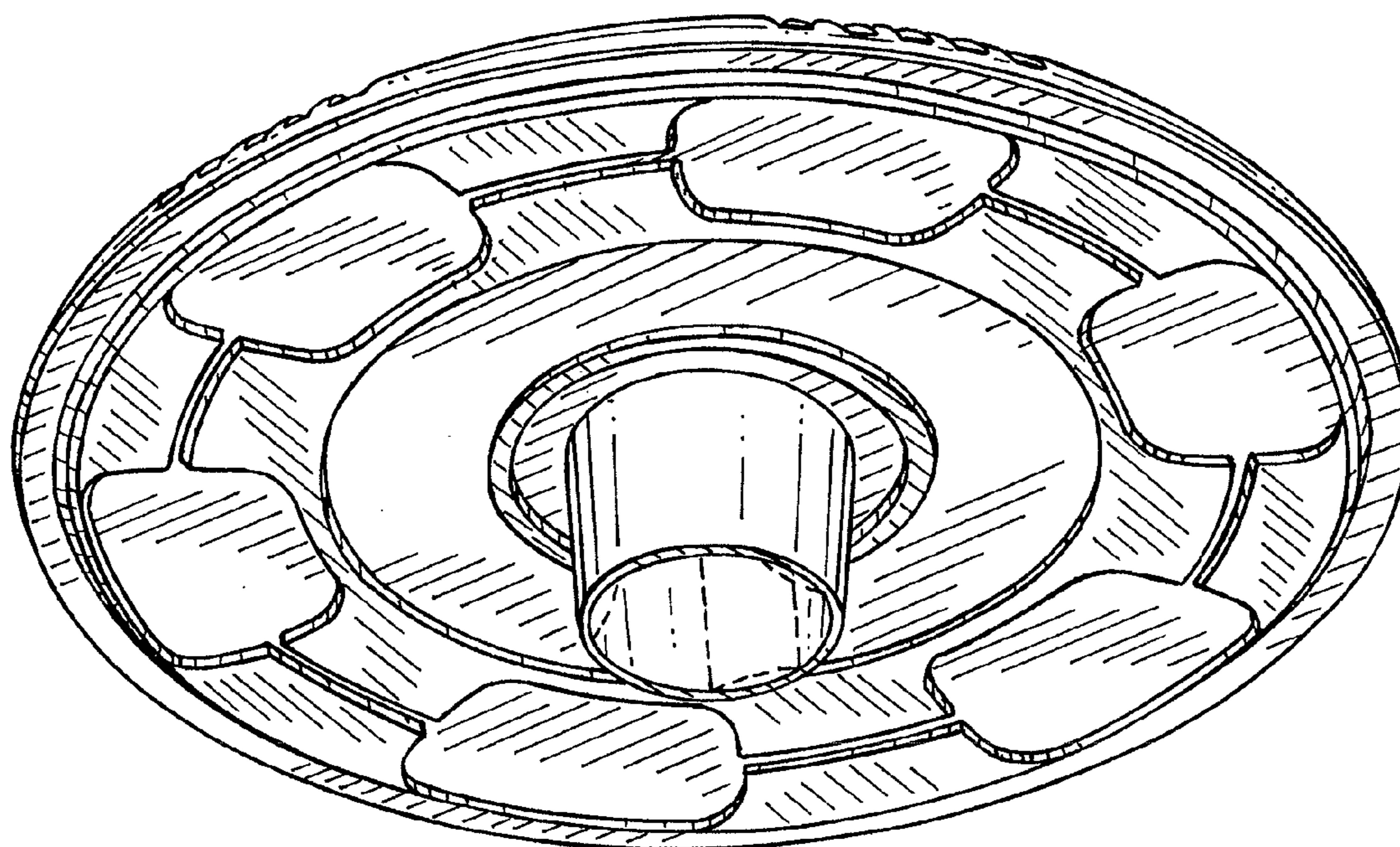


FIG. 7