



US00D752796S

(12) **United States Design Patent**
Baba

(10) **Patent No.:** **US D752,796 S**
(45) **Date of Patent:** **** Mar. 29, 2016**

- (54) **LIGHT FOR DIGITAL CAMERA**
- (71) Applicant: **Samsung Electronics Co., Ltd.,**
Suwon-si (KR)
- (72) Inventor: **Kenji Baba,** Seoul (KR)
- (73) Assignee: **SAMSUNG ELECTRONICS CO.,**
LTD., Suwon-Si (KR)
- (**) Term: **14 Years**
- (21) Appl. No.: **29/459,953**
- (22) Filed: **Jul. 5, 2013**
- (30) **Foreign Application Priority Data**
Jan. 5, 2013 (KR) 30-2013-0000782
- (51) **LOC (10) Cl.** **26-05**
- (52) **U.S. Cl.**
USPC **D26/51**
- (58) **Field of Classification Search**
USPC D26/37, 38, 44, 45, 46, 51, 49, 52;
362/157, 158, 183, 184, 194-196,
362/200-208, 253, 3; D16/208, 219, 235
CPC F21V 33/00; F21V 14/025; F21V 21/406;
F21Y 2101/02; F21L 17/00; F21L 13/08
See application file for complete search history.

- (56) **References Cited**
U.S. PATENT DOCUMENTS
4,777,566 A * 10/1988 Lowell et al. 362/3
D470,518 S * 2/2003 Su et al. D16/202
D486,259 S * 2/2004 Crawford et al. D26/51
6,850,703 B2 * 2/2005 Miyazaki et al. 396/177
D502,488 S * 3/2005 Miyashita D16/240

- D587,832 S * 3/2009 Bergmann et al. D26/63
- 7,581,852 B2 * 9/2009 Kennedy et al. 362/253
- D664,287 S * 7/2012 Cegnar D26/128
- D686,272 S * 7/2013 Umehara et al. D16/243
- D703,720 S * 4/2014 Umehara et al. D16/237
- D723,725 S * 3/2015 Asano et al. D26/51

* cited by examiner

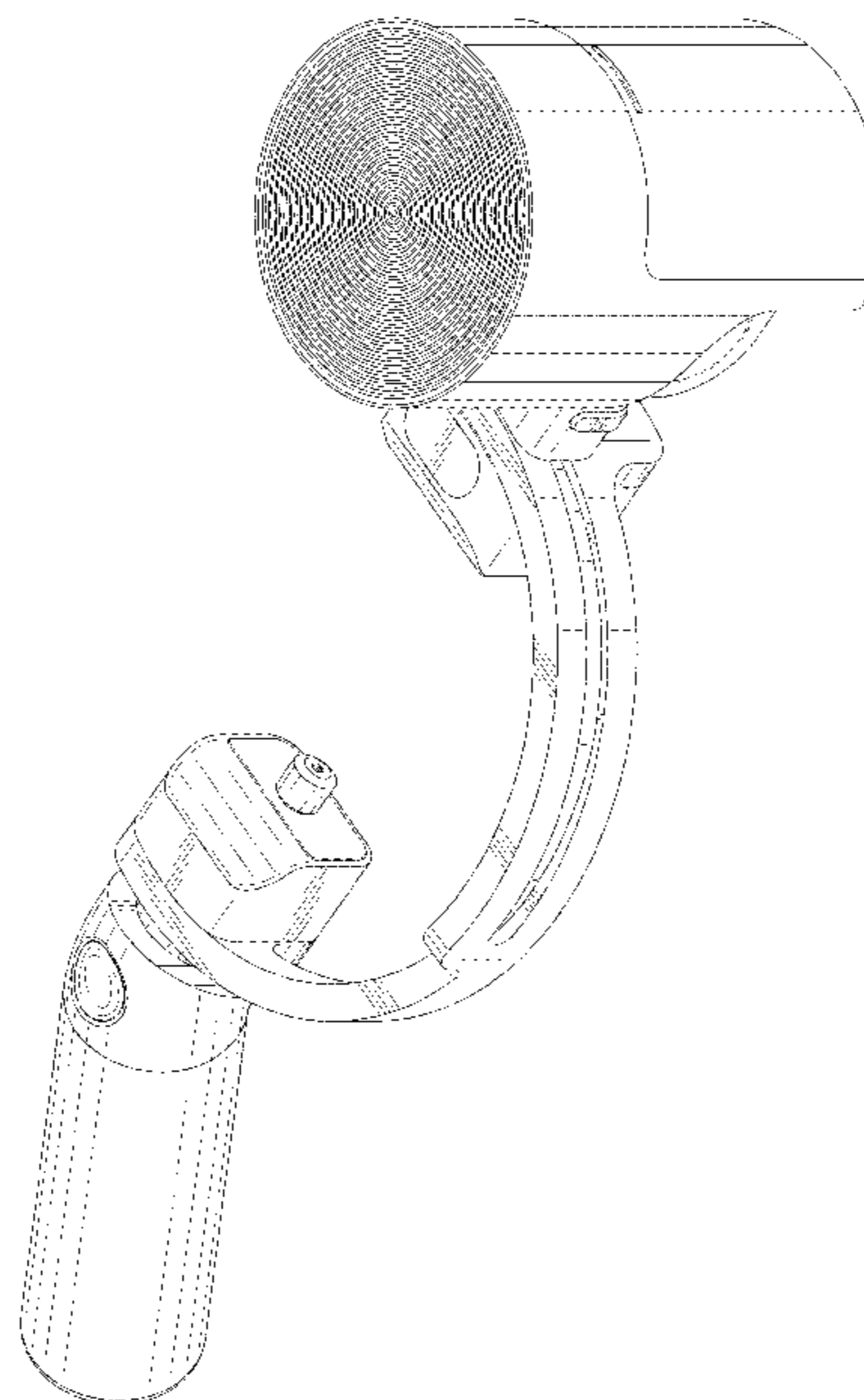
Primary Examiner — Ian Simmons
Assistant Examiner — Carissa C Fitts
(74) *Attorney, Agent, or Firm* — Staas & Halsey LLP

(57) **CLAIM**
The ornamental design for a light for digital camera, as shown and described.

DESCRIPTION

FIG. 1 is a top front perspective view of a light for digital camera;
FIG. 2 is a front view thereof;
FIG. 3 is a rear view thereof;
FIG. 4 is a left-side view of the light for digital camera of FIG. 1;
FIG. 5 is a right-side view thereof;
FIG. 6 is a top view thereof; and
FIG. 7 is a bottom view thereof;
FIG. 8 is another front view thereof combined with a digital camera;
FIG. 9 is another front view thereof, in which a lighting portion is rotated by 90 degree with respect to a digital camera; and,
FIG. 10 is another front view perspective view thereof, in which a digital camera and a lighting portion are inclined obliquely with respect to a grip.
The broken line showing is for environment purposes only and forms no part of the claimed design.

1 Claim, 8 Drawing Sheets



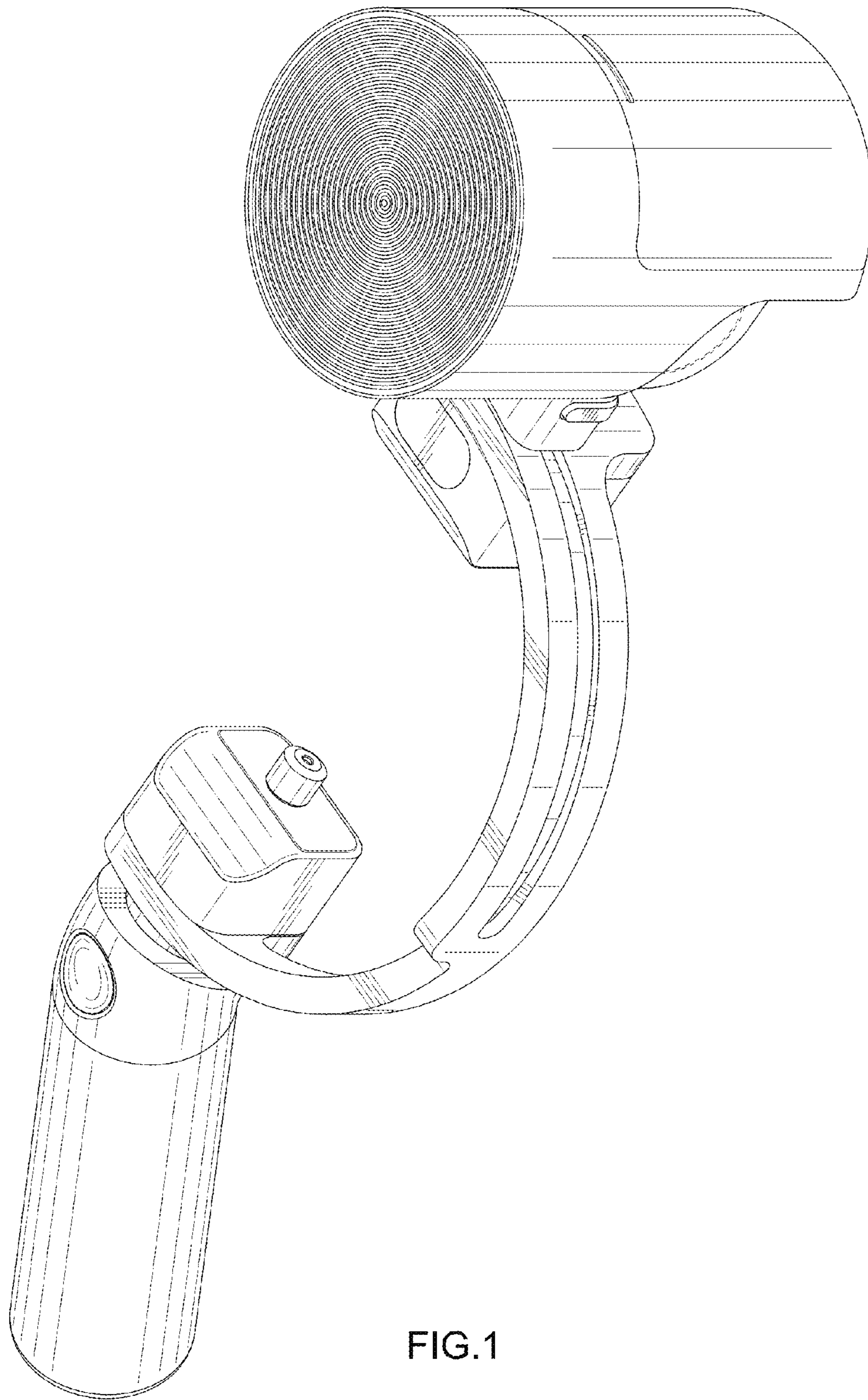


FIG. 1

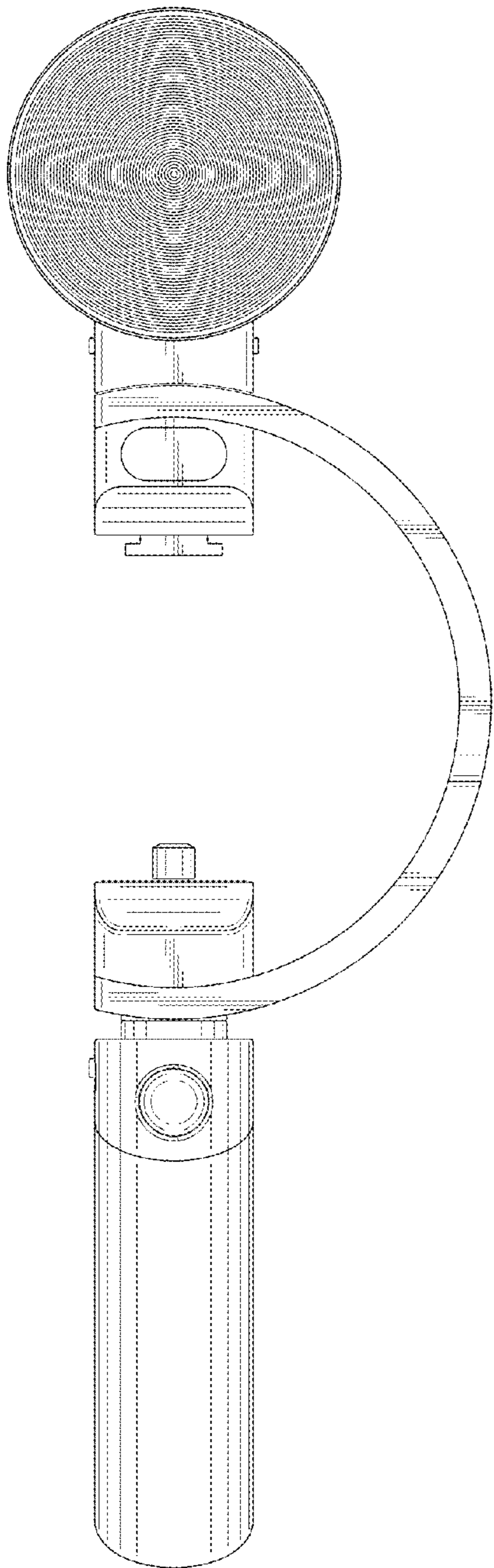


FIG.2

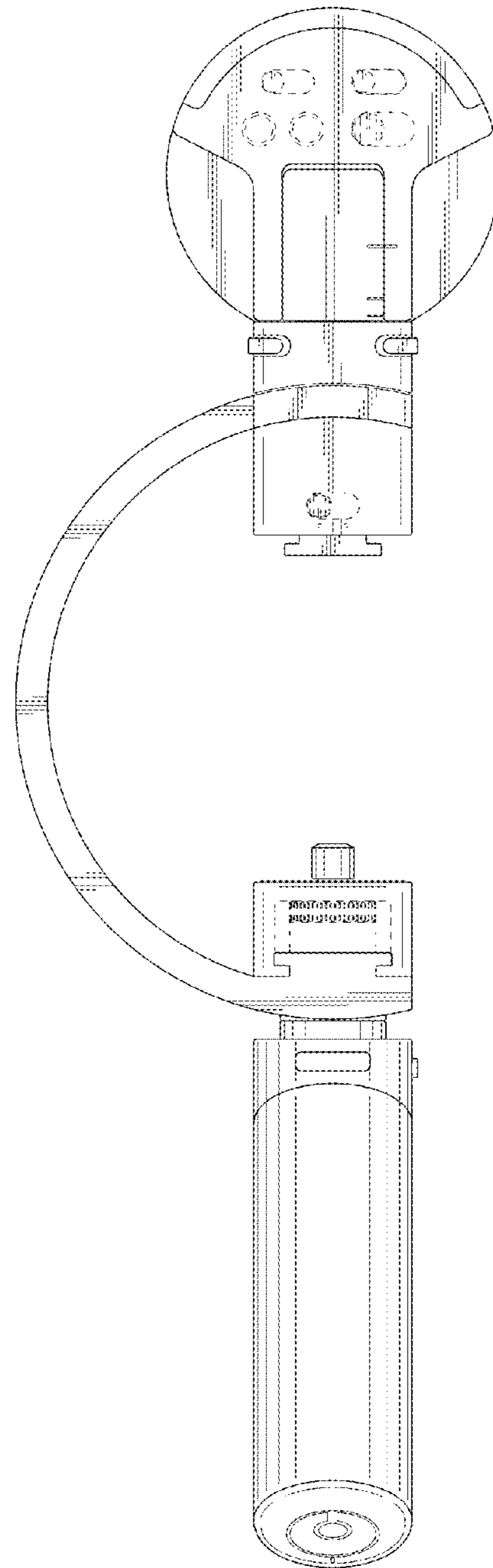


FIG.3

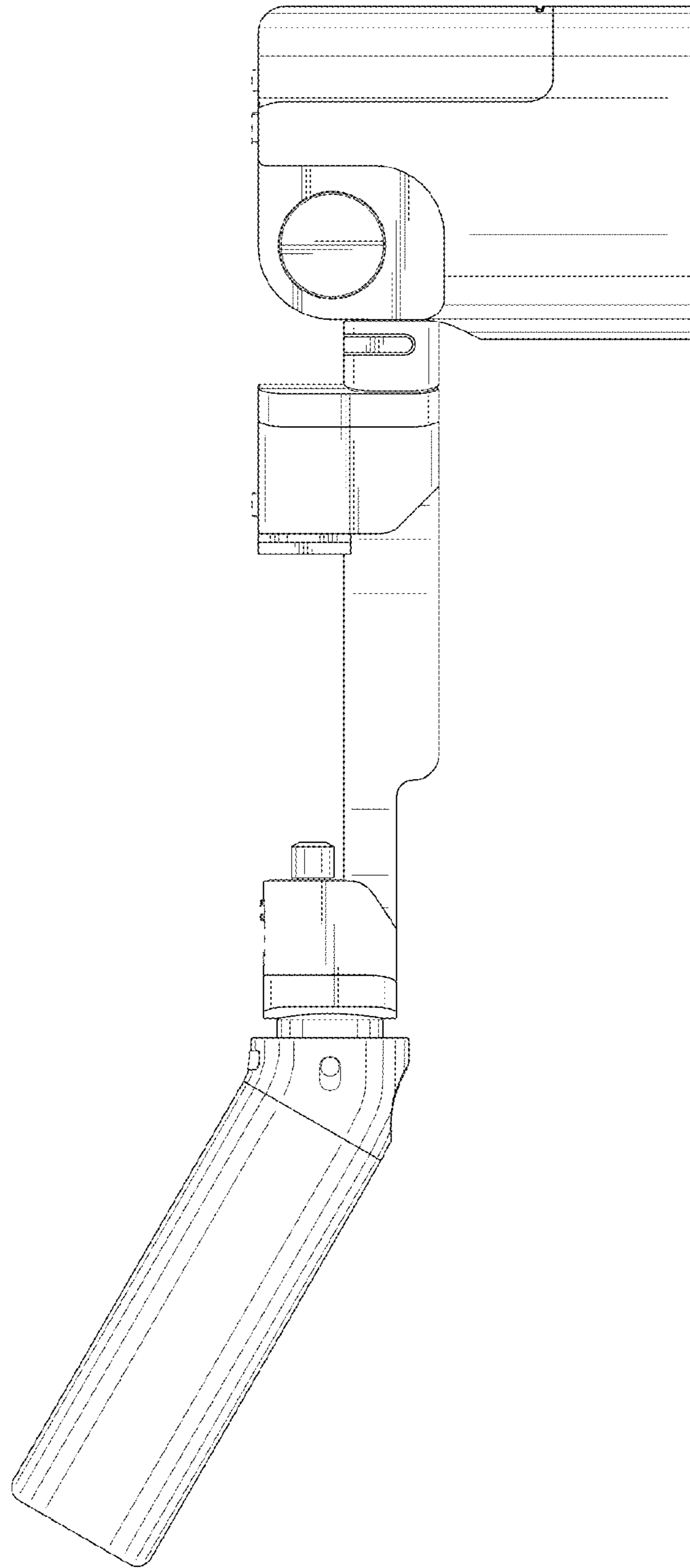


FIG. 4

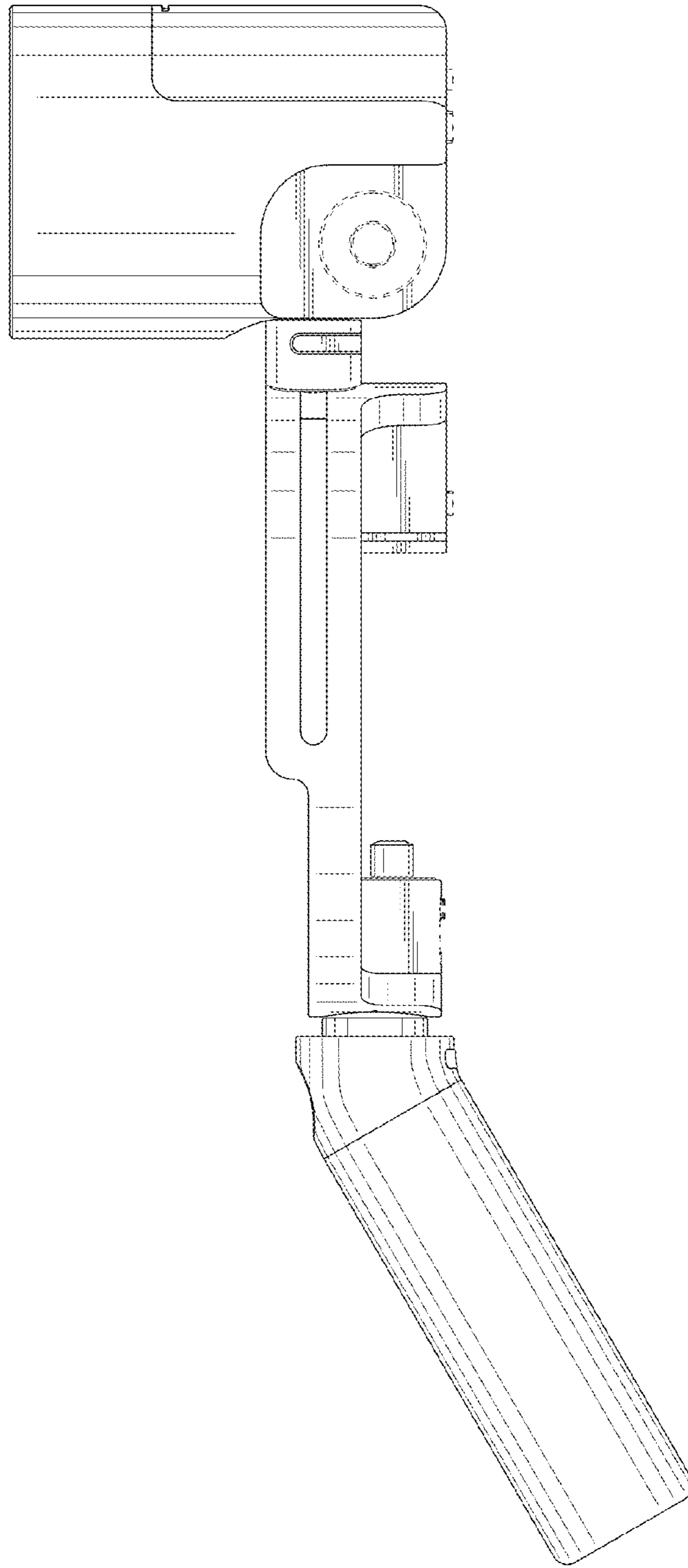


FIG. 5

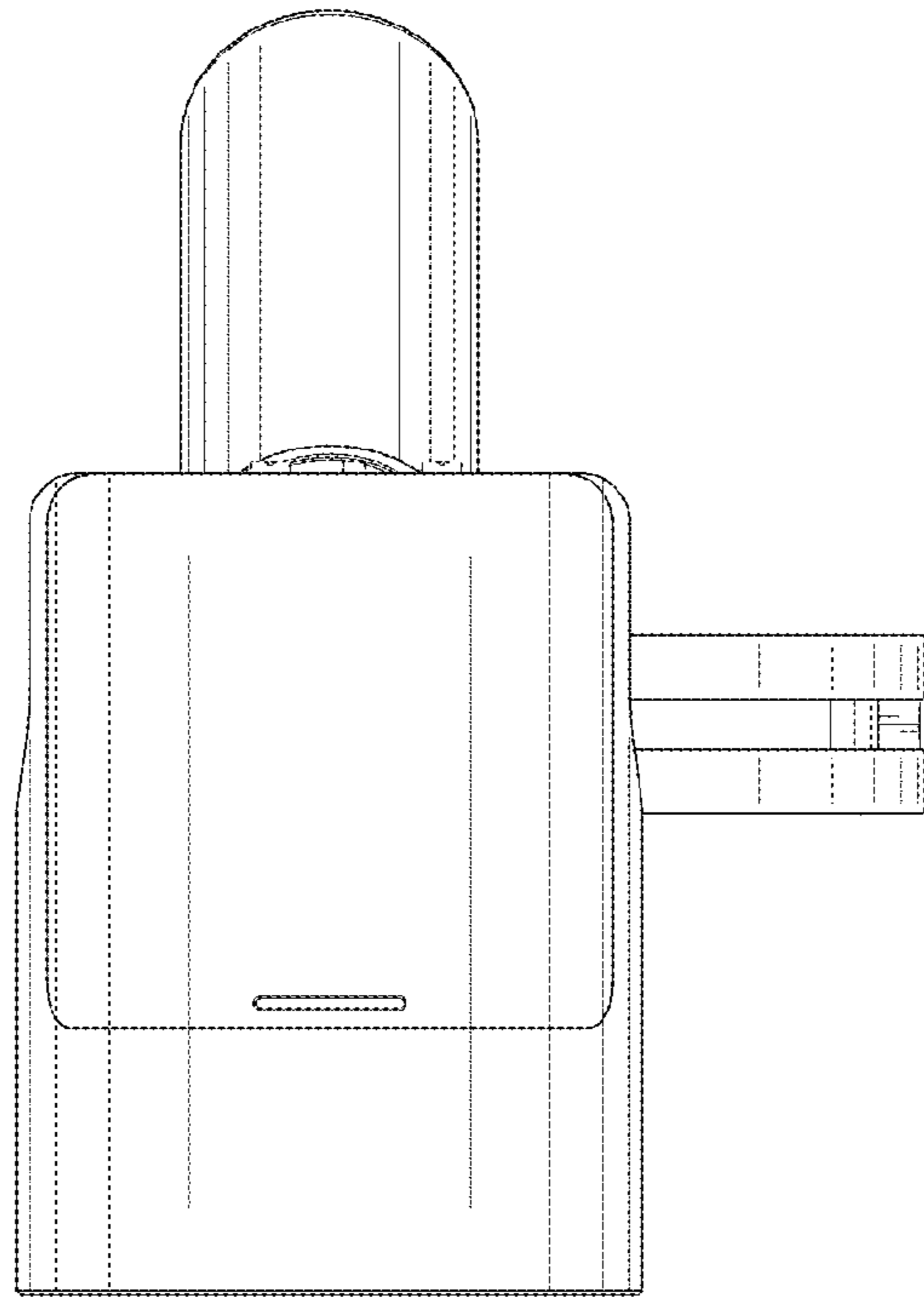


FIG. 6

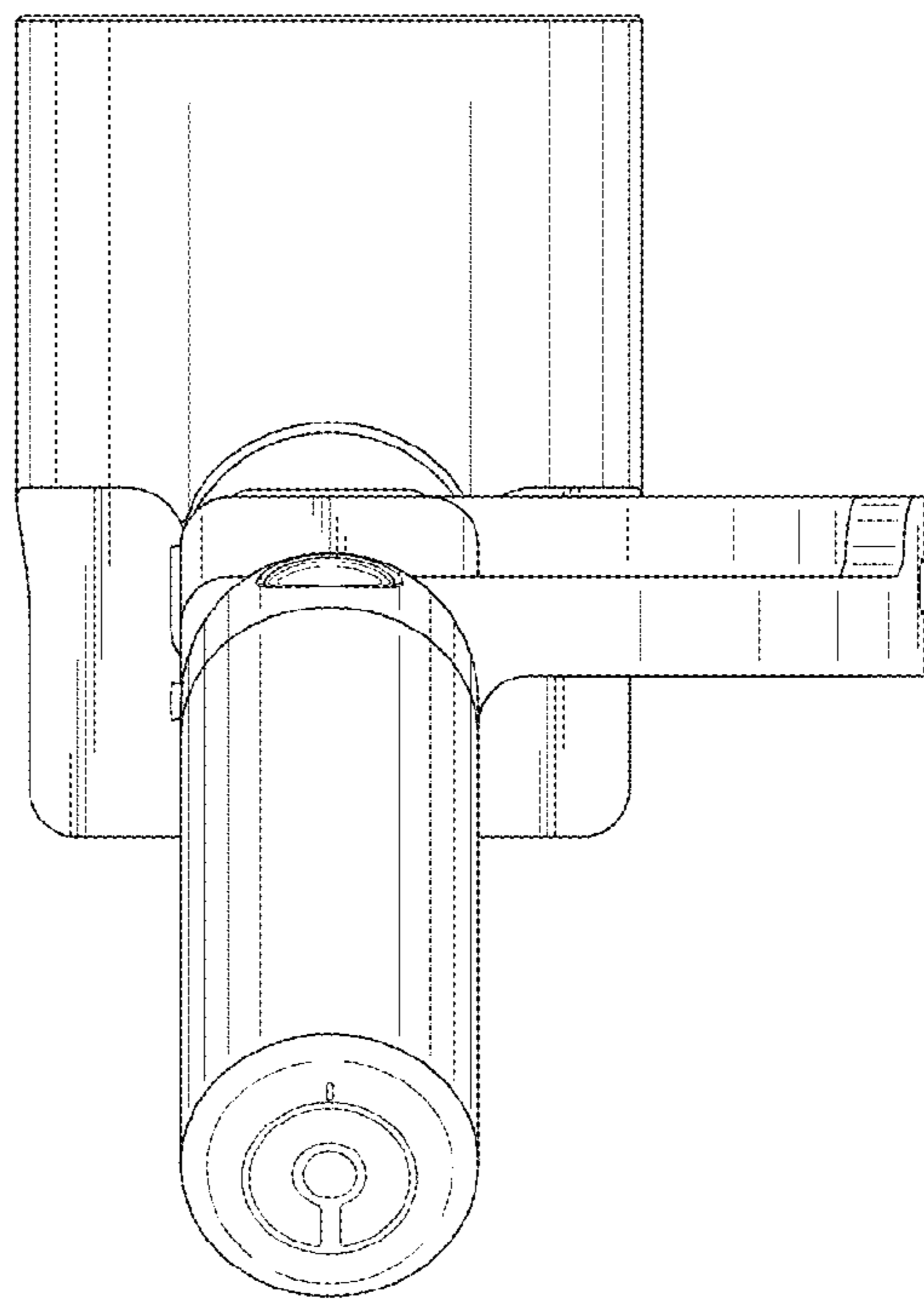


FIG. 7

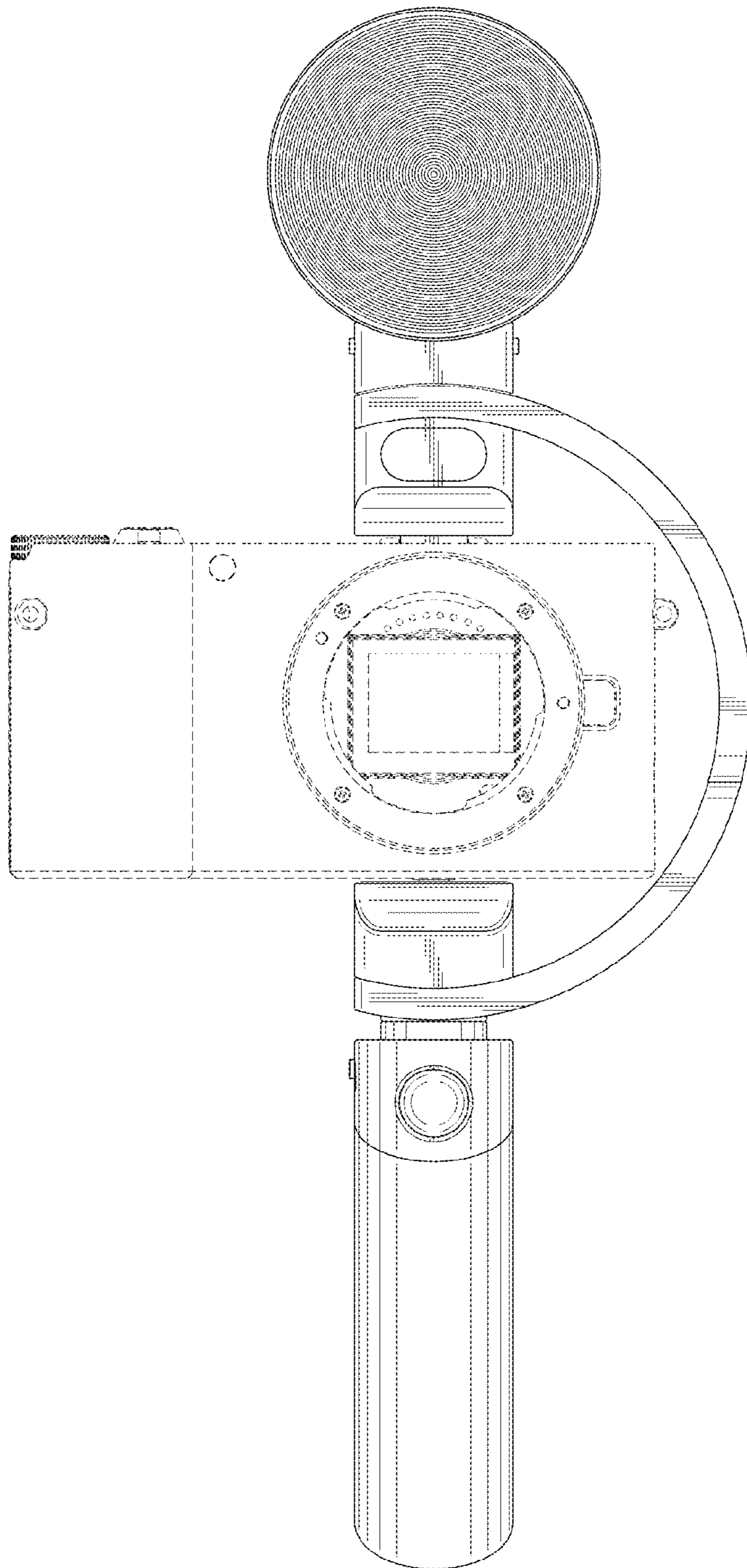


FIG.8

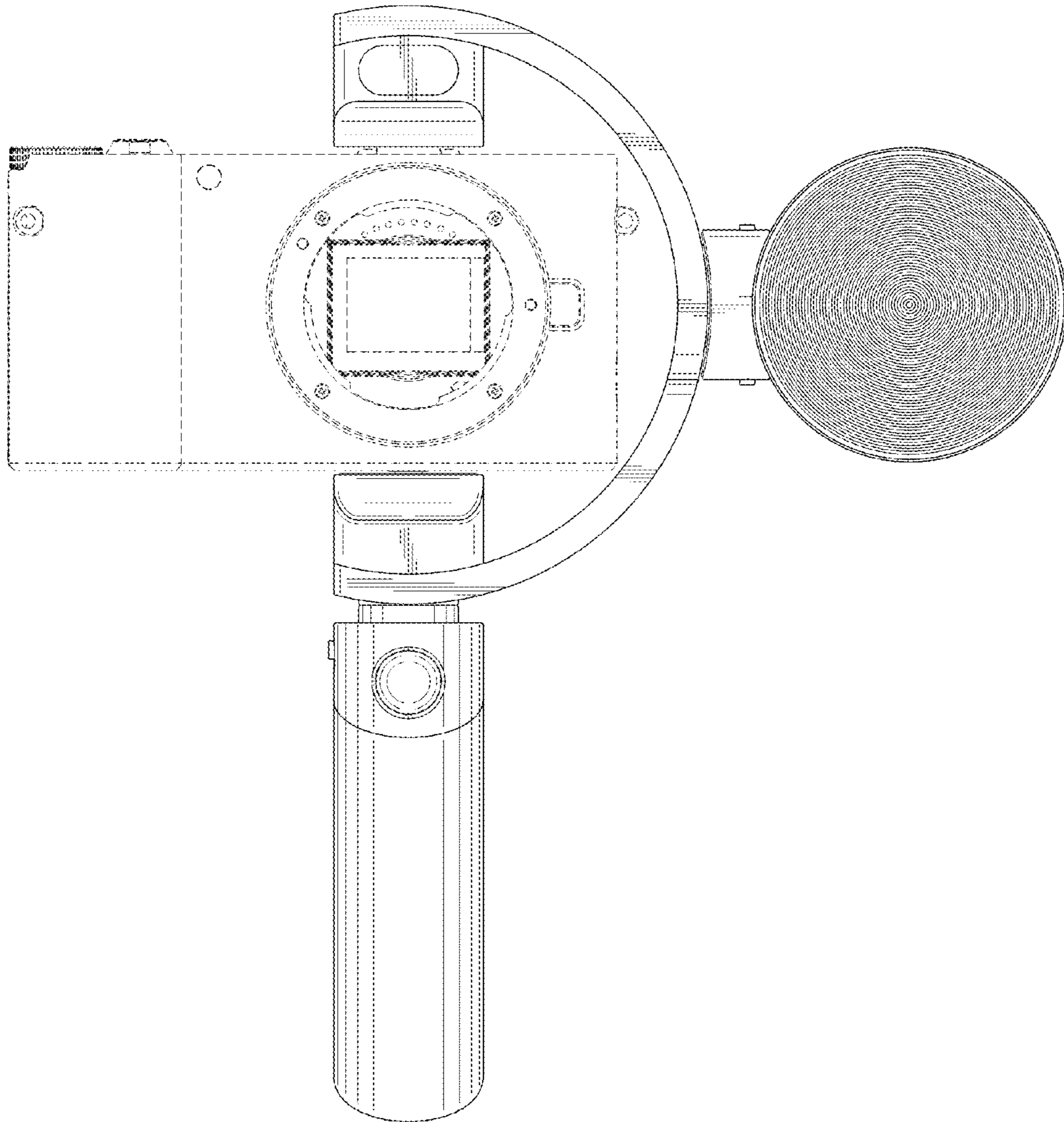


FIG.9

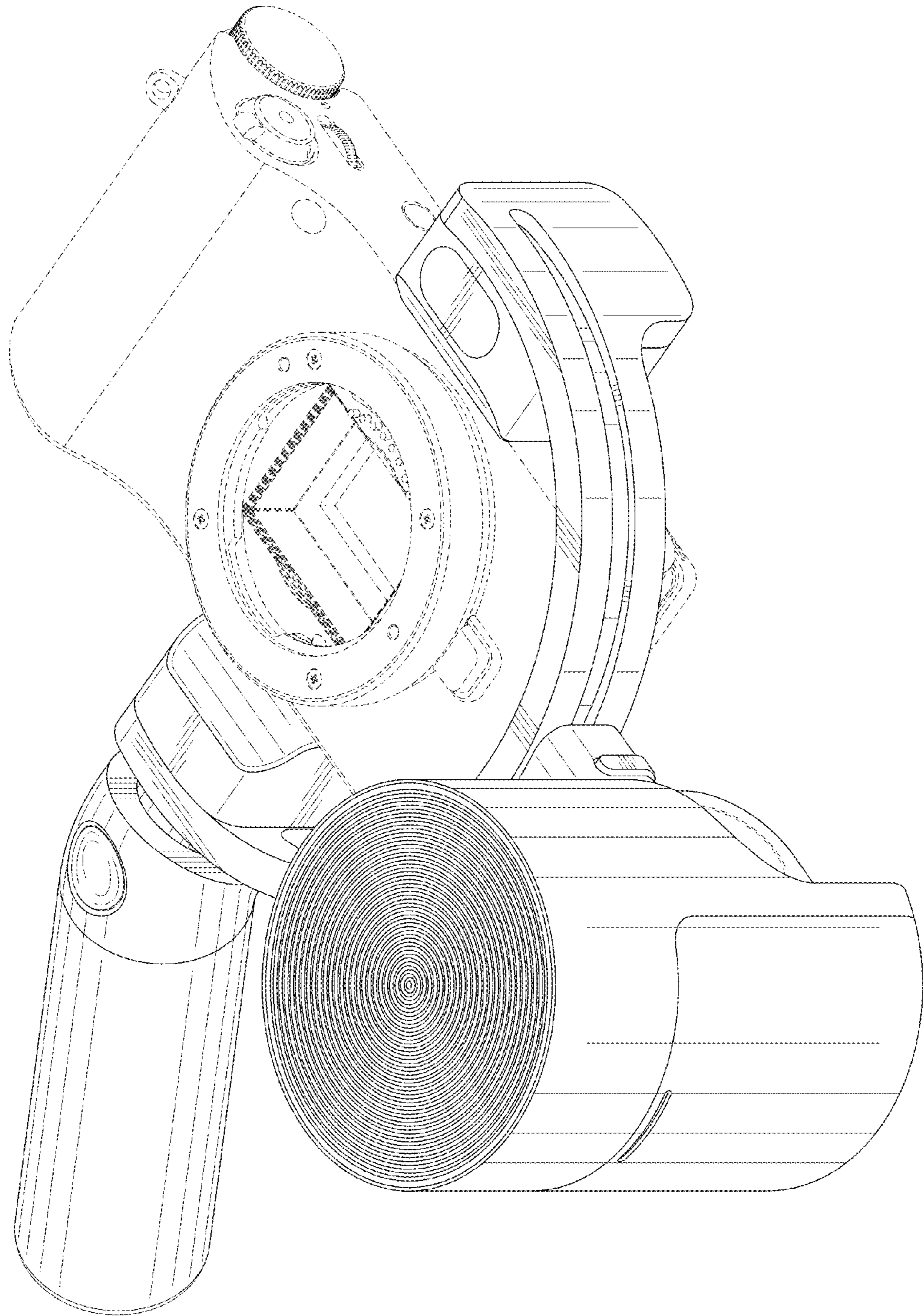


FIG.10