



US00D752795S

(12) **United States Design Patent**
Jigamian

(10) **Patent No.:** **US D752,795 S**
(45) **Date of Patent:** **** Mar. 29, 2016**

(54) **PORTABLE LIGHT HANDLES**

(71) Applicant: **Surefire LLC**, Fountain Valley, CA (US)

(72) Inventor: **Gregory Z. Jigamian**, Temecula, CA (US)

(73) Assignee: **Surefire LLC.**, Fountain Valley, CA (US)

(**) Term: **14 Years**

(21) Appl. No.: **29/492,124**

(22) Filed: **May 28, 2014**

(51) **LOC (10) Cl.** **26-02**

(52) **U.S. Cl.**
USPC **D26/50; D26/113**

(58) **Field of Classification Search**
USPC D26/37, 38, 40, 41, 46, 49, 48, 50;
362/157, 158, 183, 184, 194–196,
362/200–208; D32/53; D8/300, 306, 321,
D8/313, 401, 325
CPC F21V 33/00; F21V 14/025; F21V 21/406;
F21Y 2101/02; F21L 17/00; F21L 13/08;
F21L 2001/00; F21L 14/02; B65D 88/54
See application file for complete search history.

(56) **References Cited**

U.S. PATENT DOCUMENTS

D107,097 S	*	11/1937	Rideout	D32/53
D235,730 S	*	7/1975	Bush	D8/306
D355,736 S	*	2/1995	Licari	D32/53
D359,814 S	*	6/1995	Yuen	D26/48
D404,158 S	*	1/1999	Yuen	D26/50
D422,732 S	*	4/2000	Kung	D26/48
D446,326 S	*	8/2001	Yeun	D26/48

(Continued)

Primary Examiner — Ian Simmons

Assistant Examiner — Carissa C Fitts

(74) *Attorney, Agent, or Firm* — Daniel L. Dawes; Marcus C. Dawes

(57) **CLAIM**

The ornamental design for portable light handles, as shown and described.

DESCRIPTION

FIG. 1 is a front perspective view of the claimed handles folded down in the nondeployed configuration as rotatably attached to a portable search shown in dotted outline.

FIG. 2 is a left side plan elevational view of the handles of FIG. 1 in the folded nondeployed configuration.

FIG. 3 is a right side plan elevational view of handles of FIG. 1 in the folded nondeployed configuration.

FIG. 4 is a top plan elevational view of the handles of FIG. 1 in the folded nondeployed configuration.

FIG. 5 is a bottom plan elevational view of the handles of FIG. 1 in the folded nondeployed configuration.

FIG. 6 is a rear end elevational view of the handles of FIG. 1 in the folded nondeployed configuration.

FIG. 7 is a front end elevational view of the handles of FIG. 1 in the folded nondeployed configuration.

FIG. 8 is a front perspective view of the claimed handles of the present invention as shown in FIG. 1, but with the handles moved upward into a locked deployed position suitable for man grasping of the handles with the portable light shown in dotted outline.

FIG. 9 is a left side plan elevational view of the handles of FIG. 8 in the deployed configuration.

FIG. 10 is a right side plan elevational view of the handles of FIG. 8 in the deployed configuration

FIG. 11 is a top plan elevational view of the handles of FIG. 8 in the deployed configuration.

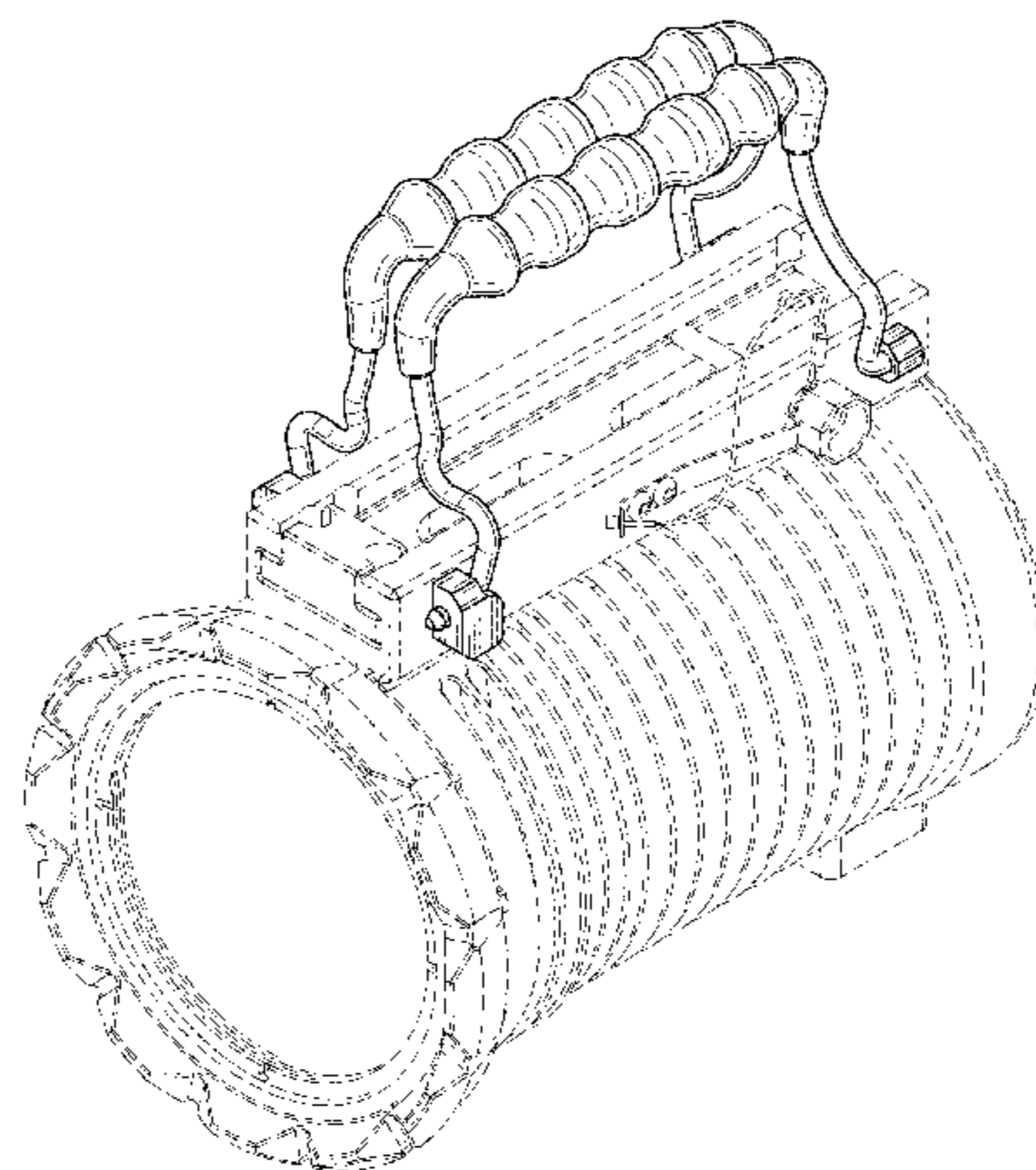
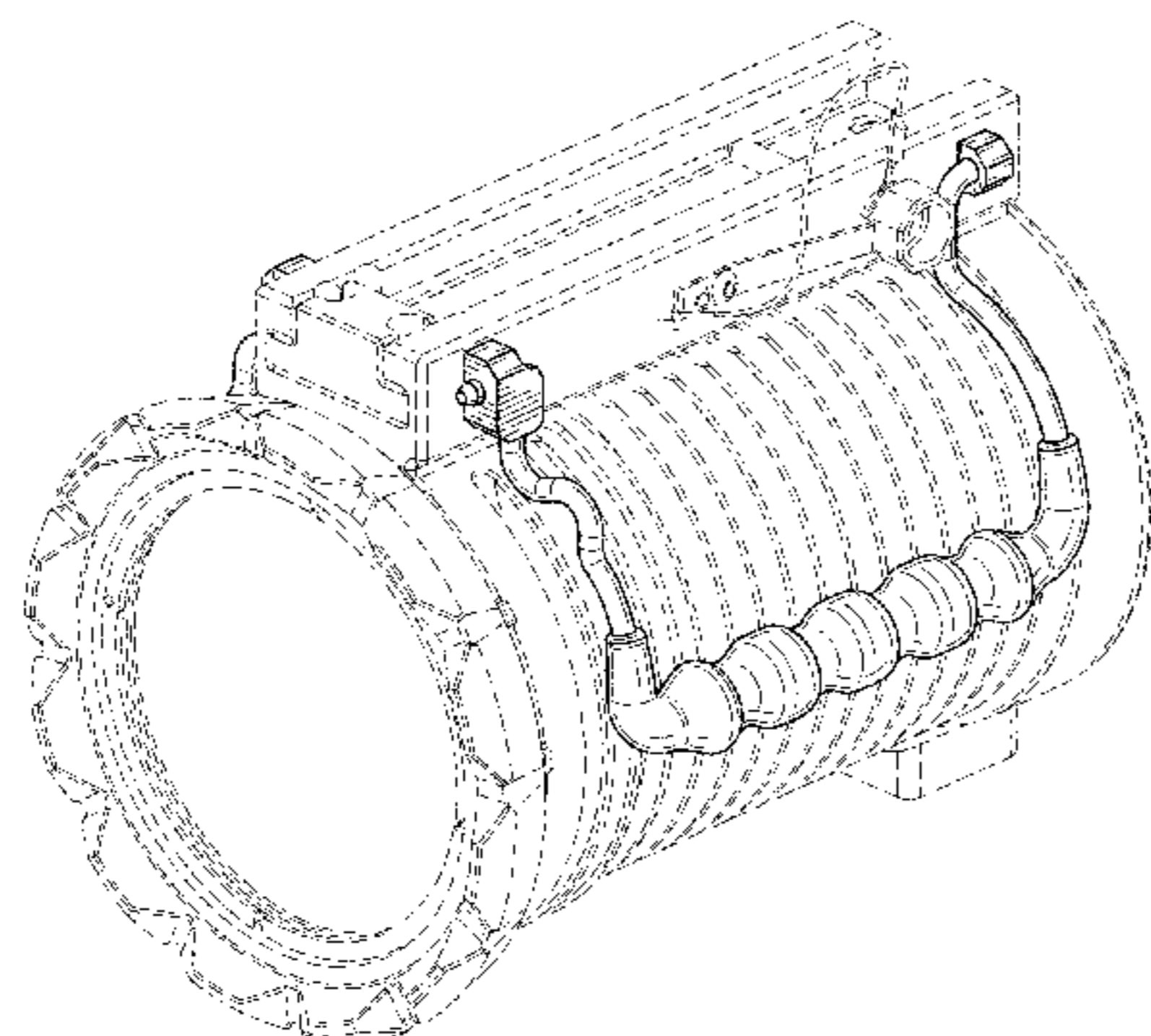
FIG. 12 is a bottom plan elevational view of the handles of FIG. 8 in the deployed configuration.

FIG. 13 is a rear end elevational view of the handles of FIG. 8 in the deployed configuration; and,

FIG. 14 is a front elevational view of the handles of FIG. 8 in the deployed configuration.

The broken line represents portions of the article not claimed and forms no part of the claimed design.

1 Claim, 14 Drawing Sheets



US D752,795 S

Page 2

(56)

References Cited

U.S. PATENT DOCUMENTS

D481,148 S * 10/2003 Brown D26/50
D527,153 S * 8/2006 Morad D32/53
D530,052 S * 10/2006 Berti D32/53

D546,659 S * 7/2007 Smith D8/313
D631,630 S * 1/2011 Berti D32/53
D646,817 S * 10/2011 Yuen D26/48
D685,559 S * 7/2013 Kessler D21/472
D723,113 S * 2/2015 Wang D21/532

* cited by examiner

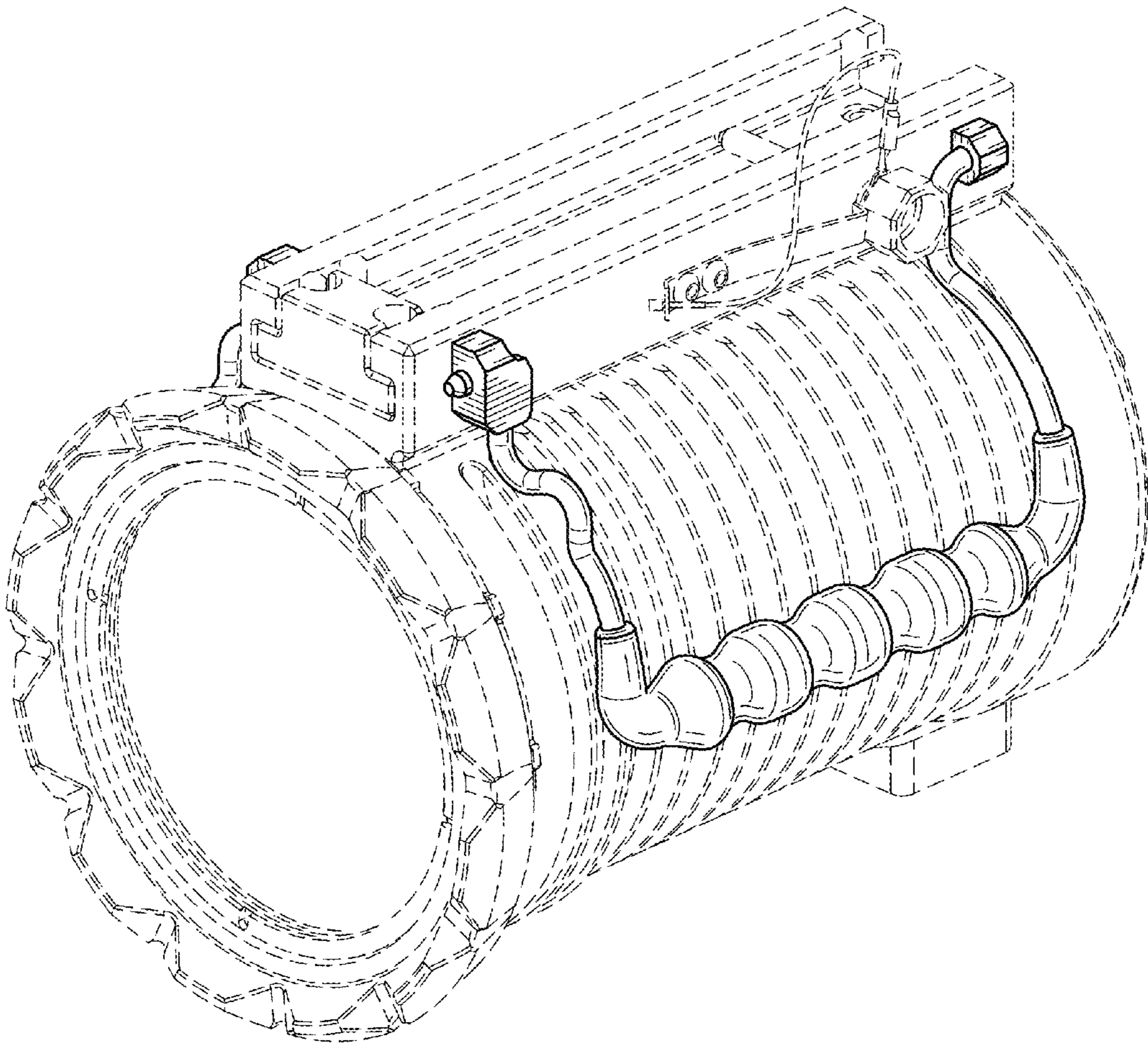


FIG. 1

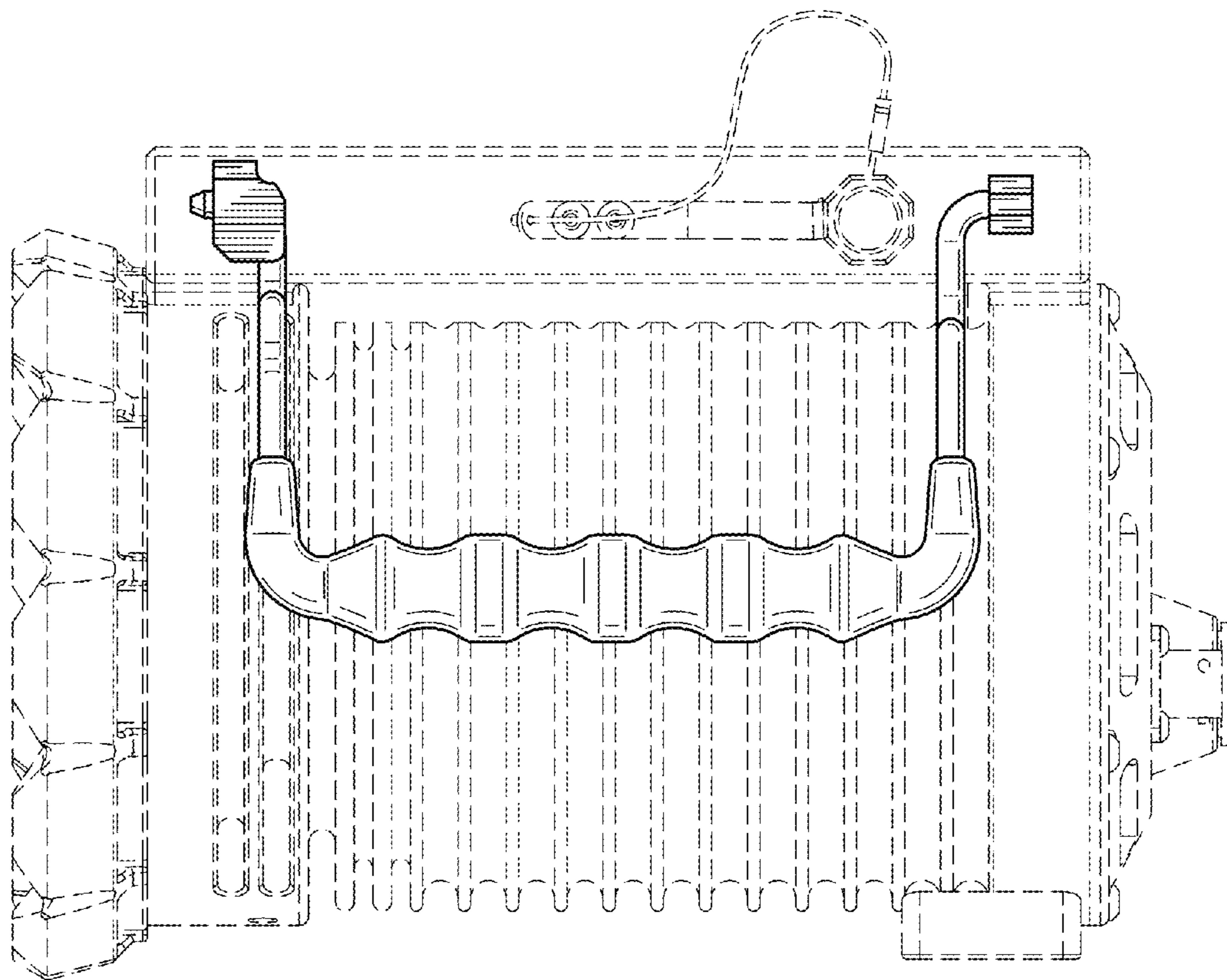


FIG. 2

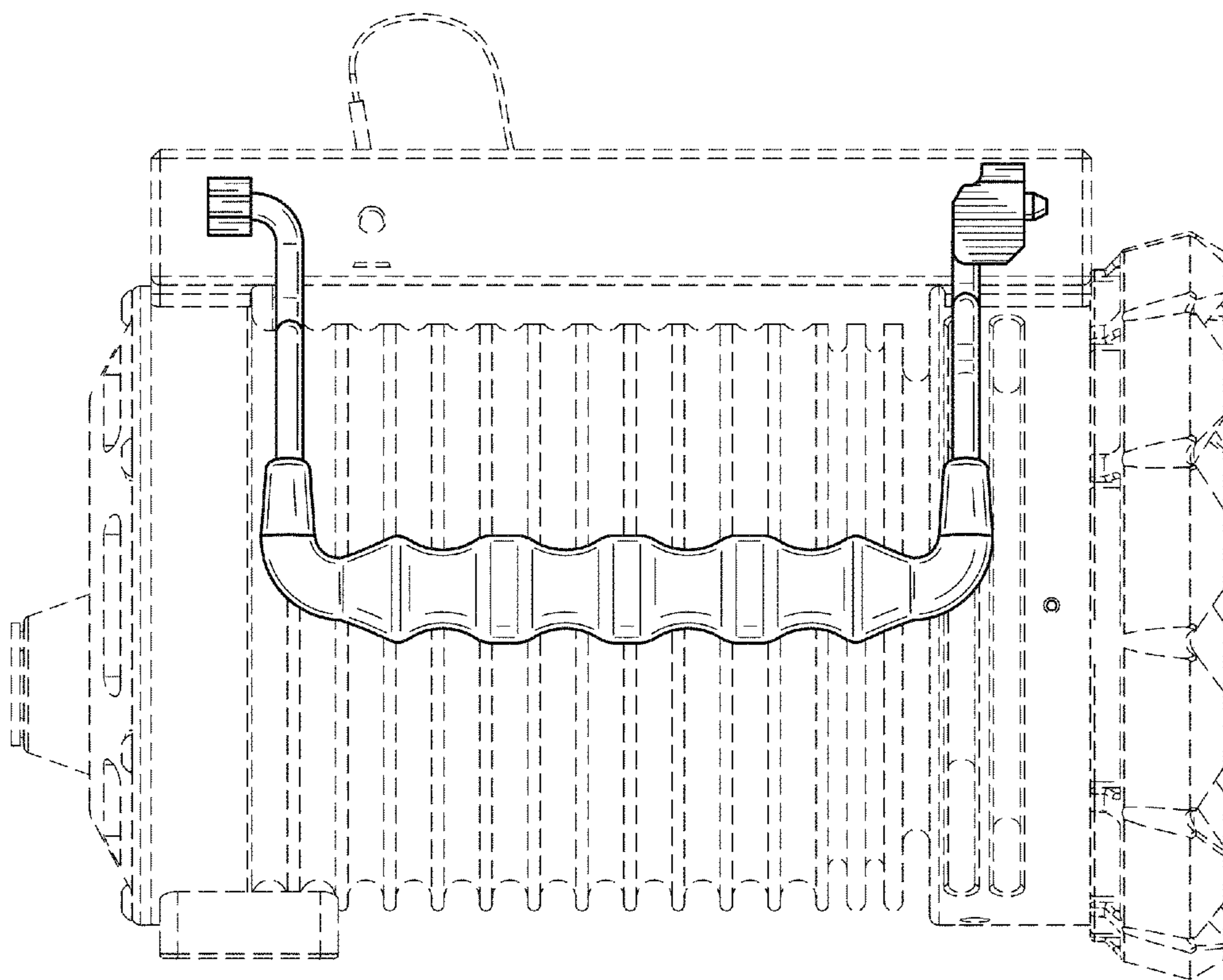


FIG. 3

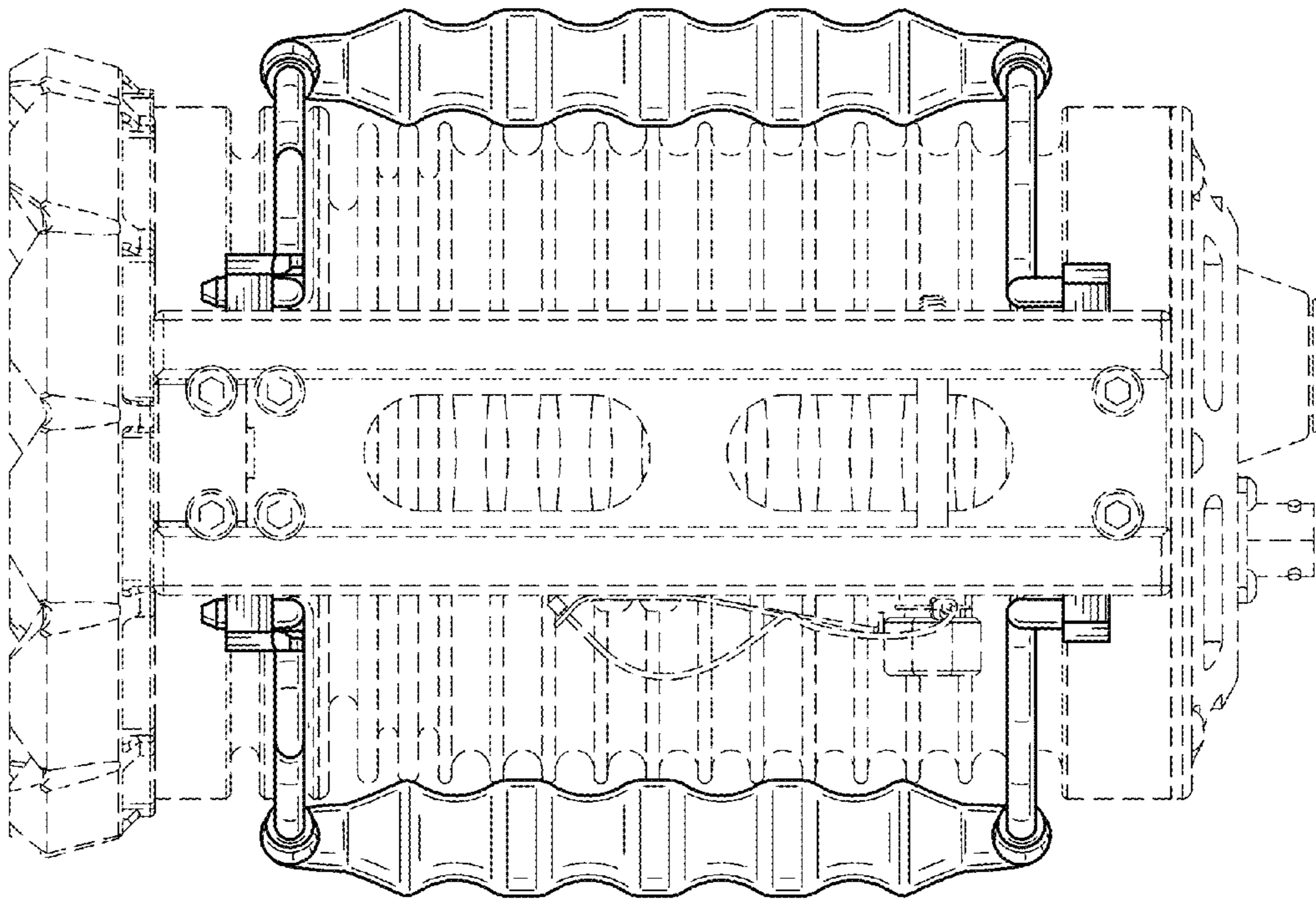


FIG. 4

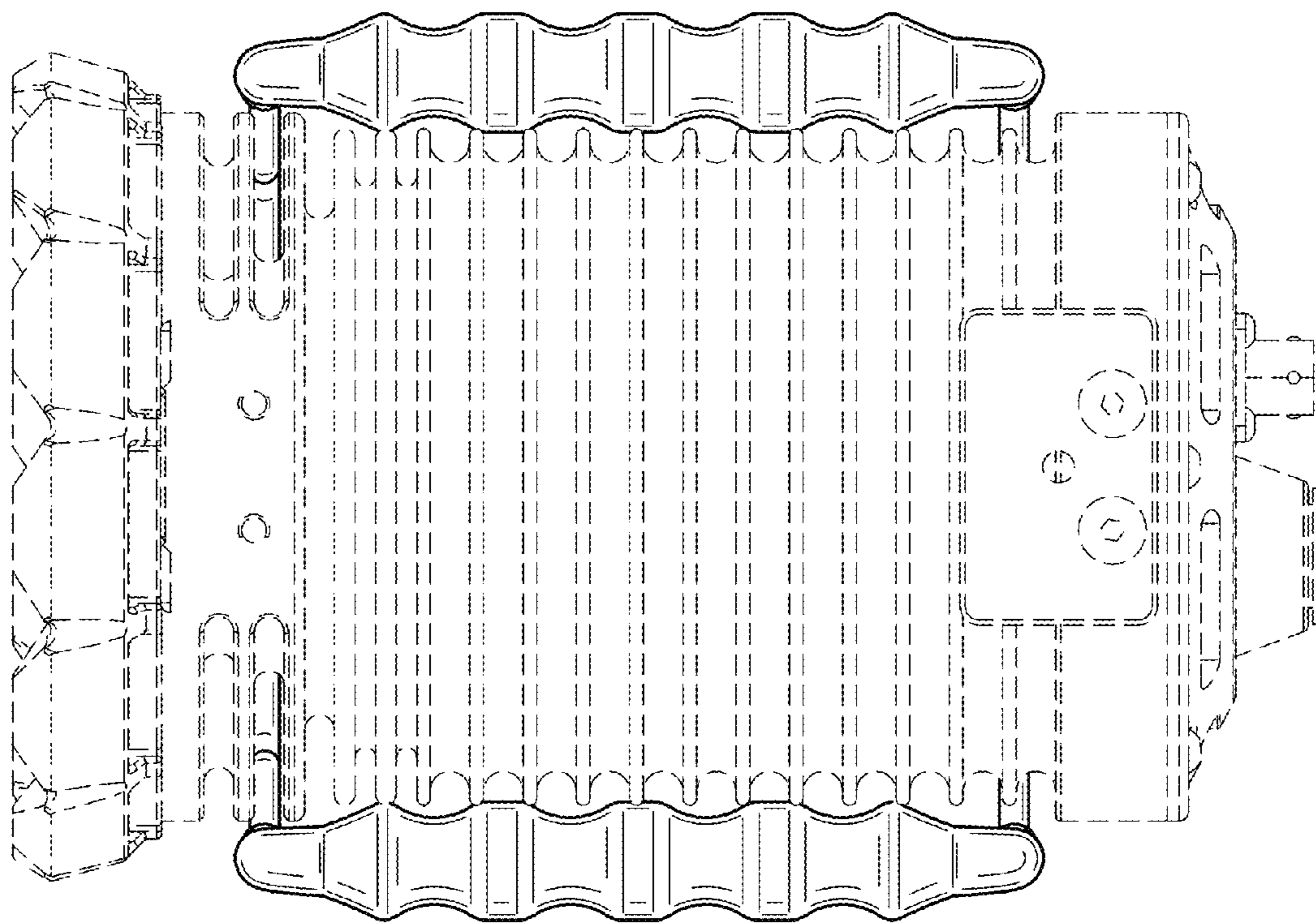


FIG. 5

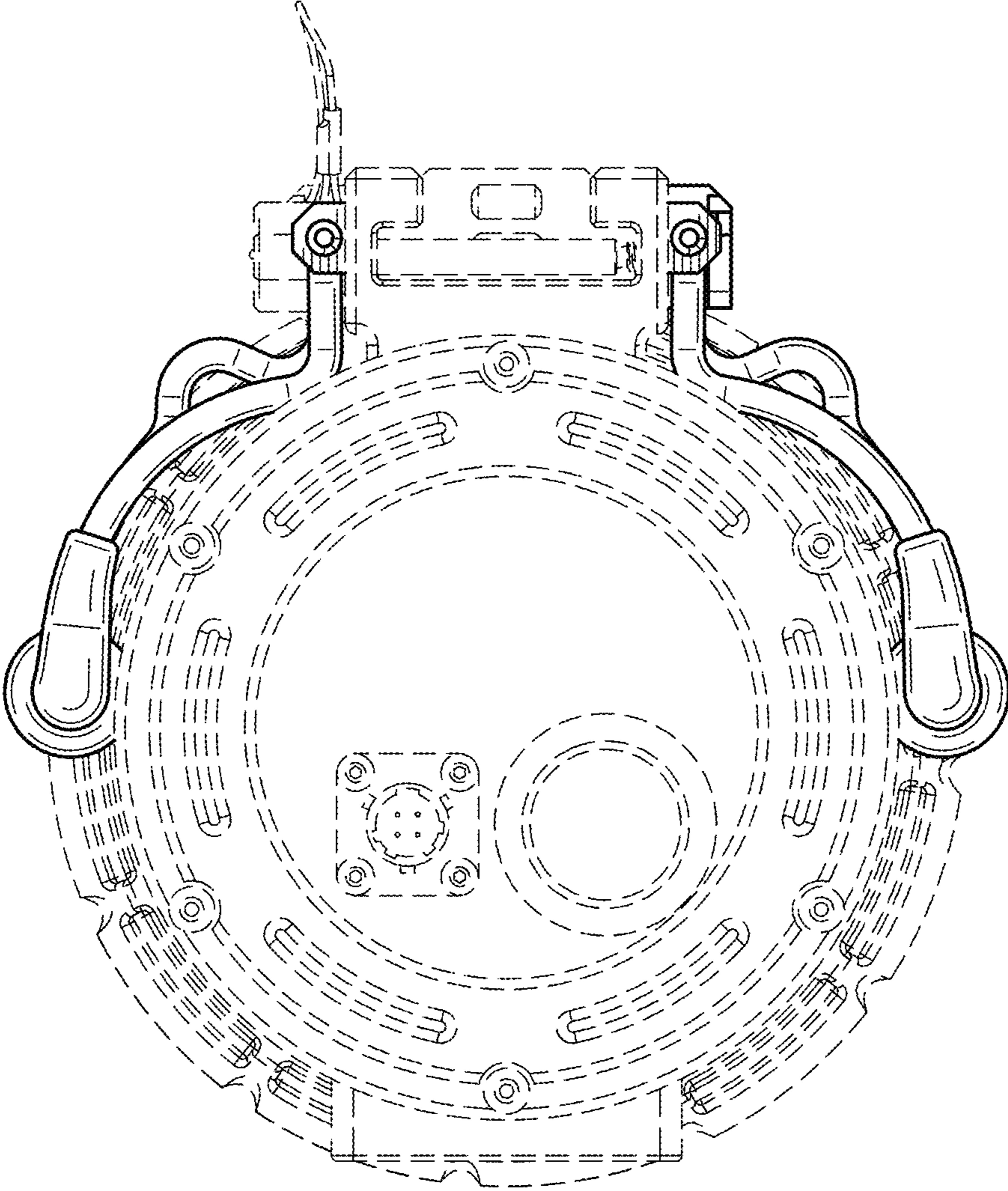


FIG. 6

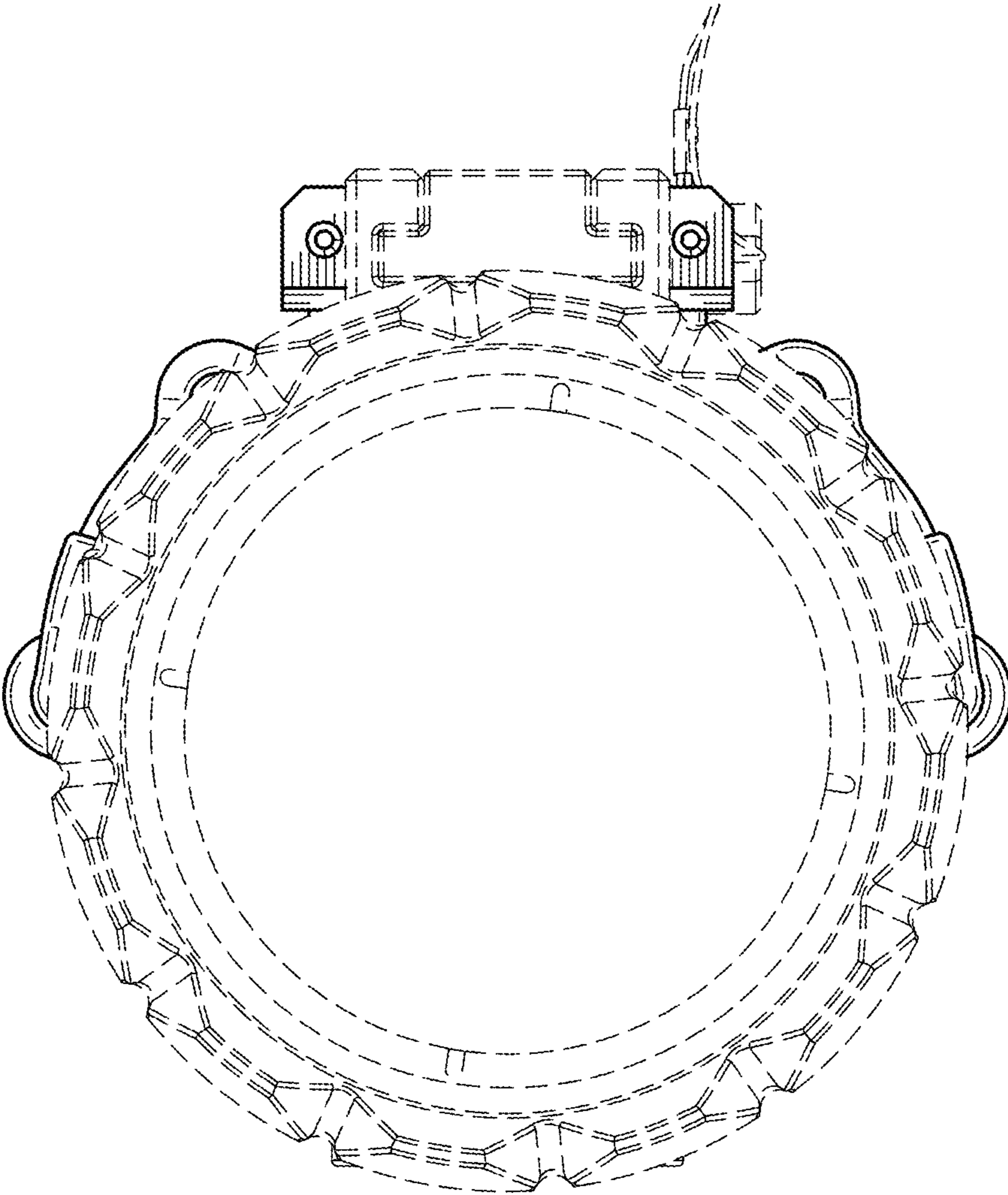


FIG. 7

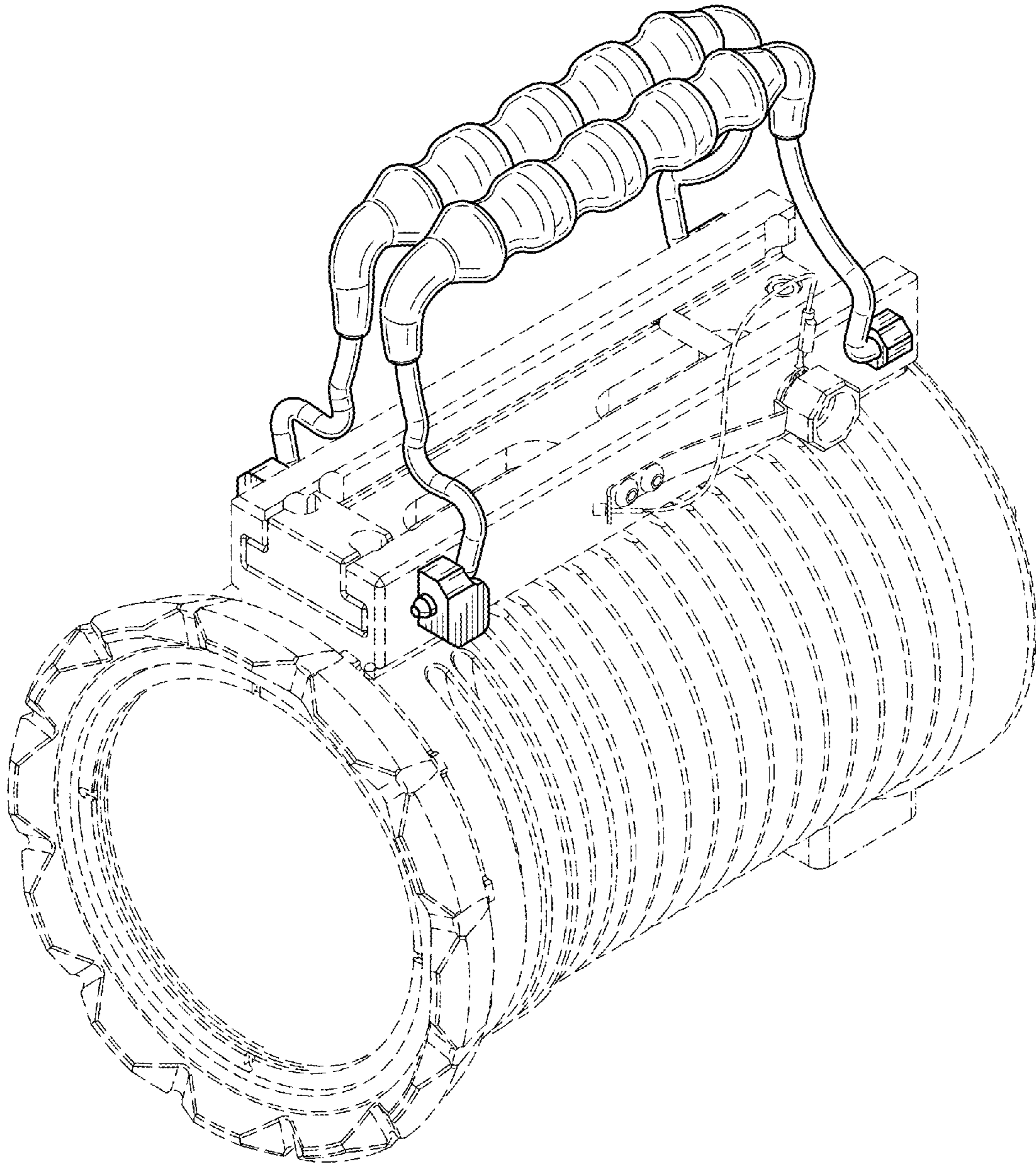


FIG. 8

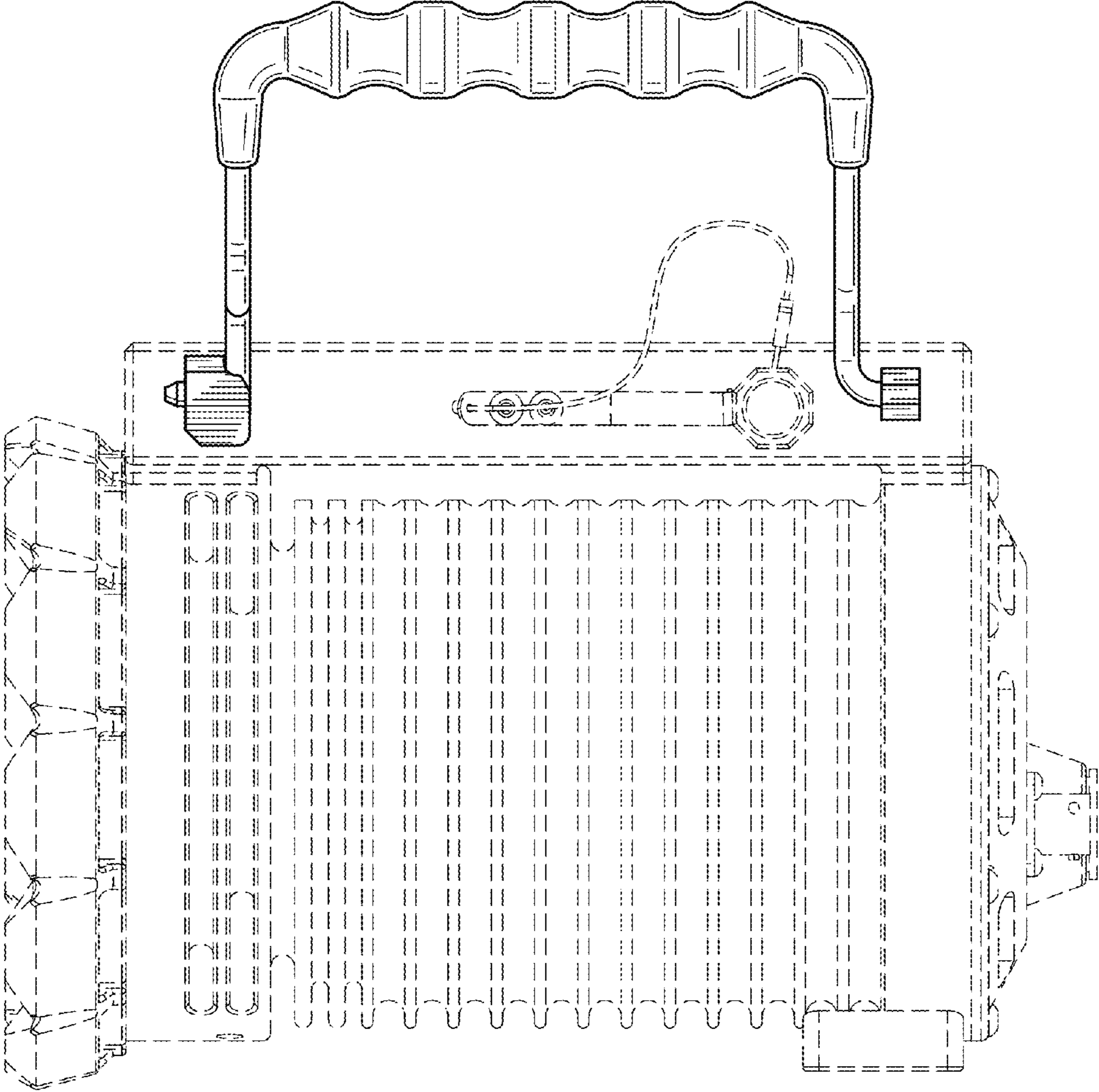


FIG. 9

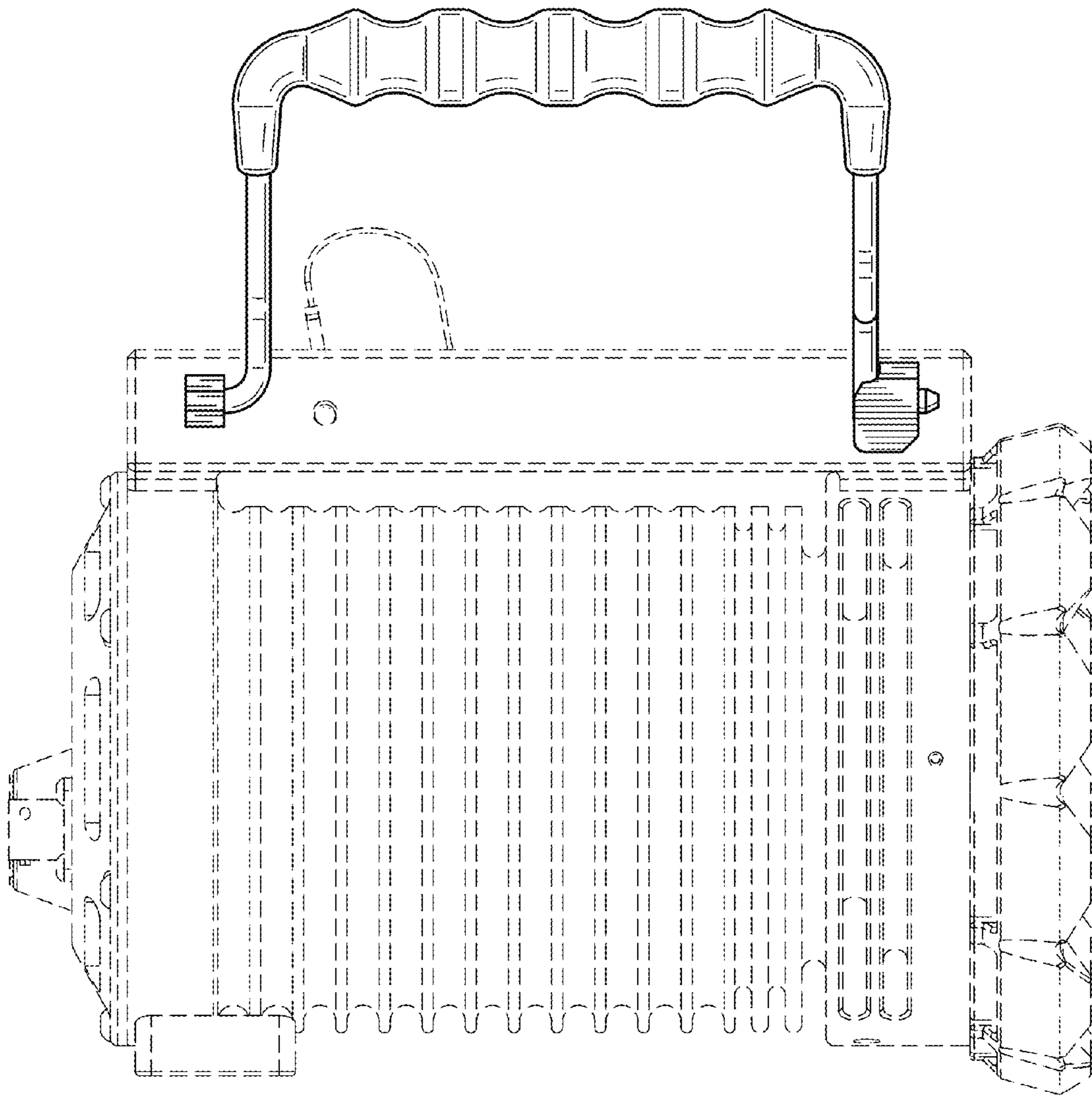


FIG. 10

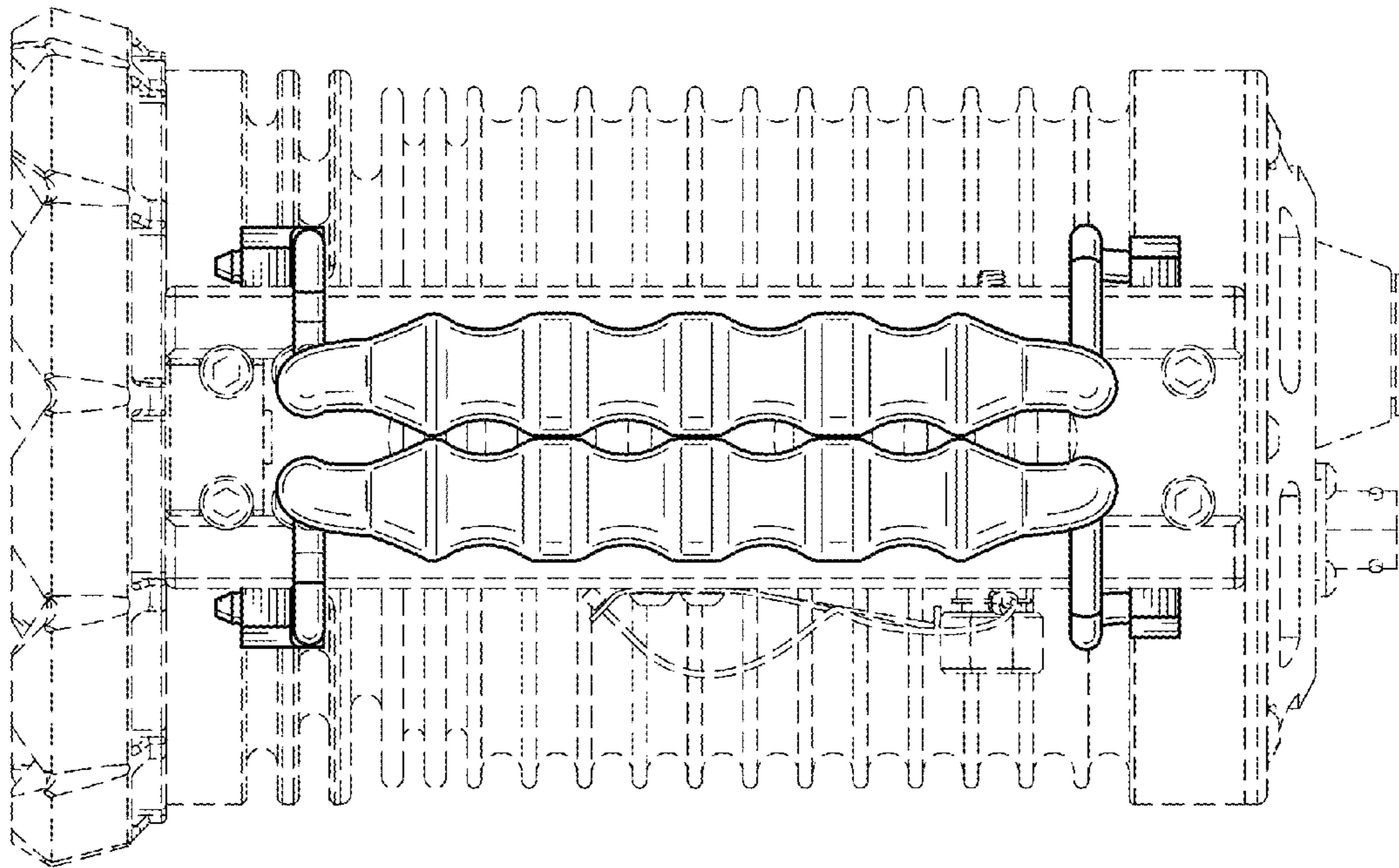


FIG. 11

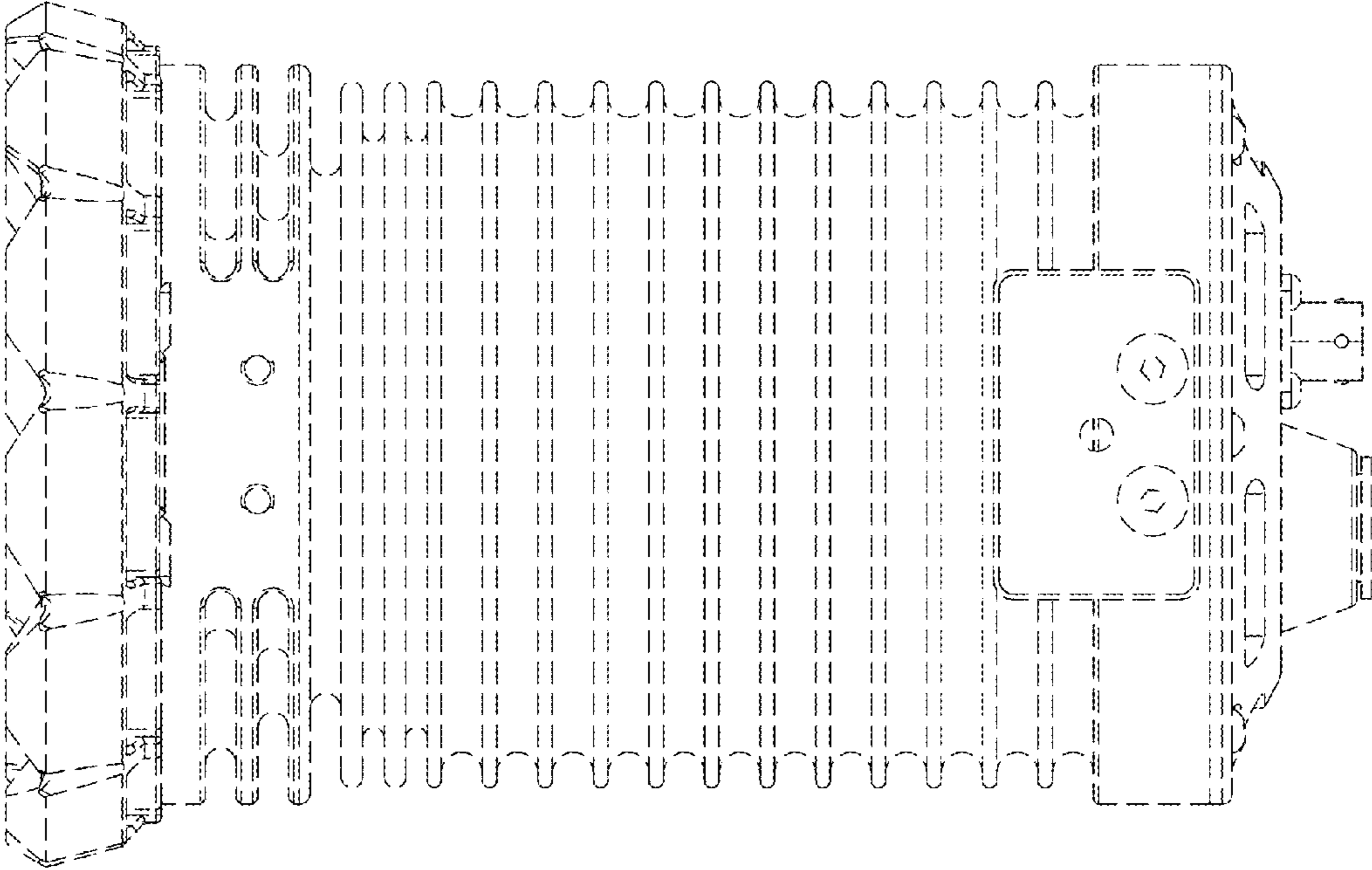


FIG. 12

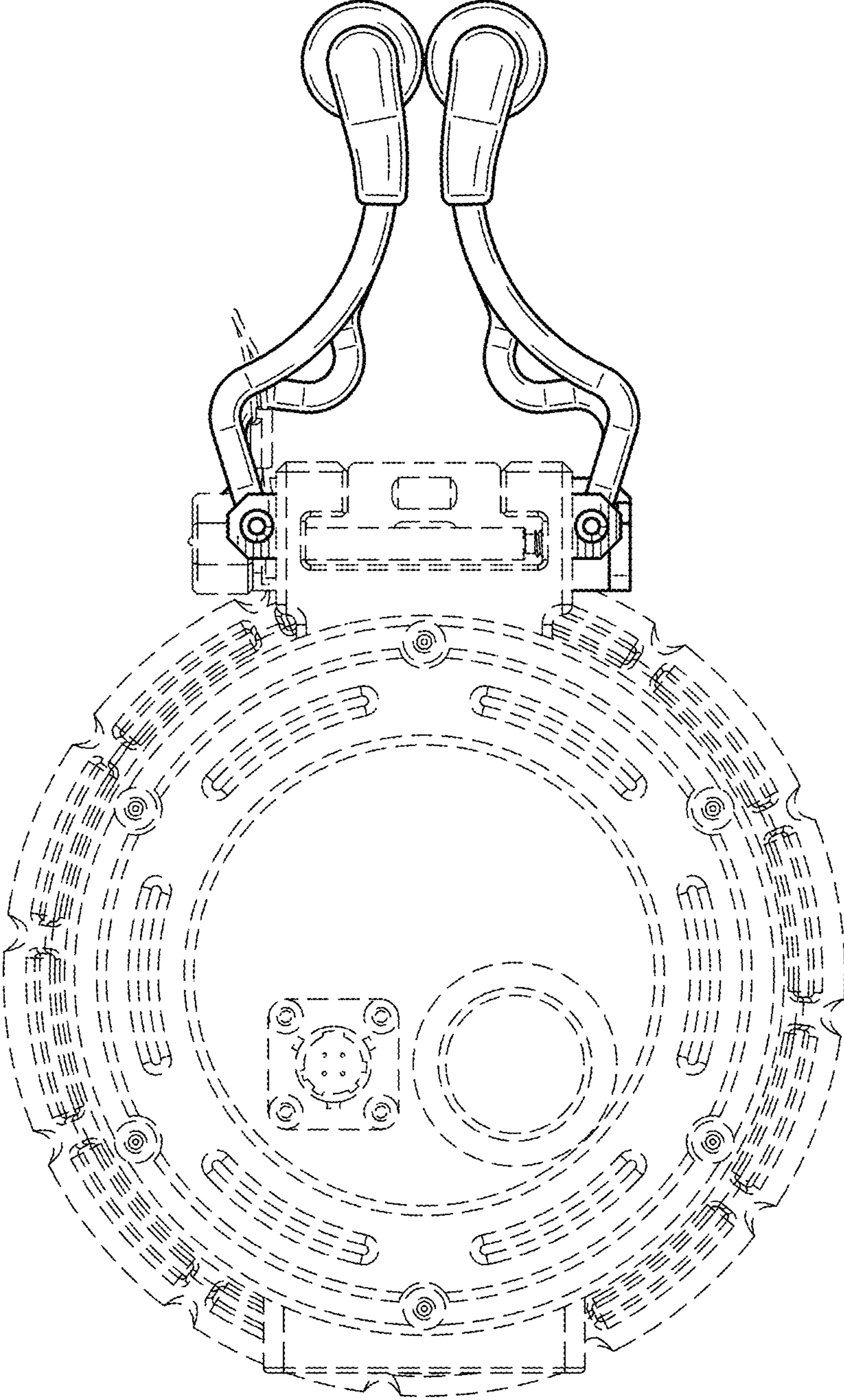


FIG. 13

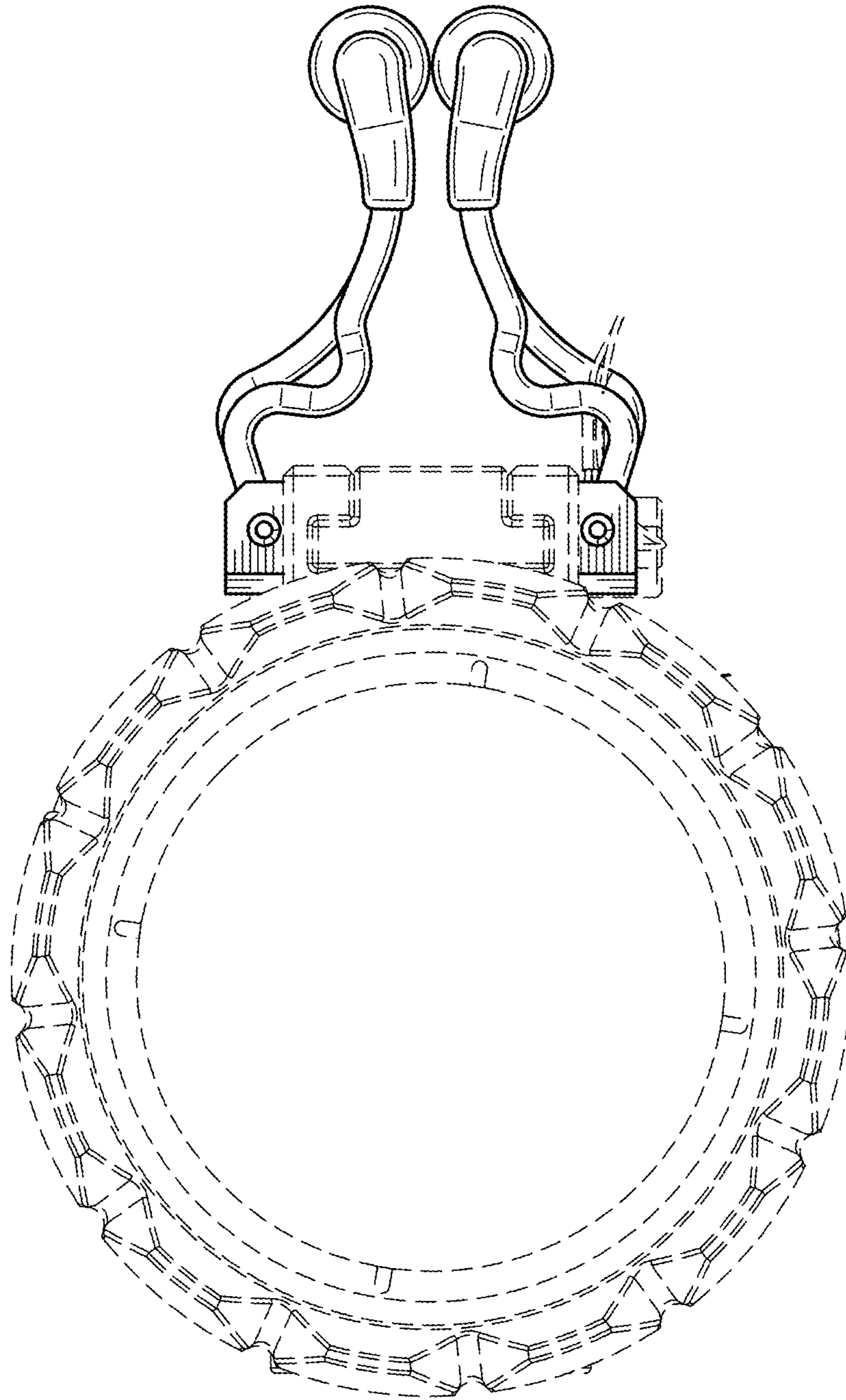


FIG. 14