

US00D752794S

(12) **United States Design Patent**
Feustel et al.

(10) **Patent No.:** **US D752,794 S**
(45) **Date of Patent:** **** Mar. 29, 2016**

(54) **FLASHLIGHT**

FOREIGN PATENT DOCUMENTS

(71) Applicant: **LED Lenser Corp. Ltd.**, Guangdong Province (CN)

AU 344891 S 4/2012
EM 002025270-0001 4/2012

(Continued)

(72) Inventors: **Stefan Feustel**, Berlin (DE); **Andre Kunzendorf**, Wuppertal (DE)

OTHER PUBLICATIONS

(73) Assignee: **LED Lenser Corp. Ltd.**, Yangjiang, Guangdong Province (CN)

Office Action for Australian Application No. 351557 dated Apr. 1, 2014, 2 pages.

(Continued)

(**) Term: **14 Years**

Primary Examiner — Ian Simmons
Assistant Examiner — Carissa C Fitts

(21) Appl. No.: **29/460,098**

(74) *Attorney, Agent, or Firm* — Alston & Bird LLP

(22) Filed: **Jul. 8, 2013**

(57) **CLAIM**

The ornamental design for a flashlight, as shown and described.

(30) **Foreign Application Priority Data**

DESCRIPTION

Jan. 10, 2013 (CN) 2013 3 0006828

(51) **LOC (10) Cl.** **26-02**

(52) **U.S. Cl.**
USPC **D26/49**

(58) **Field of Classification Search**
USPC D26/37, 42, 45, 49, 38, 113, 40, 41;
362/157, 158, 183, 184, 194–196,
362/200–208, 253

CPC F21V 33/00; F21V 14/025; F21V 21/406;
F21Y 2101/102; F21L 17/00; F21L 13/08

See application file for complete search history.

(56) **References Cited**

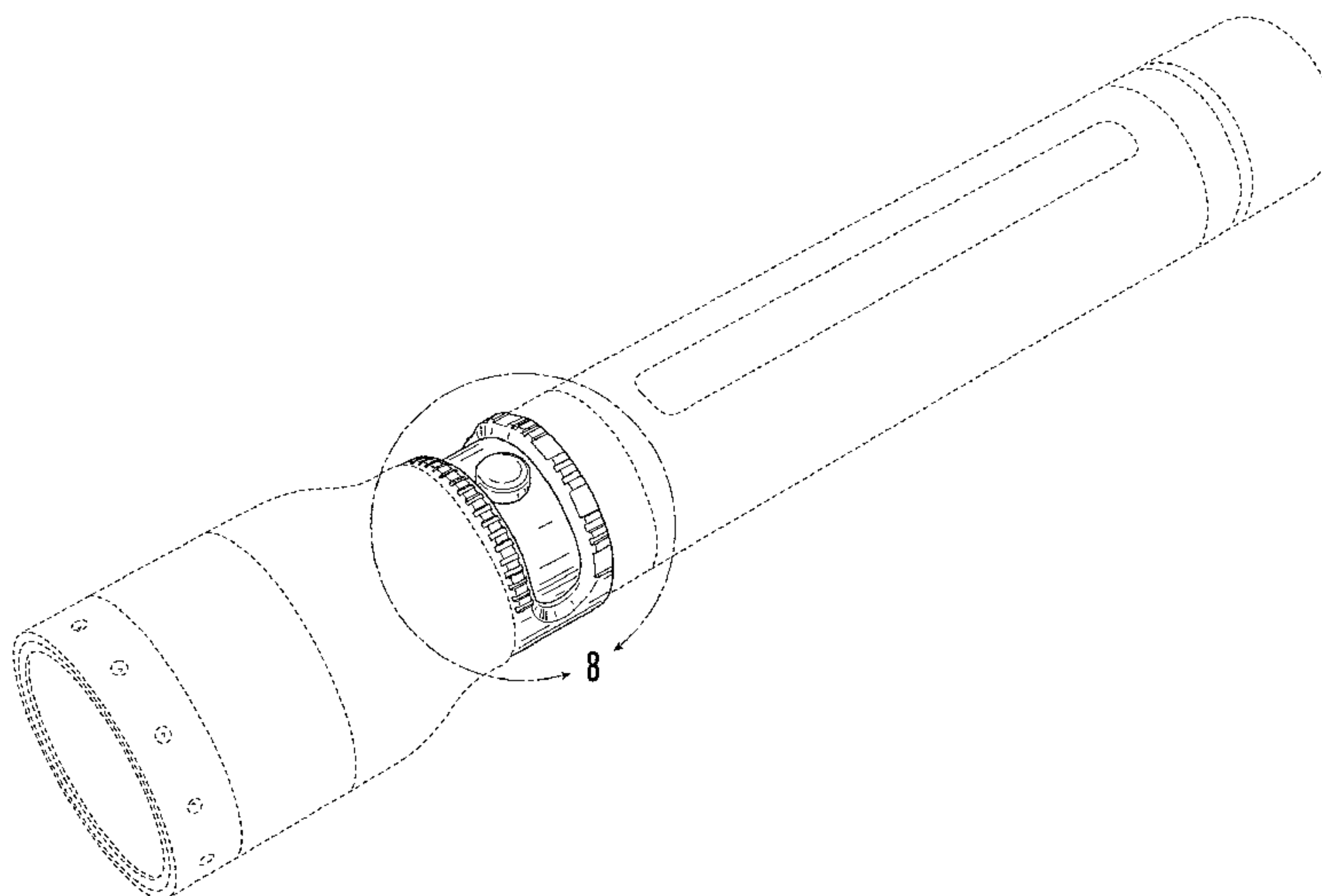
U.S. PATENT DOCUMENTS

D395,722 S * 6/1998 Howard et al. D26/49
D565,769 S * 4/2008 Shiu D26/49
D611,115 S * 3/2010 Pennington D22/117
D648,467 S 11/2011 Nguyen et al.
D659,272 S * 5/2012 Nguyen et al. D26/49

(Continued)

FIG. 1 is a perspective view of a flashlight according to my new design;
FIG. 2 is a right side elevation view thereof;
FIG. 3 is a left side view thereof;
FIG. 4 is a top side elevation view thereof;
FIG. 5 is a bottom pan elevation view thereof;
FIG. 6 is a front elevation view thereof;
FIG. 7 is a back elevation view thereof;
FIG. 8 is an enlarged detail view of detail circle 8 of FIG. 1;
FIG. 9 is an enlarged detail view of the detail circle of FIG. 2;
FIG. 10 is an enlarged detail view of the detail circle of FIG. 3;
FIG. 11 is an enlarged detail view of the detail circle of FIG. 4;
FIG. 12 is an enlarged detail view of the detail circle of FIG. 5; and,
FIG. 13 is an enlarged detail view of FIG. 7.
The broken line showing represents unclaimed portions of the article and forms no part of the claimed design.

1 Claim, 8 Drawing Sheets



(56)

References Cited

OTHER PUBLICATIONS

U.S. PATENT DOCUMENTS

D659,869 S 5/2012 Prieto
D660,488 S 5/2012 Ye
D684,716 S * 6/2013 Baker et al. D26/49
D699,381 S * 2/2014 Stewart D26/49
D709,234 S * 7/2014 Inskeep D26/49
D716,984 S * 11/2014 Inskeep D26/49

FOREIGN PATENT DOCUMENTS

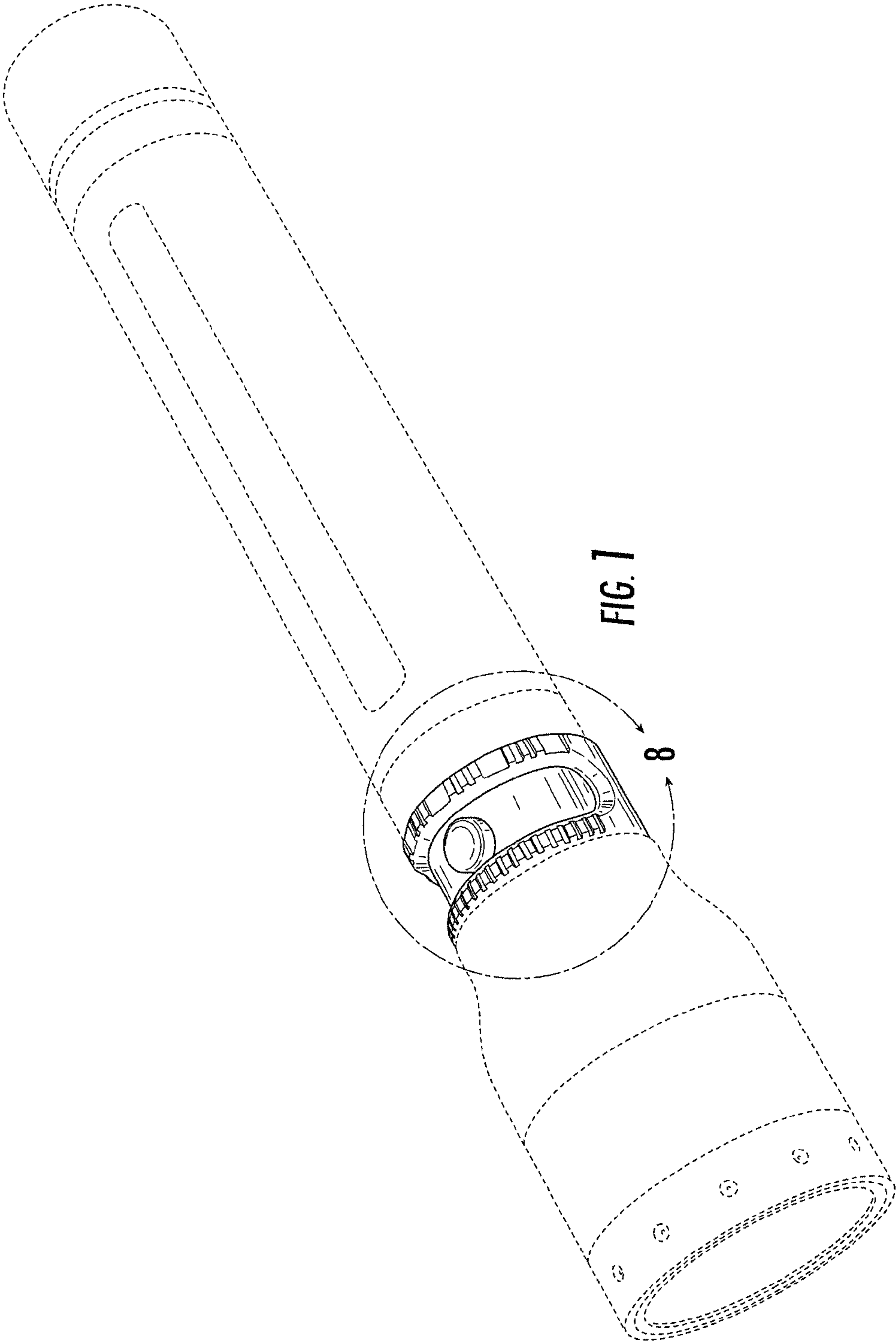
JP 1475047 S 7/2013
RU 74331 S 3/2010
RU 75608 S 7/2010

<http://www.flashlightuniversity.com/led-lenser-m17r-and-p17r-flashlight/> (published Feb. 8, 2013), 1 page.

Office Action from related Japanese Design Patent Appl. No. 2013-015574, issued Jan. 22, 2014.

Office Action from related Russian Design Patent Appl. No. 2013502667, issued Dec. 10, 2013.

* cited by examiner



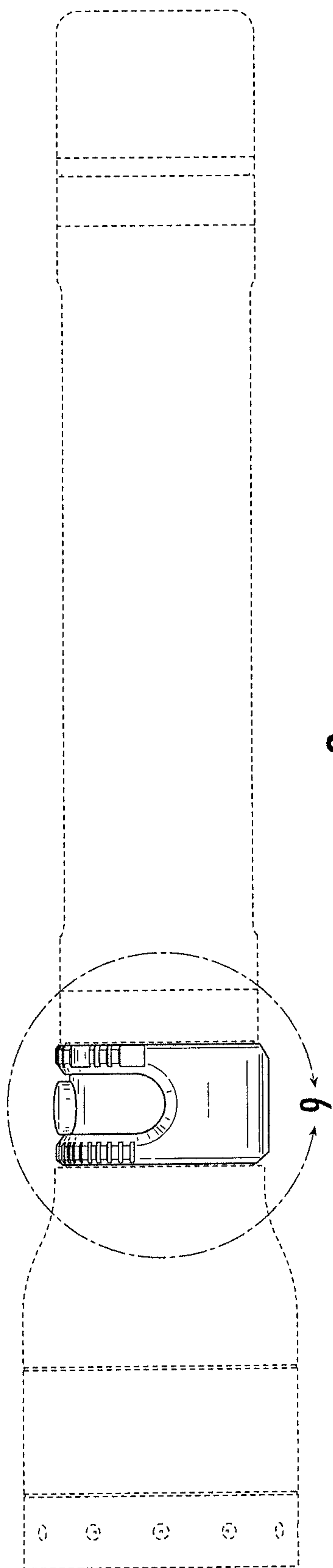


FIG. 2

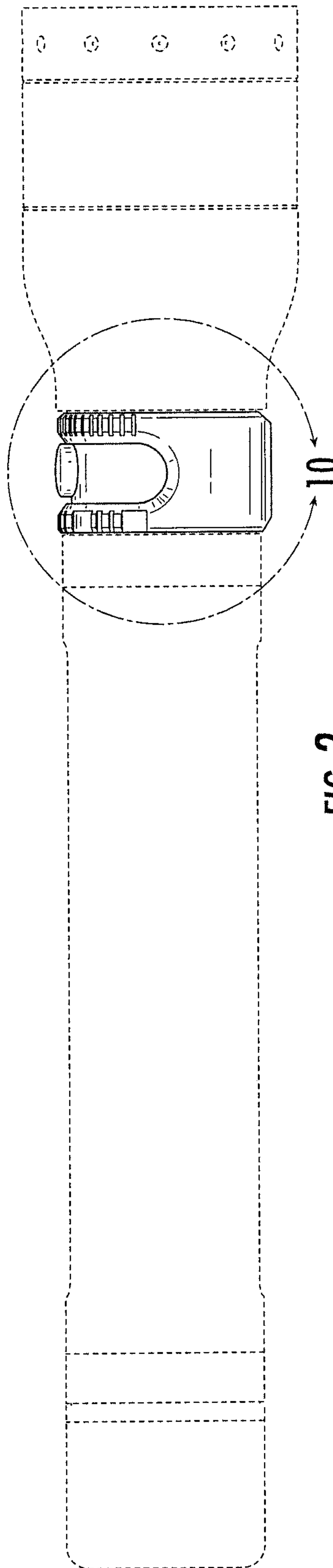


FIG. 3

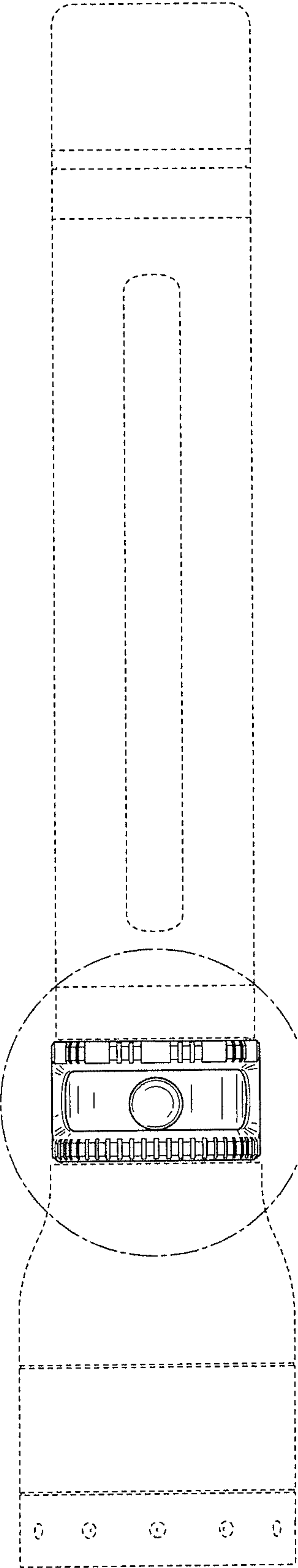


FIG. 4

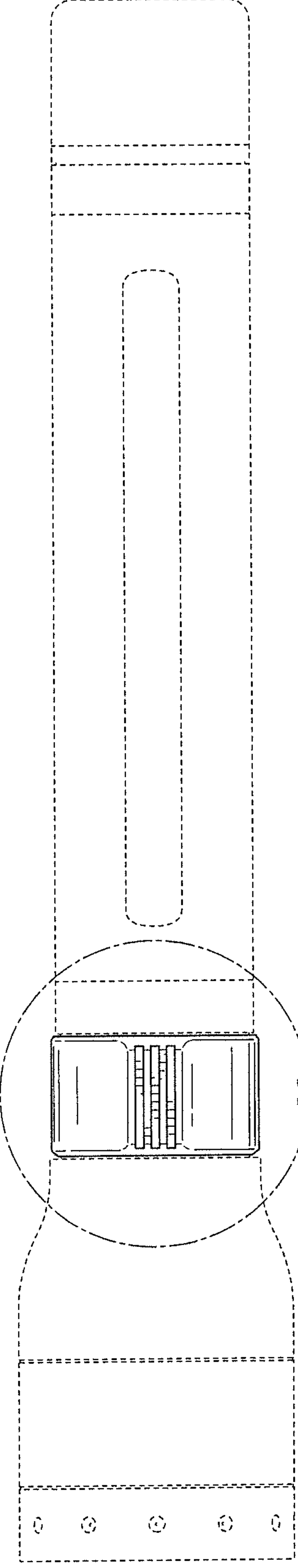


FIG. 5

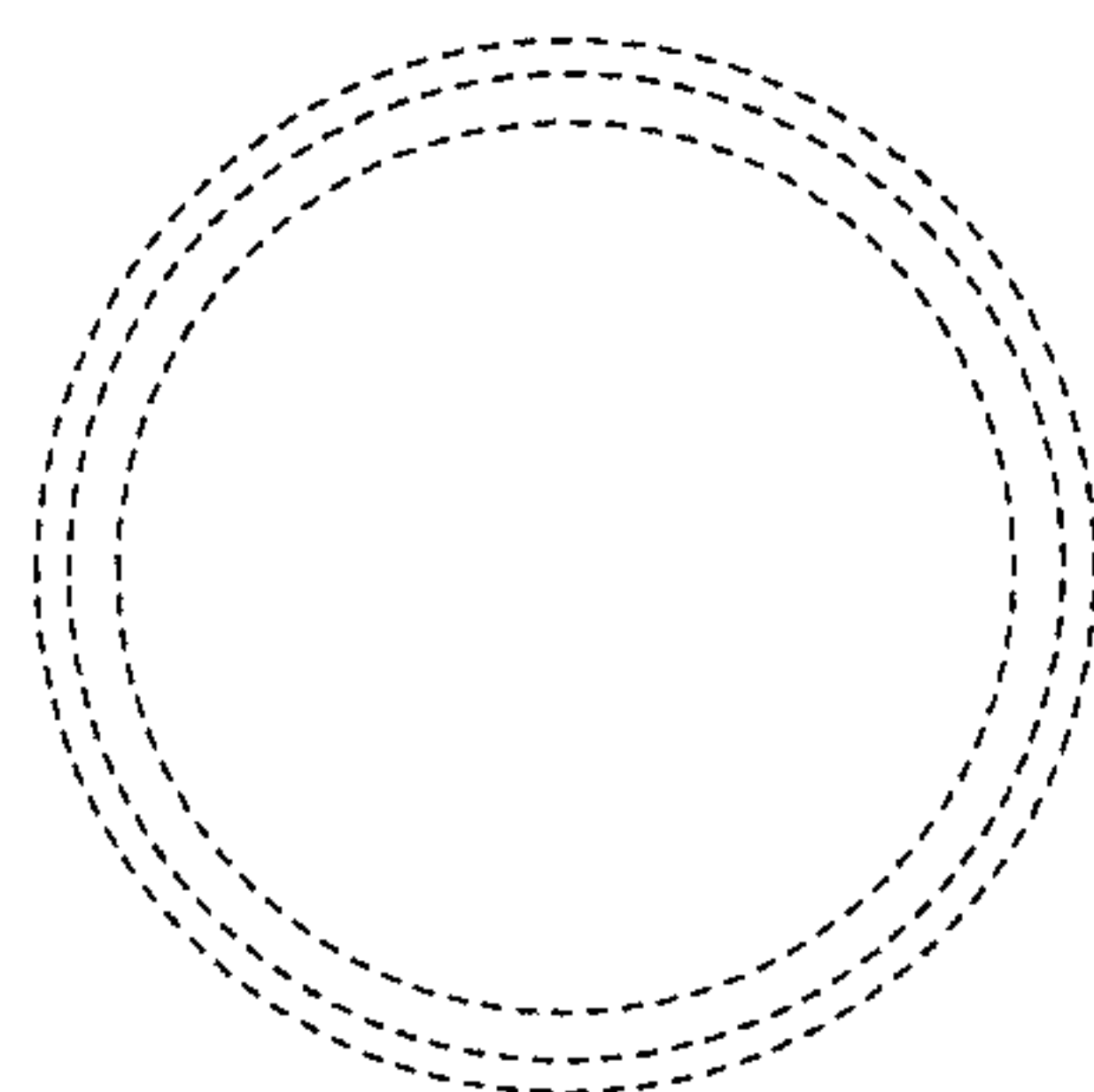


FIG. 6

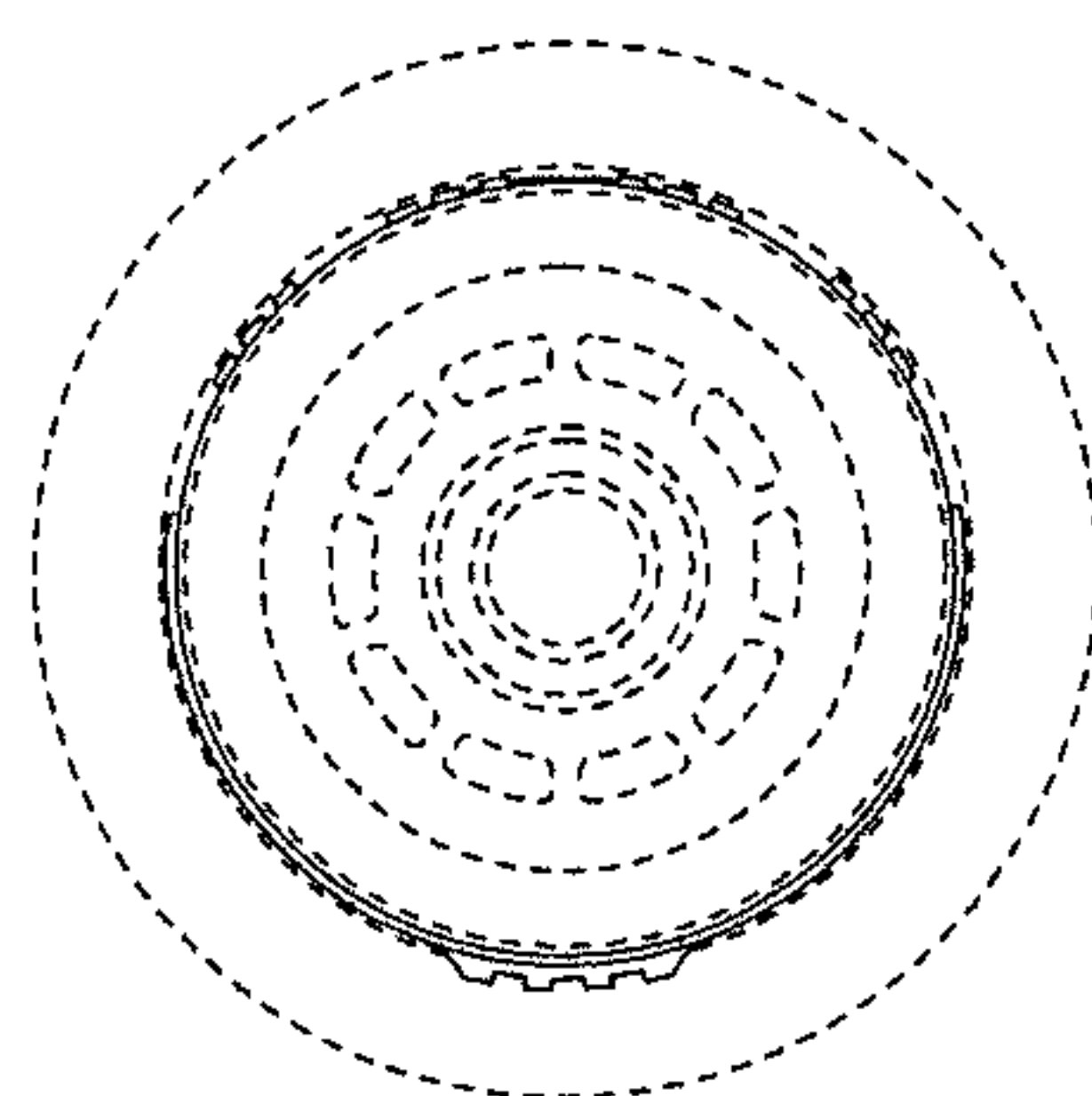


FIG. 7

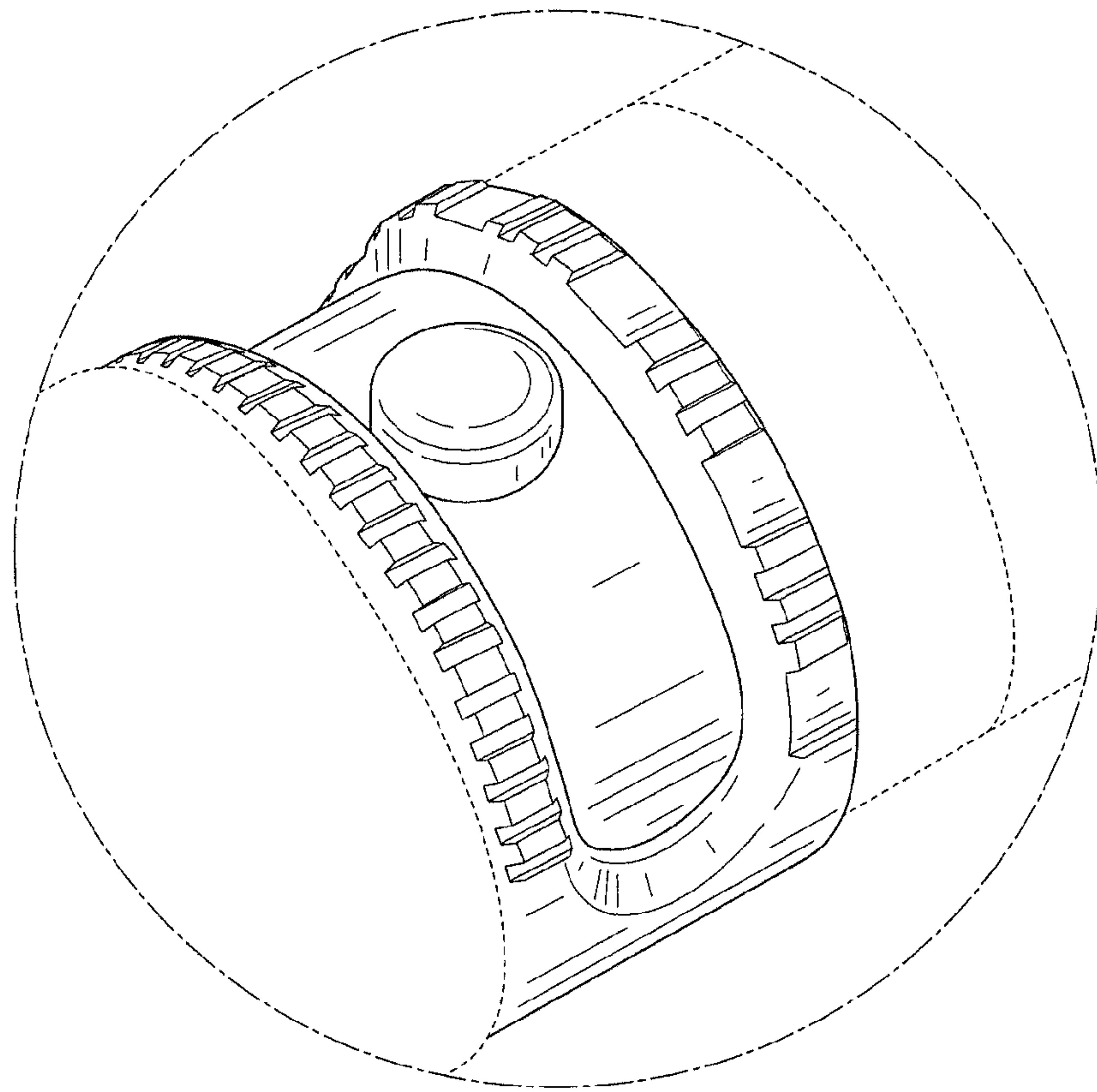


FIG. 8

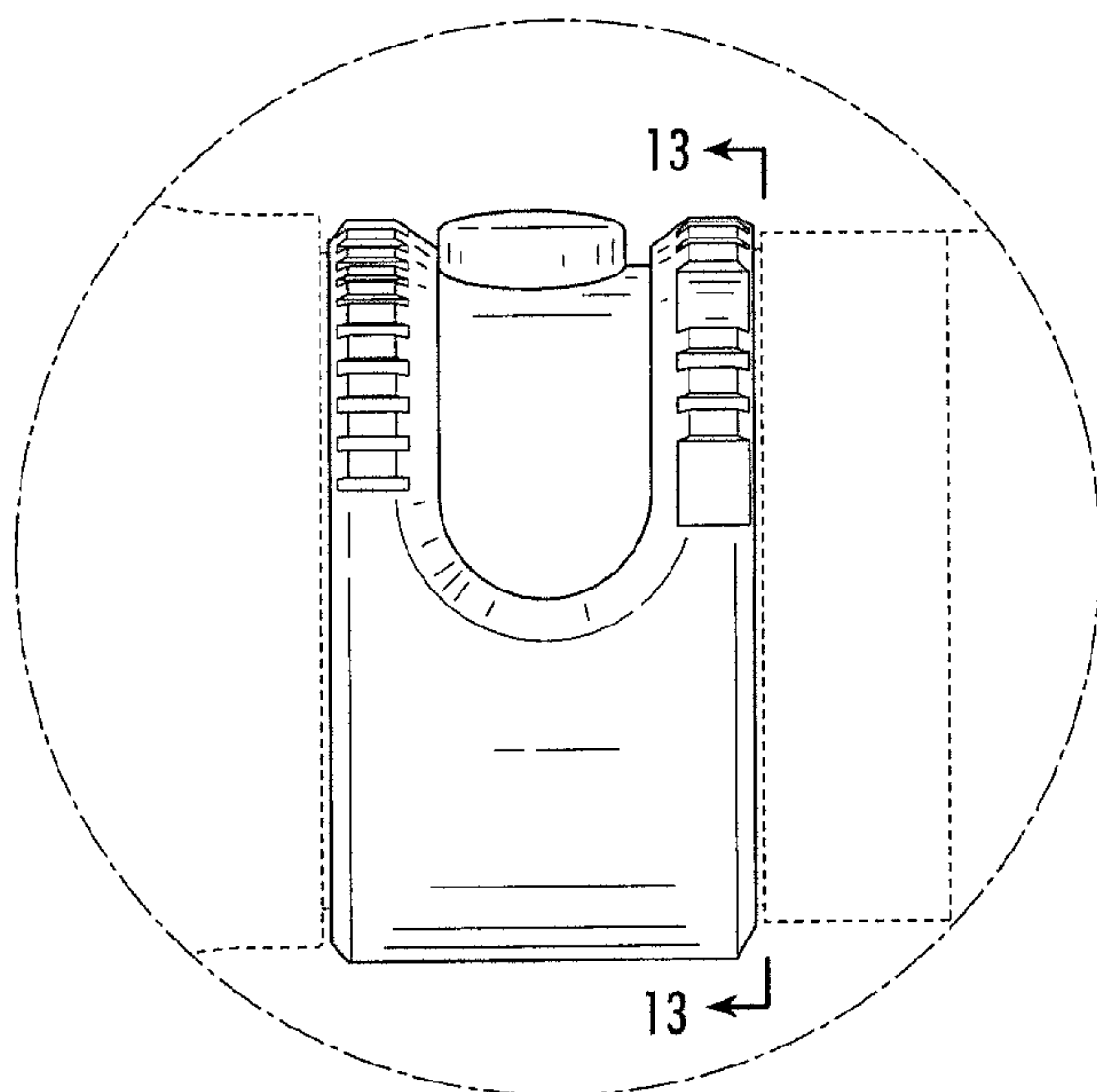


FIG. 9

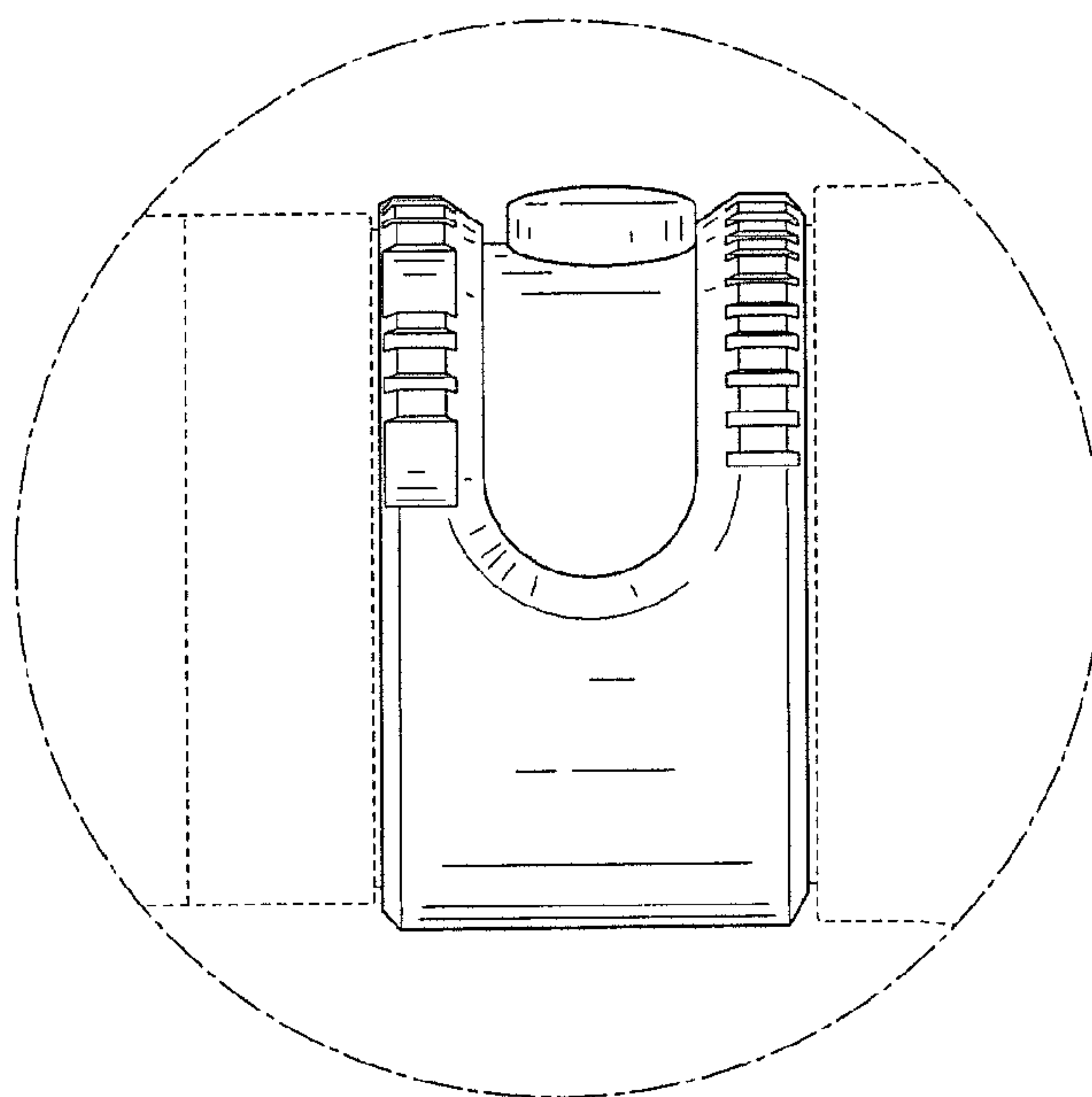


FIG. 10

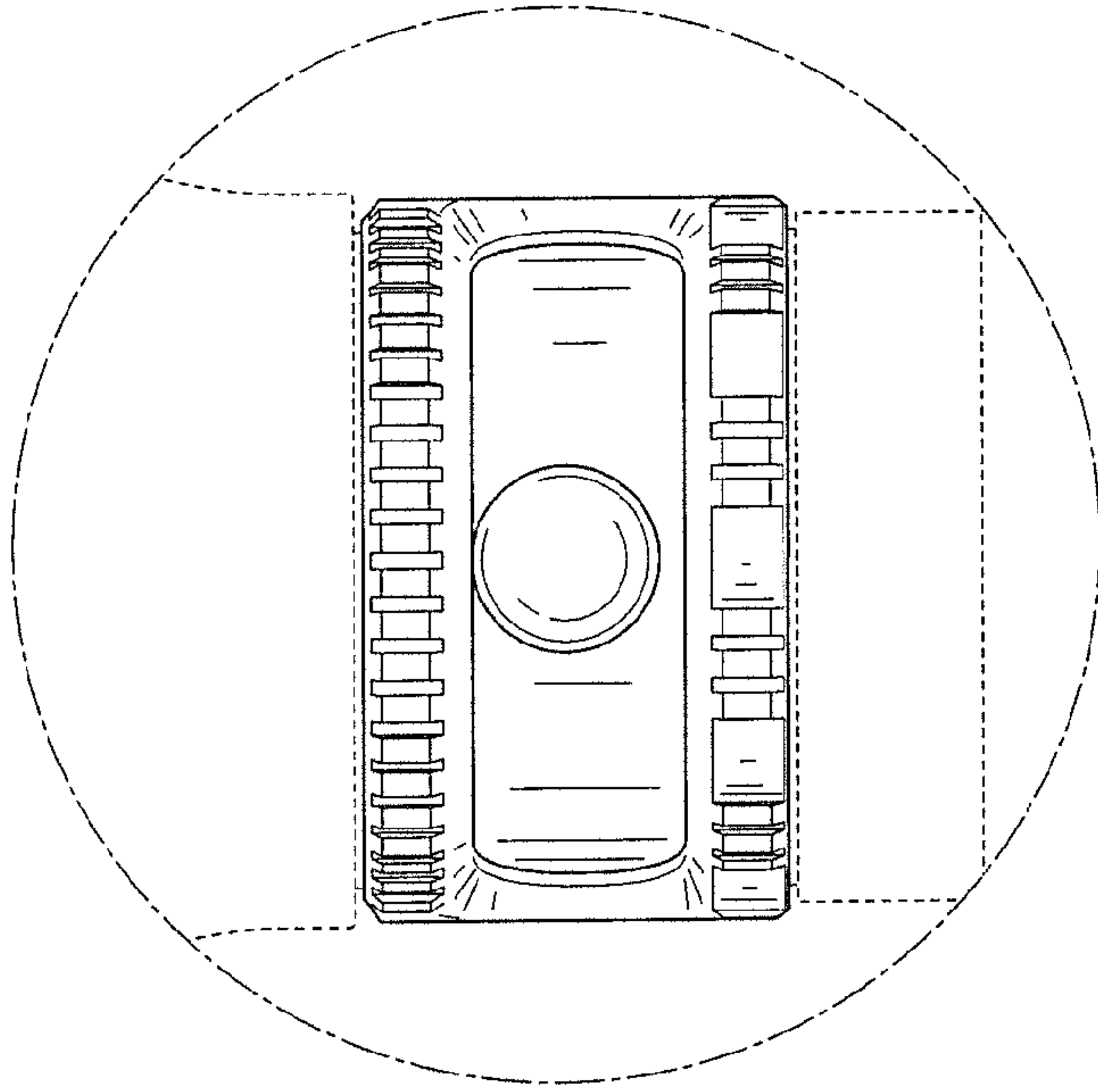


FIG. 11

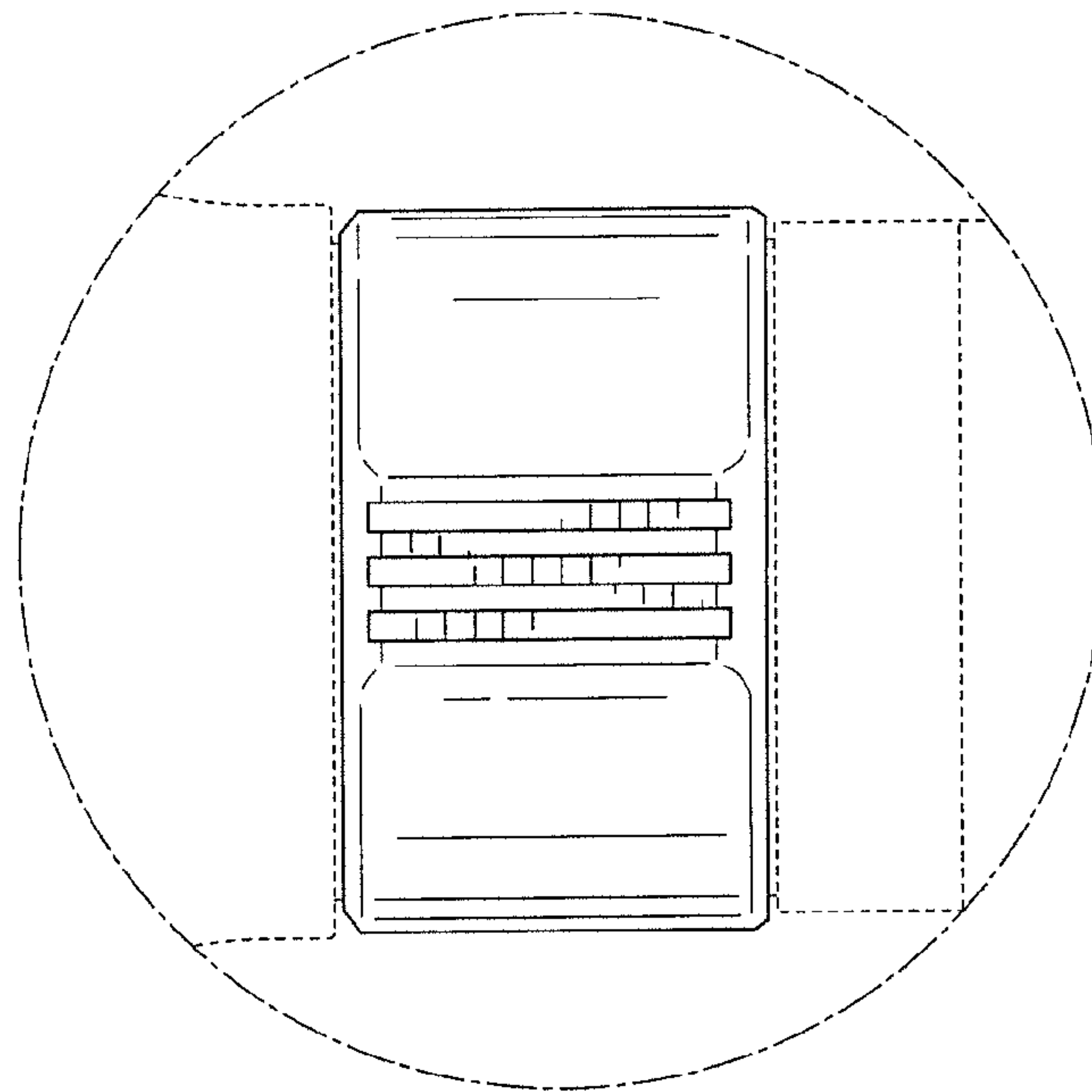


FIG. 12

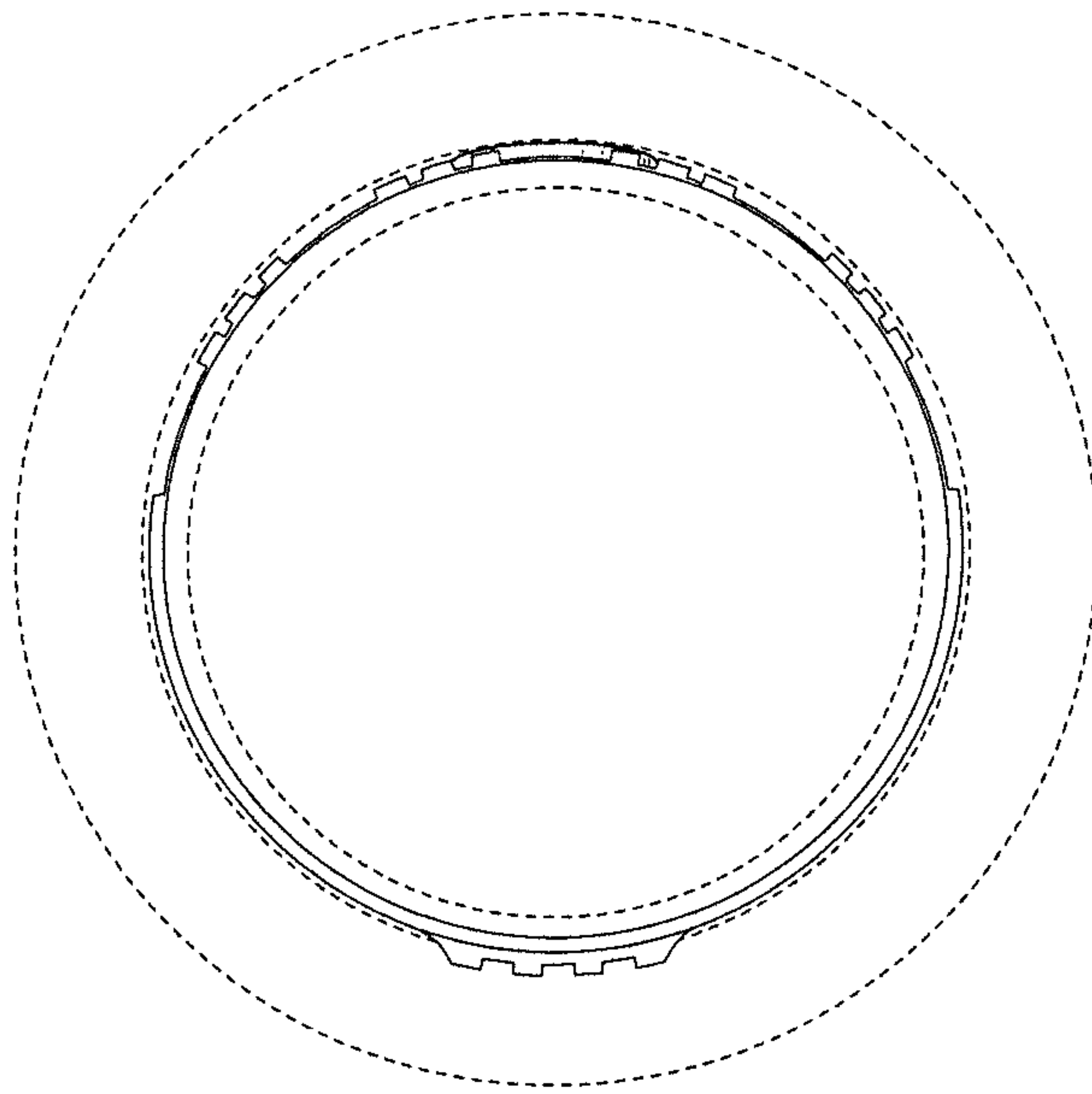


FIG. 13