



US00D752793S

(12) **United States Design Patent**
Ng

(10) **Patent No.:** **US D752,793 S**
(45) **Date of Patent:** **** Mar. 29, 2016**

- (54) **LIGHTING DEVICE**
- (71) Applicant: **Energizer Brands, LLC**, St. Louis, MO (US)
- (72) Inventor: **Michael Ng**, Kowloon (HK)
- (73) Assignee: **ENERGIZER BRANDS, LLC**, St. Louis, MO (US)
- (**) Term: **14 Years**
- (21) Appl. No.: **29/490,840**
- (22) Filed: **May 14, 2014**
- (51) **LOC (10) Cl.** **26-02**
- (52) **U.S. Cl.**
USPC **D26/48; D26/50**
- (58) **Field of Classification Search**
USPC D26/37, 38, 40, 41, 46, 49, 48, 50;
362/157, 158, 183, 184, 194-196,
362/200-208
CPC F21V 33/00; F21V 14/025; F21V 21/406;
F21Y 2101/02; F21L 17/00; F21L 13/08;
F21L 2001/00; F21L 14/02
See application file for complete search history.

D499,827 S * 12/2004 Li D26/48
D616,580 S 5/2010 Bertken
D616,581 S 5/2010 Bertken
D649,274 S 11/2011 Bertken

FOREIGN PATENT DOCUMENTS

CN	3152053	6/2000
CN	3166625	11/2000
CN	3190518	6/2001
CN	3251946	8/2002
CN	3264730	11/2002
CN	3330345	10/2003
CN	2893388 Y	4/2007
CN	300725736	12/2007
CN	300868569	12/2008
CN	300981113	8/2009
CN	301040849	10/2009
CN	301146120	2/2010
CN	301286603	7/2010

(Continued)

Primary Examiner — Ian Simmons
Assistant Examiner — Carissa C Fitts
(74) *Attorney, Agent, or Firm* — McDonald Hopkins LLC

(57) **CLAIM**
I claim the ornamental design for a lighting device, as shown and described.

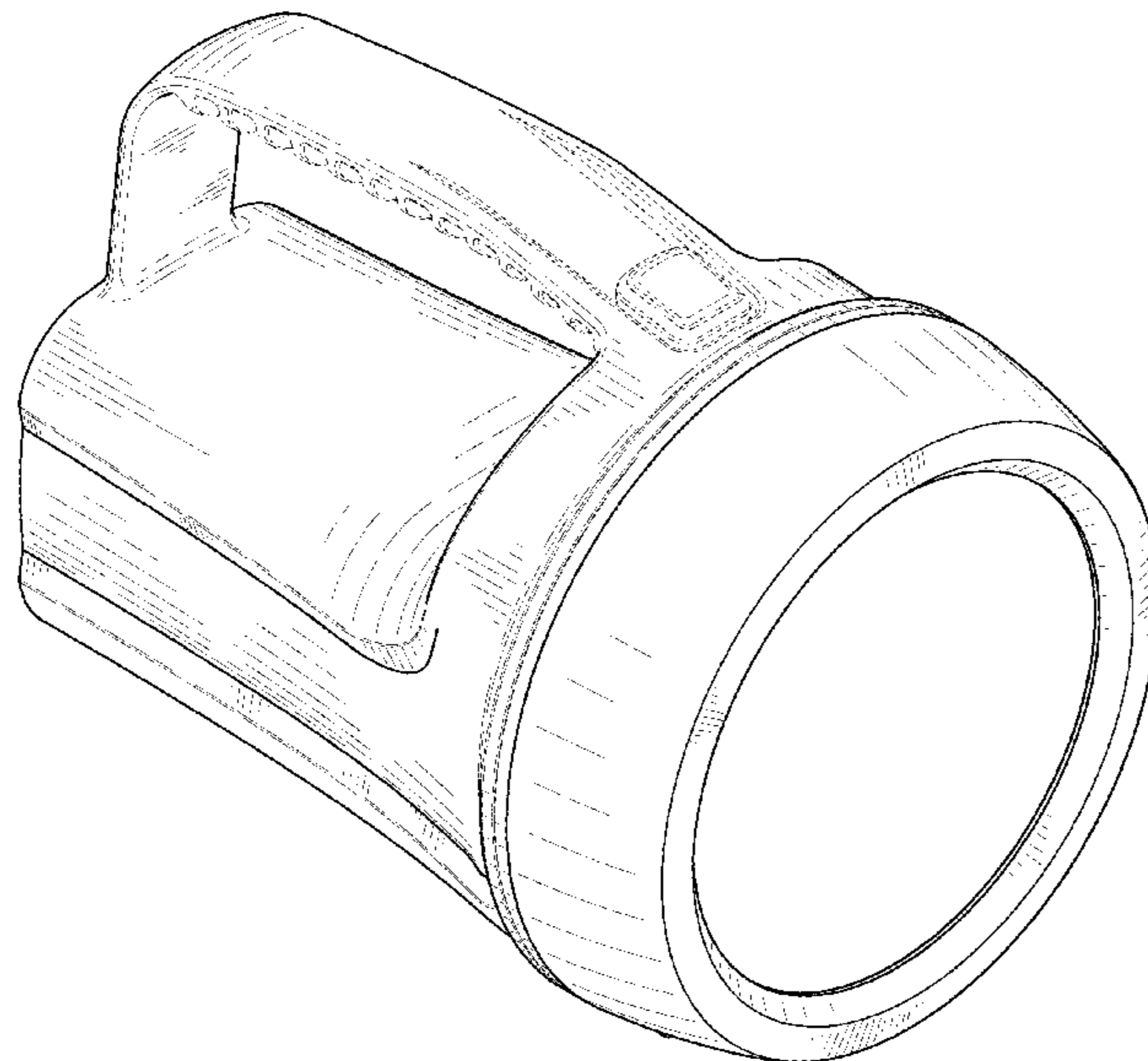
DESCRIPTION

FIG. 1 is a front perspective view of the design;
FIG. 2 is a rear perspective view of the design;
FIG. 3 is a left side view of the design. The right side view of the design is a mirror image of the left side view;
FIG. 4 is a front view of the design;
FIG. 5 is a back view of the design;
FIG. 6 is a top view of the design; and,
FIG. 7 is a bottom view of the design.
The broken line showing represents portions of the article not claimed and forms no part of the claimed design.

1 Claim, 5 Drawing Sheets

(56) **References Cited**
U.S. PATENT DOCUMENTS

D337,644 S *	7/1993	Stearns	D26/48
D357,086 S *	4/1995	Poon	D26/48
D359,814 S *	6/1995	Yuen	D26/48
D372,549 S *	8/1996	Lo	D26/48
D389,594 S *	1/1998	Poon	D26/48
D403,454 S	12/1998	Zelina, Jr. et al.		
D404,154 S *	1/1999	Breit	D26/37
D422,732 S *	4/2000	Kung	D26/48
D445,935 S *	7/2001	Shing	D26/50
D476,104 S *	6/2003	Dalton	D26/48
D489,468 S	5/2004	Lo		



(56)

References Cited

FOREIGN PATENT DOCUMENTS

CN 302498806 7/2013
EM 0002114460001 8/2004

FR 011346001 3/2001
GB 2009654 9/1990
GB 2017426 9/1991
GB 2034912 11/1993
GB 2099499 11/2000

* cited by examiner

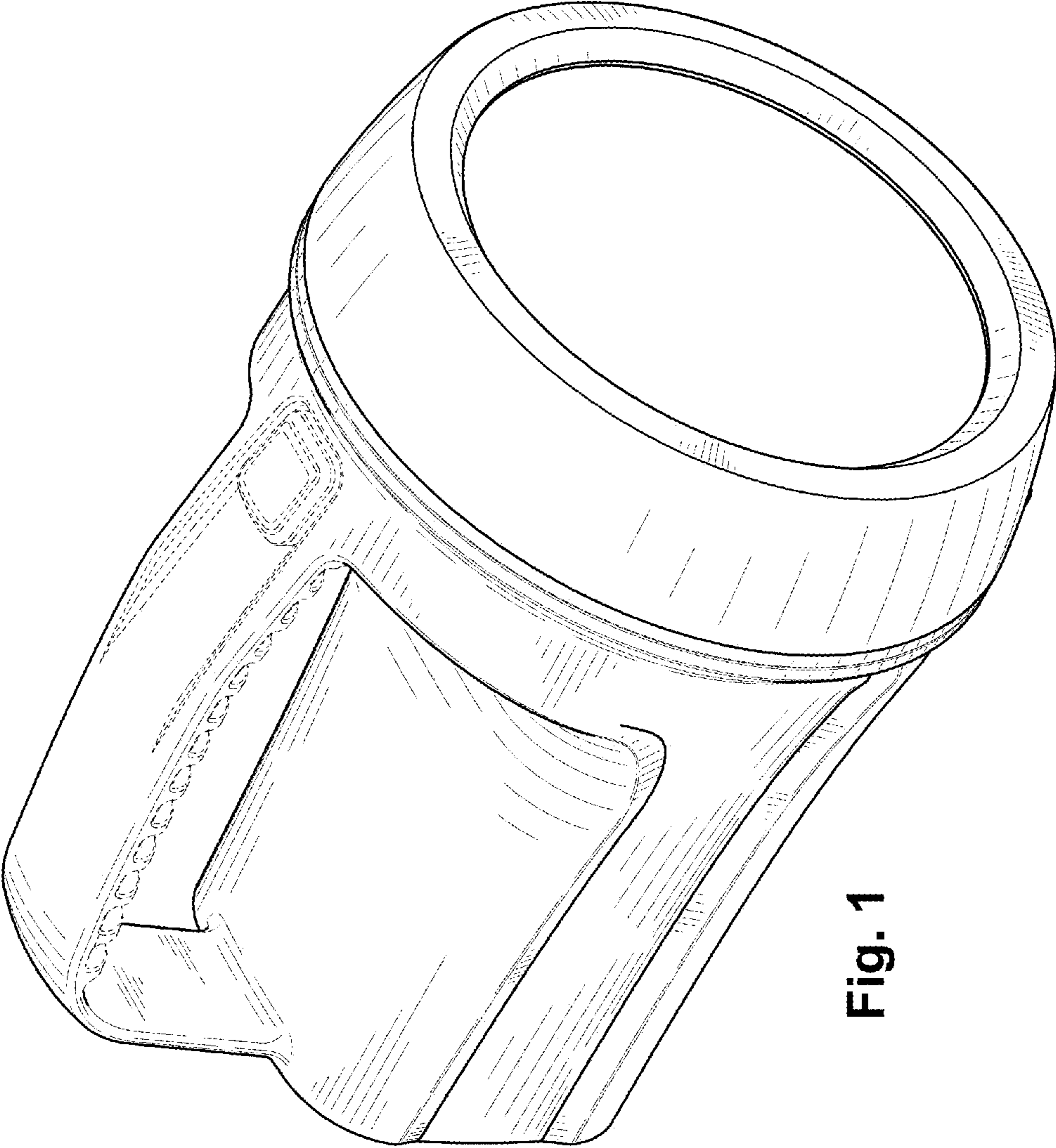


Fig. 1

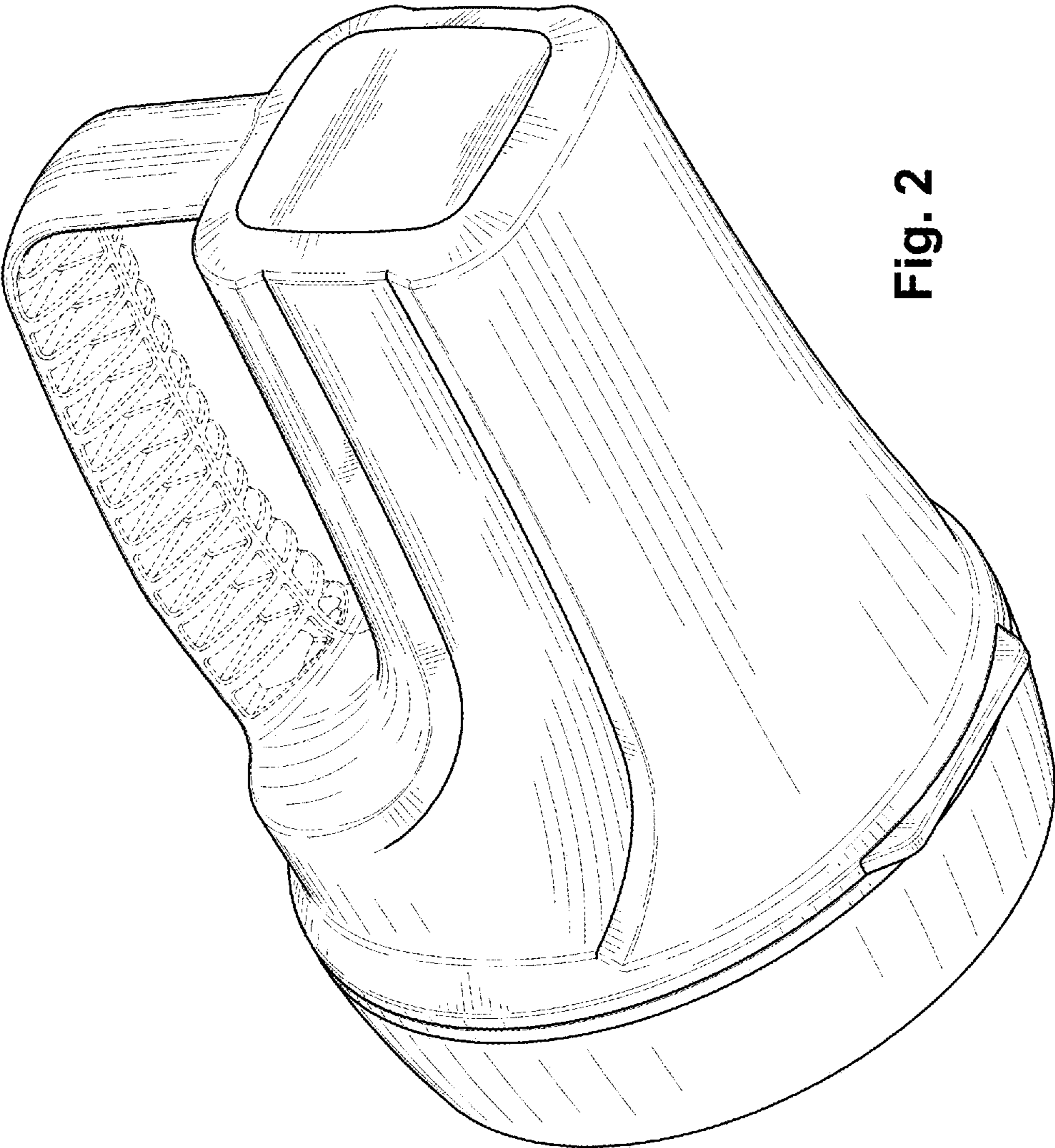


Fig. 2

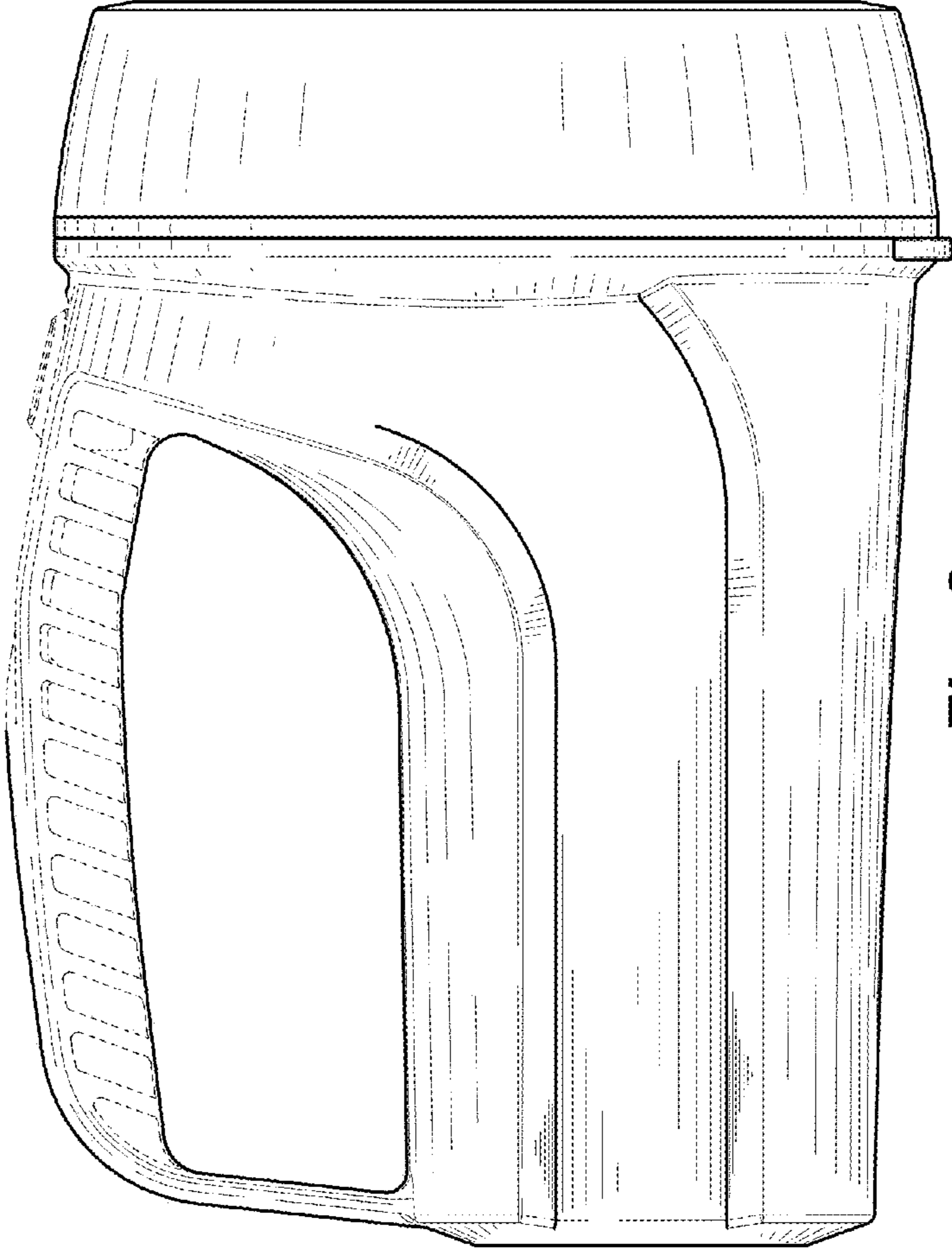


Fig. 3

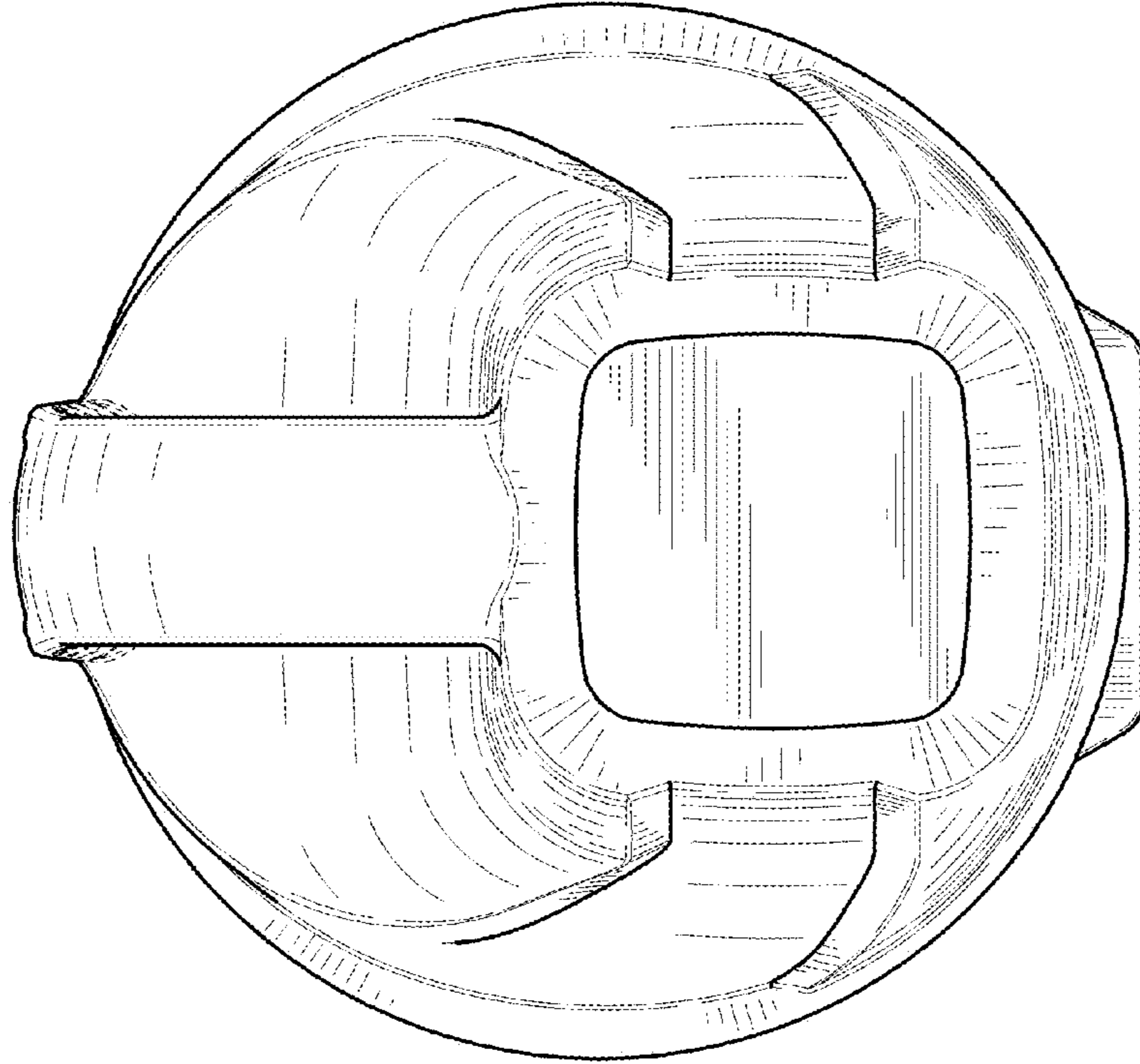


Fig. 5

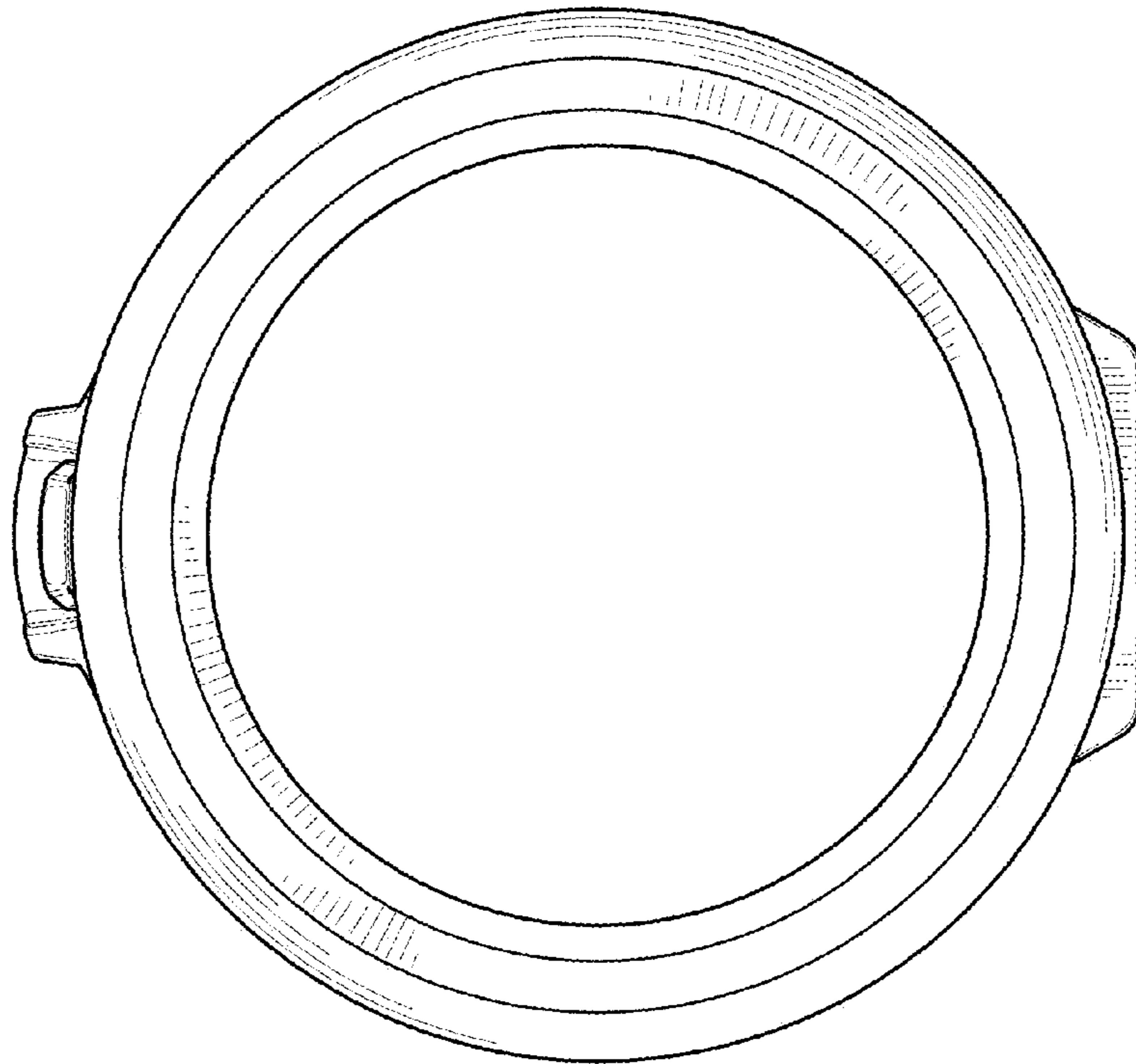


Fig. 4

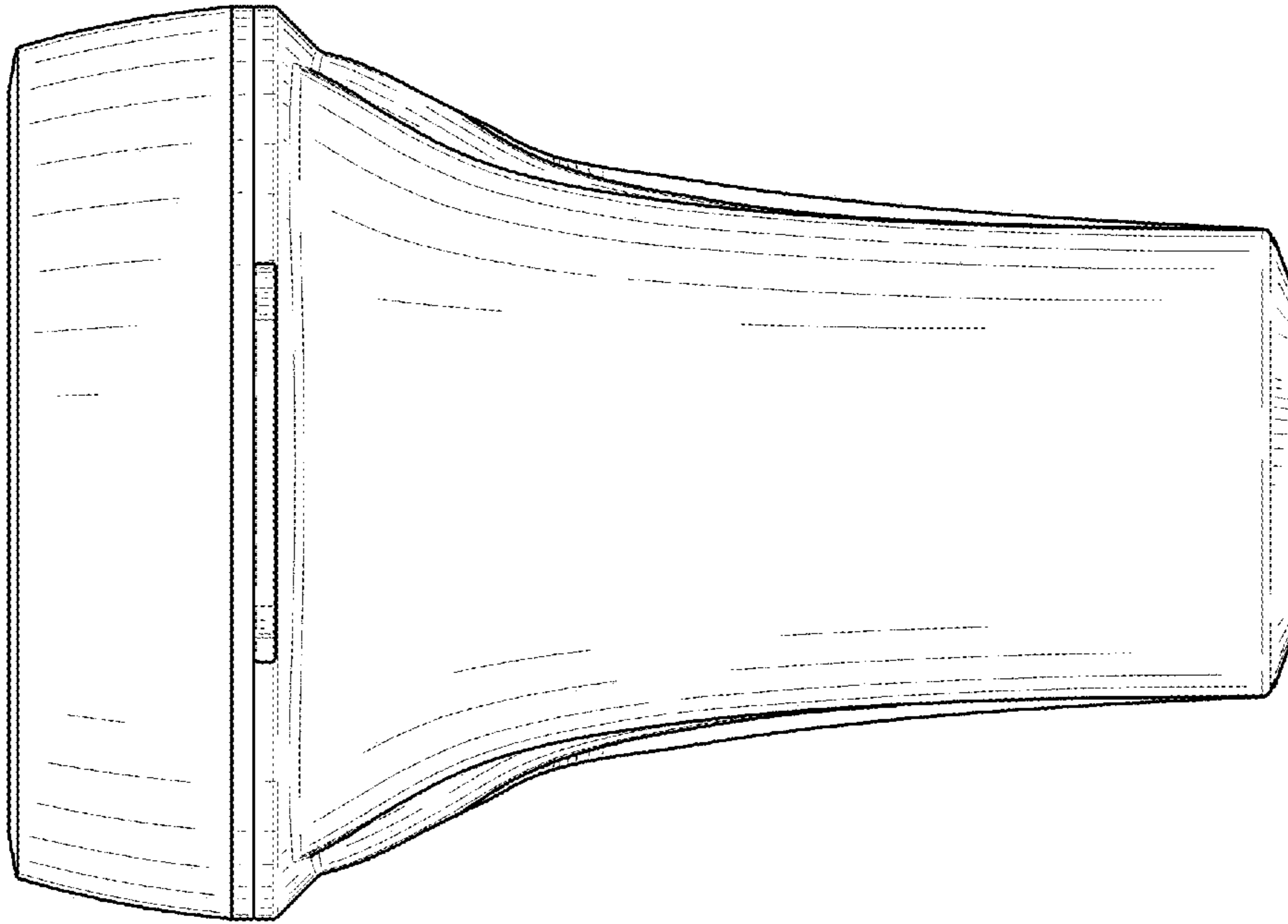


Fig. 7

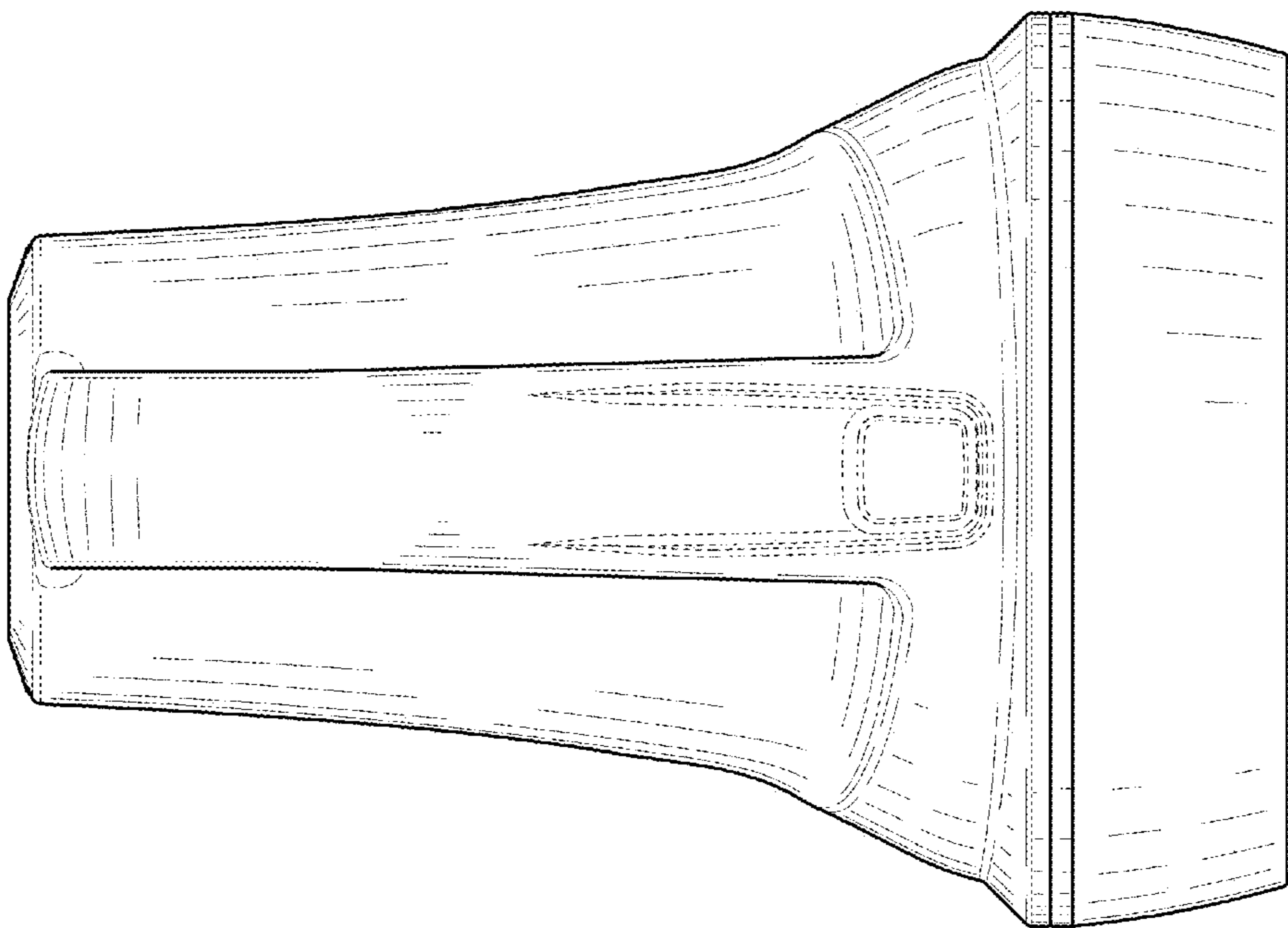


Fig. 6