



US00D752792S

(12) **United States Design Patent**  
**Grandadam**

(10) **Patent No.:** **US D752,792 S**

(45) **Date of Patent:** **\*\* Mar. 29, 2016**

(54) **FLASHLIGHT**

(71) Applicant: **Cody Grandadam**, Peru, IL (US)

(72) Inventor: **Cody Grandadam**, Peru, IL (US)

(\*\*) Term: **15 Years**

(21) Appl. No.: **29/527,310**

(22) Filed: **May 18, 2015**

(51) **LOC (10) Cl.** ..... **26-02**

(52) **U.S. Cl.**  
USPC ..... **D26/42; D26/49**

(58) **Field of Classification Search**  
USPC ..... D26/40-45, 50, 49, 37; 362/157, 158,  
362/183, 184, 194-196, 200-208  
CPC ..... F21V 33/00; F21V 14/025; F21V 21/406;  
F21Y 2101/02; F21L 17/00; F21L 13/08  
See application file for complete search history.

(56) **References Cited**

**U.S. PATENT DOCUMENTS**

D530,843 S	*	10/2006	Yamamoto	.....	D26/42
D541,962 S	*	5/2007	Bayat	.....	D26/42
D578,236 S	*	10/2008	Dalton	.....	D26/49
D625,860 S	*	10/2010	Bertken	.....	D26/37
D649,275 S	*	11/2011	Crawford	.....	D26/49

D655,027 S	*	2/2012	Milz	.....	D26/49
D676,170 S	*	2/2013	Feng	.....	D26/38
D681,858 S	*	5/2013	Sharrah	.....	D26/45
D703,356 S	*	4/2014	Grandadam	.....	D26/44
D737,488 S	*	8/2015	Chen	.....	D26/42
D739,063 S	*	9/2015	Su	.....	D26/42
D742,568 S	*	11/2015	Abernethy	.....	D26/42
D745,987 S	*	12/2015	Nawaz	.....	D22/117

\* cited by examiner

*Primary Examiner* — Ian Simmons

*Assistant Examiner* — Carissa C Fitts

(74) *Attorney, Agent, or Firm* — Justin Lampel

(57) **CLAIM**

The ornamental design for a flashlight, as shown and described.

**DESCRIPTION**

FIG. 1 is a perspective view of the flashlight;  
FIG. 2 is a front view of the flashlight;  
FIG. 3 is a back view of the flashlight;  
FIG. 4 is a side view of the flashlight;  
FIG. 5 is a top view of the flashlight; and,  
FIG. 6 is a bottom view of the flashlight.  
The broken line showing represents portions of the article not claimed and forms no part of the claimed design.

**1 Claim, 3 Drawing Sheets**

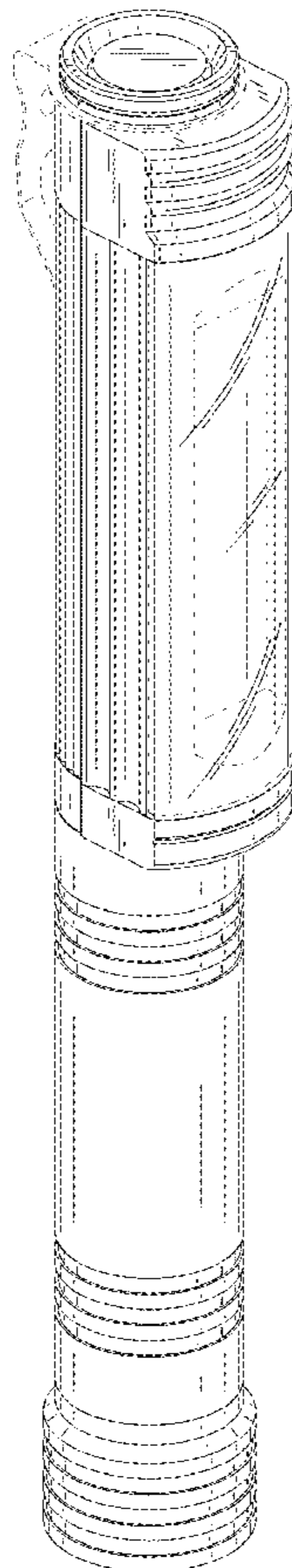


FIG. 1

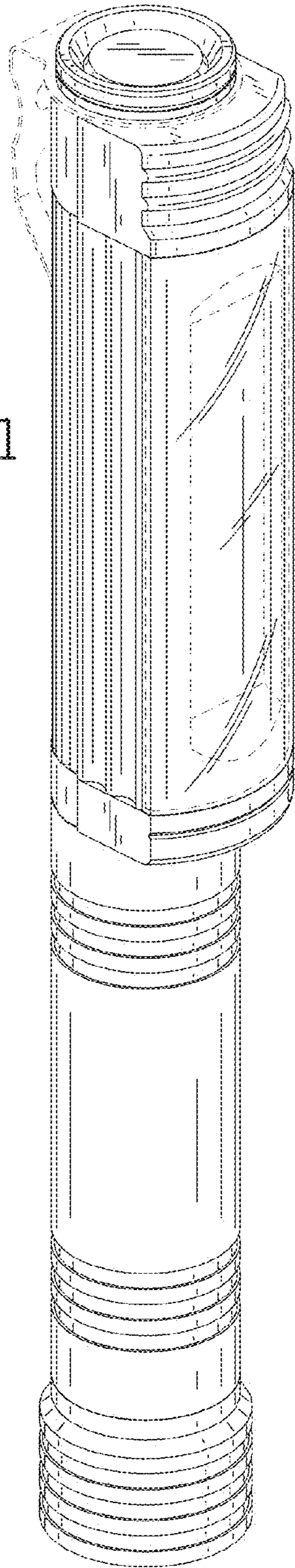


FIG. 2

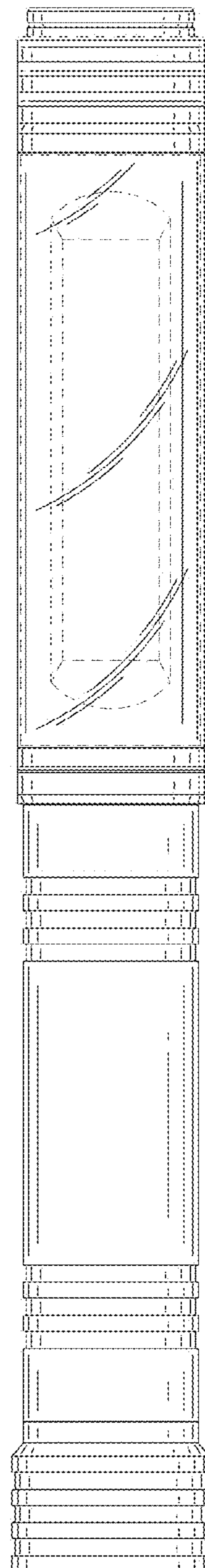


FIG. 3

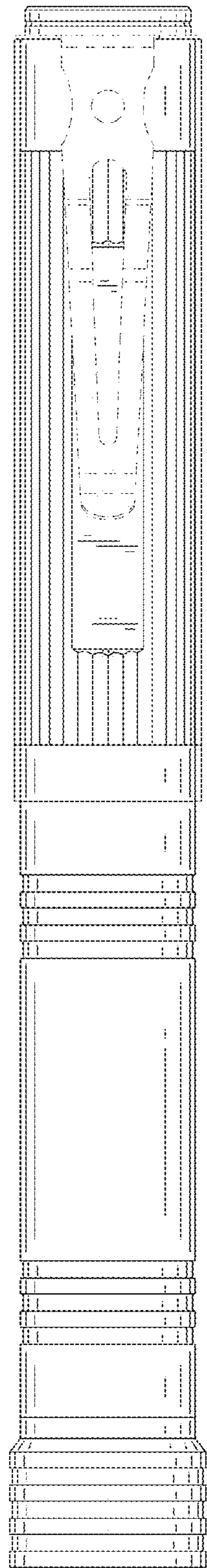
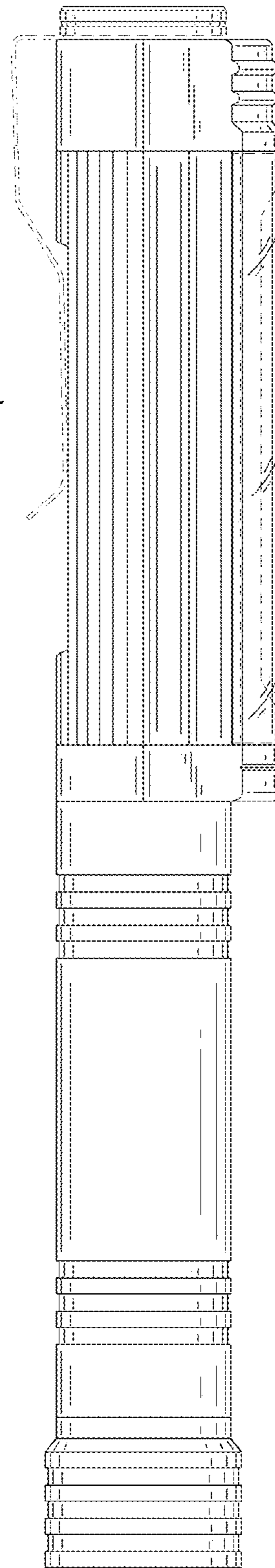


FIG. 4



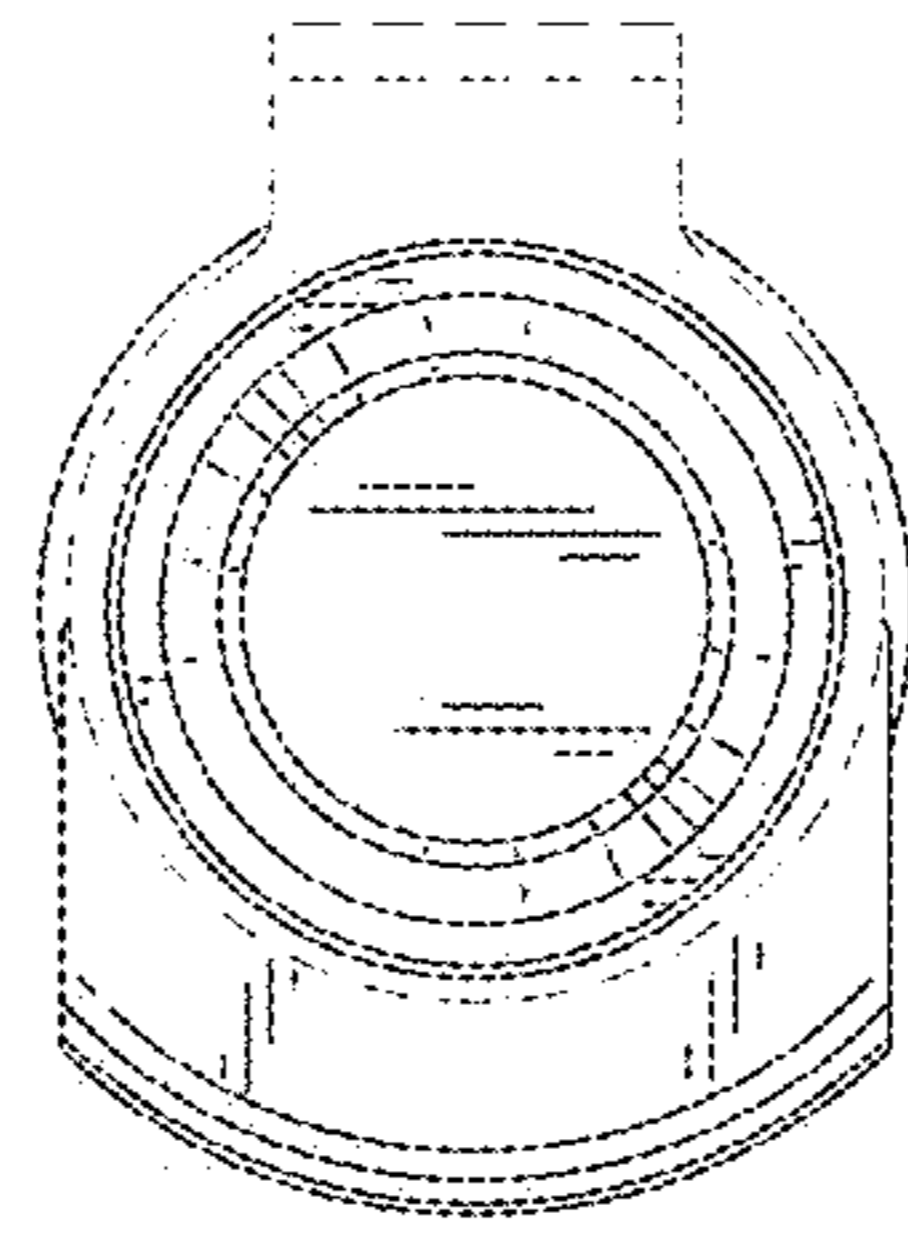


FIG. 5

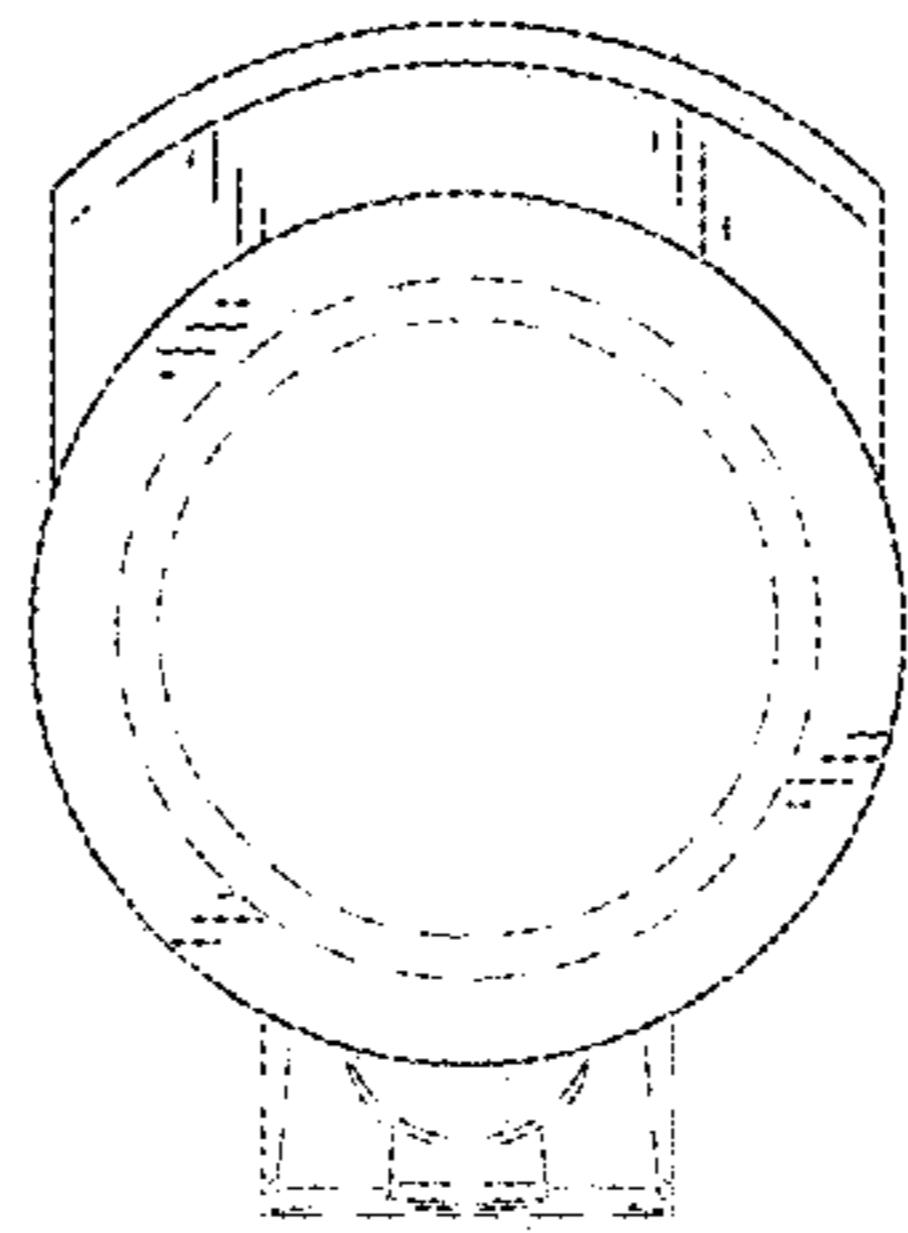


FIG. 6

UNITED STATES PATENT AND TRADEMARK OFFICE  
**CERTIFICATE OF CORRECTION**

PATENT NO. : D752,792 S  
APPLICATION NO. : 29/527310  
DATED : March 29, 2016  
INVENTOR(S) : Cody Grandadam

Page 1 of 5

It is certified that error appears in the above-identified patent and that said Letters Patent is hereby corrected as shown below:

On the Title Page

Delete the title page and replace with attached title page.

In the Drawings

Delete Figs. 1-5, and insert Figs. 1-5 as shown on attached pages.

Signed and Sealed this  
Nineteenth Day of December, 2017



Joseph Matal  
*Performing the Functions and Duties of the  
Under Secretary of Commerce for Intellectual Property and  
Director of the United States Patent and Trademark Office*

(12) **United States Design Patent**  
**Grandadam**

(10) **Patent No.:** **US D752,792 S**  
(45) **Date of Patent:** **\*\* Mar. 29, 2016**

(54) **FLASHLIGHT**  
(71) Applicant: **Cody Grandadam, Peru, IL (US)**  
(72) Inventor: **Cody Grandadam, Peru, IL (US)**  
(\*\*) Term: **15 Years**  
(21) Appl. No.: **29/527,310**  
(22) Filed: **May 18, 2015**  
(51) **LOC (10) Cl.** ..... **26-02**  
(52) **U.S. Cl.**  
USPC ..... **D26/42; D26/49**  
(58) **Field of Classification Search**  
USPC ..... **D26/40-45, 50, 49, 37; 362/157, 158,**  
**362/183, 184, 194, 196, 200, 208**  
**CPC ..... F21V 33/00; F21V 14/025; F21V 21/406;**  
**F21Y 2101/02; F21L 17/00; F21L 13/08**  
**See application file for complete search history.**

D655,027 S \* 2/2012 Milz ..... D26/49  
D676,170 S \* 2/2013 Feng ..... D26/38  
D681,858 S \* 5/2013 Sharrah ..... D26/45  
D703,356 S \* 4/2014 Grandadam ..... D26/44  
D737,488 S \* 8/2015 Chen ..... D26/42  
D739,063 S \* 9/2015 Su ..... D26/42  
D742,568 S \* 11/2015 Abernethy ..... D26/42  
D745,987 S \* 12/2015 Nawaz ..... D22/117

\* cited by examiner

*Primary Examiner* Ian Simmons  
*Assistant Examiner* — Carissa C Fitts  
(74) *Attorney, Agent, or Firm* Justin Lampel

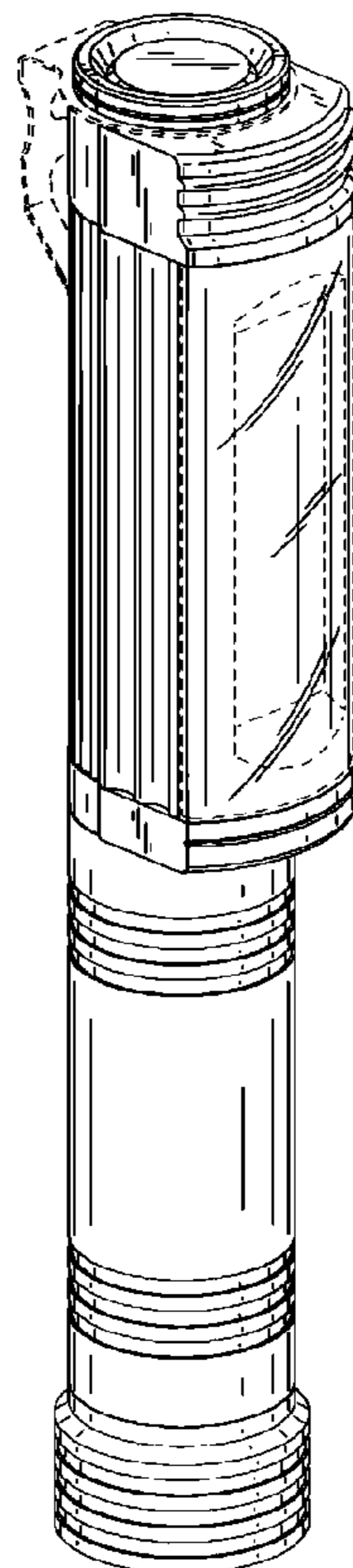
(57) **CLAIM**  
The ornamental design for a flashlight, as shown and described.

**DESCRIPTION**

FIG. 1 is a perspective view of the flashlight;  
FIG. 2 is a front view of the flashlight;  
FIG. 3 is a back view of the flashlight;  
FIG. 4 is a side view of the flashlight;  
FIG. 5 is a top view of the flashlight; and,  
FIG. 6 is a bottom view of the flashlight.  
The broken line showing represents portions of the article not claimed and forms no part of the claimed design.

**1 Claim, 3 Drawing Sheets**

(56) **References Cited**  
**U.S. PATENT DOCUMENTS**  
D530,843 S \* 10/2006 Yamamoto ..... D26/42  
D541,962 S \* 5/2007 Bayat ..... D26/42  
D578,236 S \* 10/2008 Dalton ..... D26/49  
D625,860 S \* 10/2010 Bertken ..... D26/37  
D649,275 S \* 11/2011 Crawford ..... D26/49



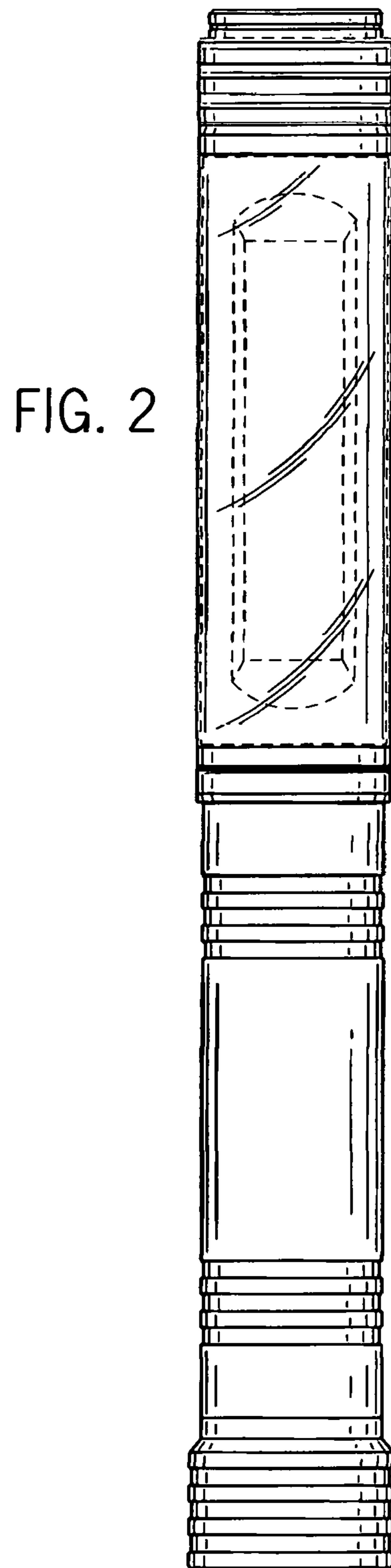
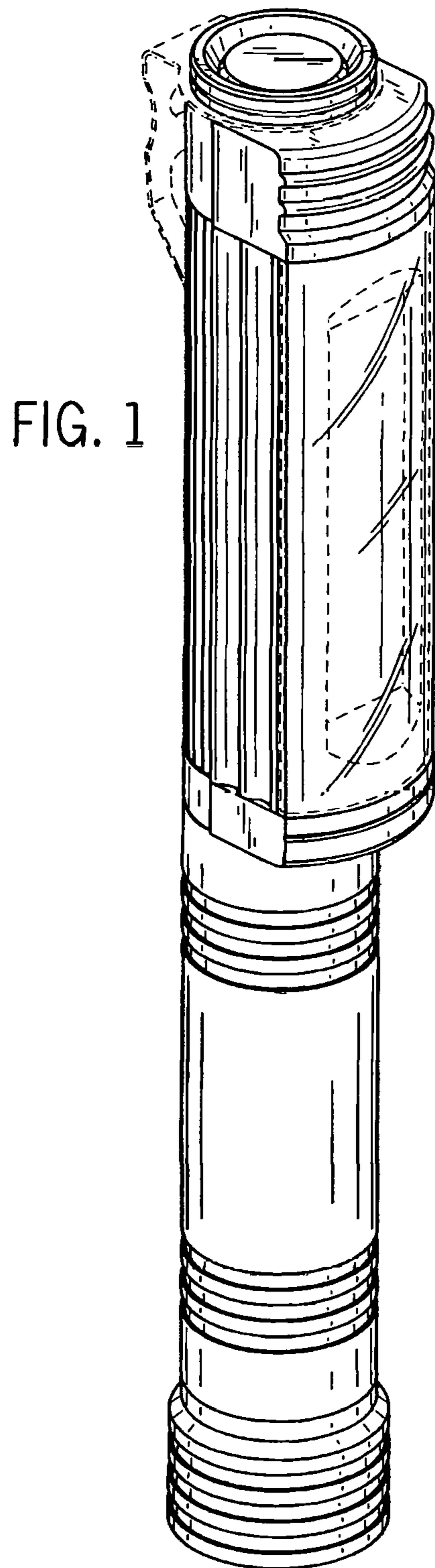


FIG. 3

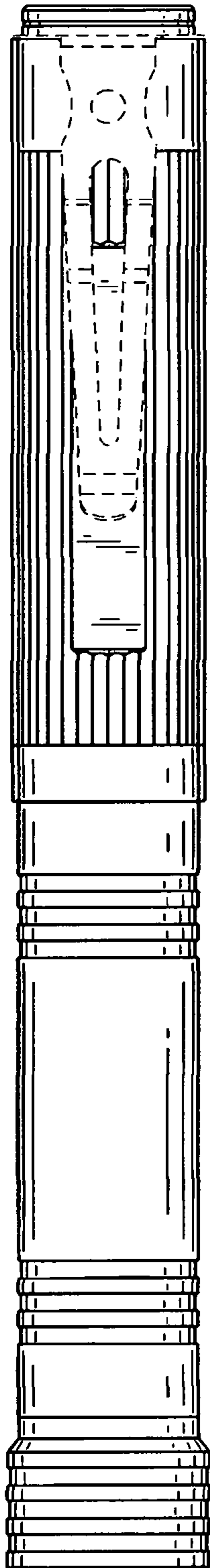
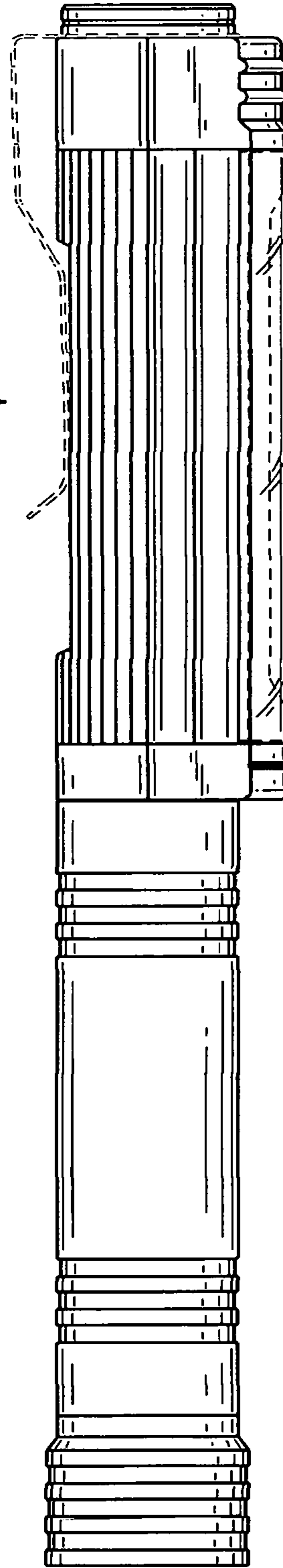


FIG. 4





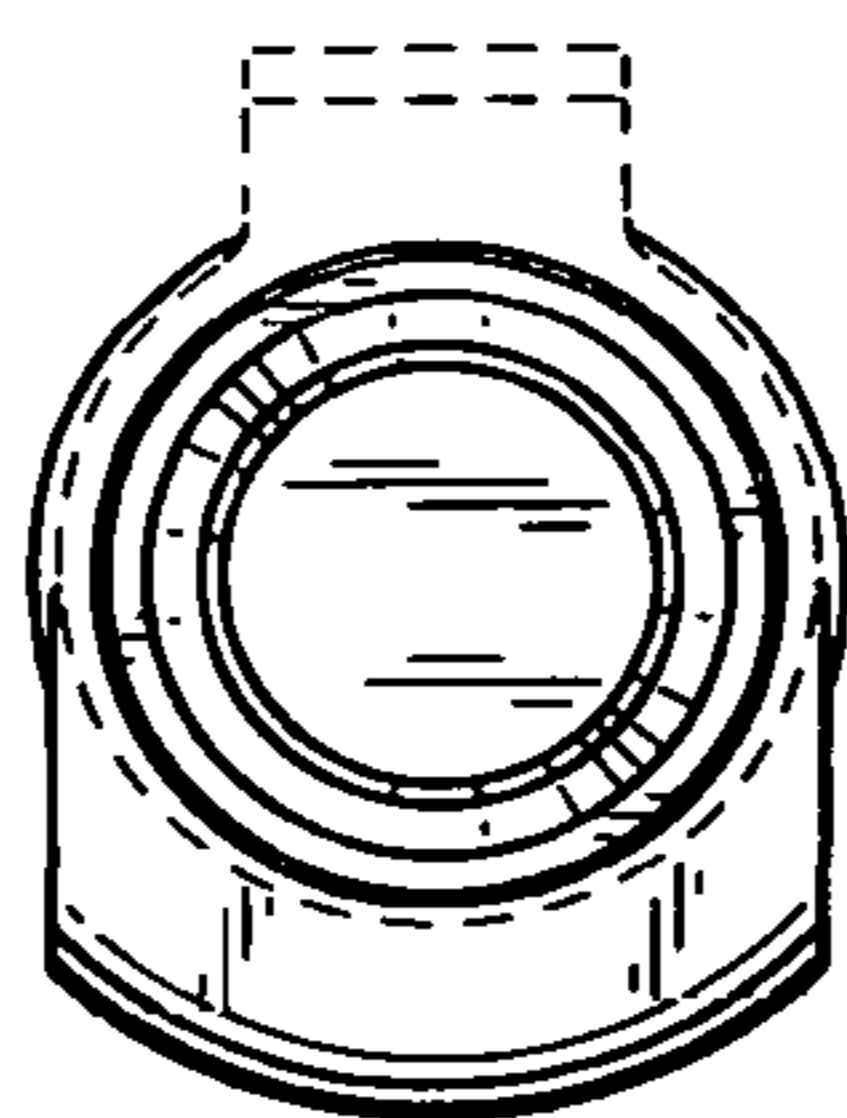


FIG. 5

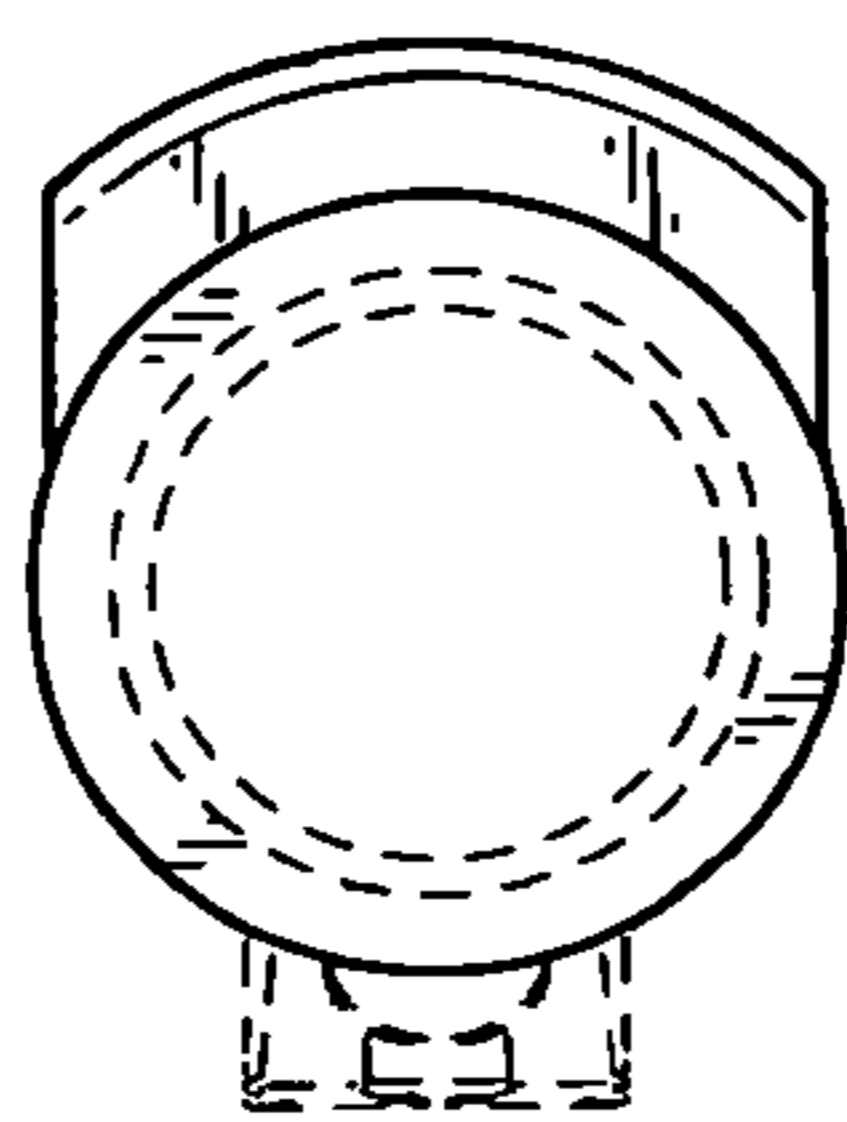


FIG. 6

UNITED STATES PATENT AND TRADEMARK OFFICE  
**CERTIFICATE OF CORRECTION**

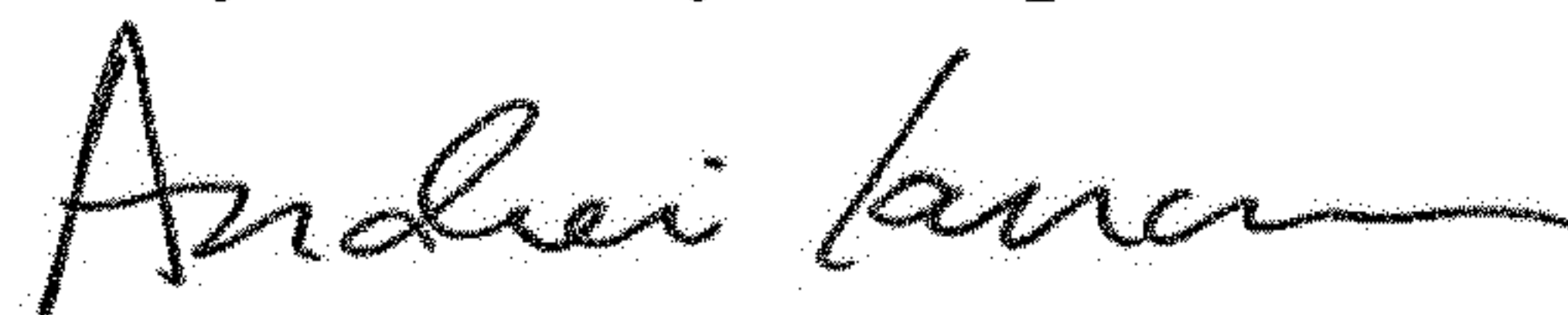
PATENT NO. : D752,792 S  
APPLICATION NO. : 29/527310  
DATED : March 29, 2016  
INVENTOR(S) : Cody Grandadam

Page 1 of 1

It is certified that error appears in the above-identified patent and that said Letters Patent is hereby corrected as shown below:

This certificate supersedes the Certificate of Correction issued December 19, 2017. The certificate is vacated since the Request for the Certificate of Correction filed August 15, 2016 was denied by the Supervisory Patent Examiner. The proposed replacement drawings contain extraneous matter and raise new issues of line quality that may impact the understanding of the scope of the claimed design. The Certificate of Correction dated December 19, 2017, was published in error and should not have been issued for this patent.

Signed and Sealed this  
Twenty-fifth Day of September, 2018



Andrei Iancu  
*Director of the United States Patent and Trademark Office*