



US00D752791S

(12) **United States Design Patent**
Ferguson

(10) **Patent No.:** **US D752,791 S**

(45) **Date of Patent:** **** Mar. 29, 2016**

(54) **HEADLAMP**

(71) Applicant: **Riverpoint Medical**, Portland, OR (US)

(72) Inventor: **John Ferguson**, Portland, OR (US)

(73) Assignee: **Riverpoint Medical, LLC**, Portland, OR (US)

(**) Term: **14 Years**

(21) Appl. No.: **29/436,761**

(22) Filed: **Nov. 8, 2012**

(51) **LOC (10) Cl.** **26-02**

(52) **U.S. Cl.**
USPC **D26/39**

(58) **Field of Classification Search**
USPC D26/37, 38, 39, 46; 362/103–108, 157,
362/158, 184, 183, 194–201, 208, 253
See application file for complete search history.

(56) **References Cited**

U.S. PATENT DOCUMENTS

D232,119 S *	7/1974	Van Der Bel	D26/39
D238,958 S *	2/1976	Van Der Bel	D26/39
D266,192 S *	9/1982	Feinbloom et al.	D26/39
D373,433 S *	9/1996	Feinbloom	D26/39
D399,580 S *	10/1998	Feinbloom	D26/39
D406,371 S *	3/1999	Van Der Bel	D26/39
D441,111 S *	4/2001	Van Der Bel	D26/39

D441,886 S *	5/2001	Beck	D26/39
D489,838 S *	5/2004	Opolka	D26/39
D552,278 S *	10/2007	Spartano et al.	D26/39
D560,009 S *	1/2008	Spartano et al.	D26/39
D615,677 S *	5/2010	Feinbloom et al.	D26/39
D621,535 S *	8/2010	Heine et al.	D26/39
D625,863 S *	10/2010	Kingston et al.	D26/39
D628,307 S *	11/2010	Krause-Bonte	D24/231
8,529,081 B2 *	9/2013	Gibson et al.	362/105

* cited by examiner

Primary Examiner — Ian Simmons

Assistant Examiner — Carissa C Fitts

(74) *Attorney, Agent, or Firm* — Baumgartner Patent Law;
Marc Baumgartner

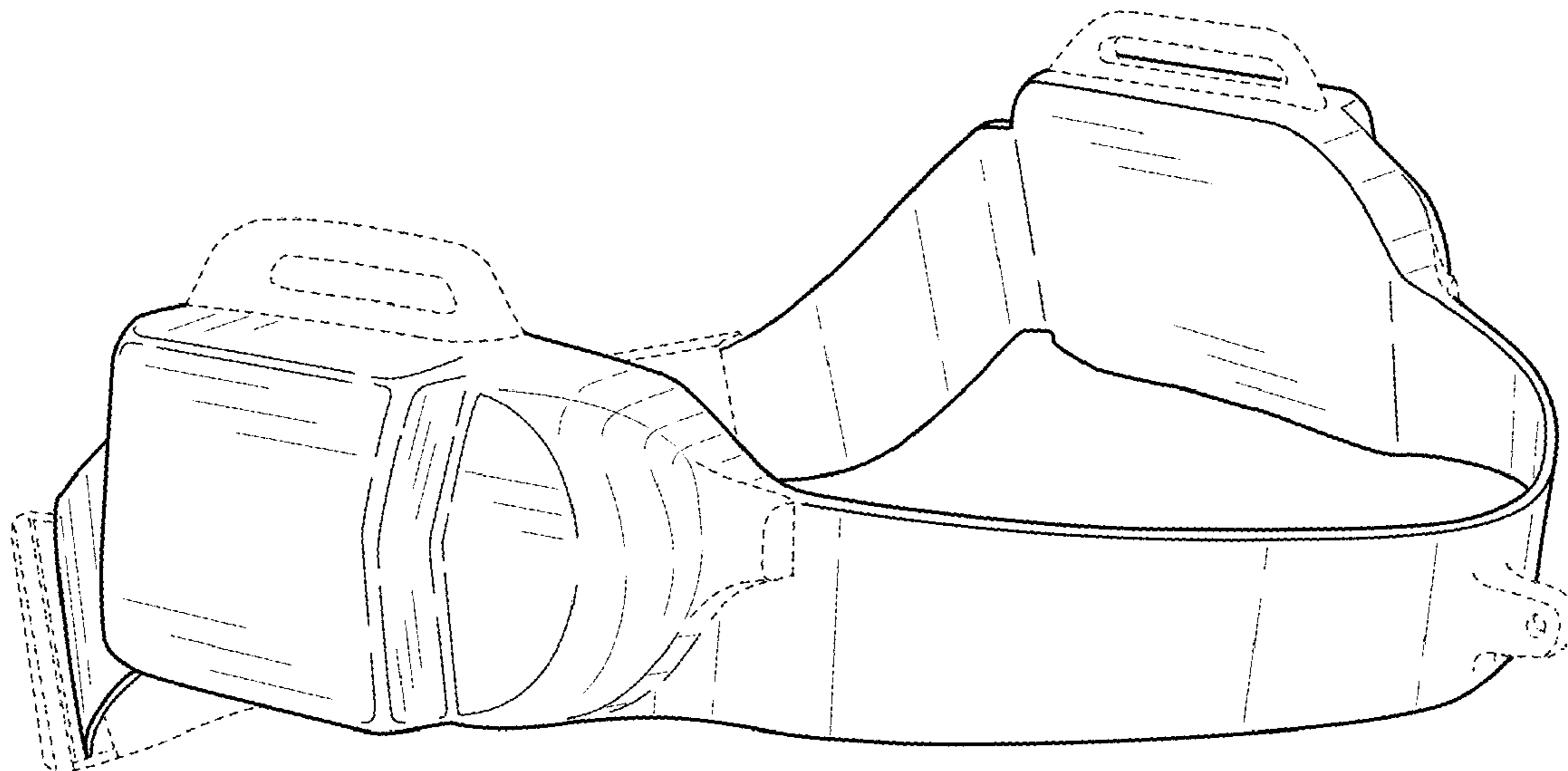
(57) **CLAIM**

The ornamental design for a headlamp, as shown and described.

DESCRIPTION

FIG. 1 is a right perspective view of the headlamp.
FIG. 2 is a left perspective view of the headlamp.
FIG. 3 is a front perspective view of the headlamp.
FIG. 4 is a rear perspective view of the headlamp.
FIG. 5 is a top perspective view of the headlamp.
FIG. 6 is a bottom perspective view of the headlamp; and,
FIG. 7 is a left perspective view of the headlamp.
The broken line showing is for environmental purposes only
and forms no part of the claimed design.

1 Claim, 7 Drawing Sheets



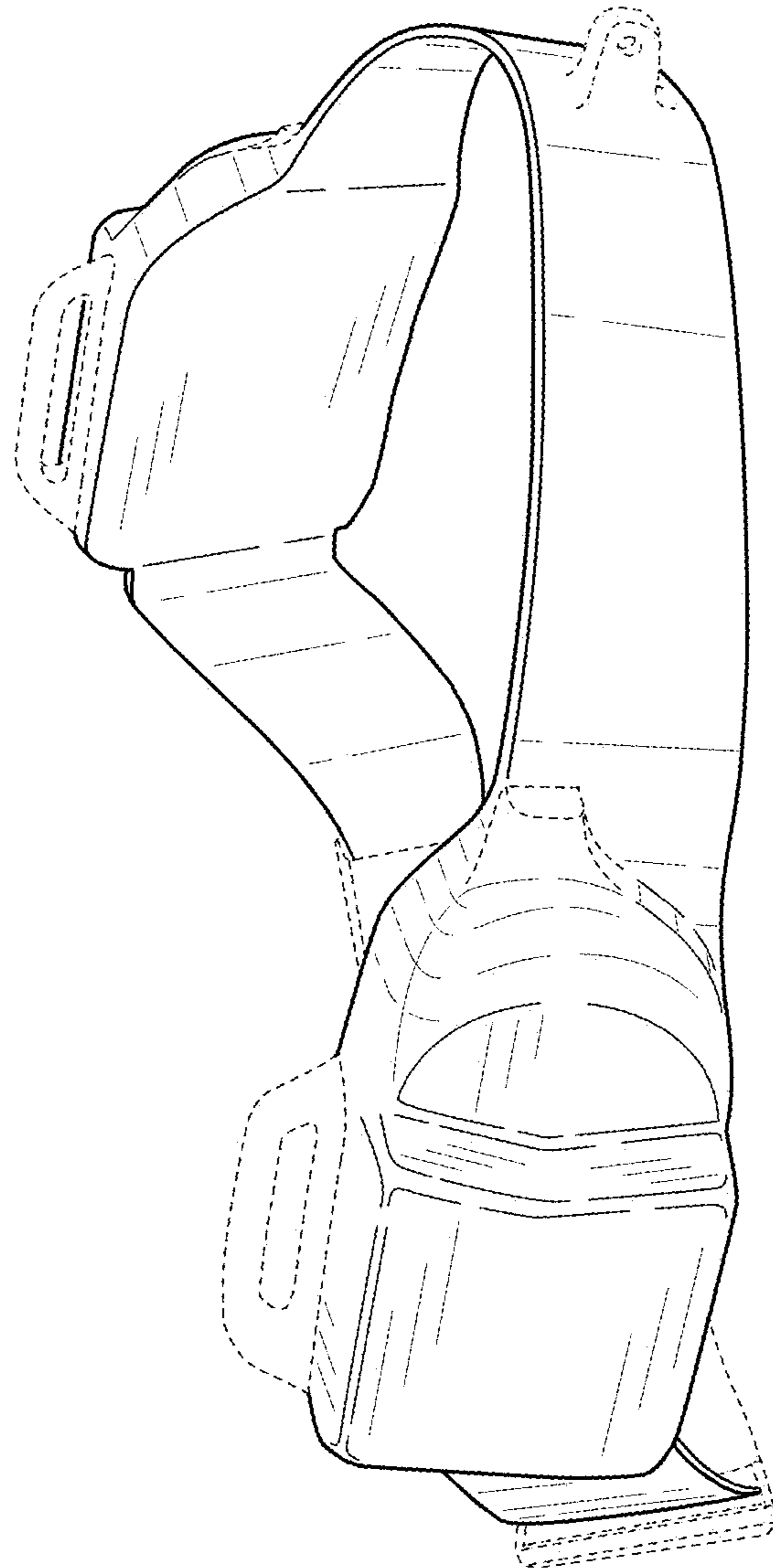


FIG. 1

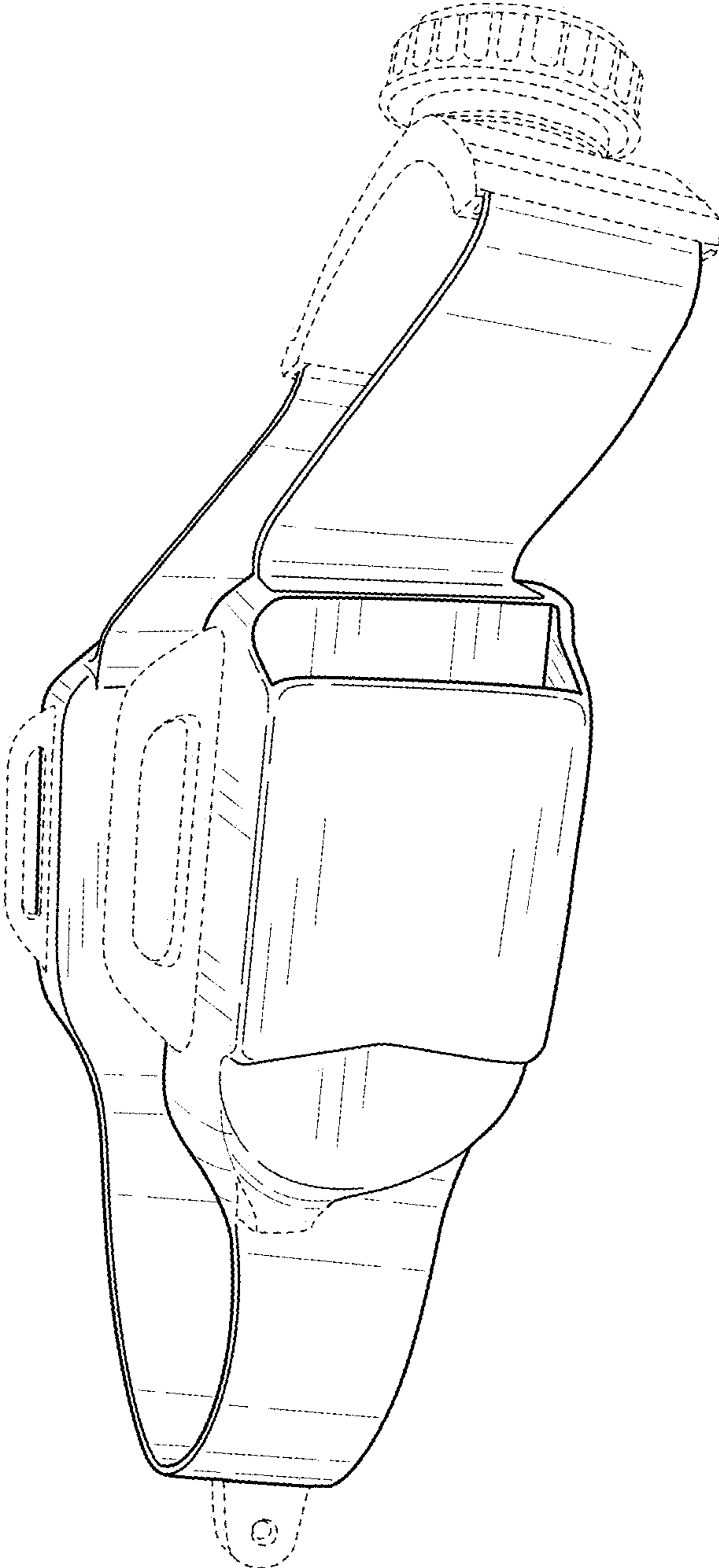


FIG. 2

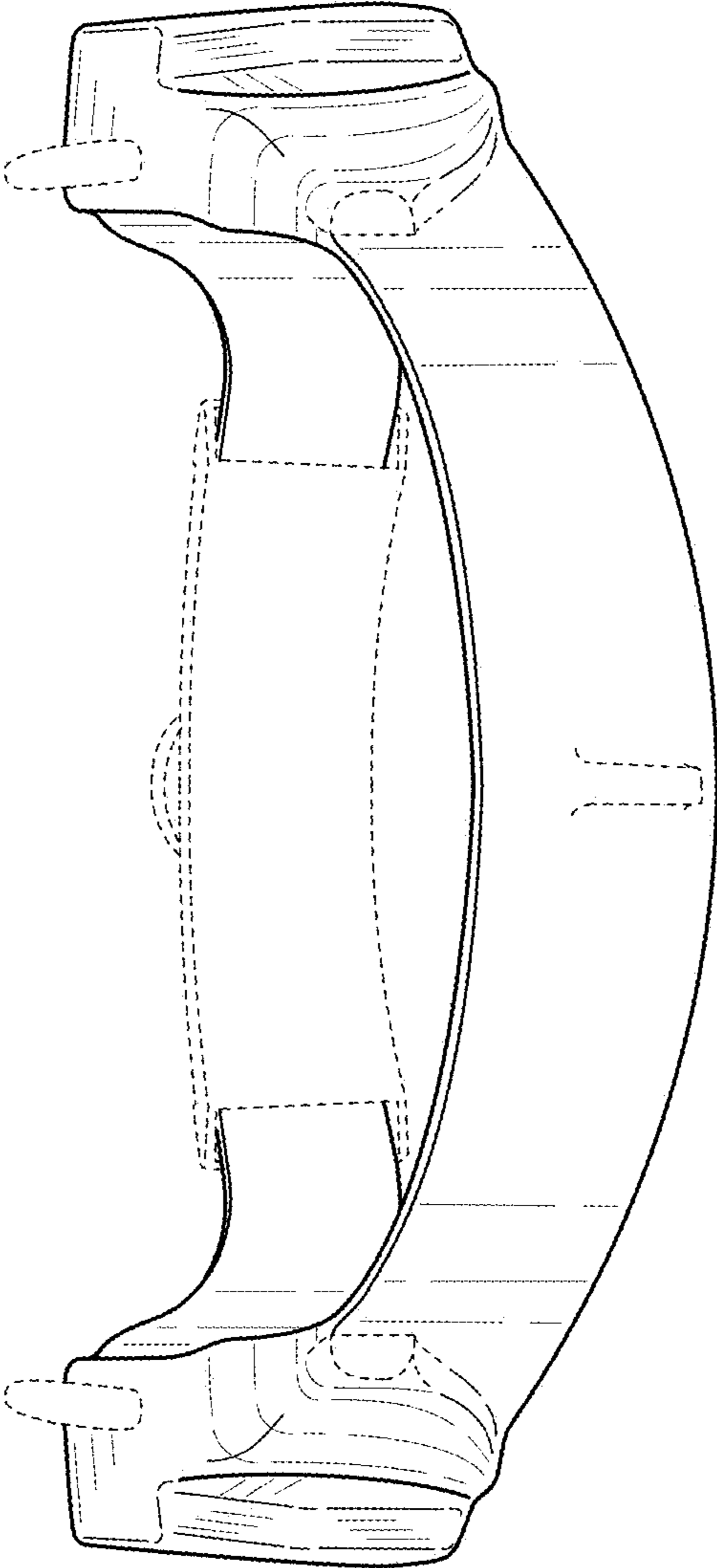


FIG. 3

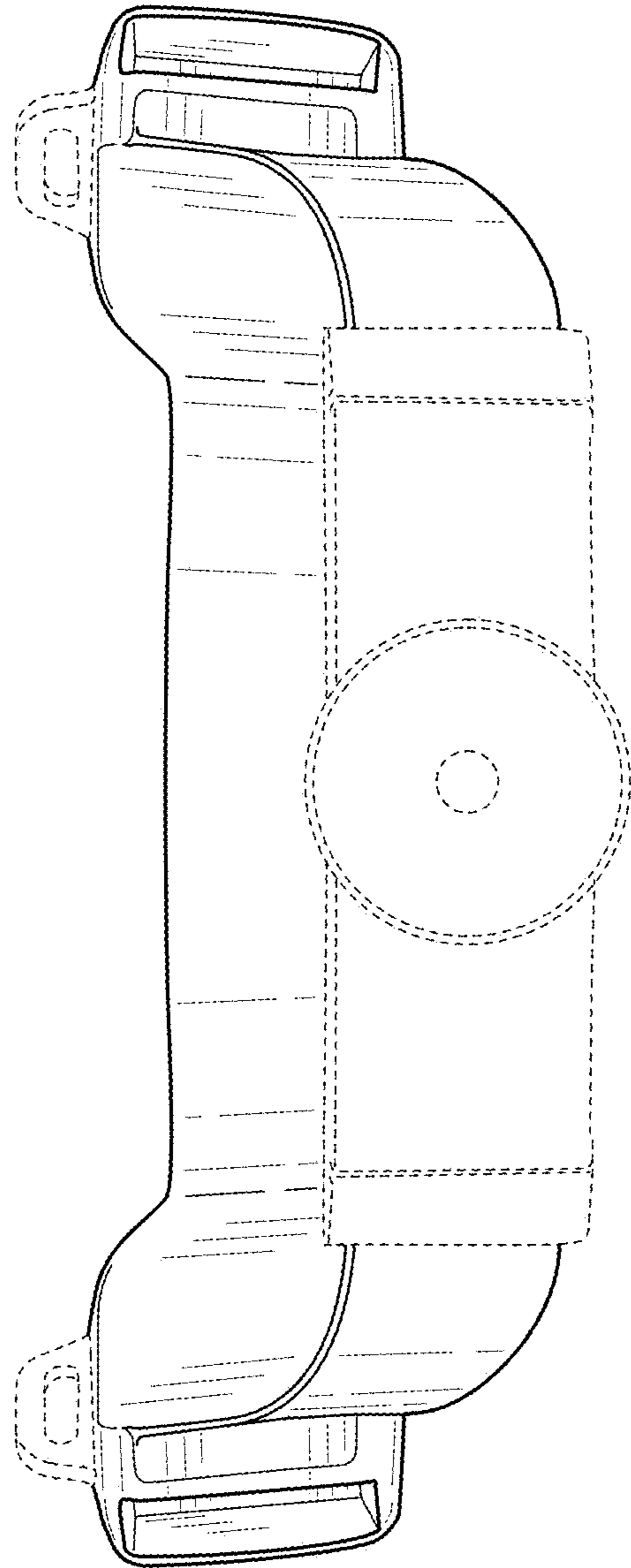


FIG. 4

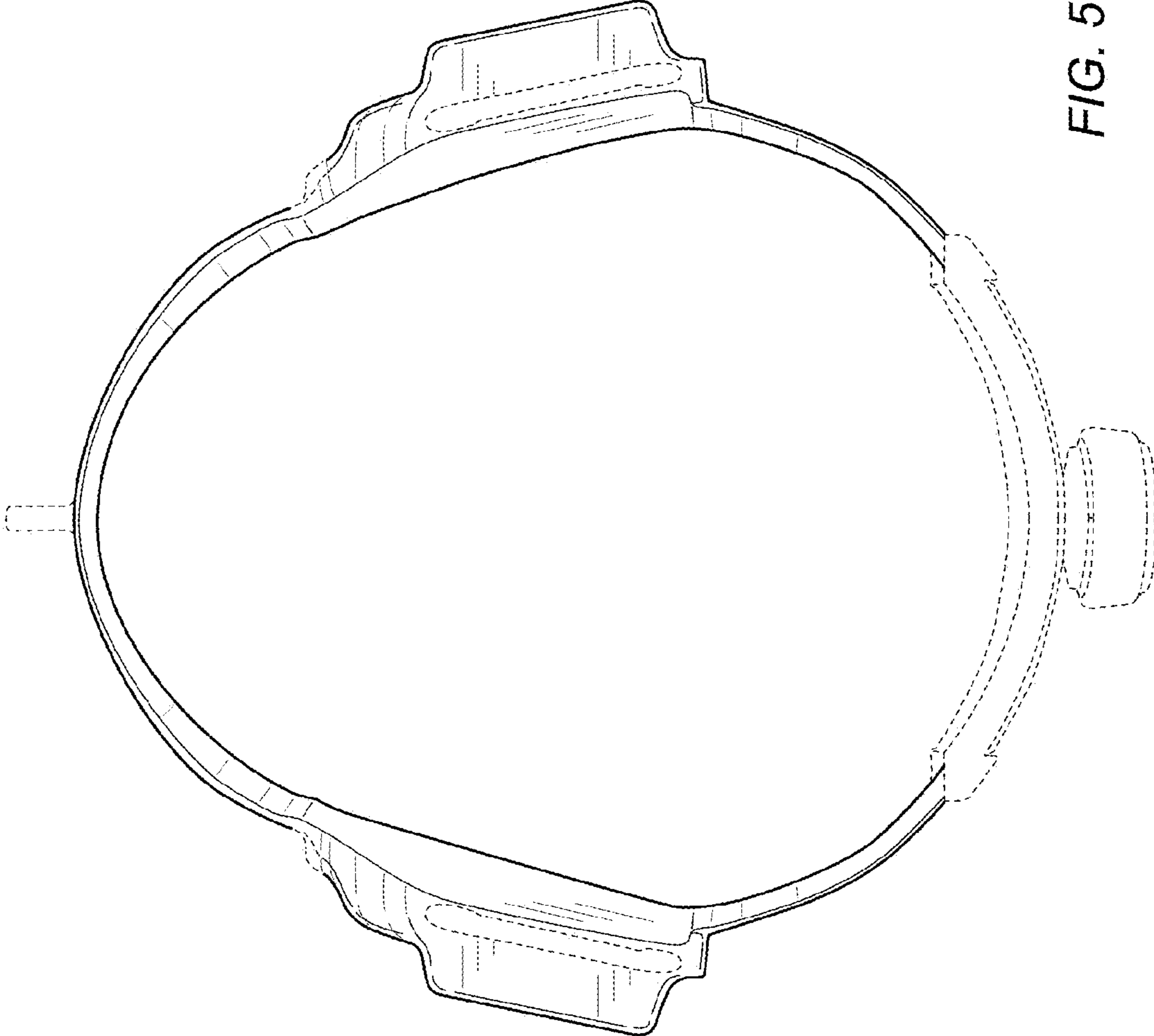


FIG. 5

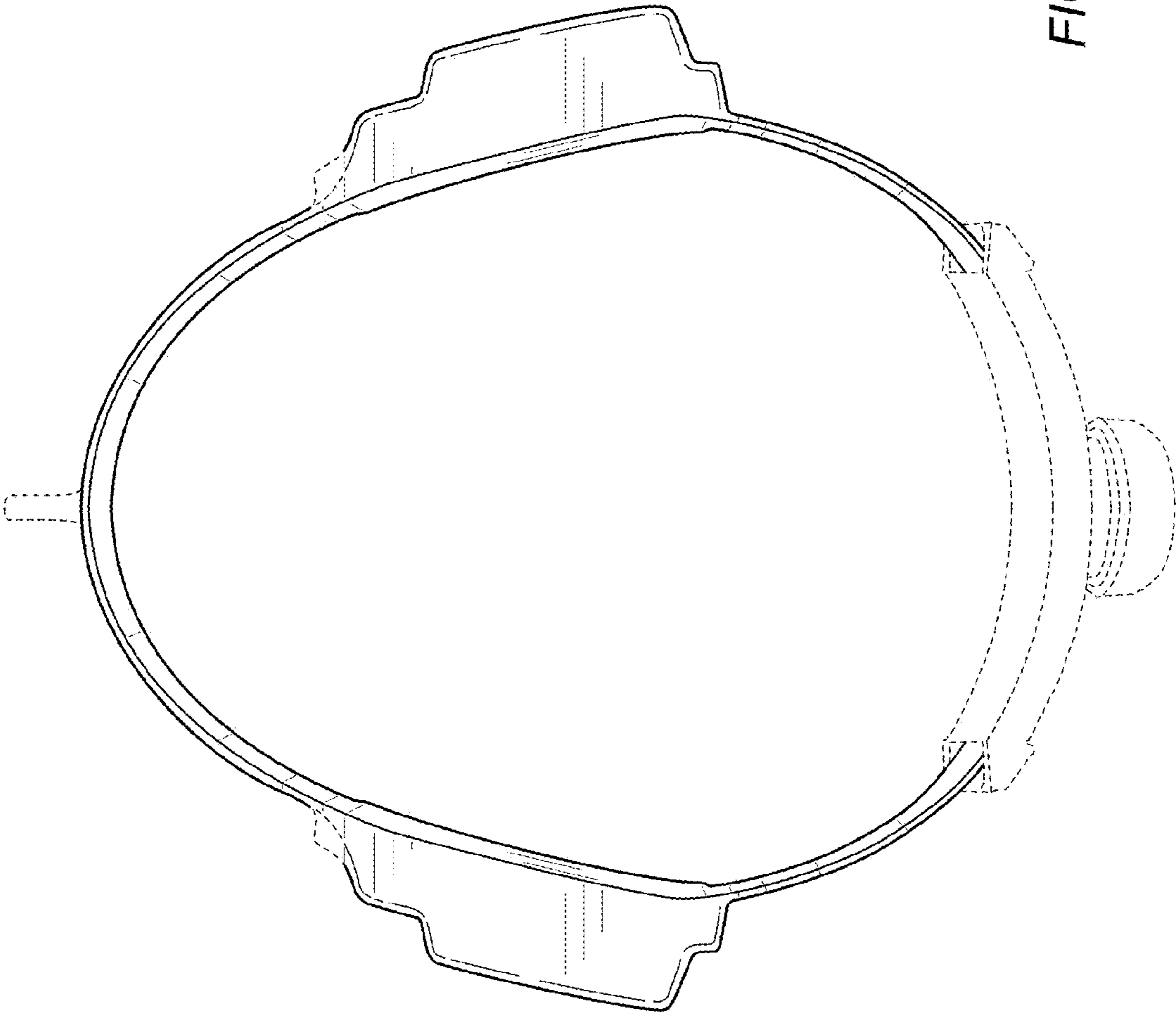


FIG. 6

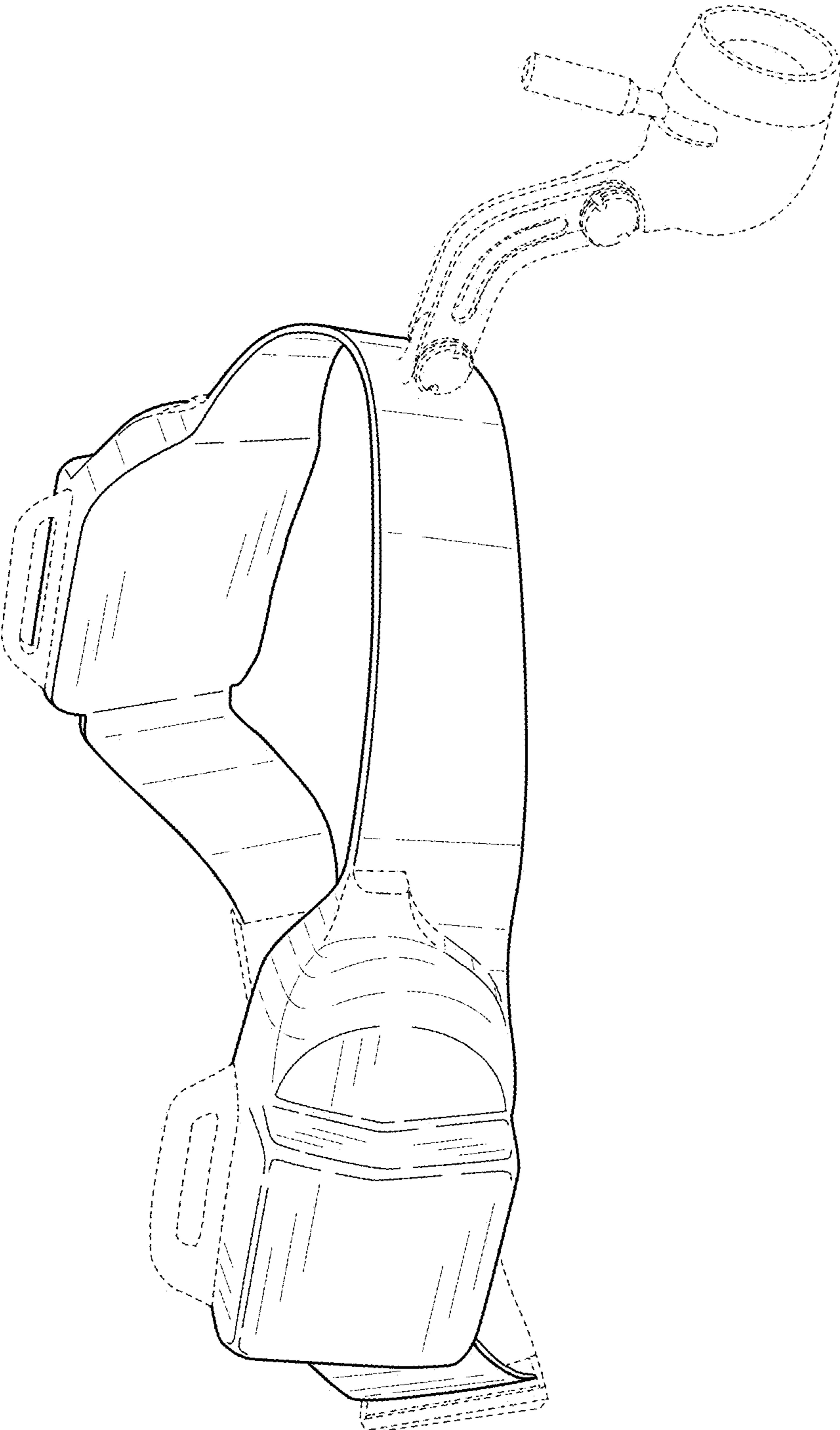


FIG. 7