



US00D752790S

(12) **United States Design Patent**
Hine et al.

(10) **Patent No.:** **US D752,790 S**
(45) **Date of Patent:** **** Mar. 29, 2016**

(54) **LIGHTING DEVICE**

(75) Inventors: **David J. Hine**, Syracuse, NY (US);
Matthew R. Gortner, Manlius, NY
(US); **William R. Narpes**, North
Ridgeville, OH (US)

(73) Assignee: **Energizer Brands, LLC**, St. Louis, MO
(US)

(**) Term: **14 Years**

(21) Appl. No.: **29/428,476**

(22) Filed: **Jul. 31, 2012**

(51) **LOC (10) Cl.** **26-02**

(52) **U.S. Cl.**
USPC **D26/39**

(58) **Field of Classification Search**
USPC D26/37, 38, 44, 46, 39; 362/157, 158,
362/183, 184, 194–196, 200–208, 253, 103,
362/105, 106
CPC F21V 33/00; F21V 14/025; F21V 21/406;
F21Y 2101/02; F21L 17/00; F21L 13/08
See application file for complete search history.

(56) **References Cited**

U.S. PATENT DOCUMENTS

D472,998 S 4/2003 Paris et al.
D506,846 S 6/2005 Kang et al.
D532,538 S * 11/2006 Yuen D26/39

(Continued)

Primary Examiner — Ian Simmons

Assistant Examiner — Carissa C Fitts

(74) *Attorney, Agent, or Firm* — McDonald Hopkins LLC

(57) **CLAIM**

We claim the ornamental design for a lighting device, as shown and described.

DESCRIPTION

FIG. 1 is a front perspective view of the design with the headstrap and lens attached.

FIG. 2 is a front perspective view of the design with the lens attached.

FIG. 3 is a front perspective view of the design.

FIG. 4 is a rear perspective view of the design.

FIG. 5 is a right side view of the design. The left side view of the design is a mirror image of the right side view.

FIG. 6 is a front view of the design.

FIG. 7 is a rear view of the design.

FIG. 8 is a top view of the design.

FIG. 9 is a bottom view of the design.

FIG. 10 is a front perspective view a second embodiment of the design with the headstrap and lens attached.

FIG. 11 is a front perspective view of the design with the lens attached.

FIG. 12 front perspective view of the design.

FIG. 13 is a rear perspective view of the design.

FIG. 14 is a right side view of the design. The left side view of the design is a mirror image of the right side view.

FIG. 15 is a front view of the design.

FIG. 16 is a rear view of the design.

FIG. 17 is a top view of the design.

FIG. 18 is a bottom view of the design.

FIG. 19 is a front perspective view a third embodiment of the design with the headstrap and lens attached.

FIG. 20 is a front perspective view of the design with the lens attached.

FIG. 21 front perspective view of the design.

FIG. 22 is a rear perspective view of the design.

FIG. 23 is a right side view of the design. The left side view of the design is a mirror image of the right side view.

FIG. 24 is a front view of the design.

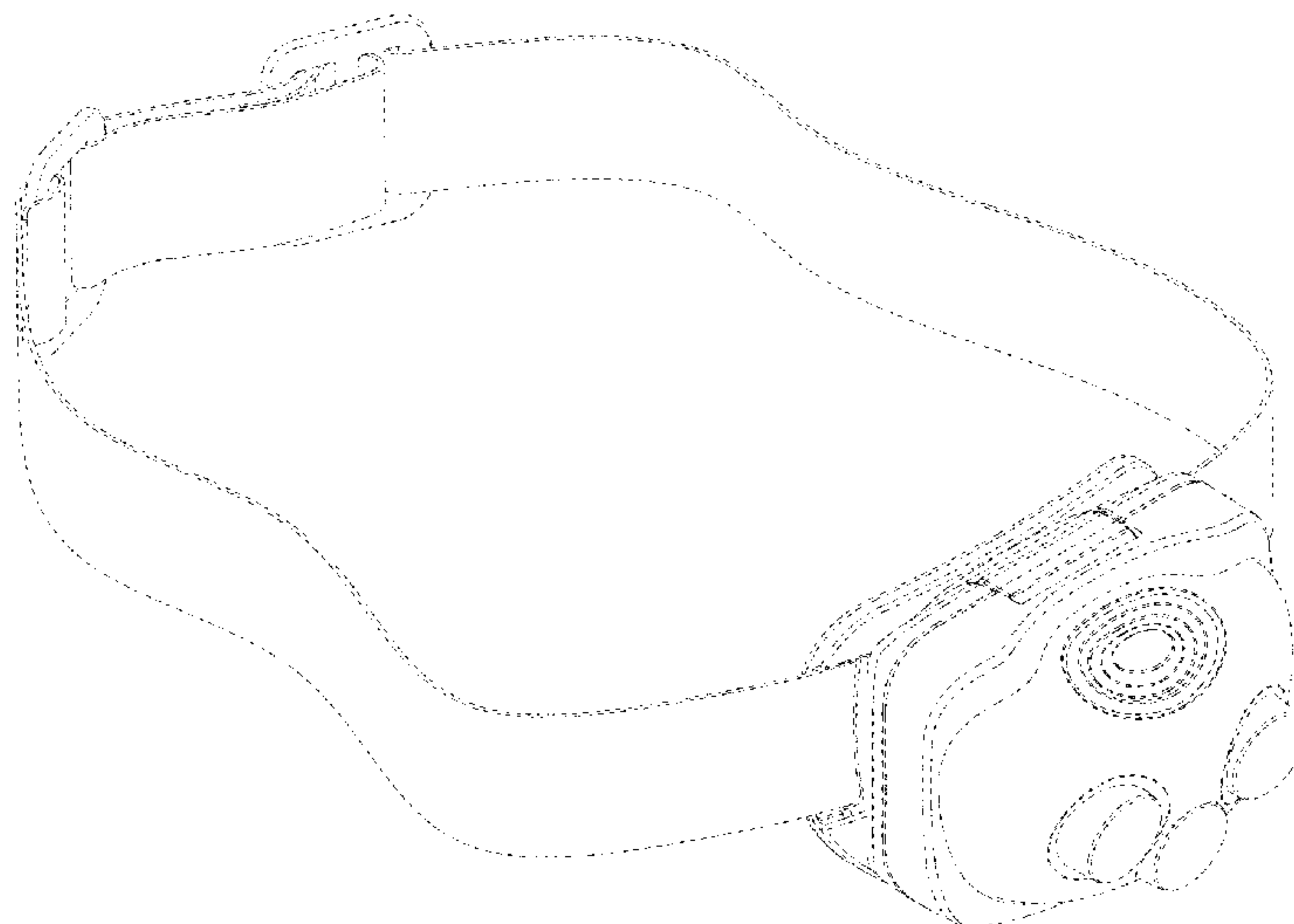
FIG. 25 is a rear view of the design.

FIG. 26 is a top view of the design; and,

FIG. 27 is a bottom view of the design.

The broken lines depict environmental subject matter only and form no part of the claimed design.

1 Claim, 15 Drawing Sheets



(56)

References Cited

U.S. PATENT DOCUMENTS

D552,278 S	10/2007	Spartano et al.	
D556,927 S *	12/2007	Shiu	D26/39
D560,009 S	1/2008	Spartano et al.	
D560,298 S	1/2008	Spartano et al.	
D566,310 S *	4/2008	Alessio	D26/39
D568,510 S *	5/2008	Shiu	D26/39
D576,326 S *	9/2008	Lee	D26/39
D576,328 S *	9/2008	Poon	D26/39
D581,567 S	11/2008	Crawford et al.	
D583,971 S	12/2008	Castellucci et al.	
D590,083 S *	4/2009	Petzl	D26/39
D592,782 S	5/2009	Hine et al.	
D596,770 S	7/2009	Hine et al.	
D600,379 S *	9/2009	Petzl	D26/39
D615,227 S *	5/2010	Hine et al.	D26/46
D620,160 S	7/2010	Kang et al.	
D625,863 S	10/2010	Kingston et al.	
D631,587 S *	1/2011	Hine et al.	D26/39
D672,893 S *	12/2012	Inskeep	D26/39
D679,041 S *	3/2013	Petzl	D26/39
D696,803 S *	12/2013	Kingston et al.	D26/39

* cited by examiner

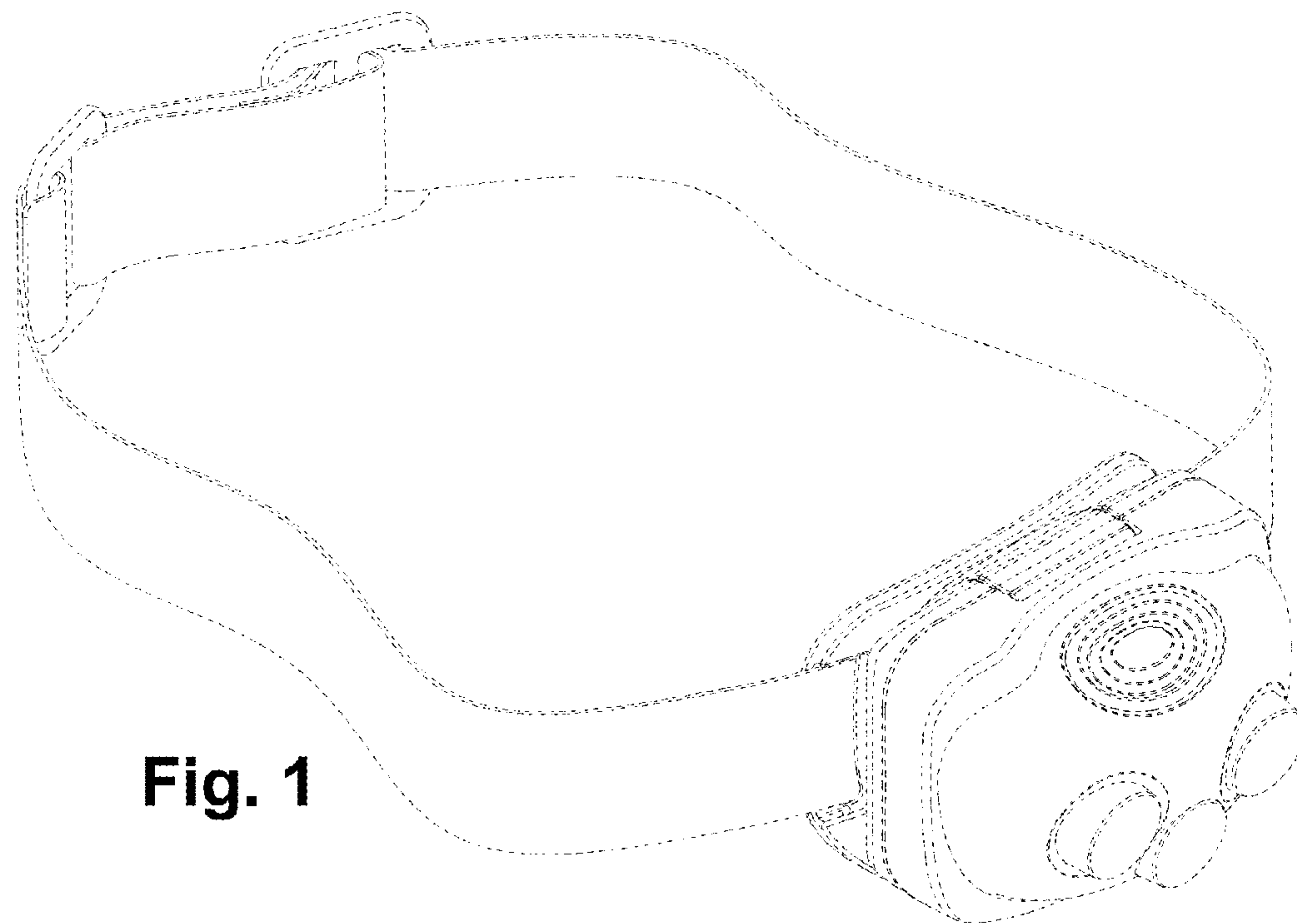


Fig. 1

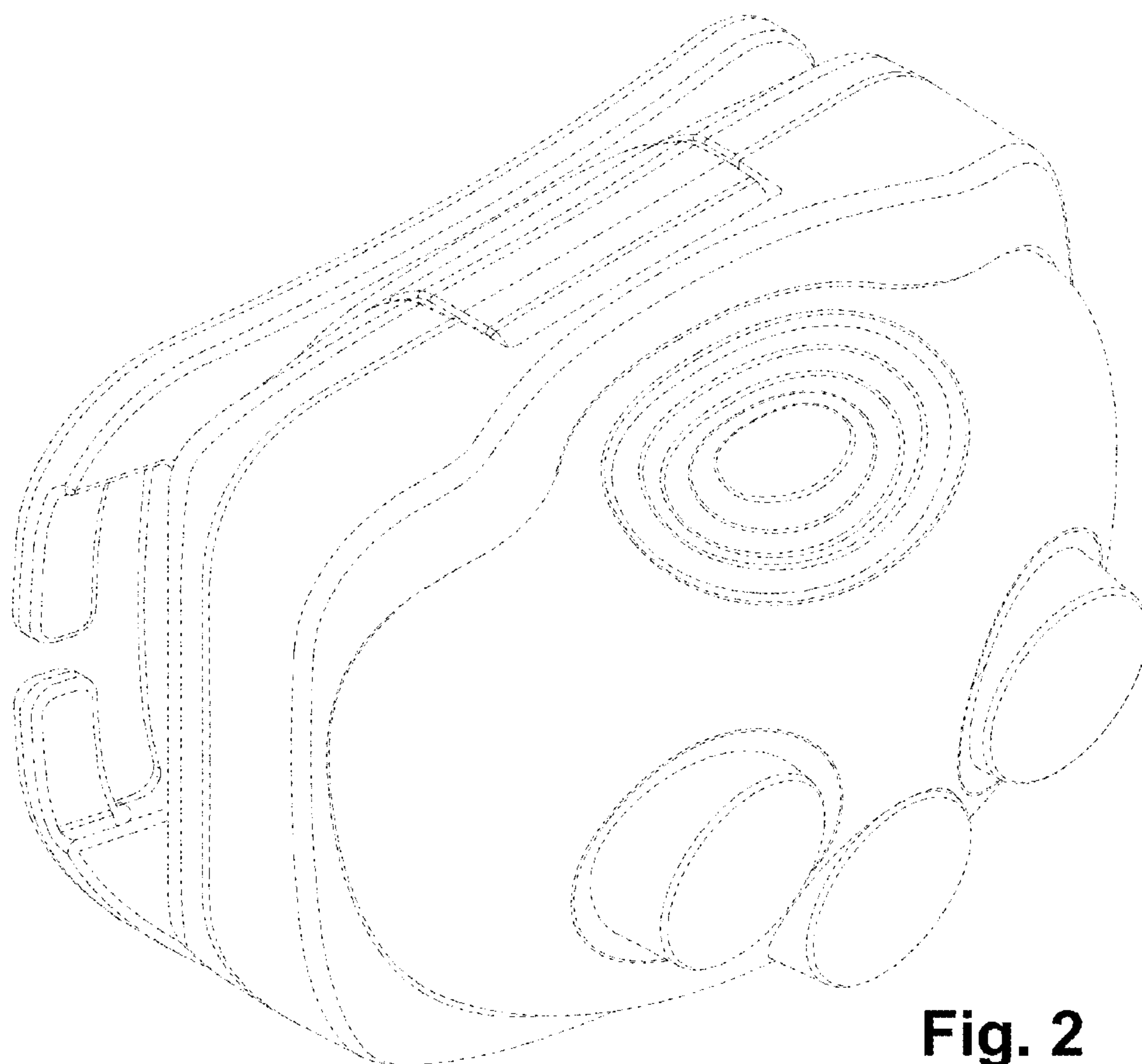


Fig. 2

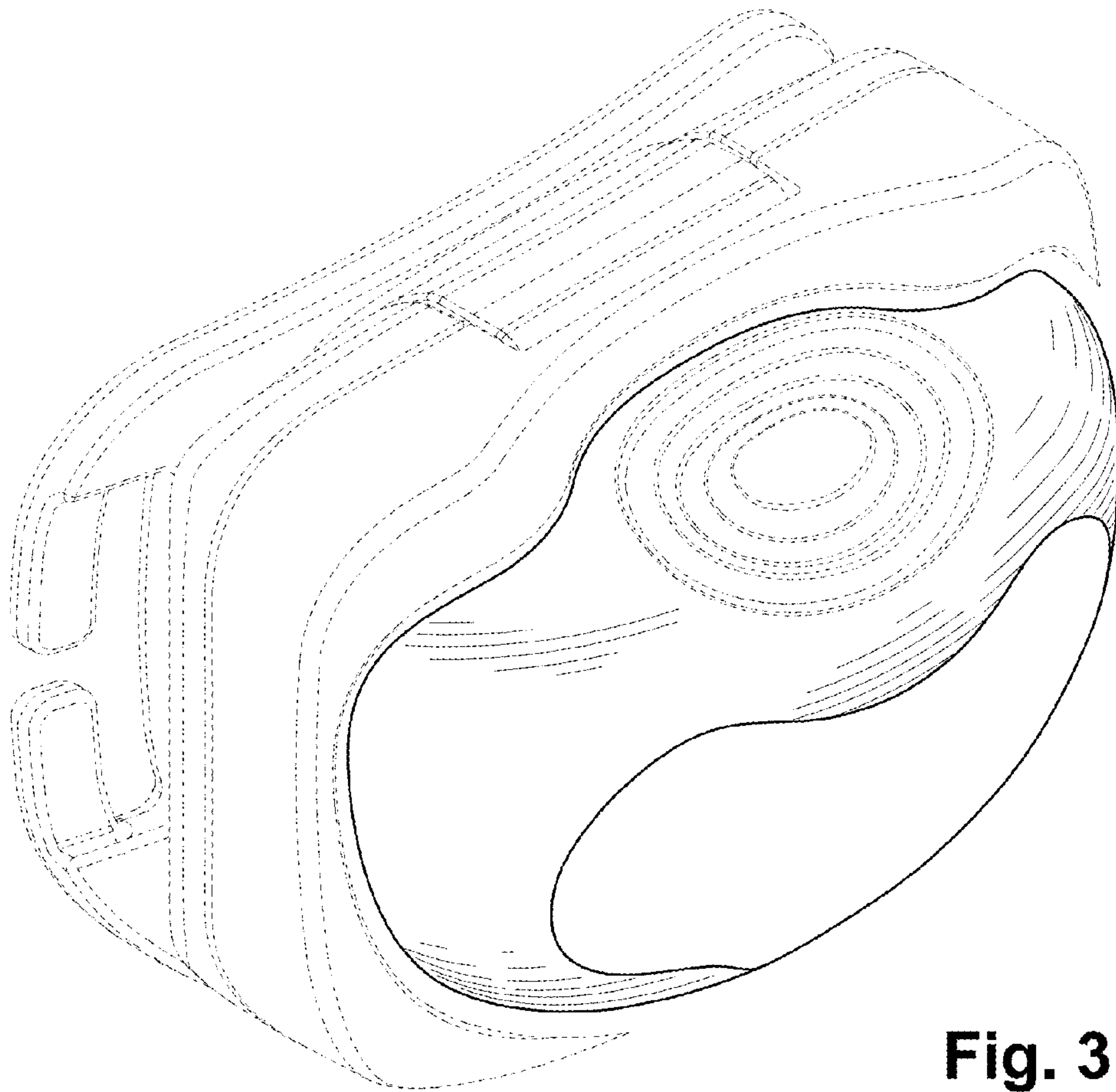


Fig. 3

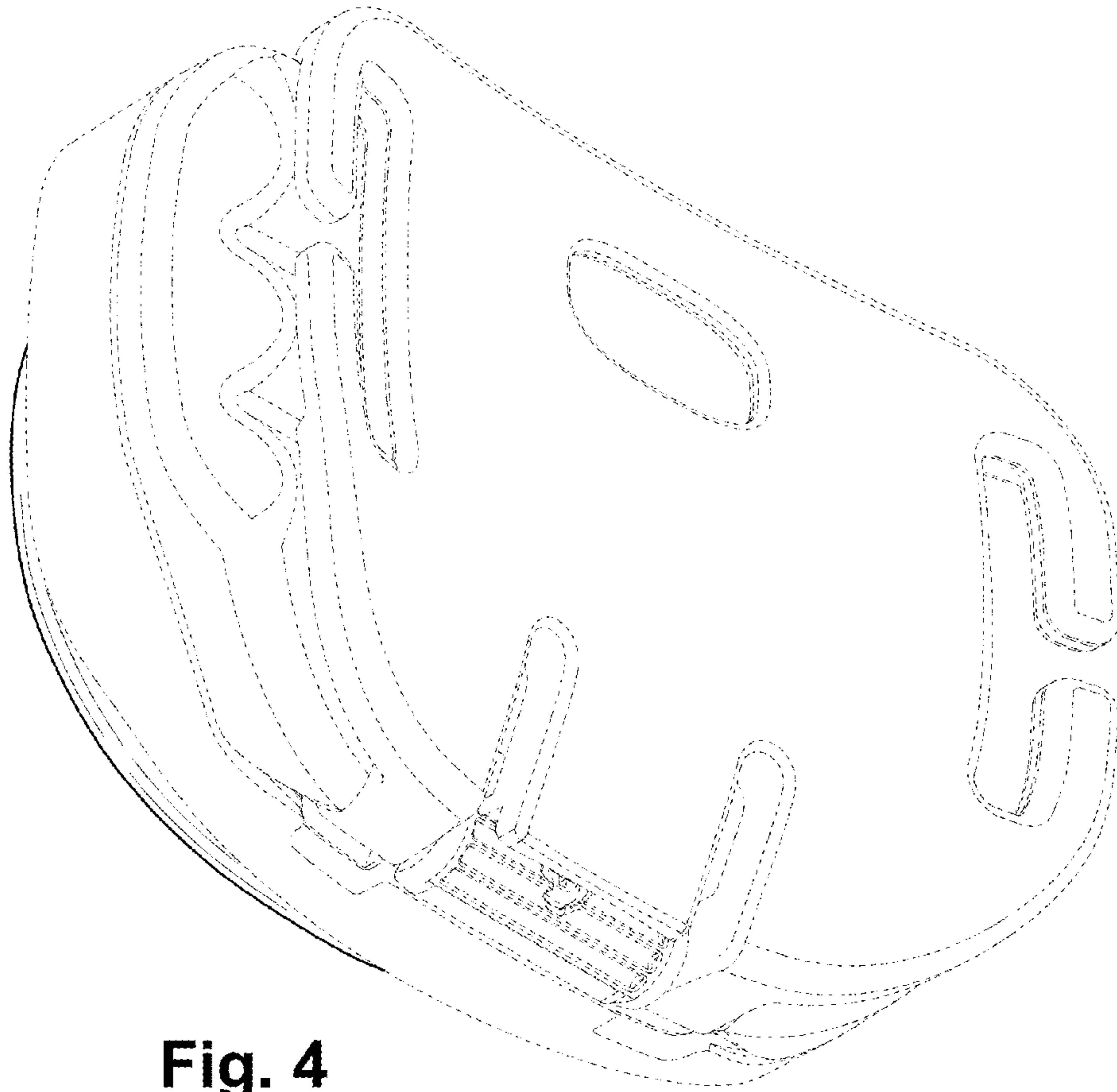


Fig. 4

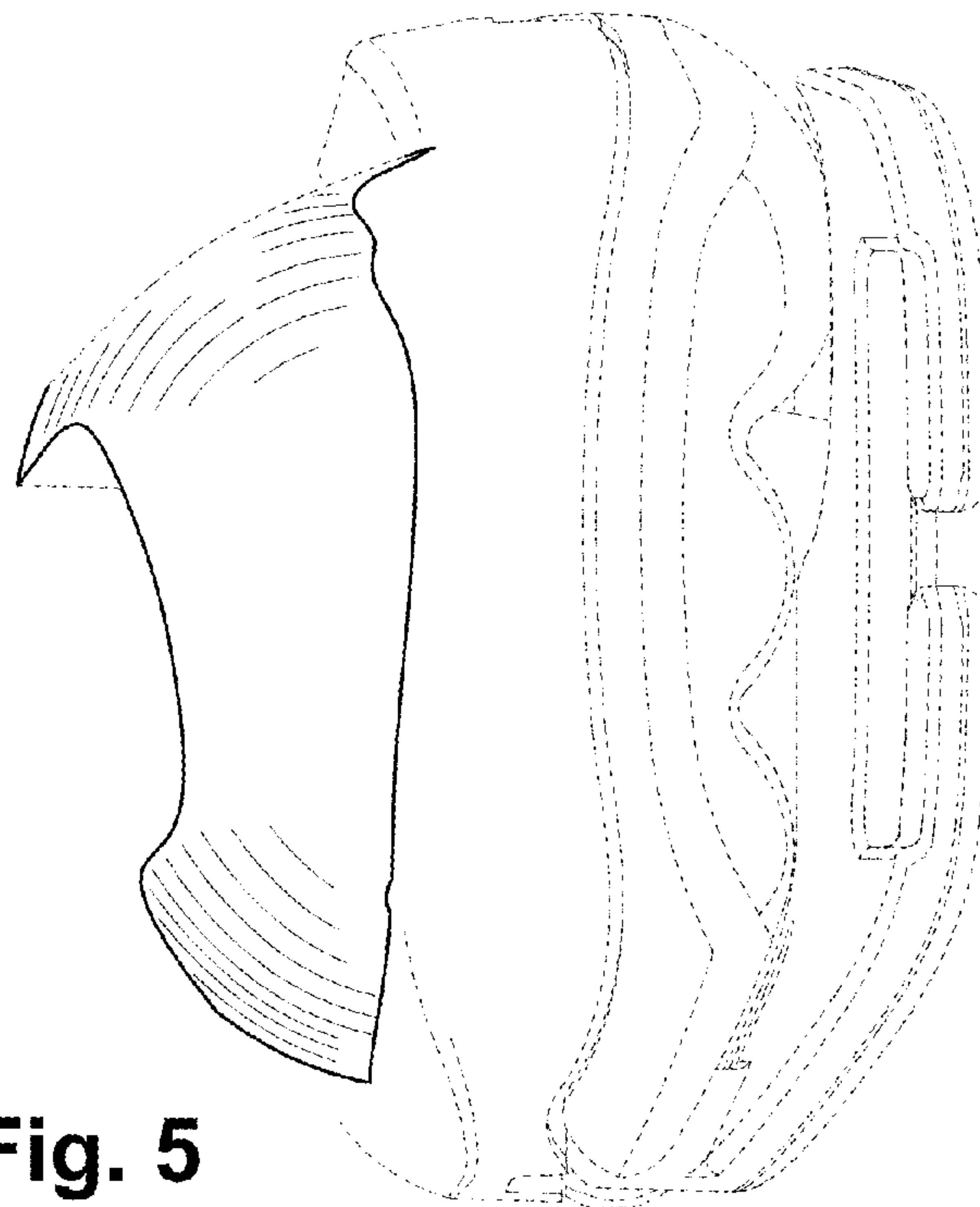


Fig. 5

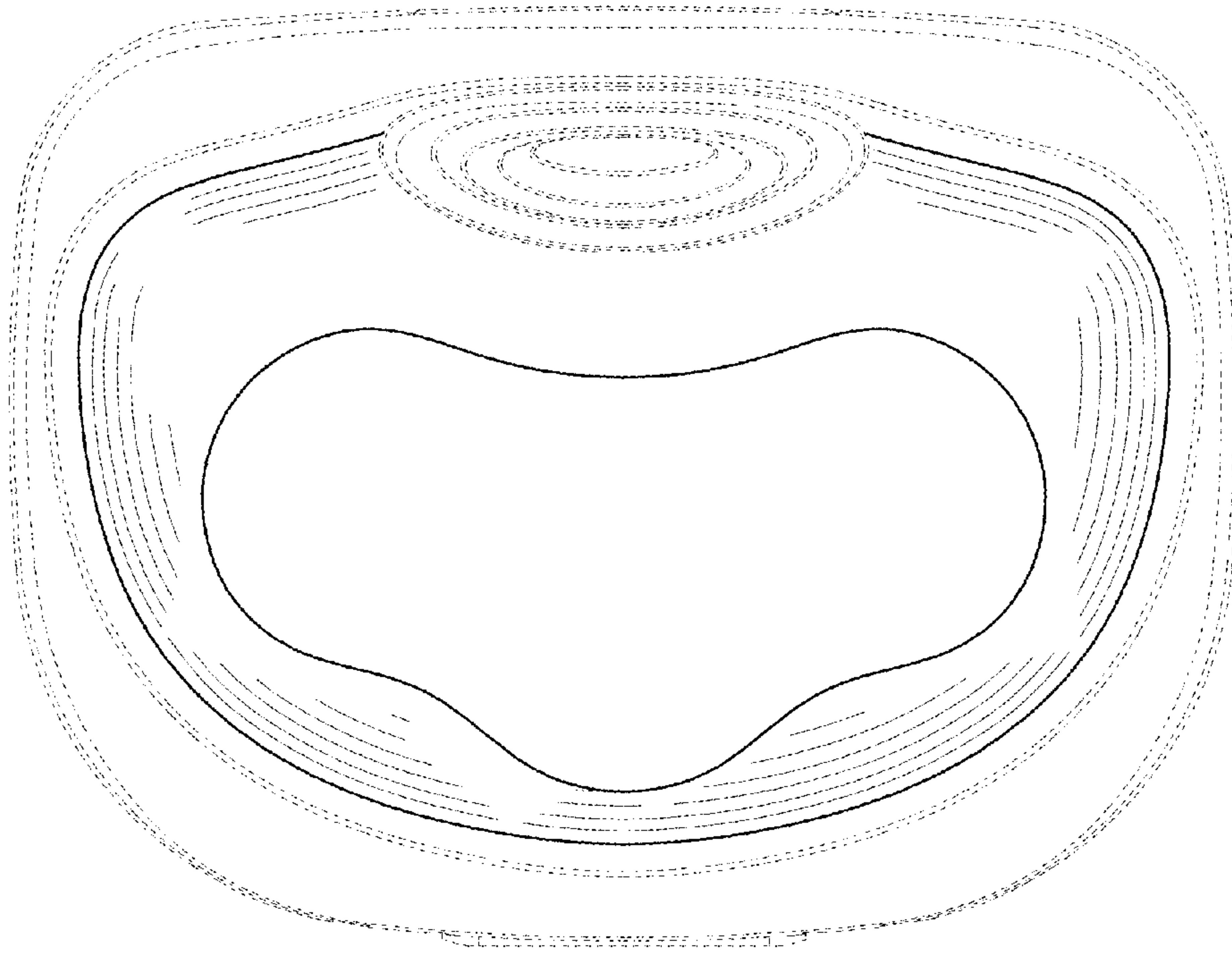


Fig. 6

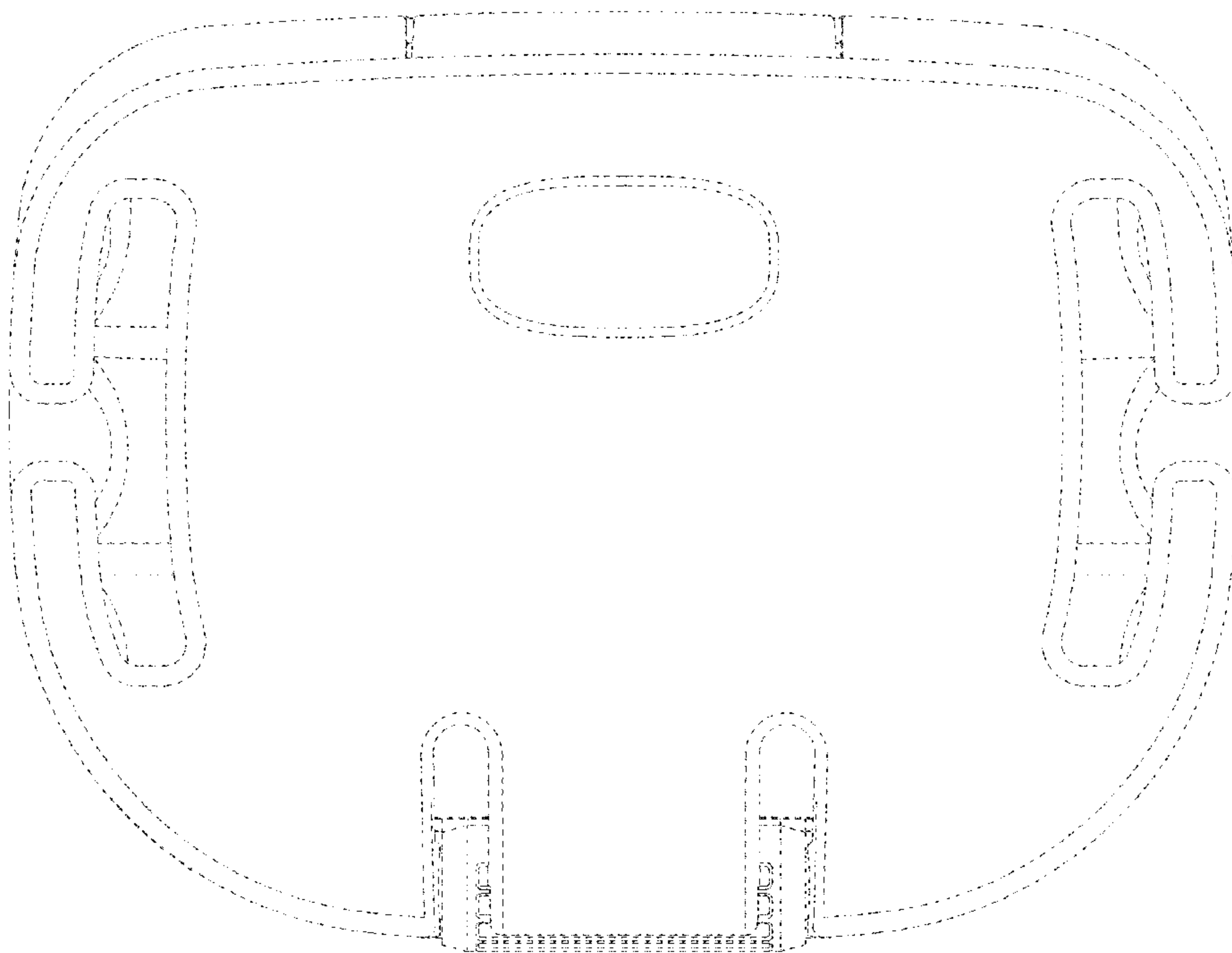


Fig. 7

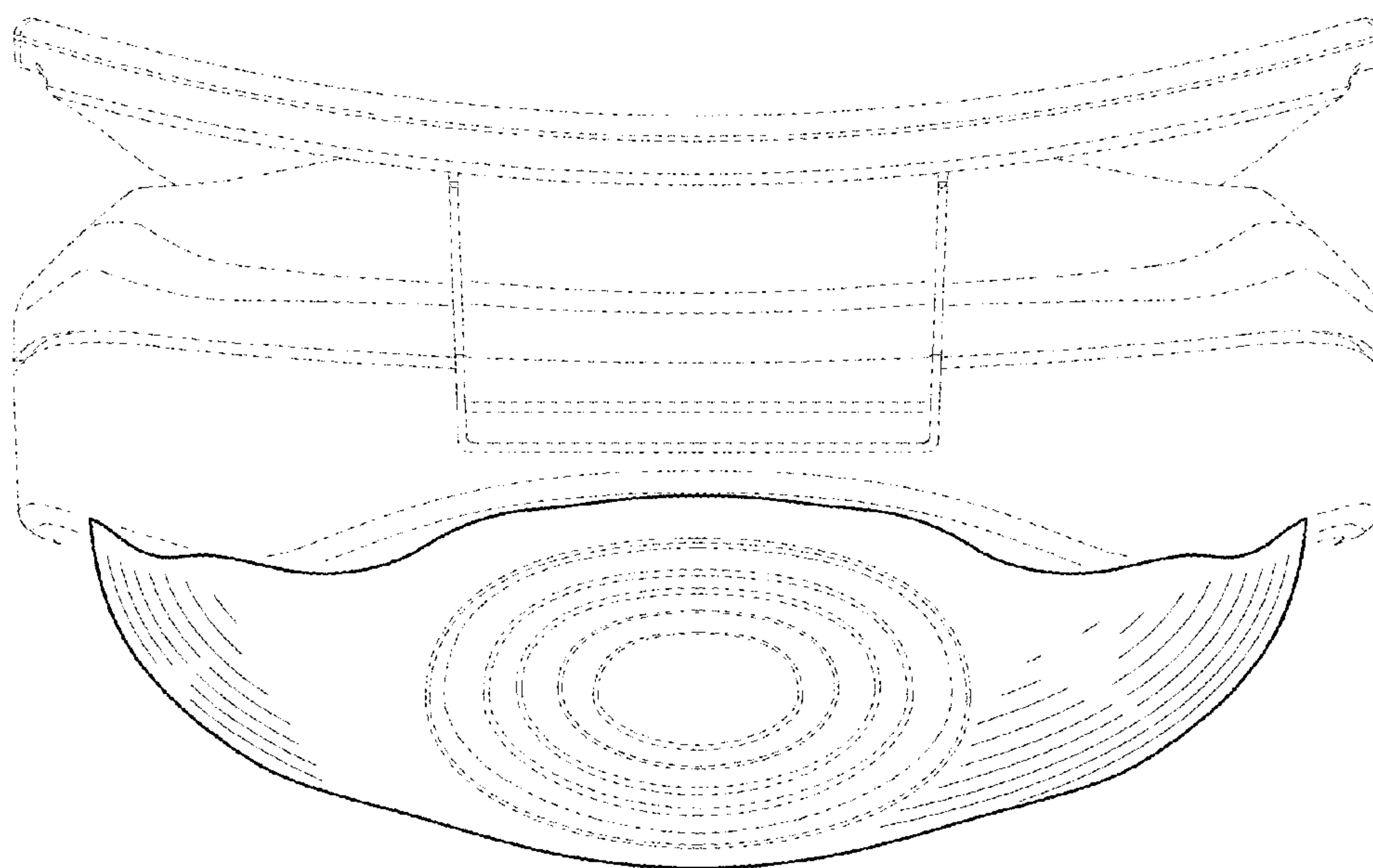


Fig. 8

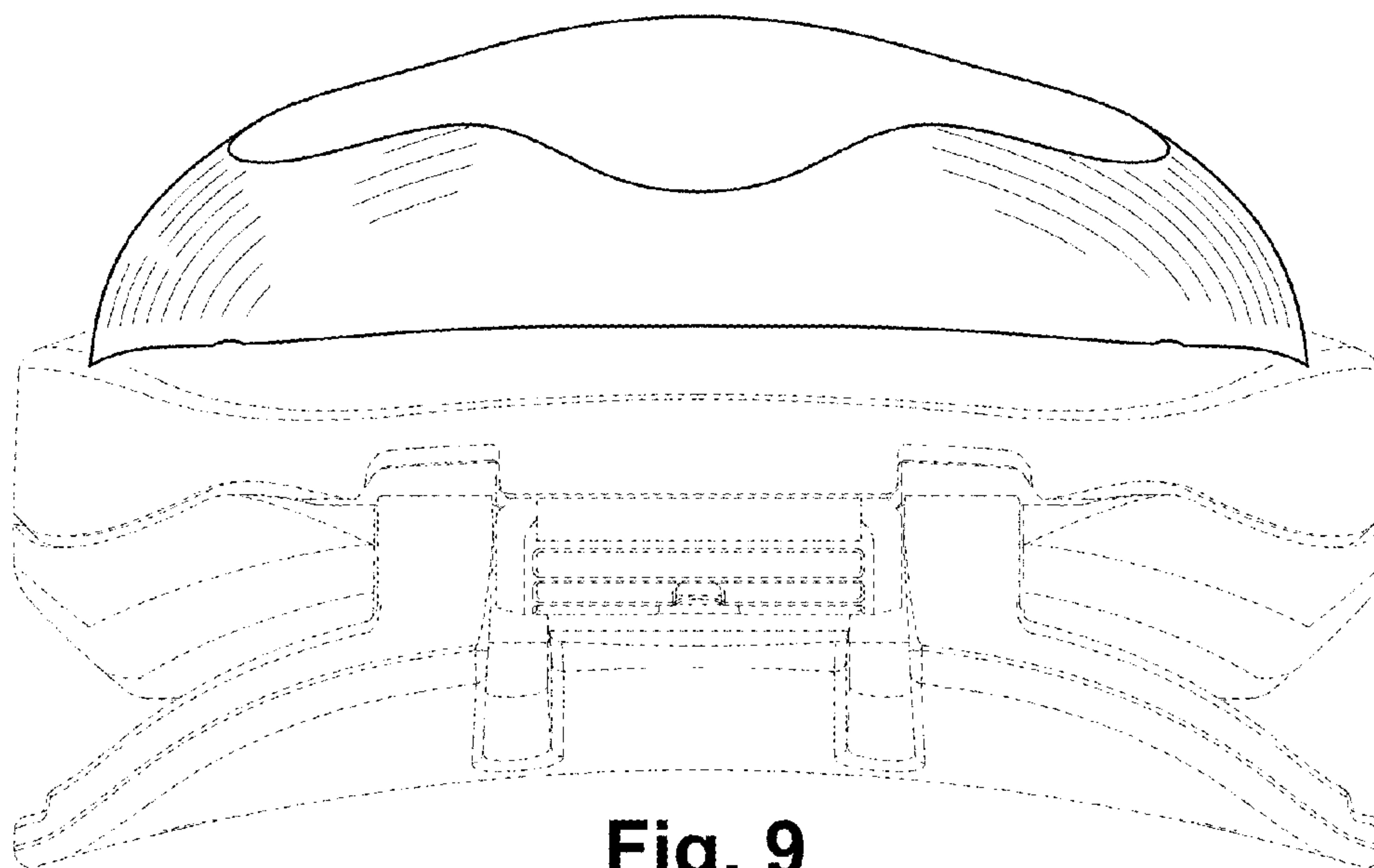


Fig. 9

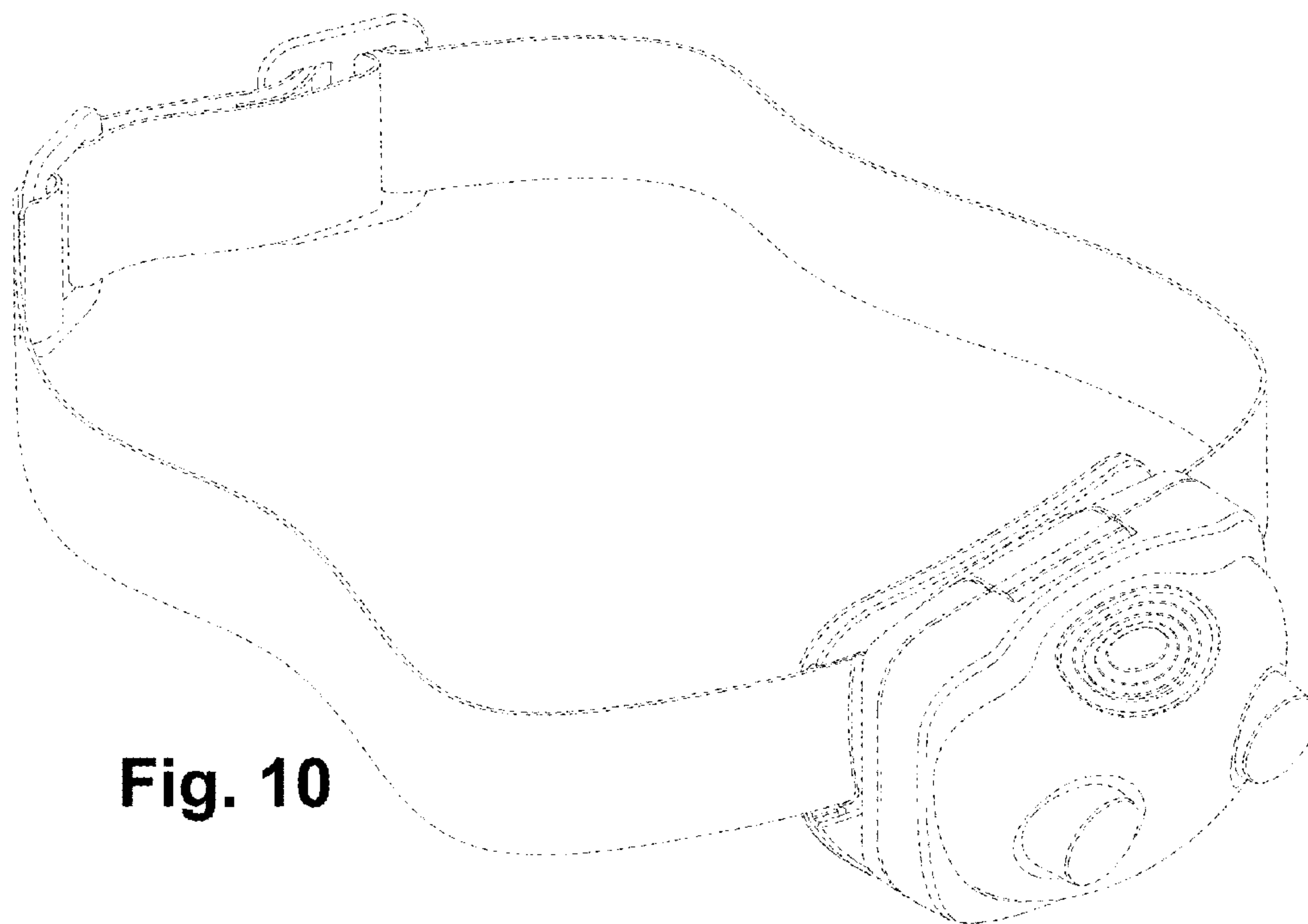


Fig. 10

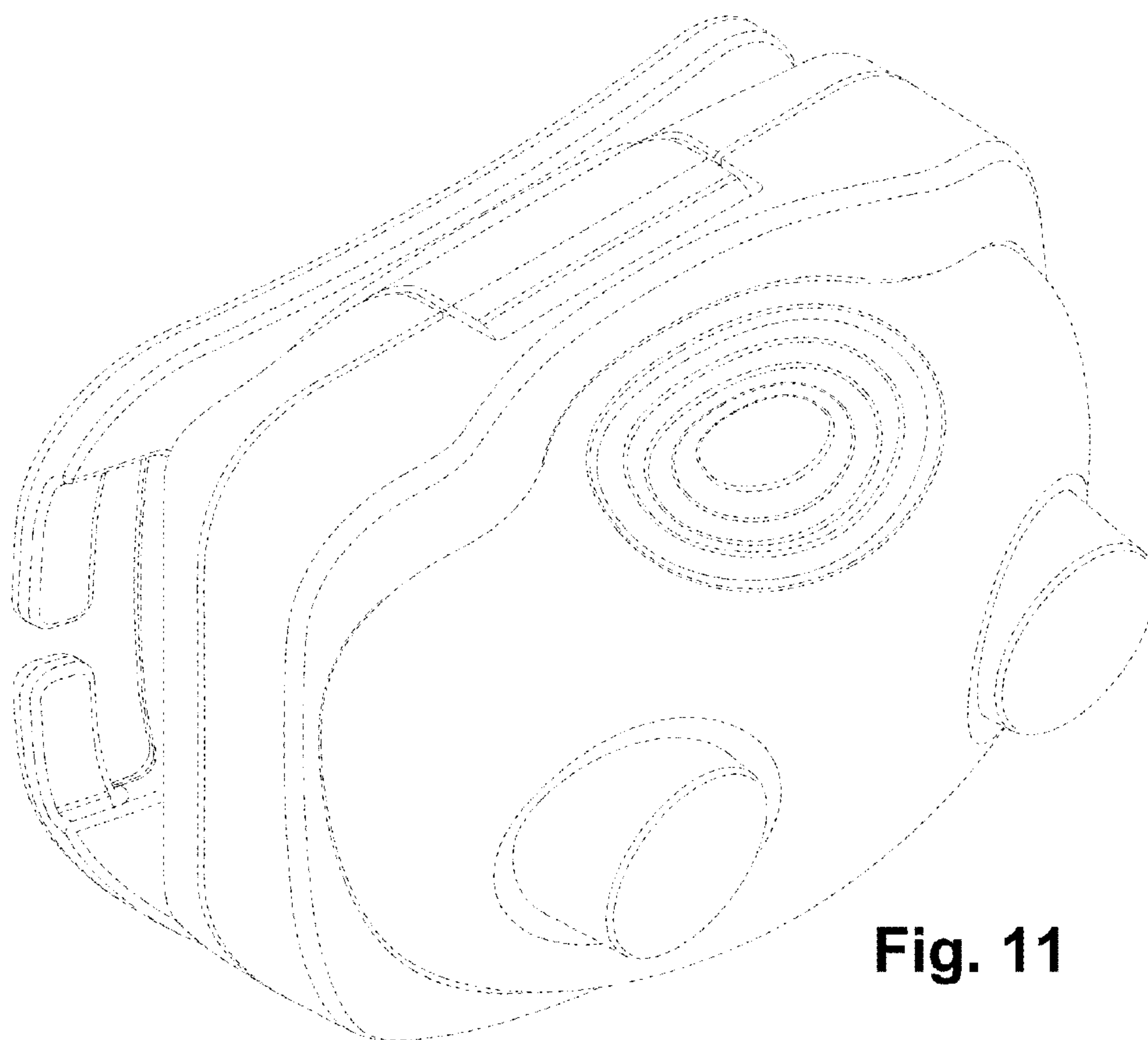


Fig. 11

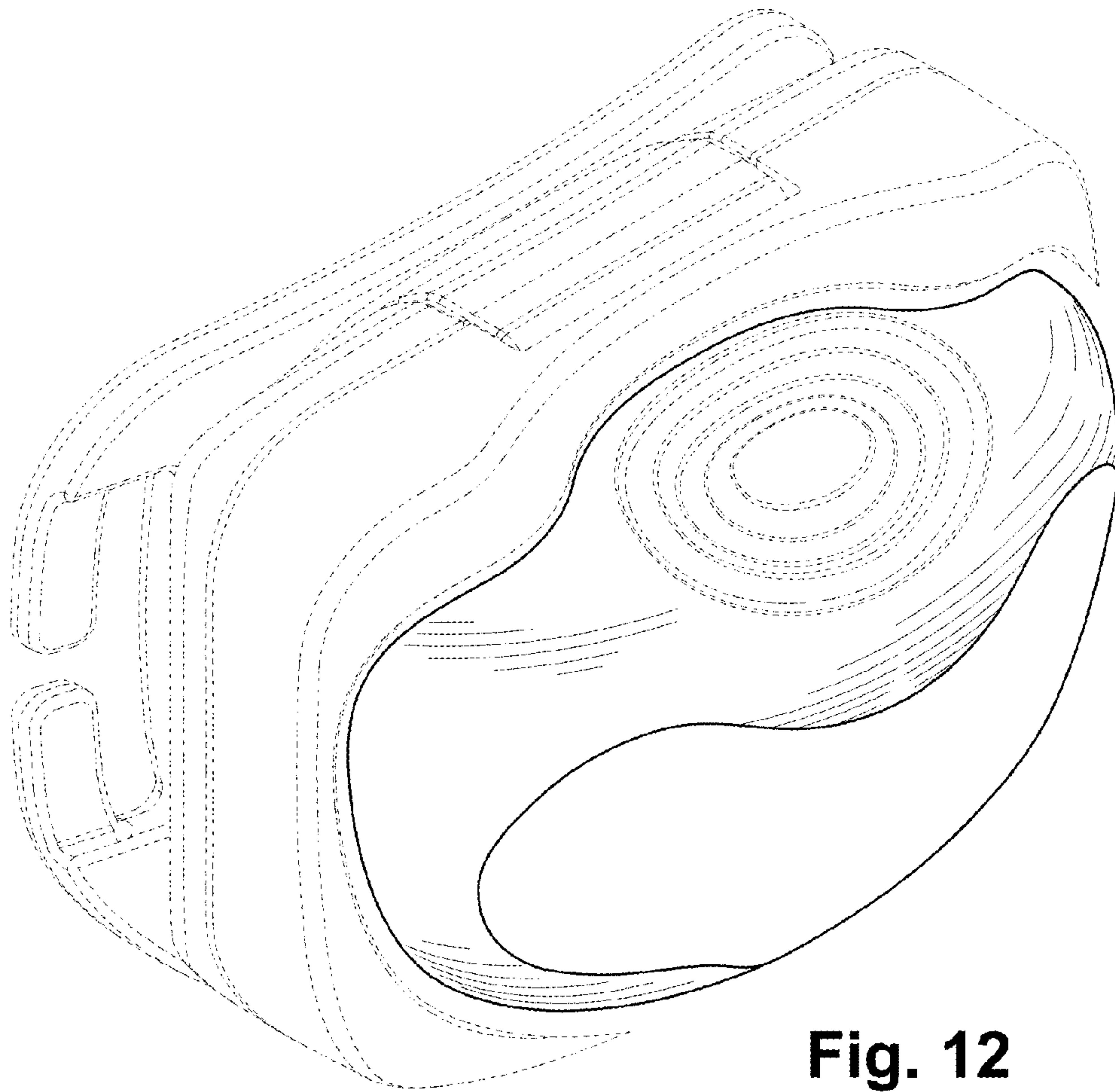


Fig. 12

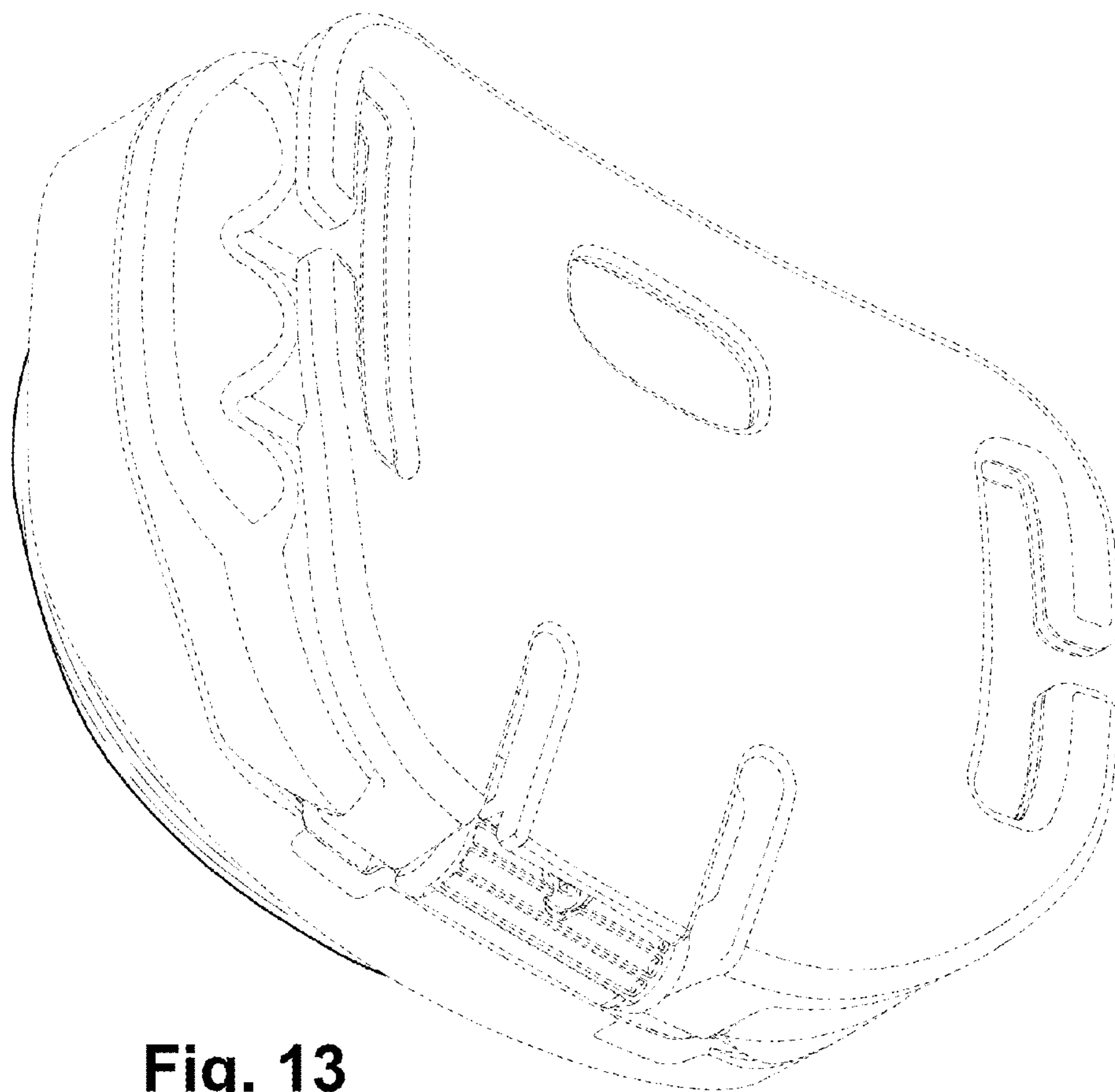


Fig. 13

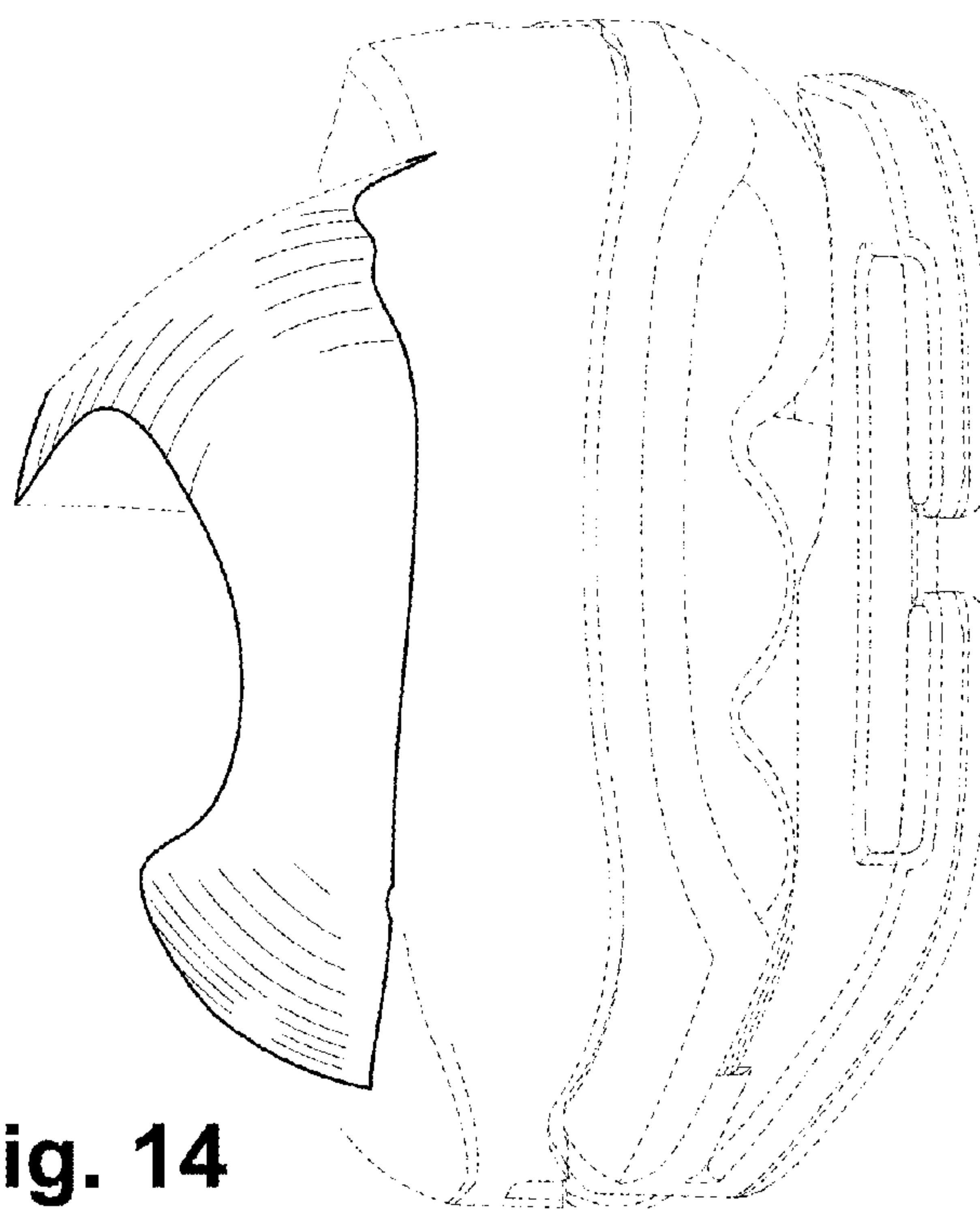


Fig. 14

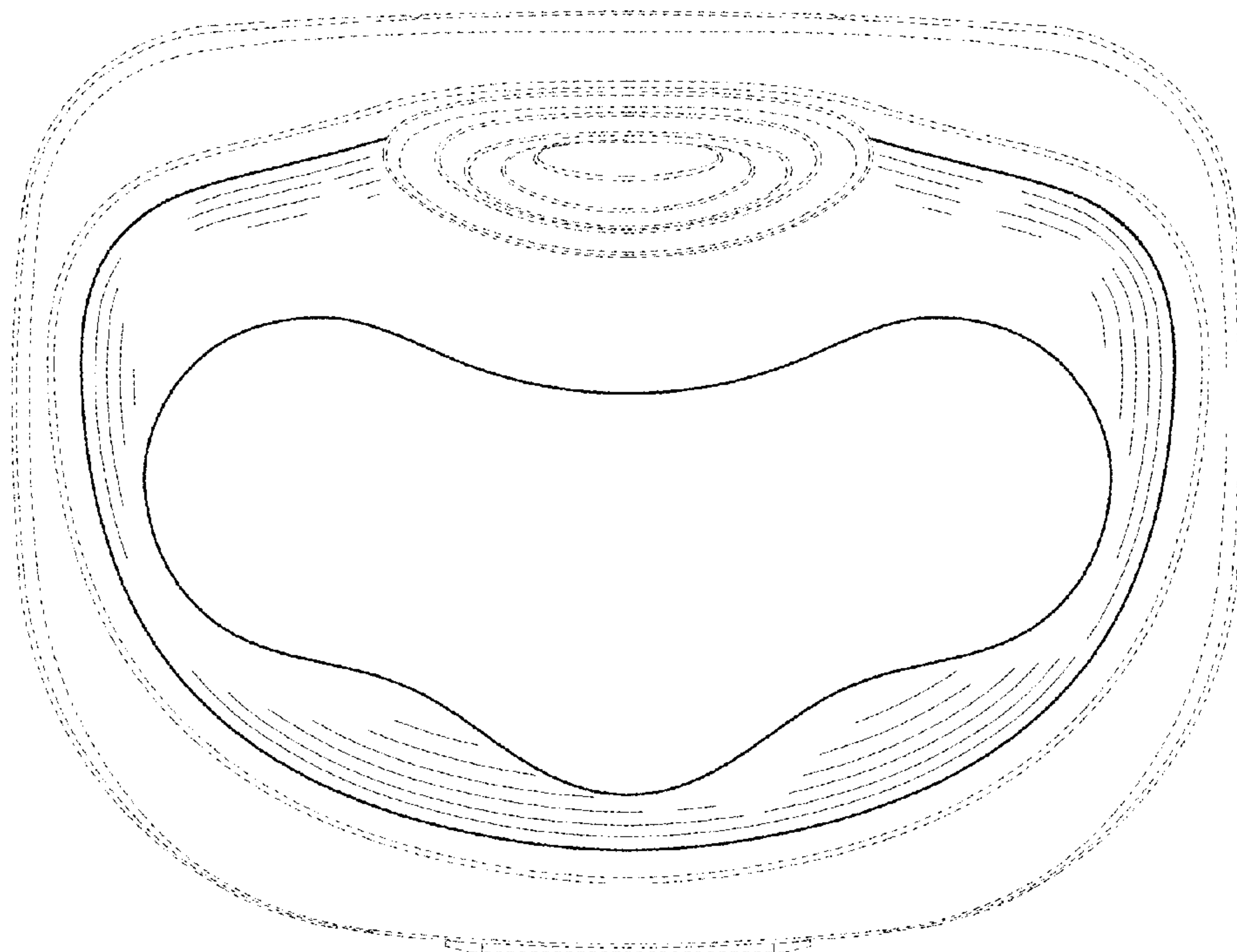


Fig. 15

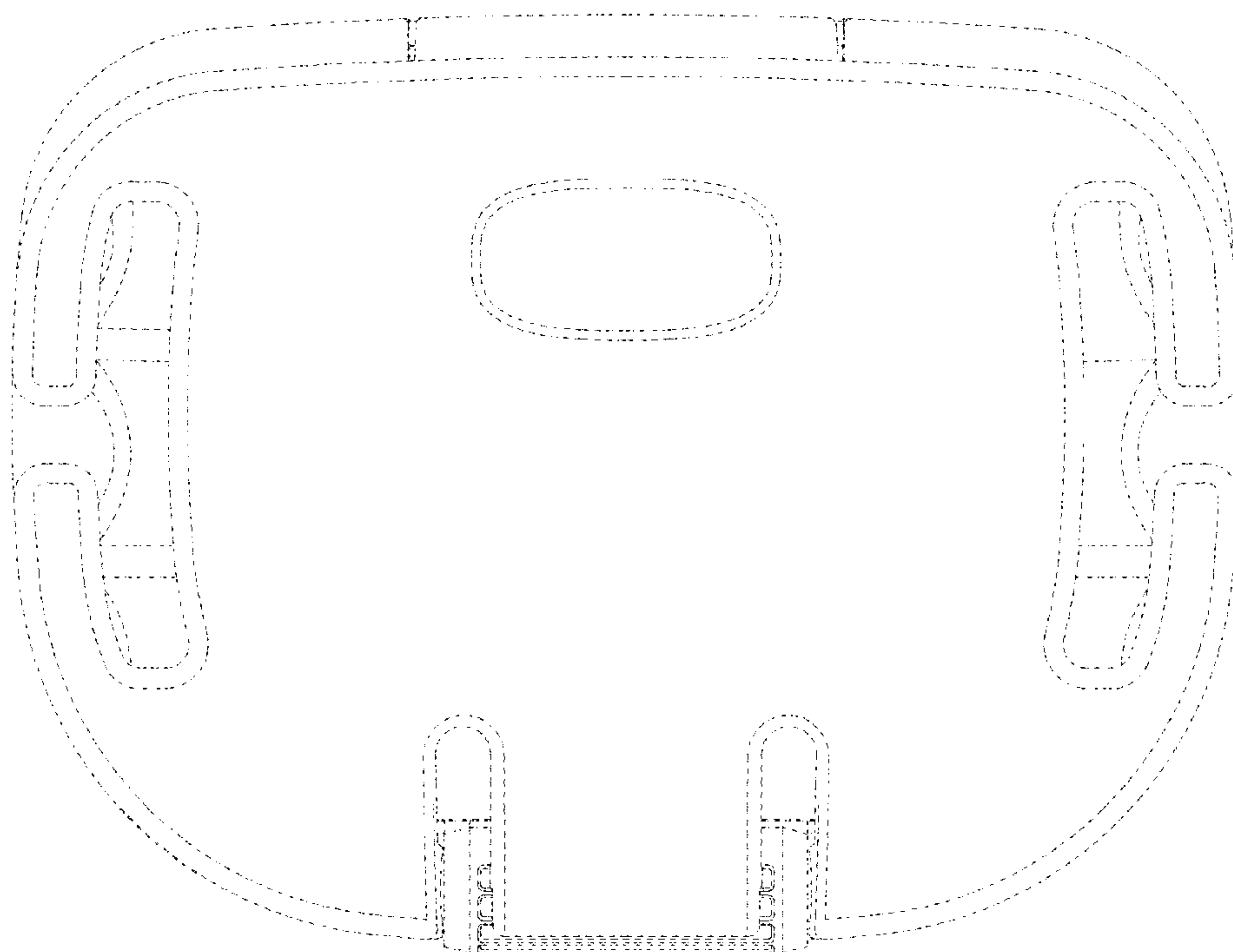


Fig. 16

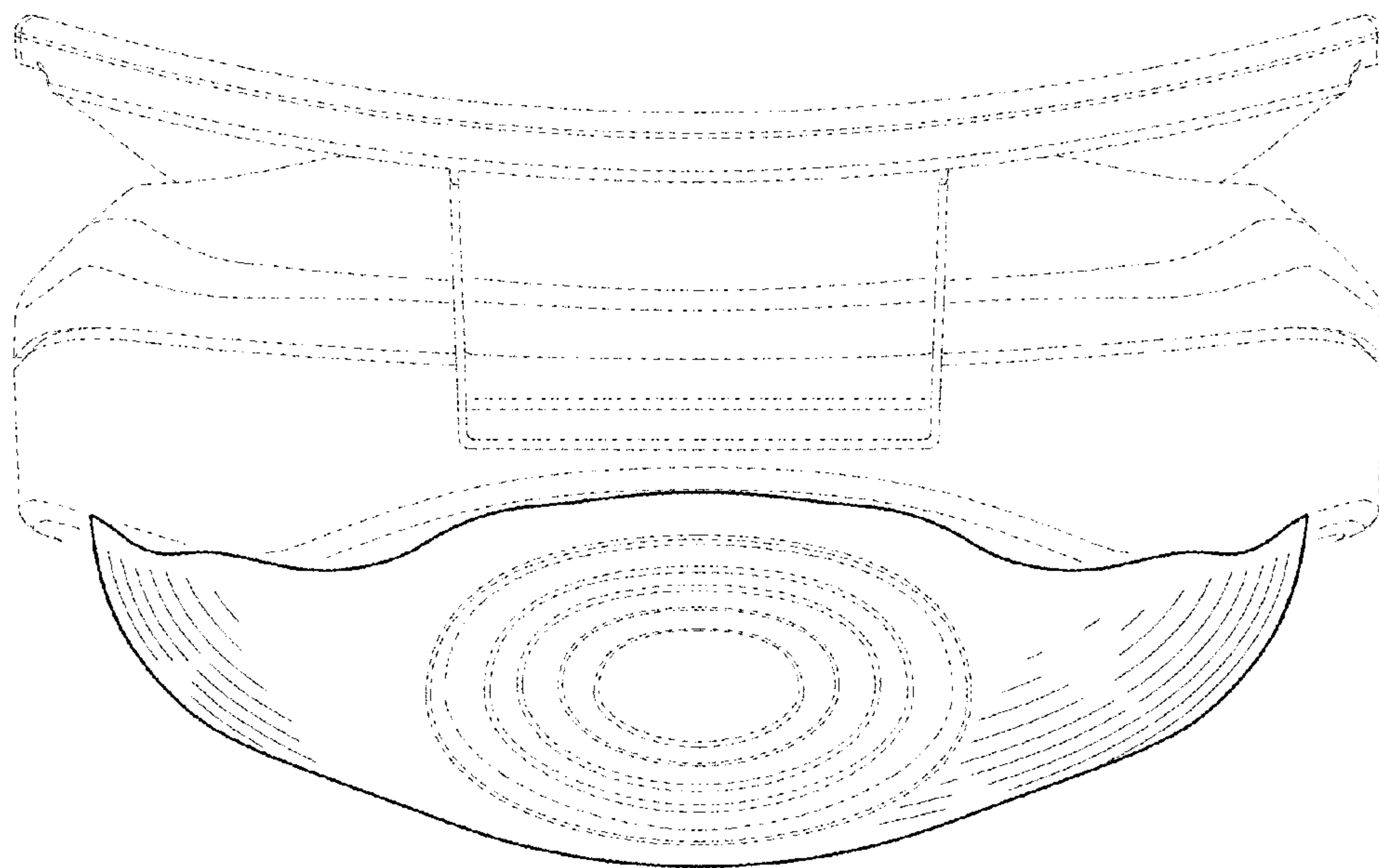


Fig. 17

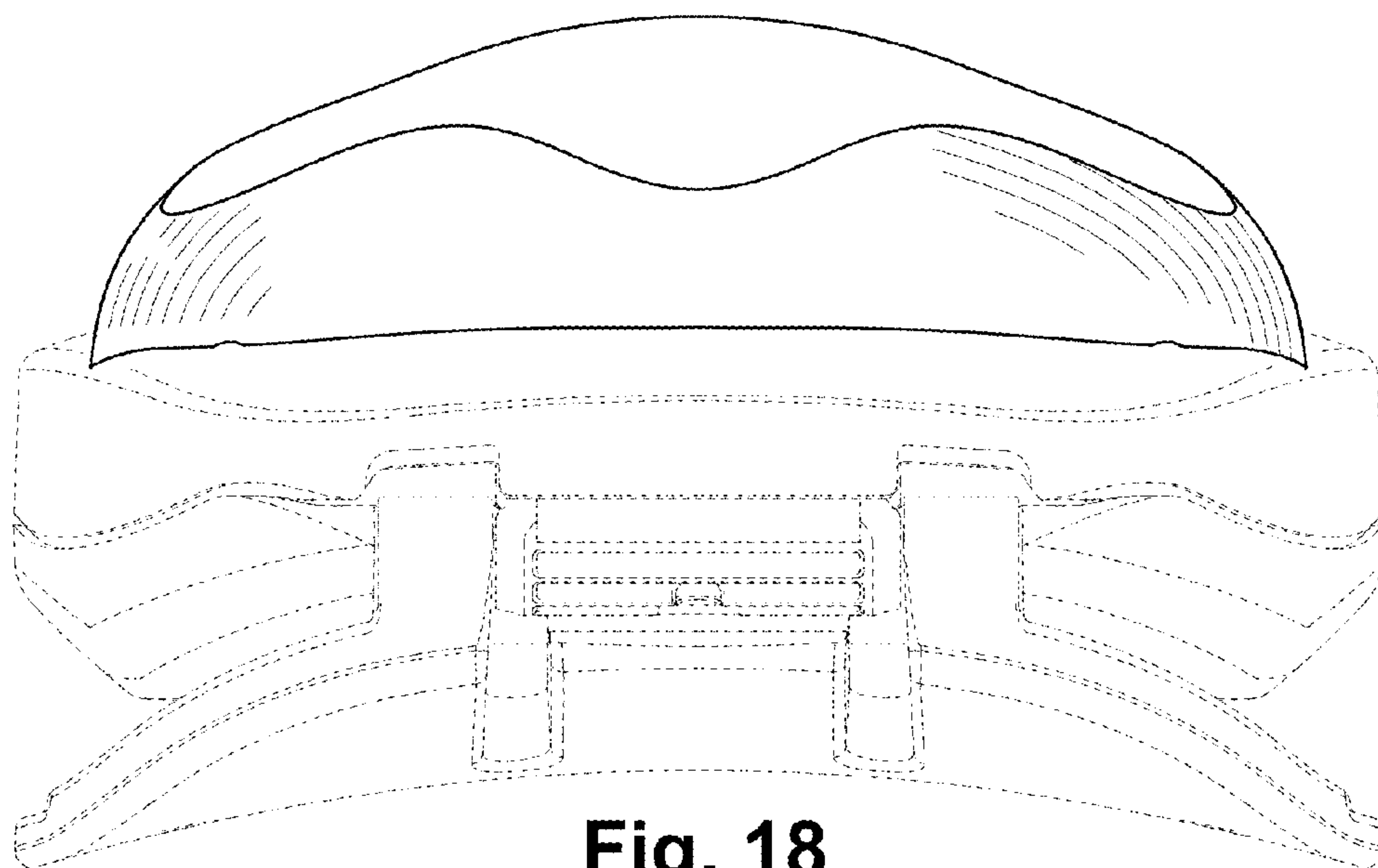


Fig. 18

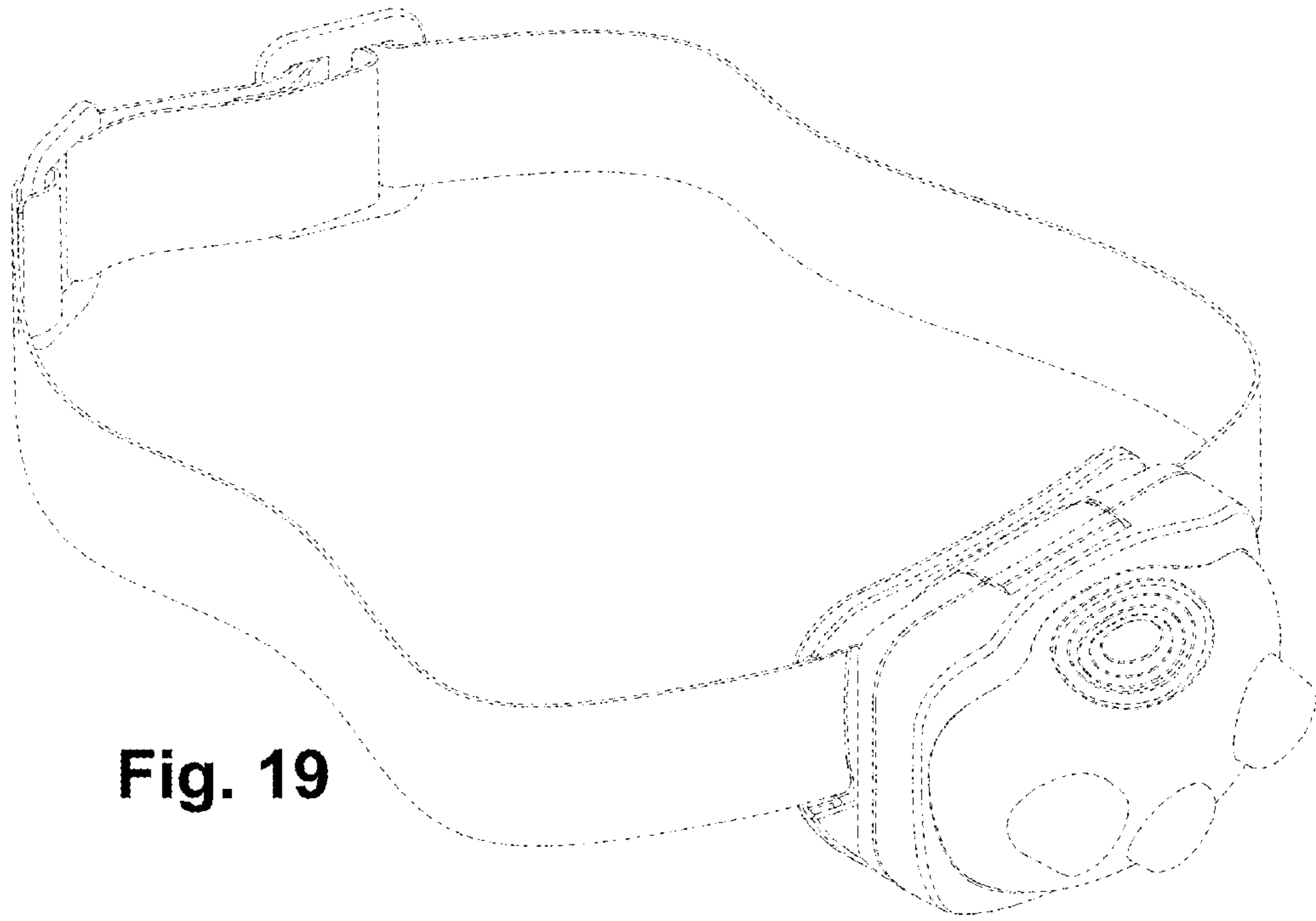


Fig. 19

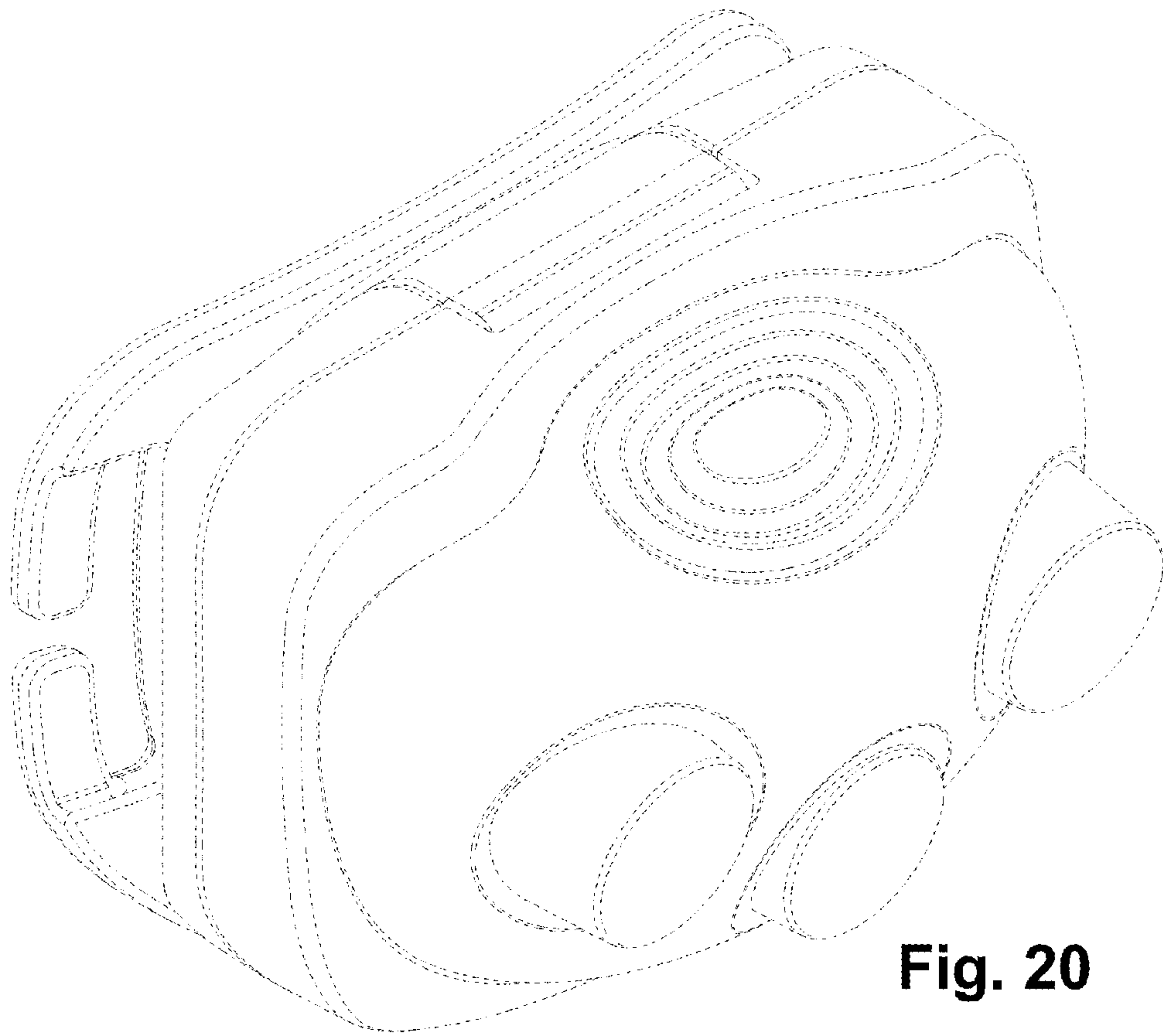


Fig. 20

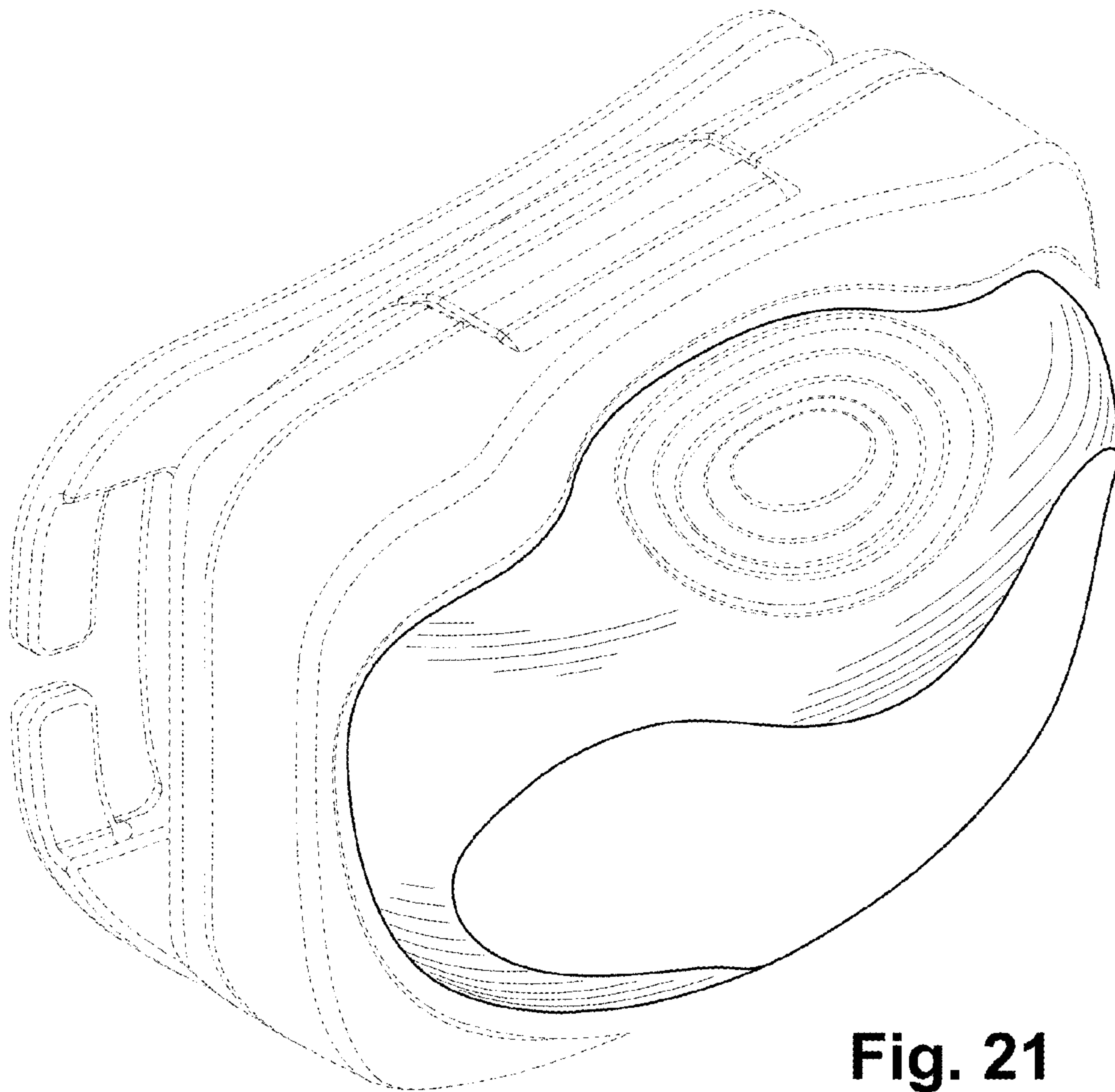


Fig. 21

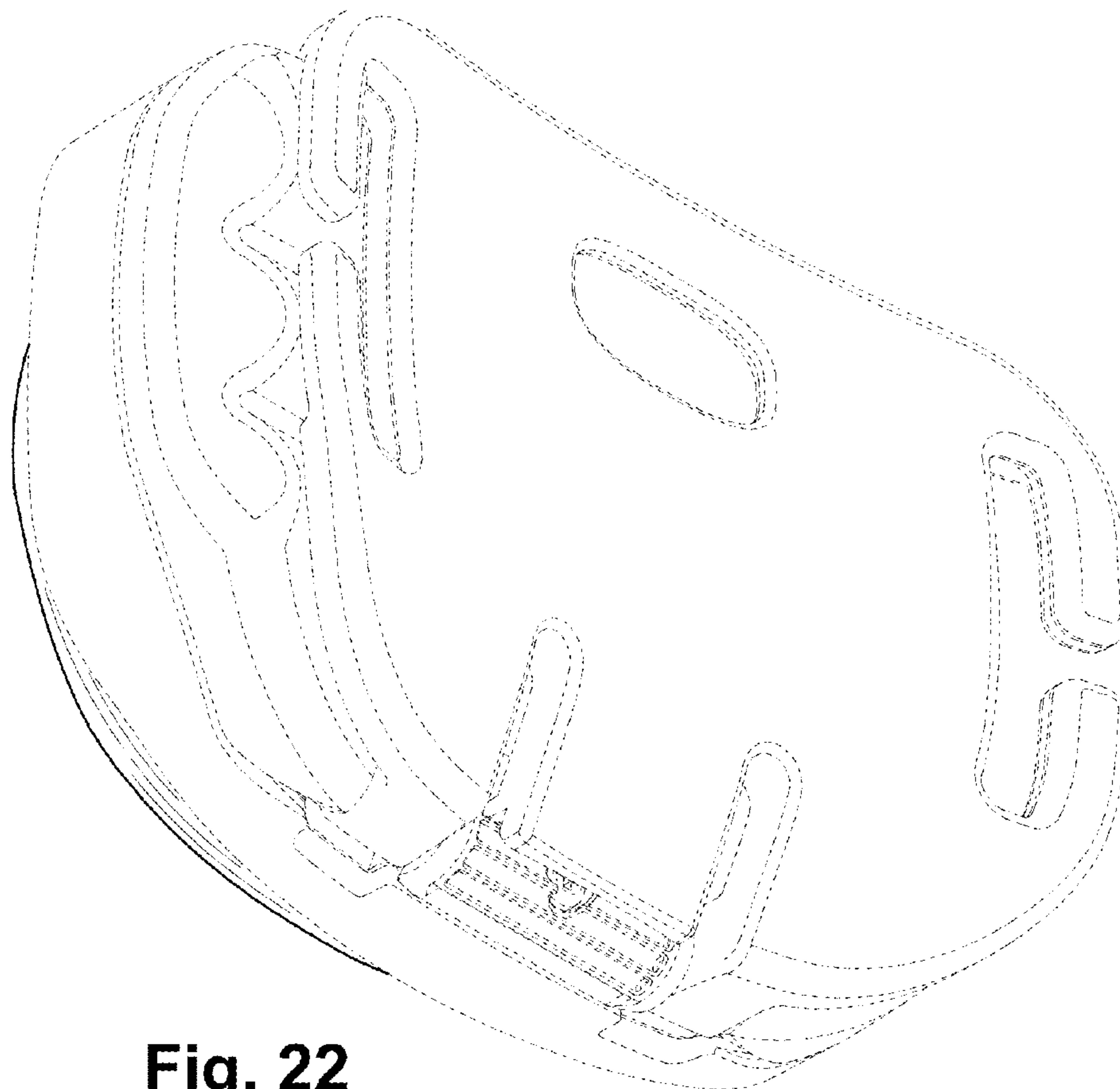


Fig. 22

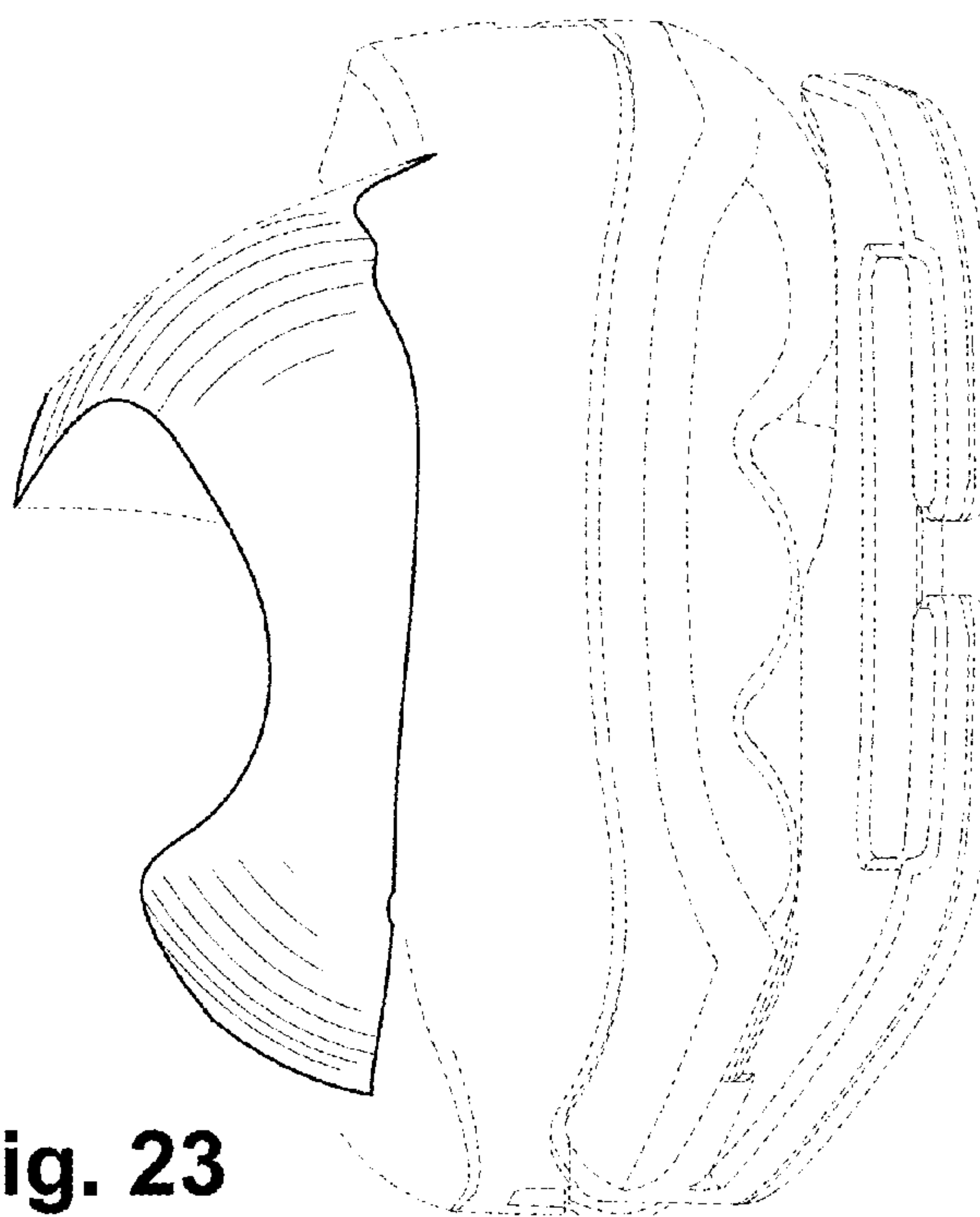


Fig. 23

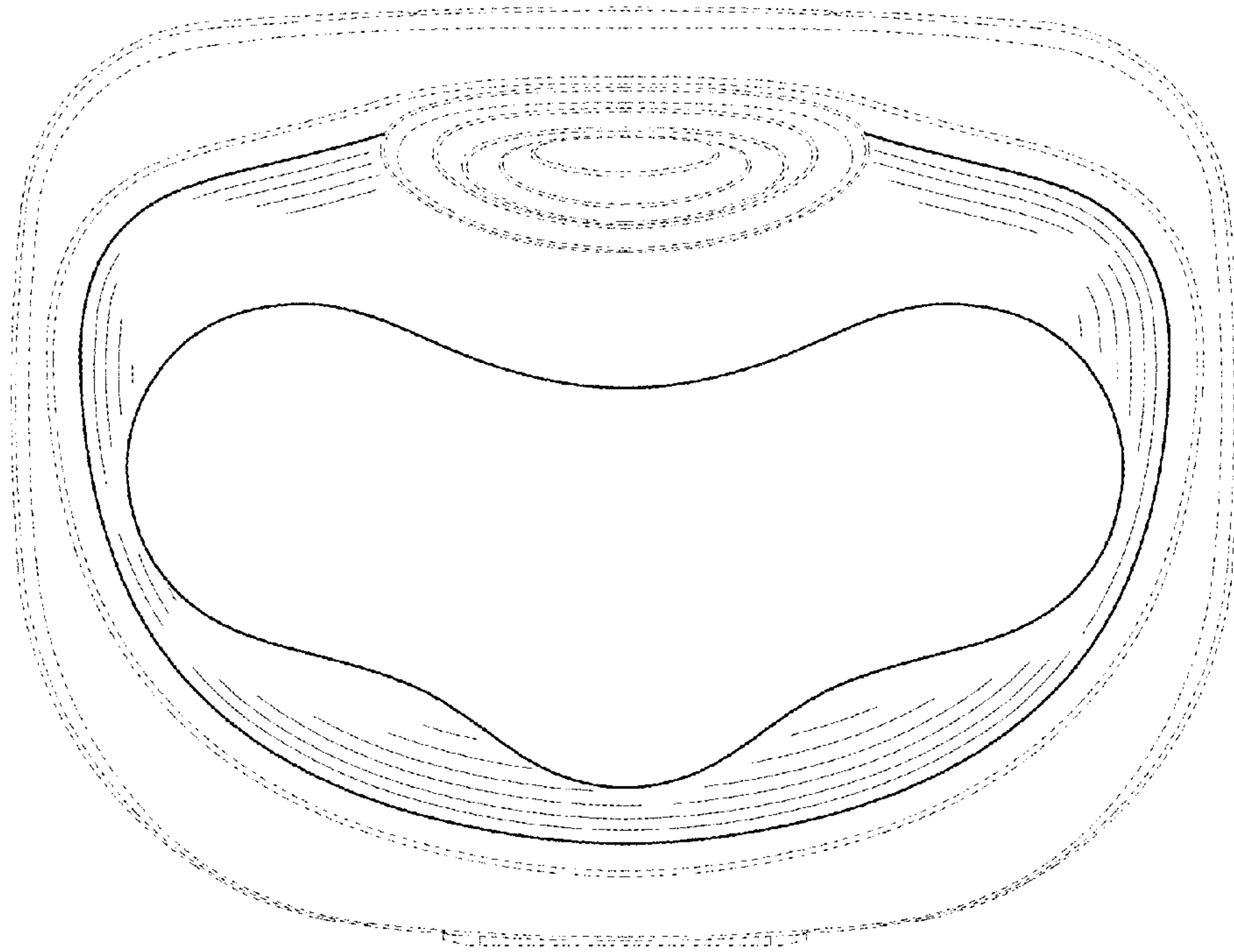


Fig. 24

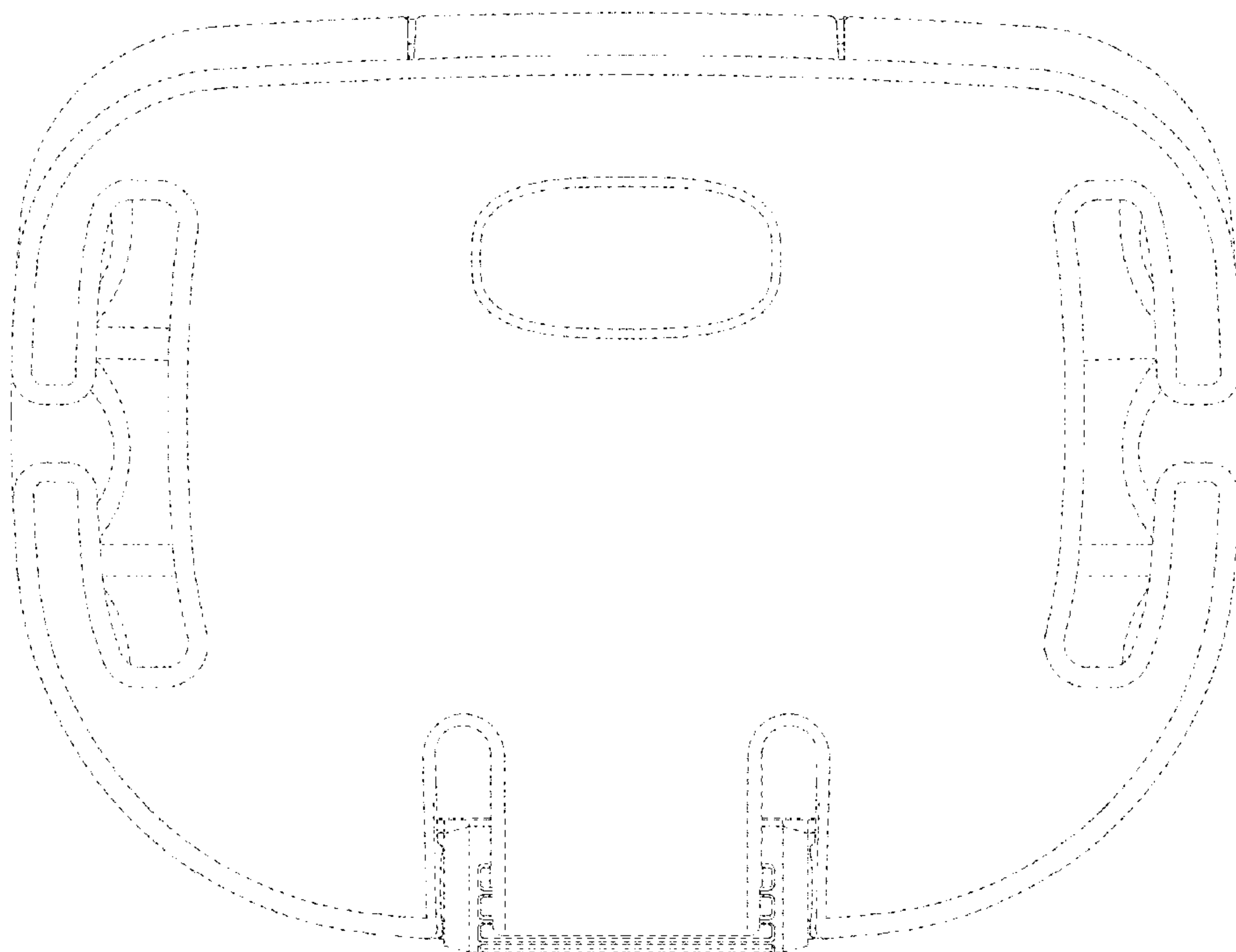


Fig. 25

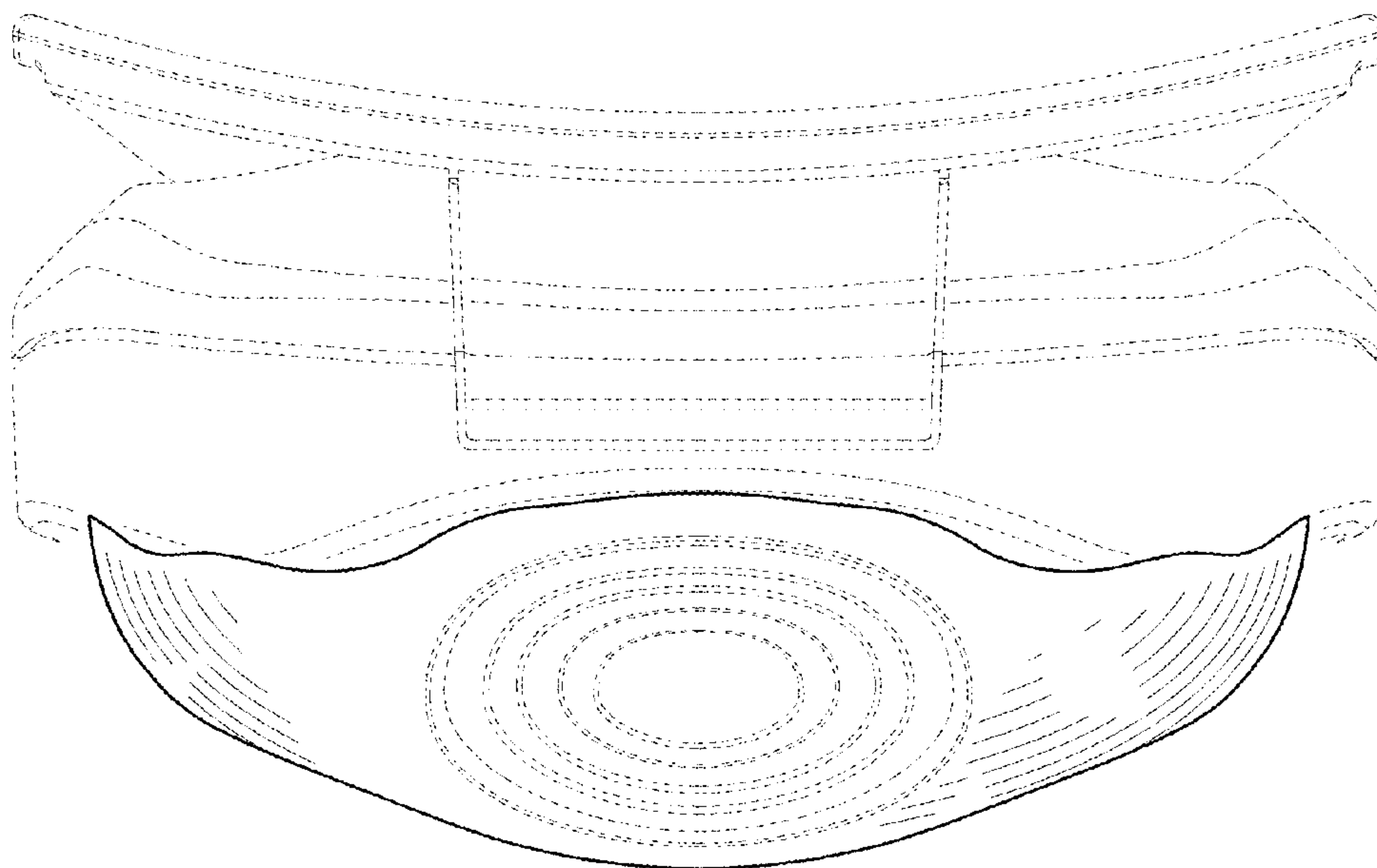


Fig. 26

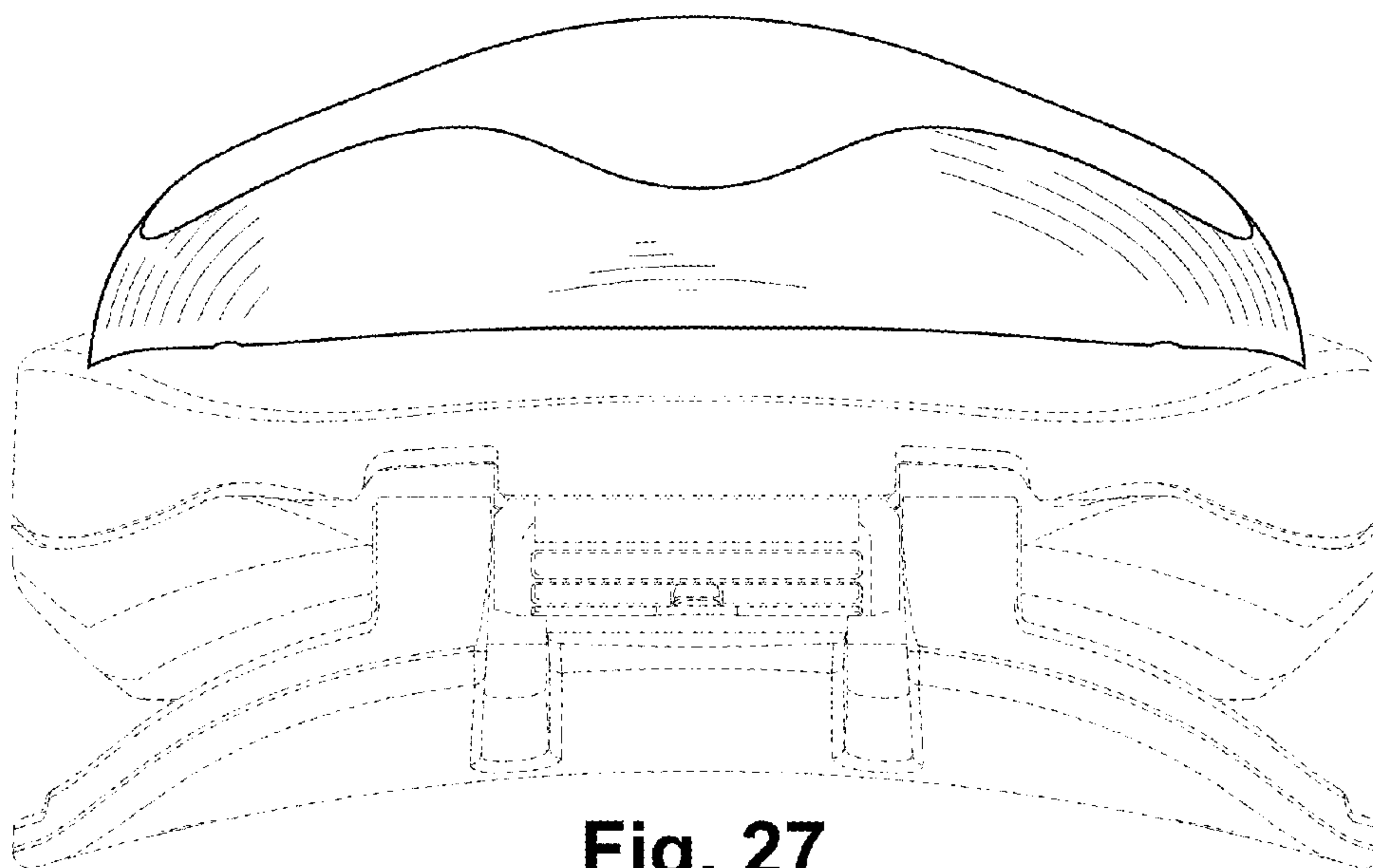


Fig. 27