



US00D752789S

(12) **United States Design Patent**  
**Kuwahara**

(10) **Patent No.:** **US D752,789 S**  
(45) **Date of Patent:** **\*\* Mar. 29, 2016**

(54) **REAR COMBINATION LAMP FOR AN AUTOMOBILE**

(71) Applicant: **Nissan Motor Co., Ltd.**, Yokohama, Kanagawa (JP)

(72) Inventor: **Hirotda Kuwahara**, Kanagawa (JP)

(73) Assignee: **Nissan Motor Co., Ltd.**, Yokohama (JP)

(\*\*) Term: **14 Years**

(21) Appl. No.: **29/513,052**

(22) Filed: **Dec. 24, 2014**

(51) **LOC (10) Cl.** ..... **26-06**

(52) **U.S. Cl.**  
USPC ..... **D26/28**

(58) **Field of Classification Search**  
USPC ..... D26/28-36; 362/459-468, 475-478, 362/485-487  
CPC ..... F21S 48/00; F21S 48/10; F21S 48/115; F21S 48/1233; F21S 48/1266; F21S 48/1388; F21S 48/2268; F21V 21/04  
See application file for complete search history.

(56) **References Cited**

**U.S. PATENT DOCUMENTS**

D541,445 S \* 4/2007 Lin ..... D26/28  
D549,363 S \* 8/2007 Pfeiffer ..... D26/28

(Continued)

**FOREIGN PATENT DOCUMENTS**

EM 000218946-0004 8/2004  
EM 000218946-0005 8/2004  
EM 000218946-0008 8/2004

(Continued)

*Primary Examiner* — Marcus Jackson

(74) *Attorney, Agent, or Firm* — Global IP Counselors, LLP

(57) **CLAIM**

The ornamental design for a rear combination lamp for an automobile, as shown and described.

**DESCRIPTION**

FIG. 1 is a front elevational view of a rear combination lamp for an automobile in accordance with a first embodiment of our new design;

FIG. 2 is a rear elevational view of the rear combination lamp in accordance with the first embodiment of our new design of FIG. 1;

FIG. 3 is a top plan view of the rear combination lamp in accordance with the first embodiment of our new design of FIGS. 1 and 2;

FIG. 4 is a bottom plan view of the rear combination lamp in accordance with the first embodiment of our new design of FIGS. 1 to 3;

FIG. 5 is a right side elevational view of the rear combination lamp in accordance with the first embodiment of our new design of FIGS. 1 to 4;

FIG. 6 is a left side elevational view of the rear combination lamp in accordance with the first embodiment of our new design of FIGS. 1 to 5; and,

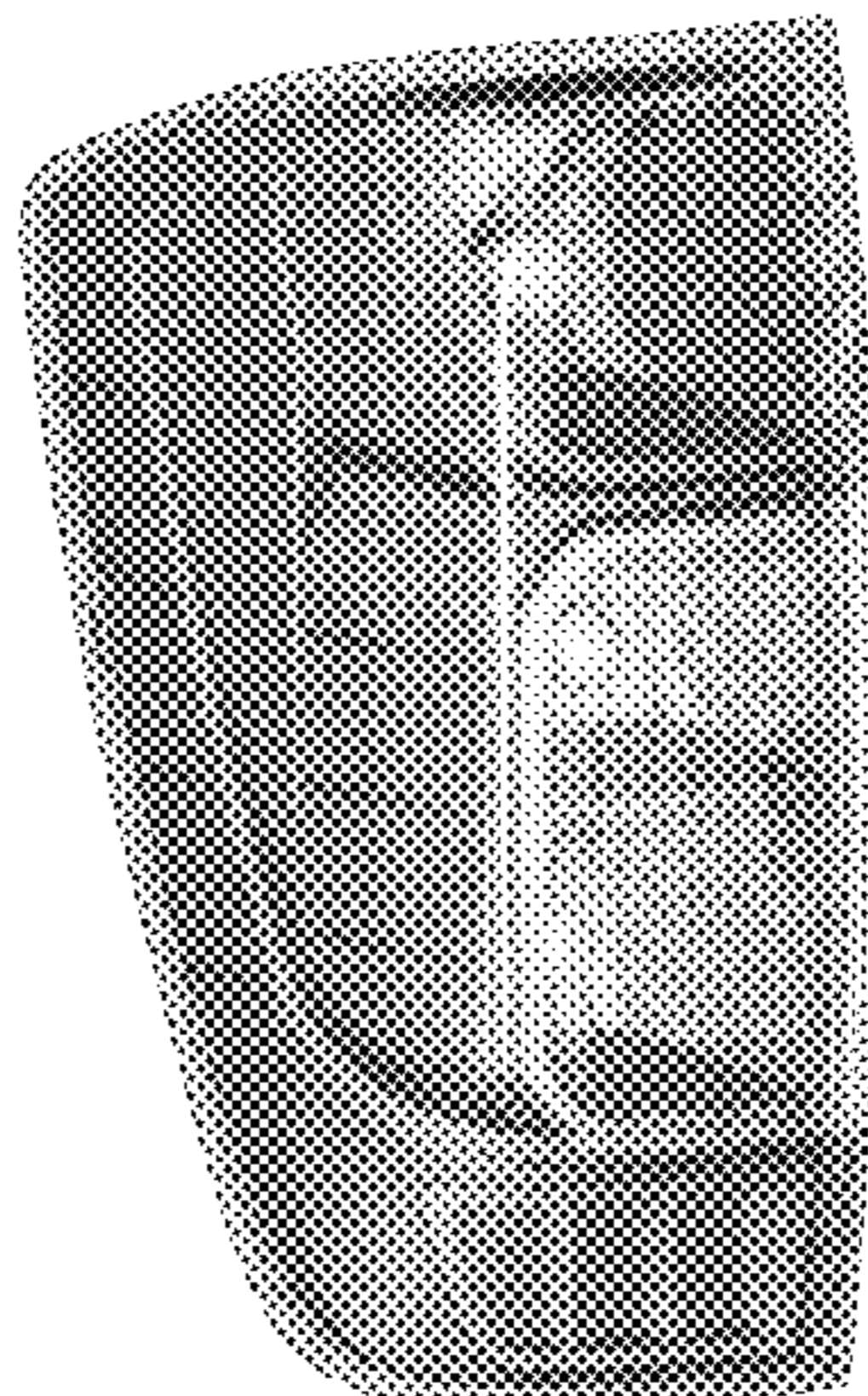
FIG. 7 is a front side perspective view of the rear combination lamp in accordance with the first embodiment of our new design of FIGS. 1 to 6.

The rear elevational view of FIG. 2 and the left side elevational view of FIG. 6 form no part of the claimed design. In addition, the rear combination lamp is configured to be mounted to an automobile. The mounting structure and support structure, visible in FIGS. 1 to 7, of the rear combination lamp form no part of the claimed design since the mounting structure and support structure are hidden when the rear combination lamp is mounted to the automobile.

A second embodiment of our new design is identical to the first embodiment. In addition, in the second embodiment, the appearance of the rear side structures and inside side structures of the rear combination lamp as seen in FIGS. 3-6 is for purpose of illustrating the boundaries of the exterior surface of the outside of the rear combination lamp, and forms no part of the claimed design.

Our new design includes the mirror image of the rear combination lamp shown in FIGS. 1 to 7.

**1 Claim, 7 Drawing Sheets**



(56)

**References Cited**

**FOREIGN PATENT DOCUMENTS**

**U.S. PATENT DOCUMENTS**

D552,769 S \* 10/2007 Leclercq ..... D26/28  
D553,269 S \* 10/2007 Pfeiffer ..... D26/28  
D574,524 S \* 8/2008 Tomatsu ..... D26/28  
D605,793 S \* 12/2009 Weil ..... D26/28

JP D1389681 S 6/2010  
JP D1403151 S 12/2010  
JP D1445518 S 7/2012  
JP D1498624 S 6/2014

\* cited by examiner

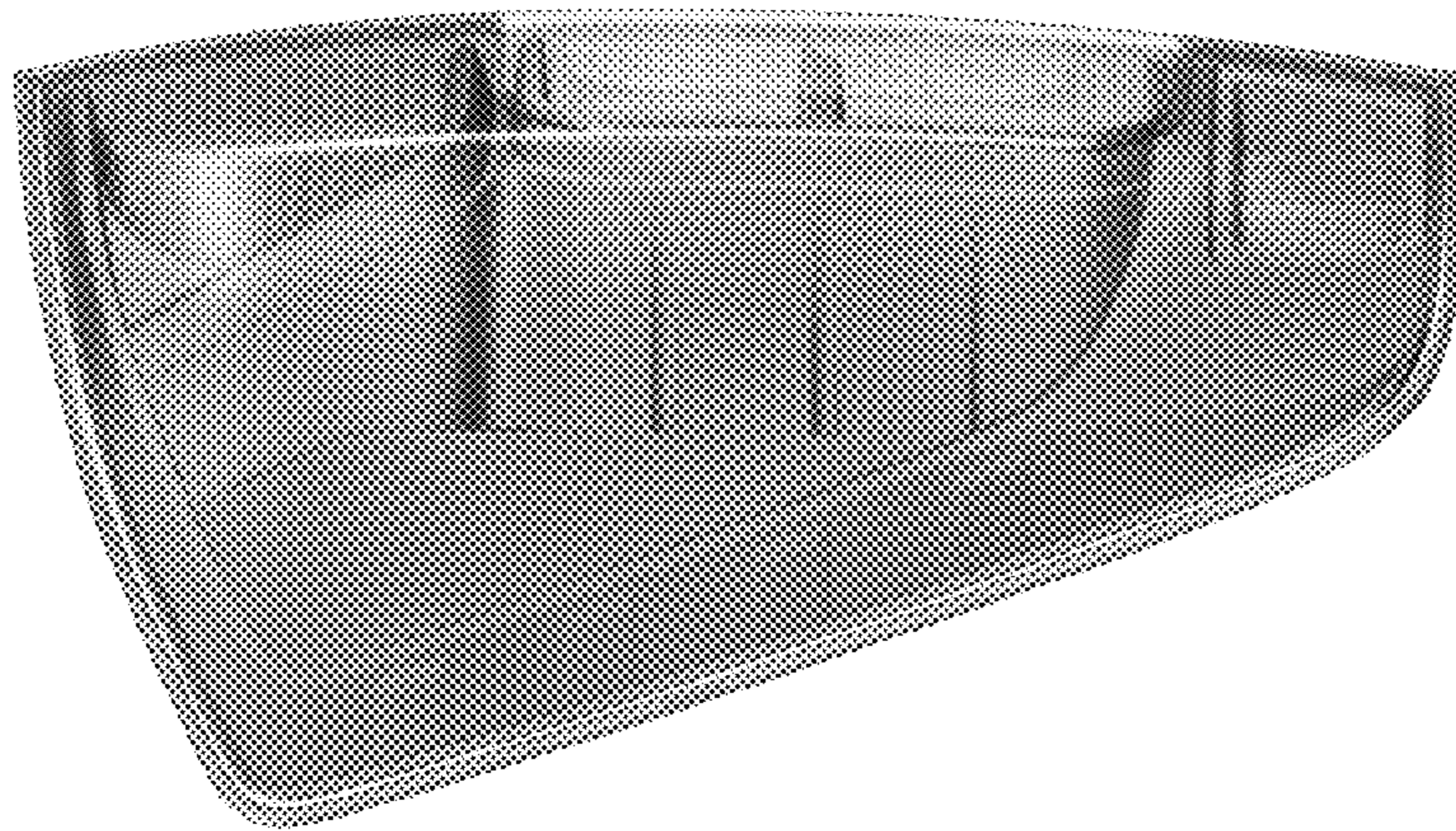


FIG. 1

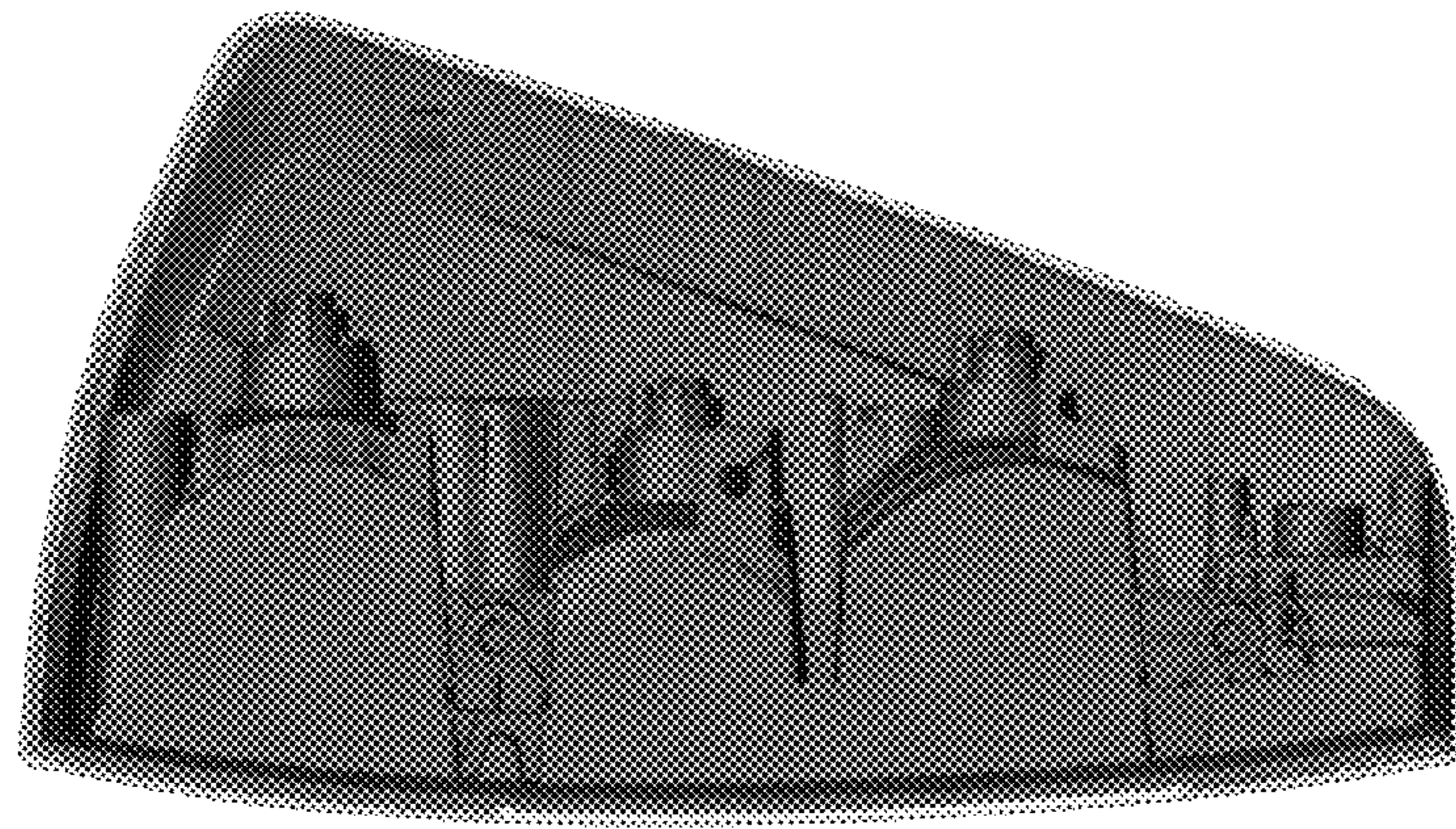


FIG. 2

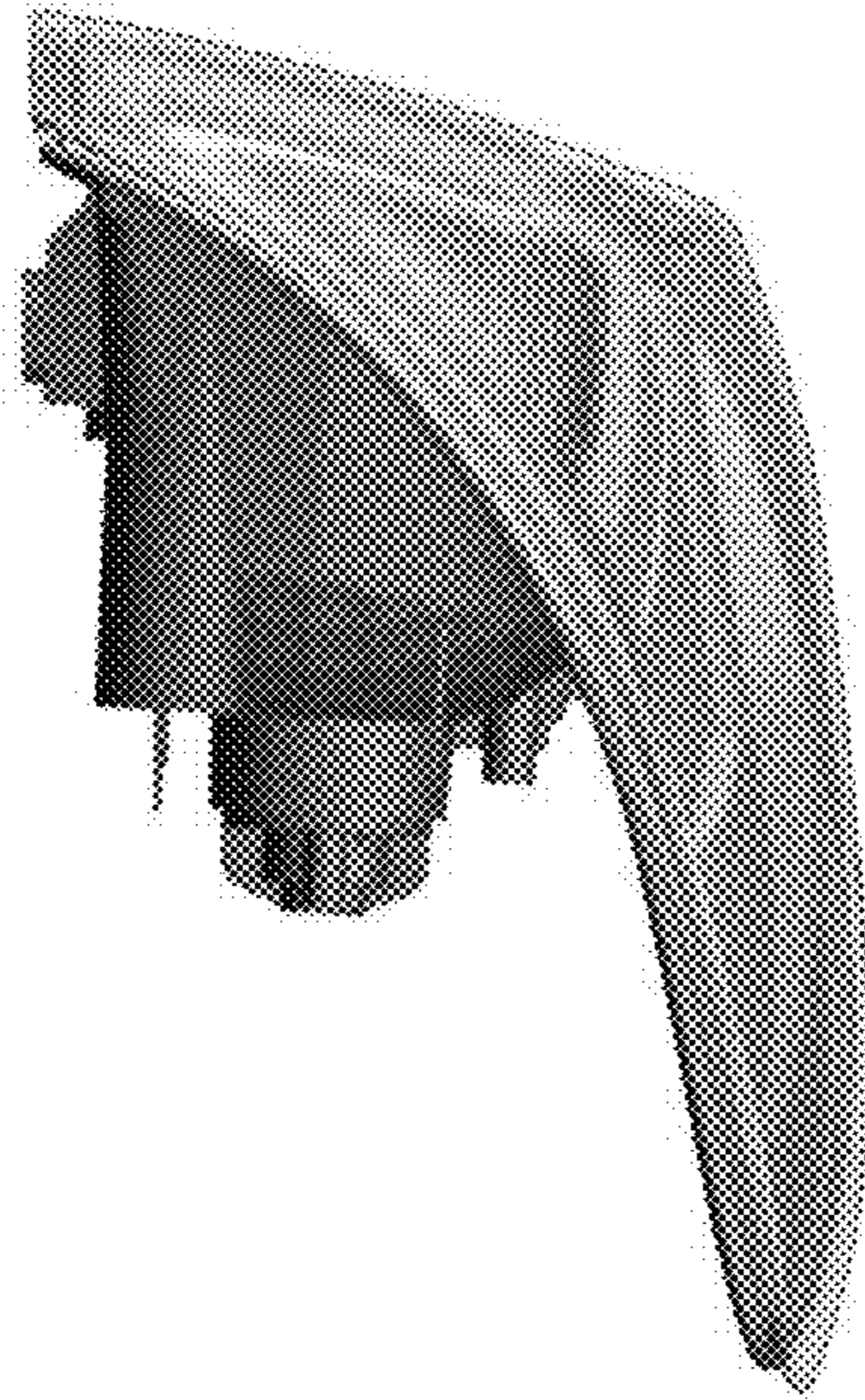


FIG. 3

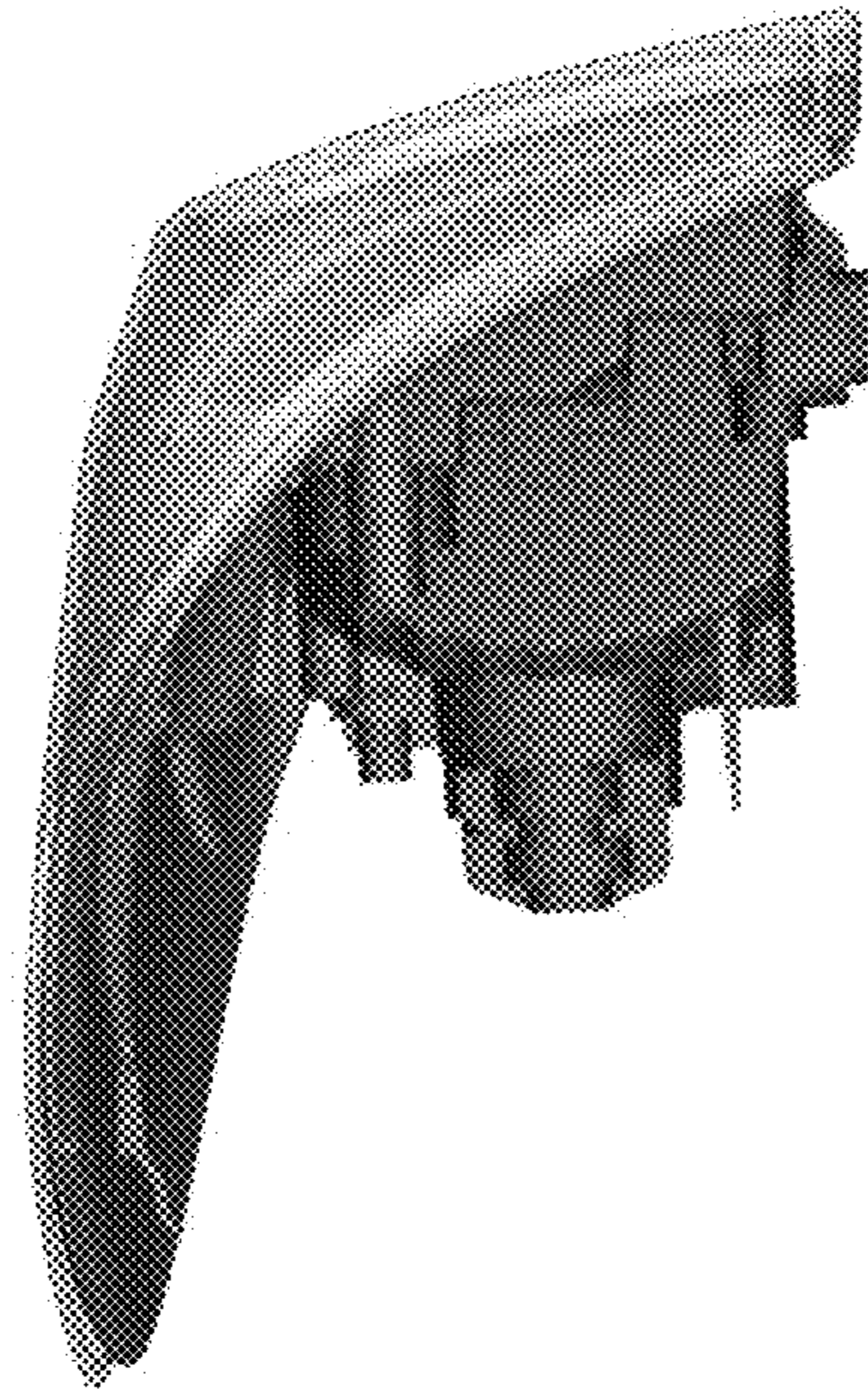


FIG. 4

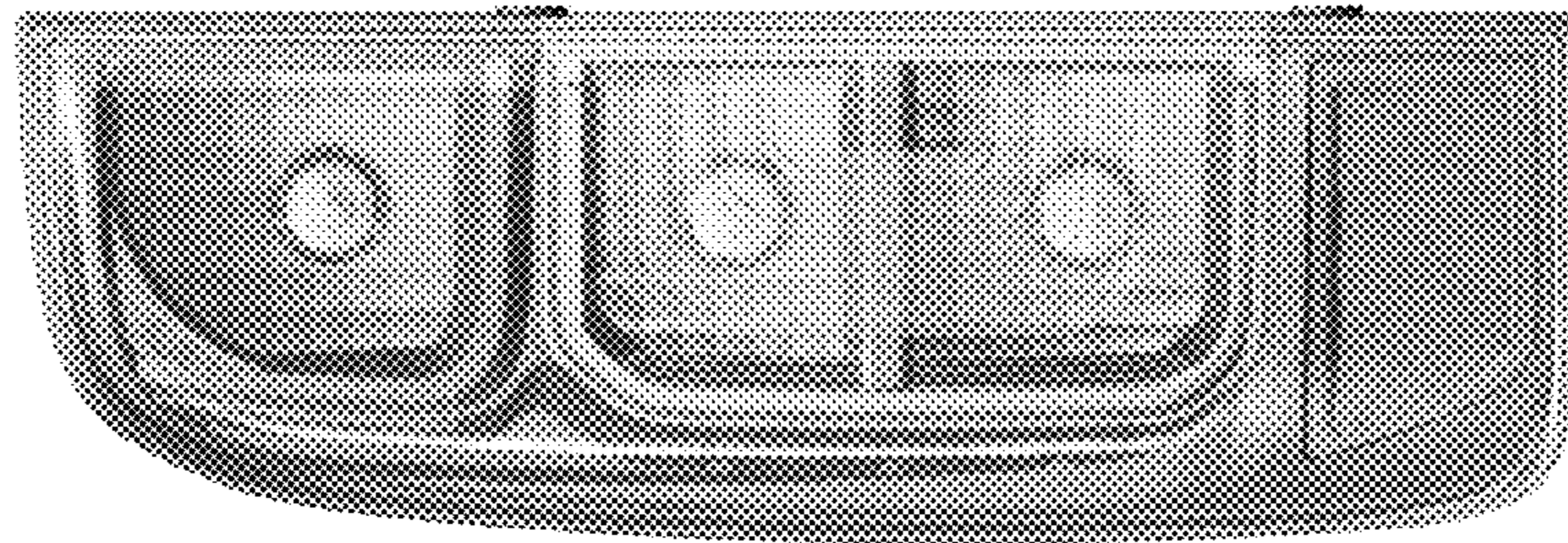


FIG. 5

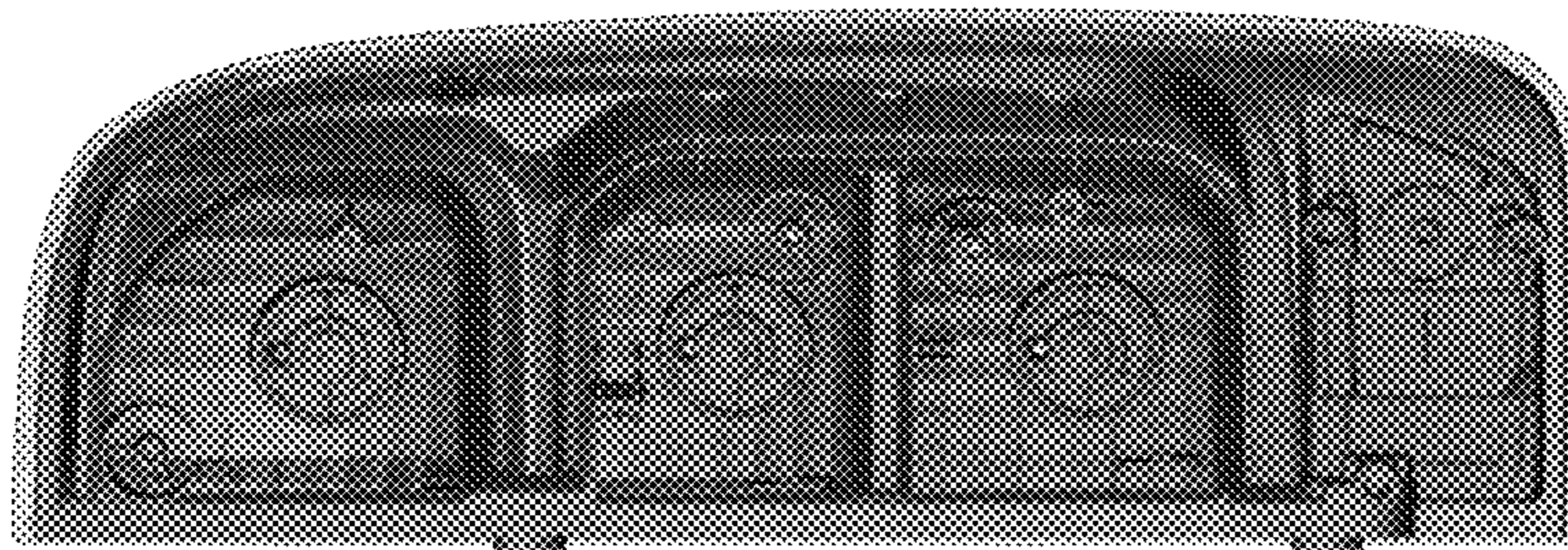


FIG. 6



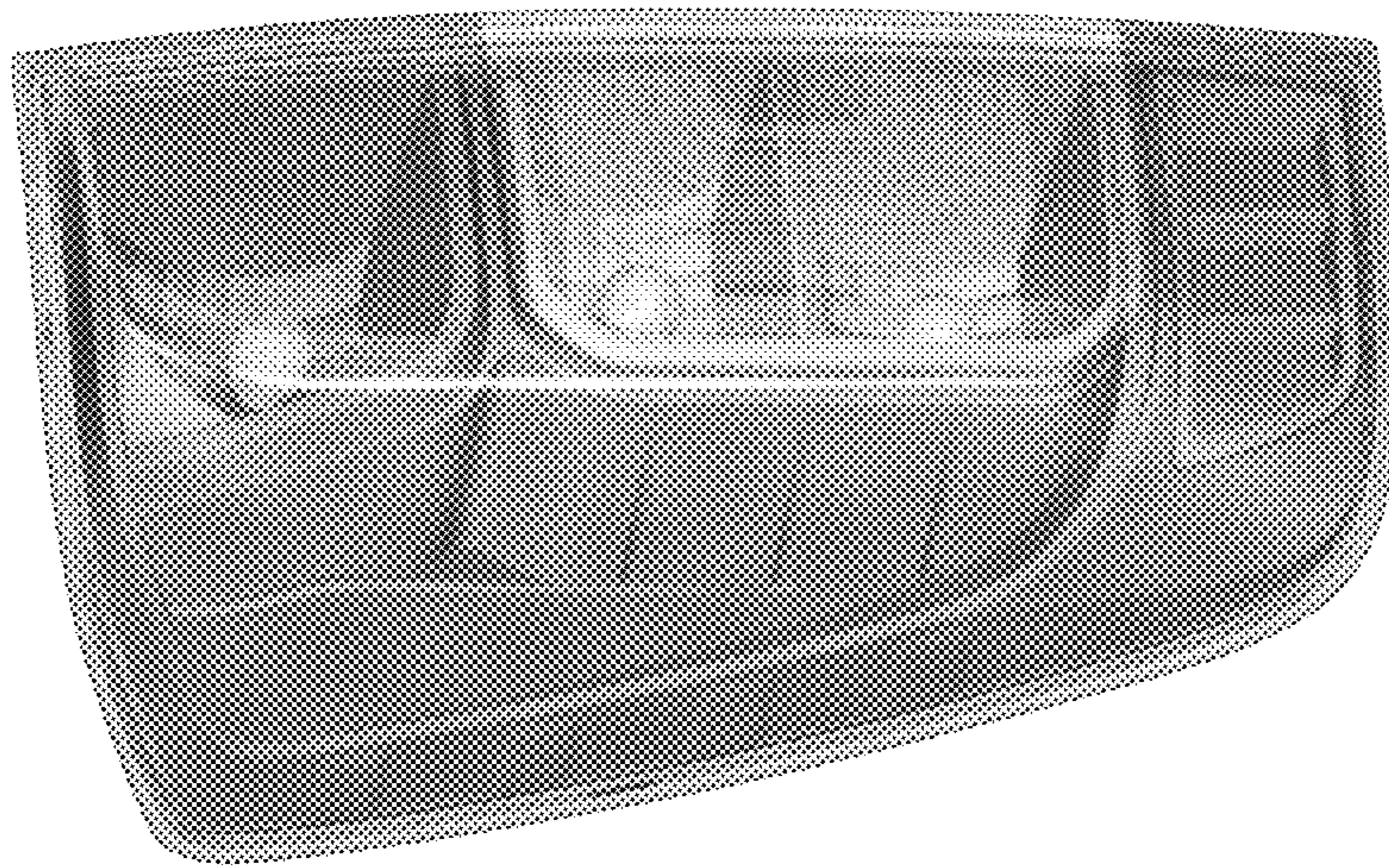


FIG. 7