



US00D752788S

(12) **United States Design Patent**
Kuwahara

(10) **Patent No.:** **US D752,788 S**
(45) **Date of Patent:** **** Mar. 29, 2016**

(54) **HEAD LAMP FOR AN AUTOMOBILE**

(71) Applicant: **Nissan Motor Co., Ltd.**, Yokohama,
Kanagawa (JP)

(72) Inventor: **Hirotda Kuwahara**, Kanagawa (JP)

(73) Assignee: **Nissan Motor Co., Ltd.**, Yokohama (JP)

(**) Term: **14 Years**

(21) Appl. No.: **29/513,048**

(22) Filed: **Dec. 24, 2014**

(51) **LOC (10) Cl.** **26-06**

(52) **U.S. Cl.**
USPC **D26/28**

(58) **Field of Classification Search**
USPC D26/28-36; 362/459-468, 475-478,
362/485-487

CPC F21S 48/00; F21S 48/10; F21S 48/115;
F21S 48/1233; F21S 48/1266; F21S 48/1388;
F21S 48/2268; F21V 21/04

See application file for complete search history.

(56) **References Cited**

U.S. PATENT DOCUMENTS

D521,662 S 5/2006 Chu
D538,956 S * 3/2007 Ishii D26/28
D544,614 S * 6/2007 Markefka D26/28

(Continued)

FOREIGN PATENT DOCUMENTS

JP D1289648 S 12/2006
JP D1334568 S 6/2008

(Continued)

Primary Examiner — Marcus Jackson

(74) *Attorney, Agent, or Firm* — Global IP Counselors, LLP

(57) **CLAIM**

The ornamental design for a head lamp for an automobile, as shown and described.

DESCRIPTION

FIG. 1 is an outside elevational view of a head lamp for an automobile in accordance with a first embodiment of our new design;

FIG. 2 is an inside elevational view of the headlamp in accordance with the first embodiment of our new design of FIG. 1; FIG. 3 is a top plan view of the headlamp in accordance with the first embodiment of our new design of FIGS. 1 and 2;

FIG. 4 is a bottom plan view of the headlamp in accordance with the first embodiment of our new design of FIGS. 1 to 3; FIG. 5 is a front side elevational view of the headlamp in accordance with the first embodiment of our new design of FIGS. 1 to 4;

FIG. 6 is a rear side elevational view of the headlamp in accordance with the first embodiment of our new design of FIGS. 1 to 5; and,

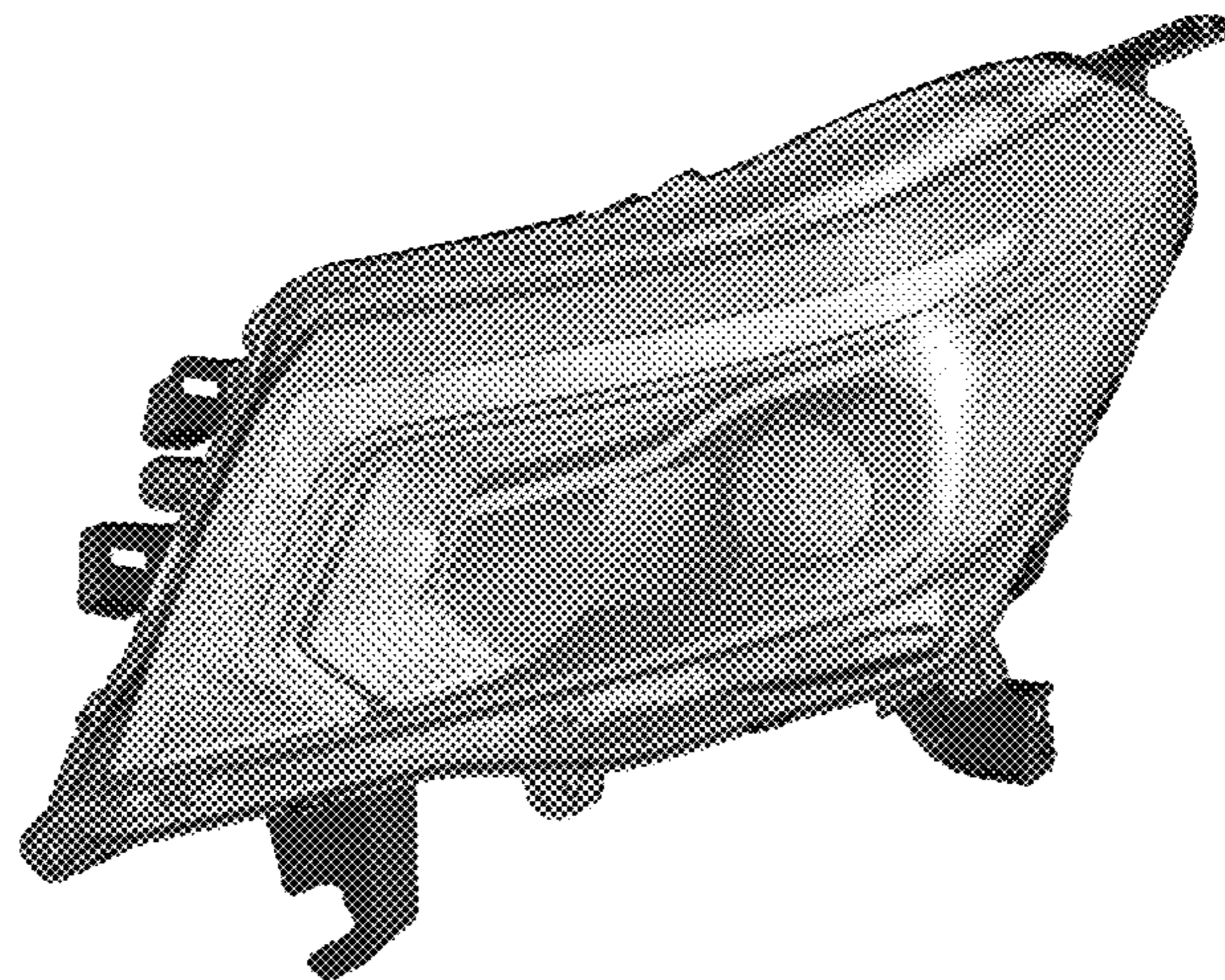
FIG. 7 is a front side perspective view of the headlamp in accordance with the first embodiment of our new design of FIGS. 1 to 6.

The inside elevational view of FIG. 2 and the rear side elevational view of FIG. 6 form no part of the claimed design. In addition, the headlamp is configured to be mounted to an automobile. The mounting structure and support structure, visible in FIGS. 1 to 7, of the headlamp form no part of the claimed design since the mounting structure and support structure are hidden when the headlamp is mounted to the automobile.

A second embodiment of our new design is identical to the first embodiment. In addition, in the second embodiment, the appearance of the rear side structures and inside side structures of the headlamp as seen in FIGS. 1, 3, 4, 5 and 7 is for purpose of illustrating the boundaries of the exterior surface of the outside of the headlamp, and forms no part of the claimed design.

Our new design includes the mirror image of the headlamp shown in FIGS. 1 to 7.

1 Claim, 7 Drawing Sheets



(56)

References Cited

FOREIGN PATENT DOCUMENTS

U.S. PATENT DOCUMENTS

D561,358 S *	2/2008	Tachibana	D26/28	JP	D1380446 S	2/2010
D570,007 S *	5/2008	Hsu	D26/28	JP	D1403146 S	12/2010
D582,587 S *	12/2008	Yang	D26/28	JP	D1419135 S	7/2011
D593,232 S *	5/2009	Koman	D26/28	JP	D1475449 S	7/2013
D635,694 S *	4/2011	Yang	D26/28	JP	D1498623 S	6/2014
D666,752 S	9/2012	Watanabe		JP	D1501244 S	6/2014
D675,354 S	1/2013	Sakai et al.			D1501261 S	6/2014
D685,117 S	6/2013	Cogswell				

* cited by examiner

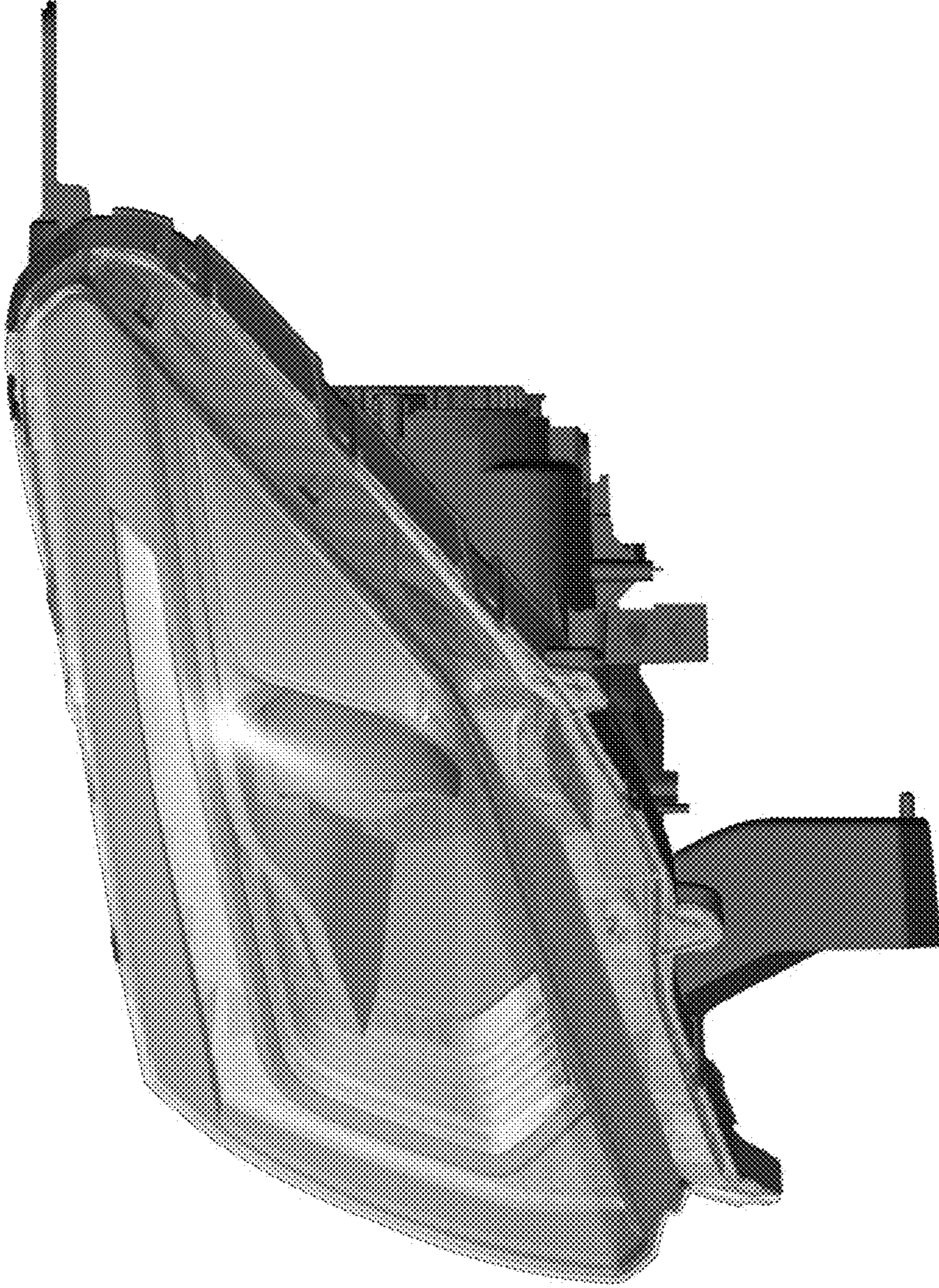


FIG. 1

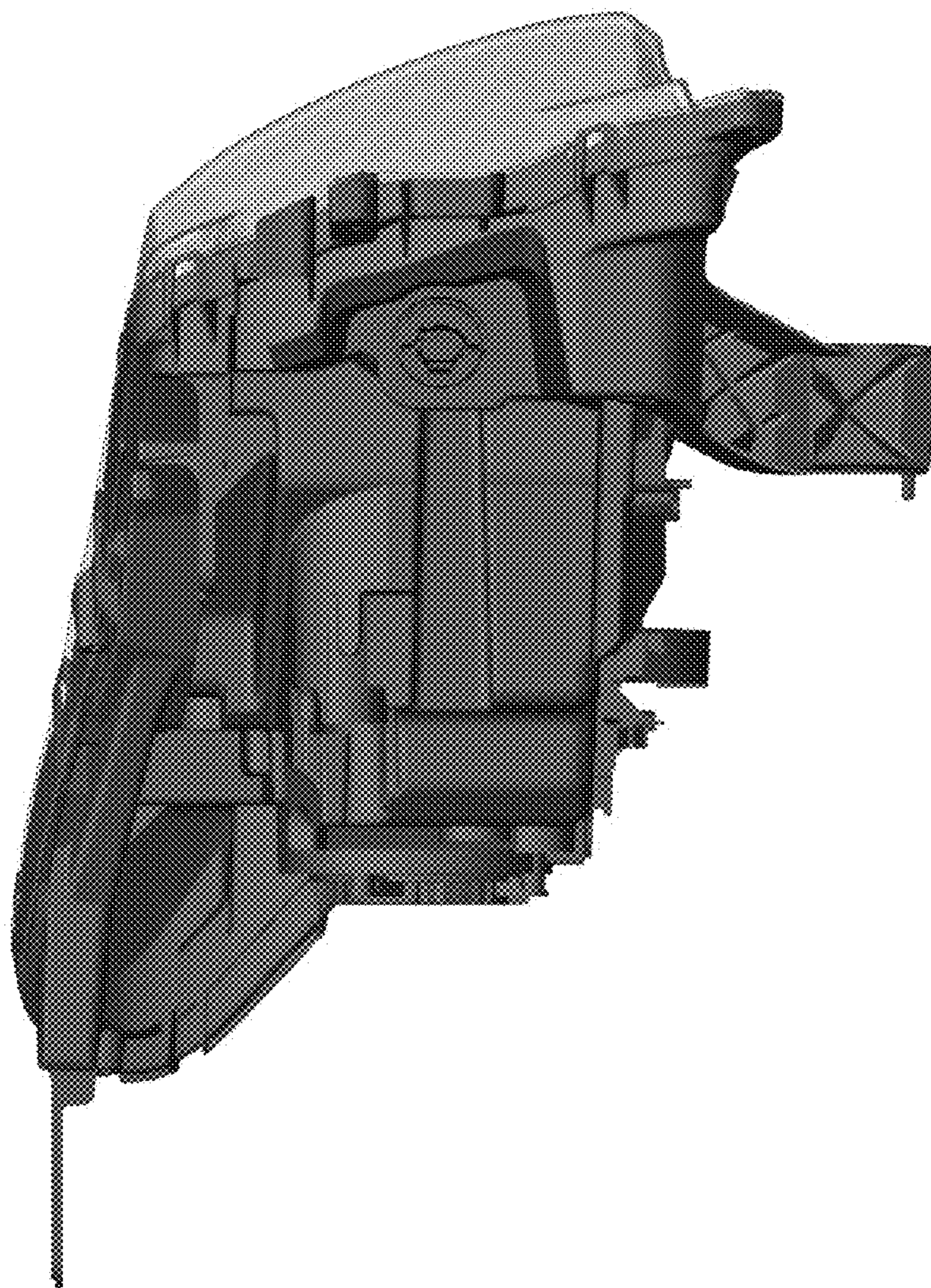


FIG. 2

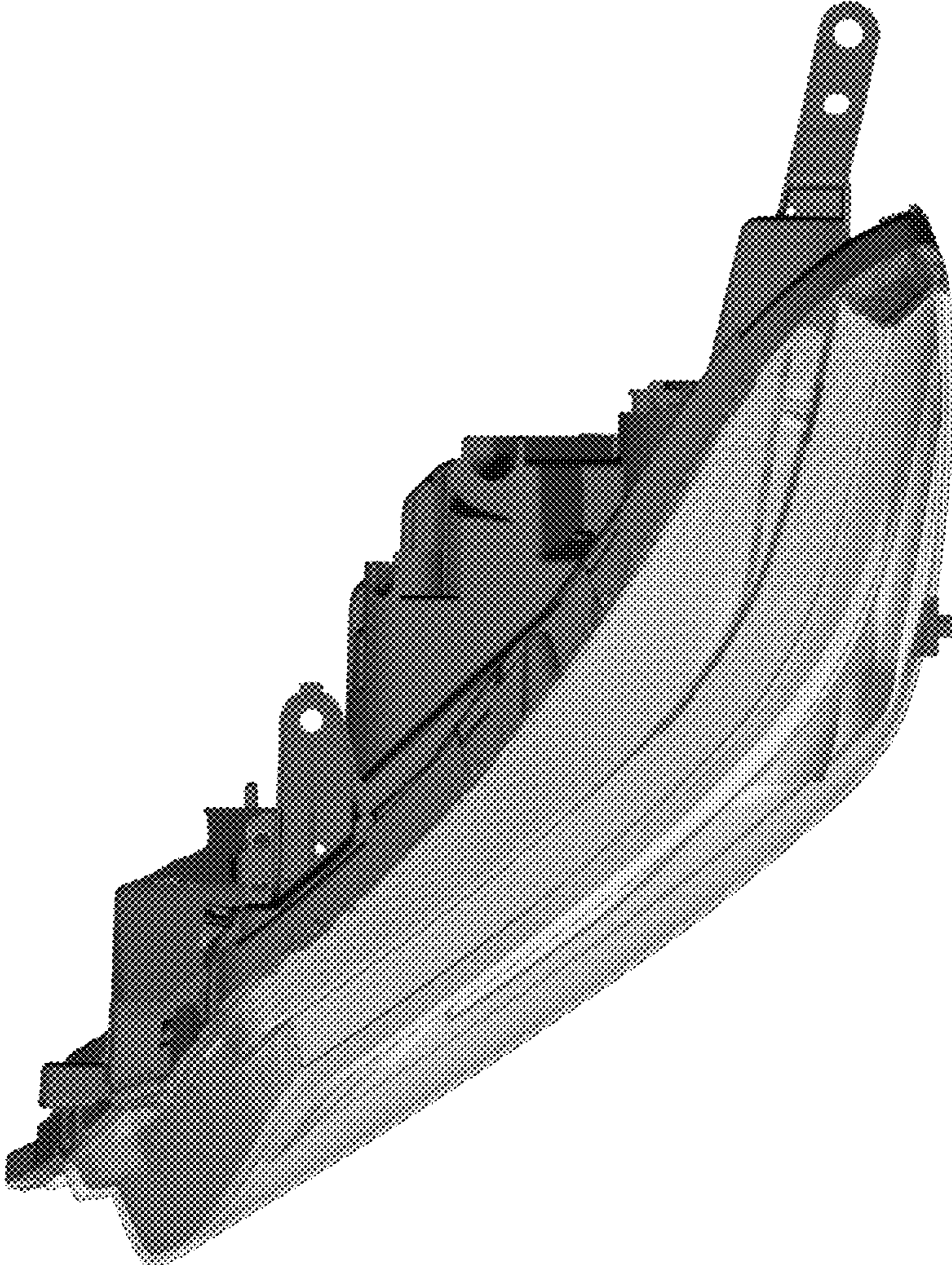


FIG. 3

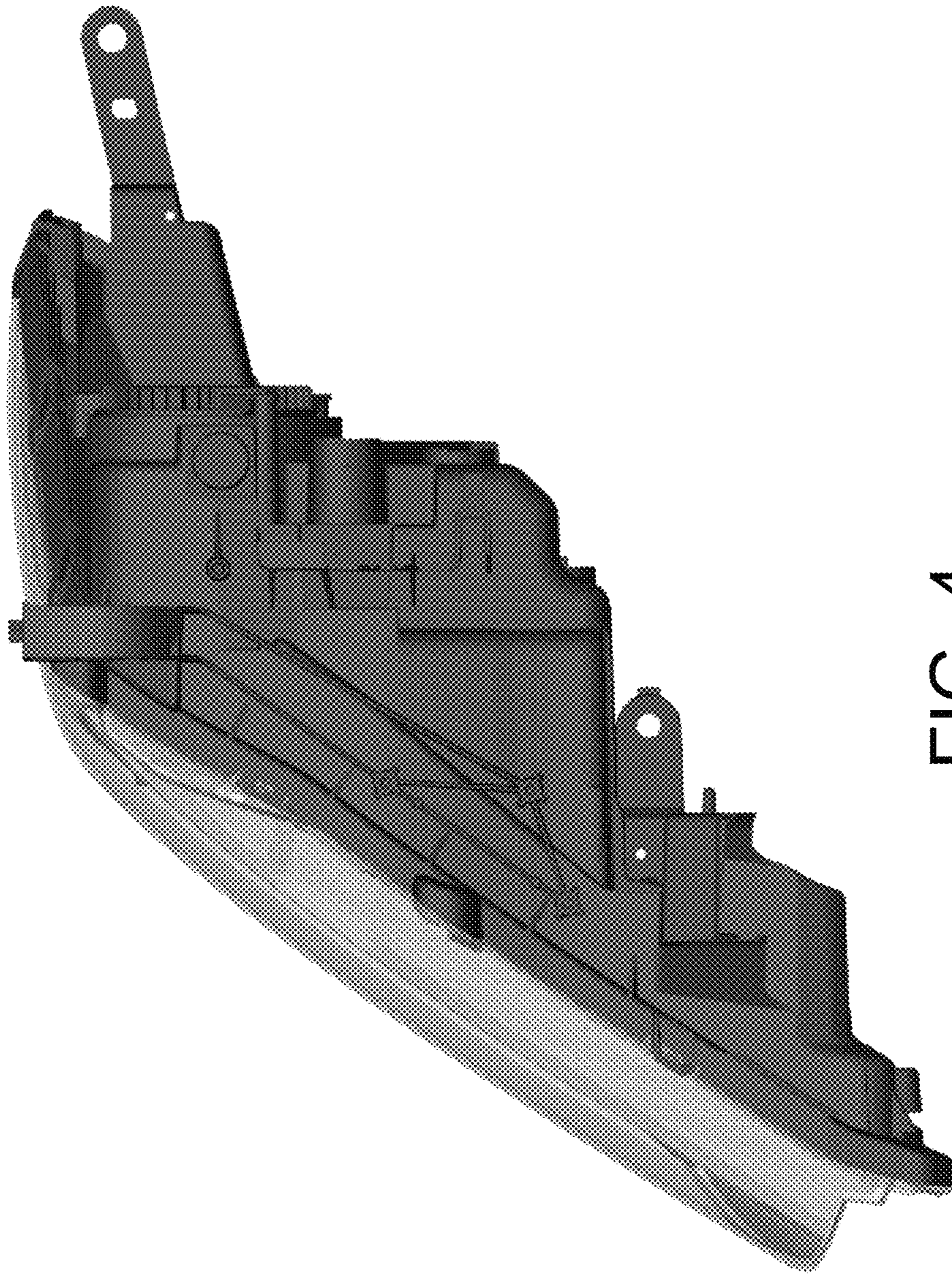


FIG. 4



FIG. 5

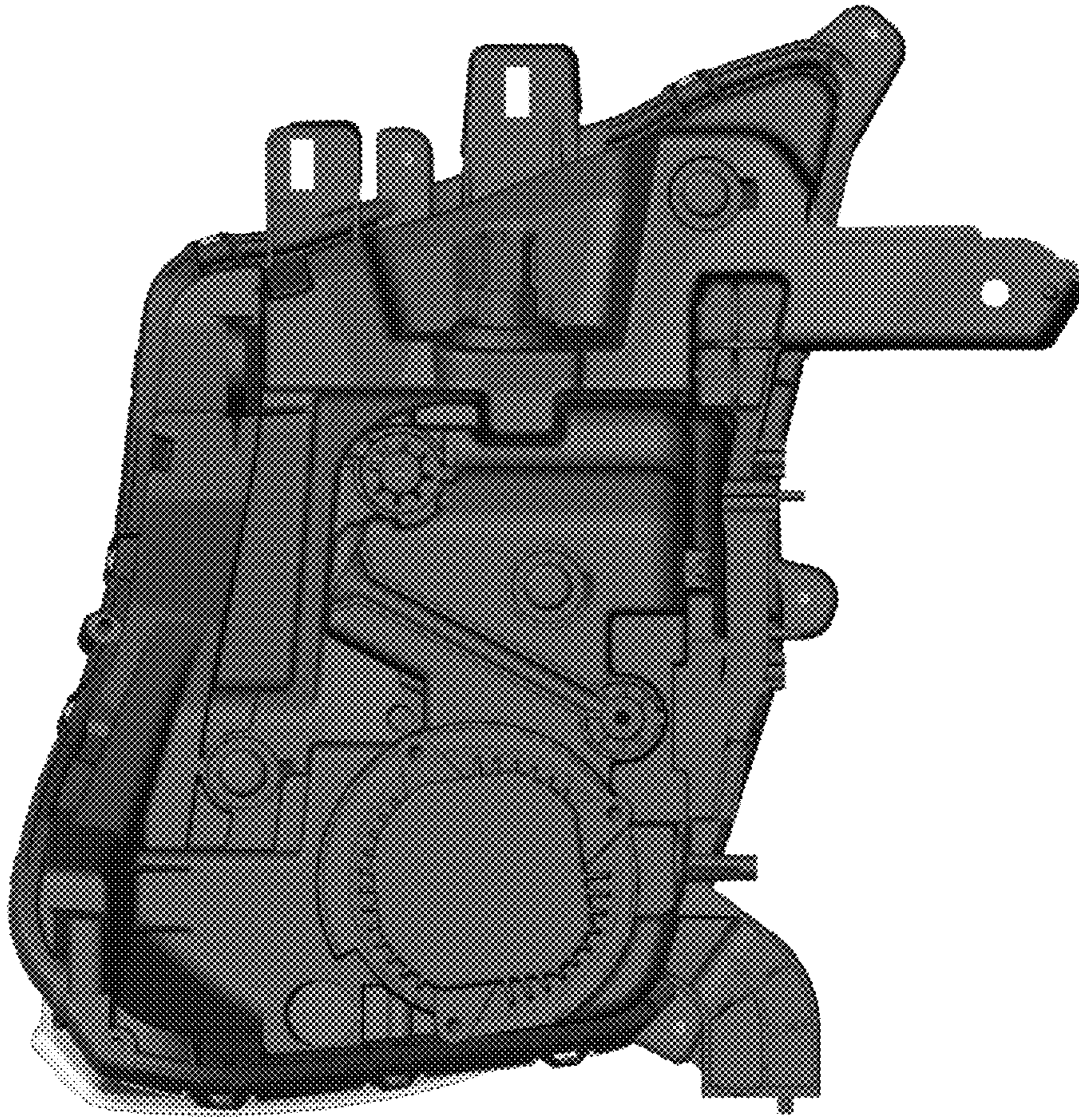


FIG. 6



FIG. 7