



US00D752787S

(12) **United States Design Patent**
Kawakami

(10) **Patent No.:** **US D752,787 S**
(45) **Date of Patent:** **** Mar. 29, 2016**

(54) **TAILLIGHT FOR A BICYCLE**
(71) Applicant: **Cateye Co., Ltd.**, Osaka (JP)
(72) Inventor: **Kenta Kawakami**, Osaka (JP)
(73) Assignee: **Cateye Co., Ltd.**, Osaka (JP)
(**) Term: **14 Years**

D560,834 S * 1/2008 Nagano D26/28
D584,840 S * 1/2009 Okuda D26/28
D605,790 S * 12/2009 Hsing-Tsun D26/28
D611,173 S * 3/2010 McKechnie D26/28

(21) Appl. No.: **29/511,882**
(22) Filed: **Dec. 15, 2014**

FOREIGN PATENT DOCUMENTS

JP D1197521 2/2004
TW 238922 1/1995
TW D163818 10/2014

(30) **Foreign Application Priority Data**

Jun. 19, 2014 (JP) 2014-013378

(51) **LOC (10) Cl.** **26-06**
(52) **U.S. Cl.**
USPC **D26/28**
(58) **Field of Classification Search**
USPC D26/28-36; 362/61, 80-83, 459-468,
362/475-478, 485-487
CPC F21S 48/00; F21S 48/10; F21S 48/115;
F21S 48/1233; F21S 48/1266; F21S 48/1388;
F21S 48/2268; F21V 21/04
See application file for complete search history.

OTHER PUBLICATIONS

Cycle Sports, No. 12, vol. 42, (Aug. 20, 2011), p. 92 (Japan Patent Office, Design Department, known document No. HA23005285).
Cycle Sports, No. 10, vol. 44, (Jun. 20, 2013), p. 78 (Japan Patent Office, Design Department, known document No. HA25005207).

* cited by examiner

Primary Examiner — Marcus Jackson
(74) *Attorney, Agent, or Firm* — Arnstein & Lehr

(57) **CLAIM**
The ornamental design for a taillight for a bicycle, as shown.

DESCRIPTION

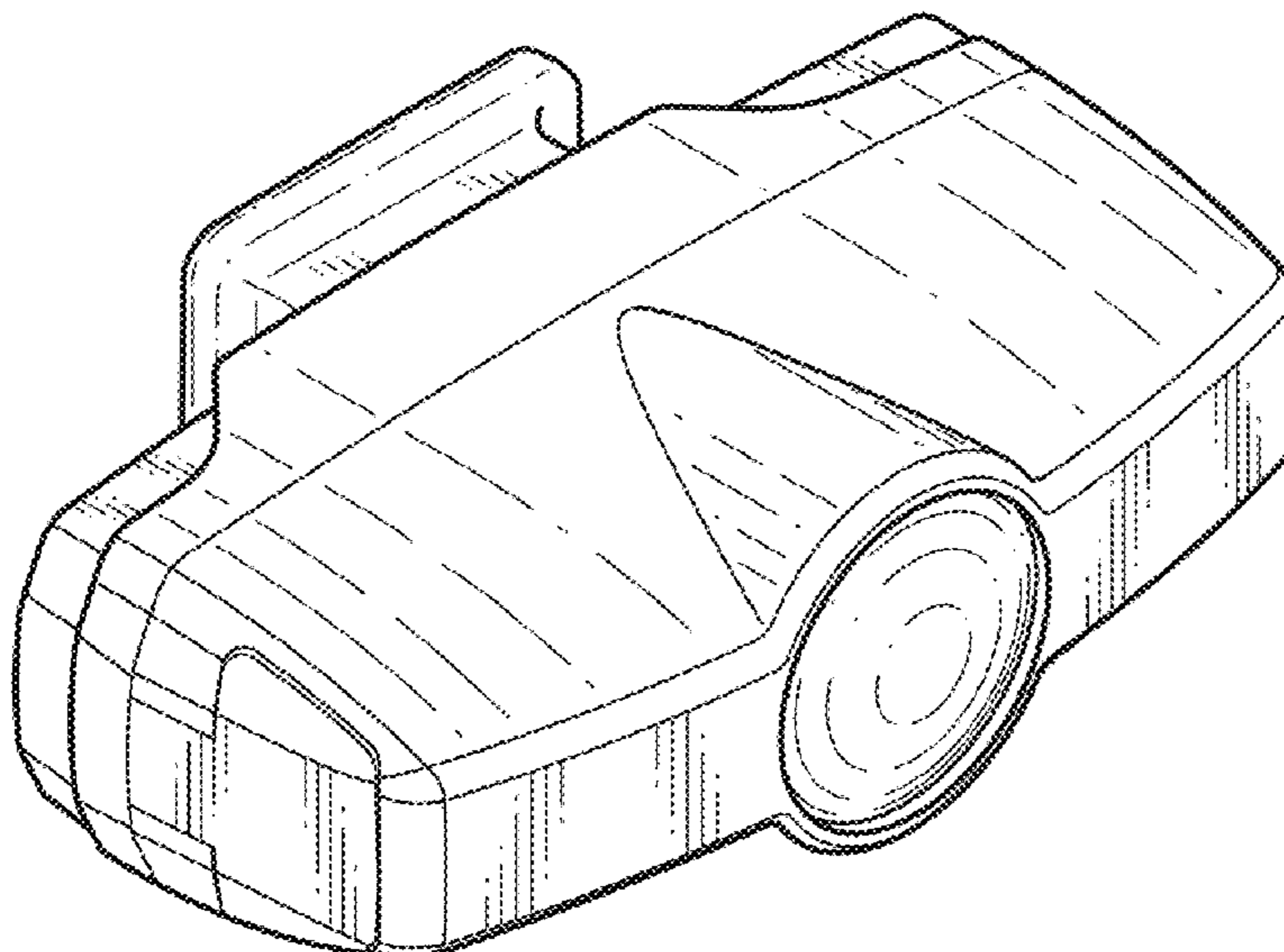
FIG. 1 is a perspective view of a taillight for a bicycle showing my new design;
FIG. 2 is a front view thereof;
FIG. 3 is a rear view thereof;
FIG. 4 is a top plan view thereof;
FIG. 5 is a bottom plan view thereof;
FIG. 6 is a right side view thereof; and,
FIG. 7 is a left side view thereof.

(56) **References Cited**

U.S. PATENT DOCUMENTS

D540,481 S * 4/2007 Okuda D26/28
D540,966 S * 4/2007 Ueda D26/28
D541,447 S * 4/2007 Ueda D26/28
D560,833 S * 1/2008 Ueda D26/28

1 Claim, 4 Drawing Sheets



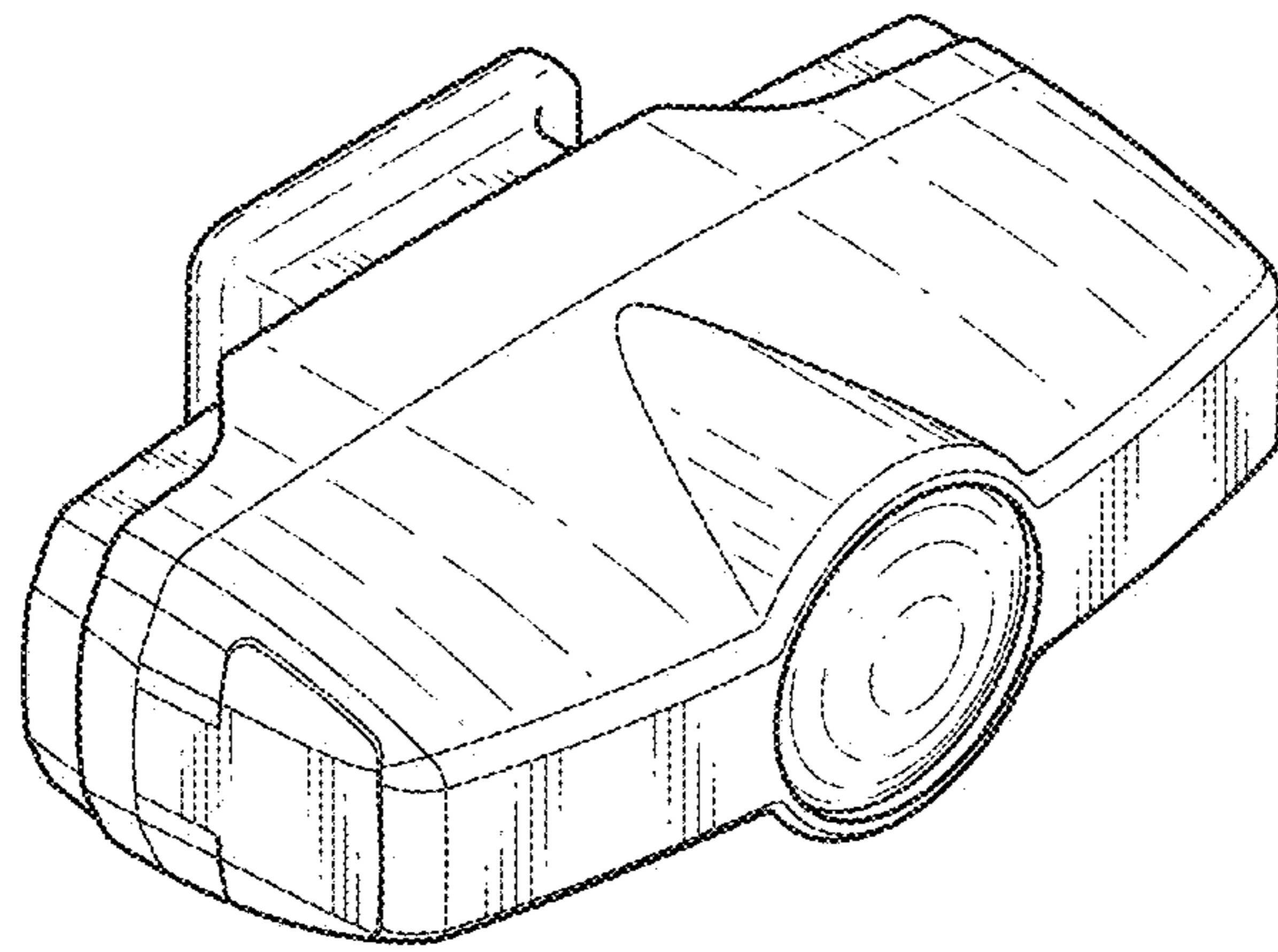


Fig. 1

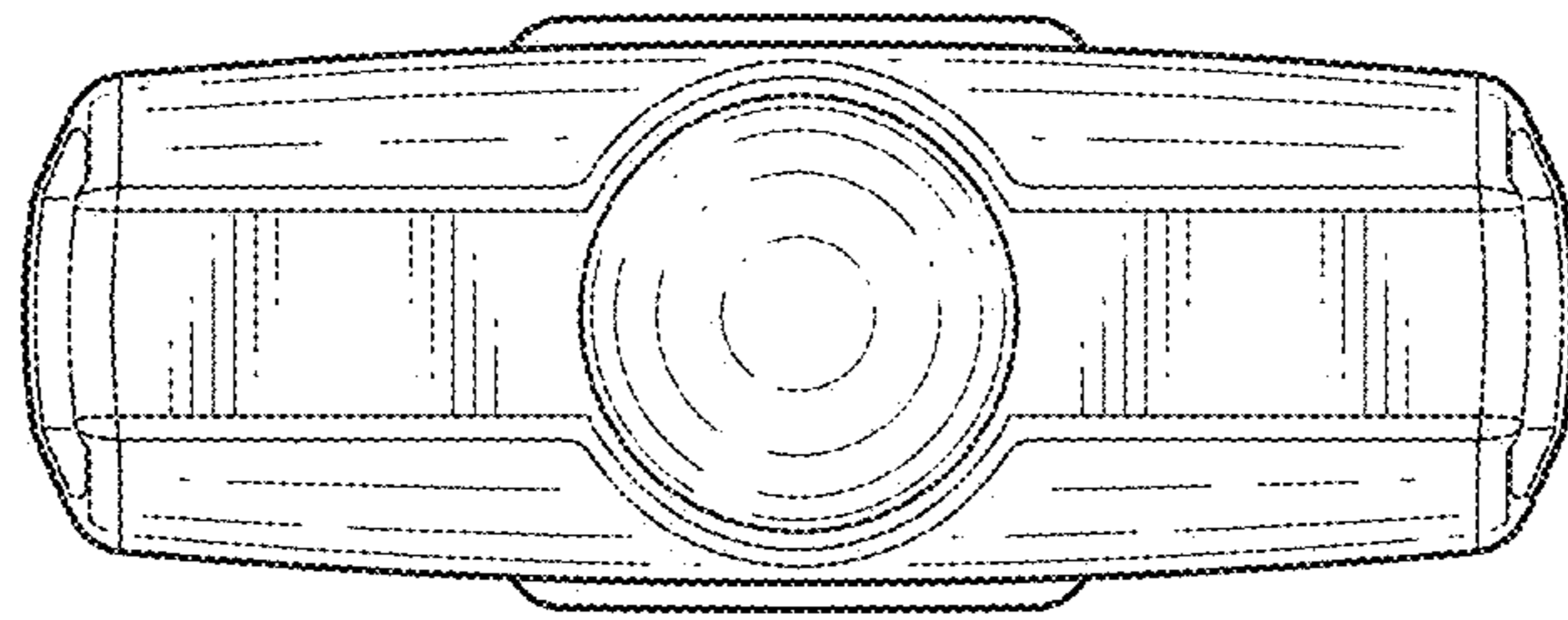


Fig. 2

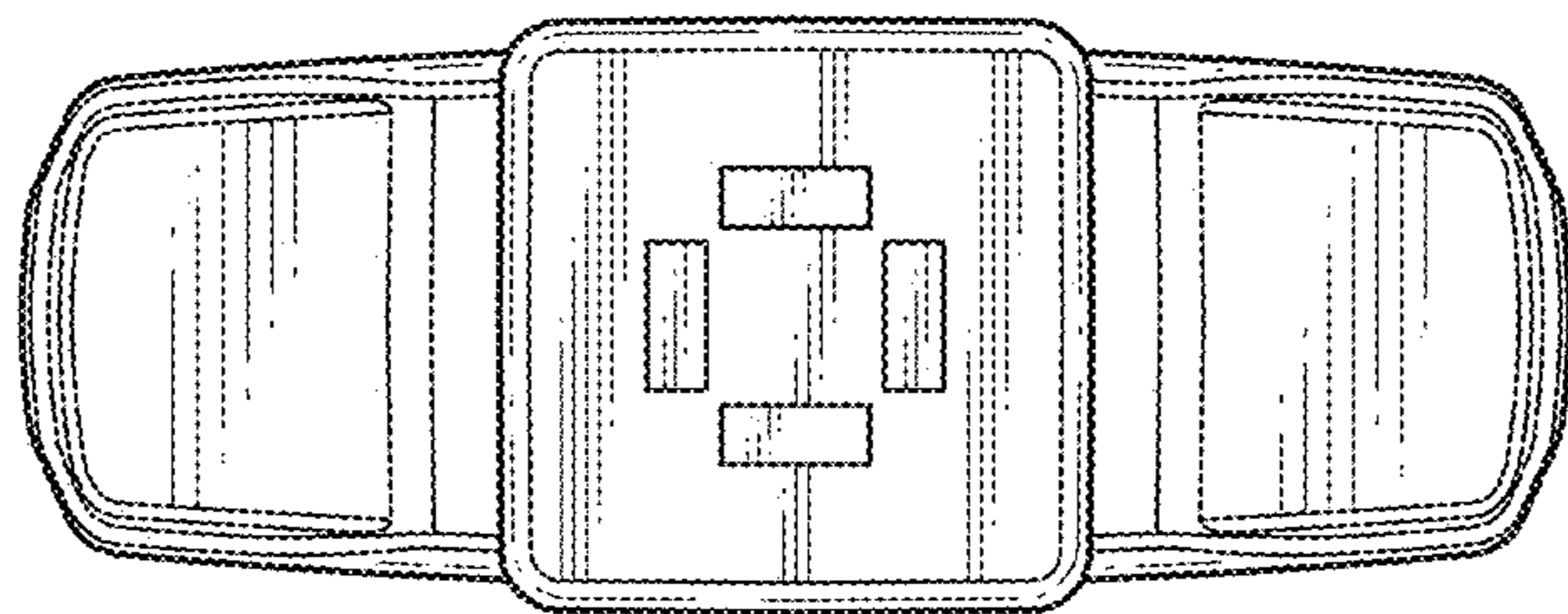


Fig. 3

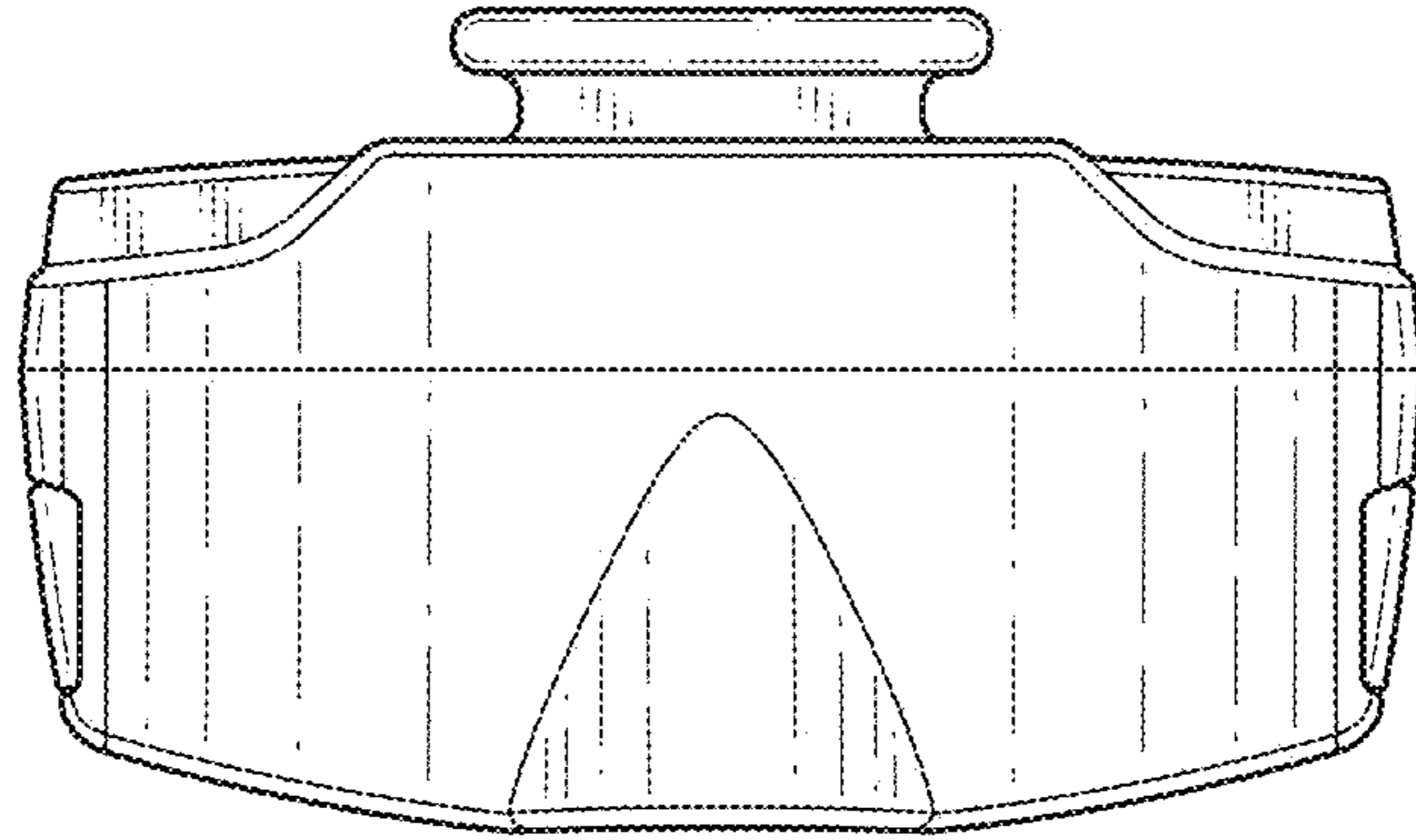


Fig. 4

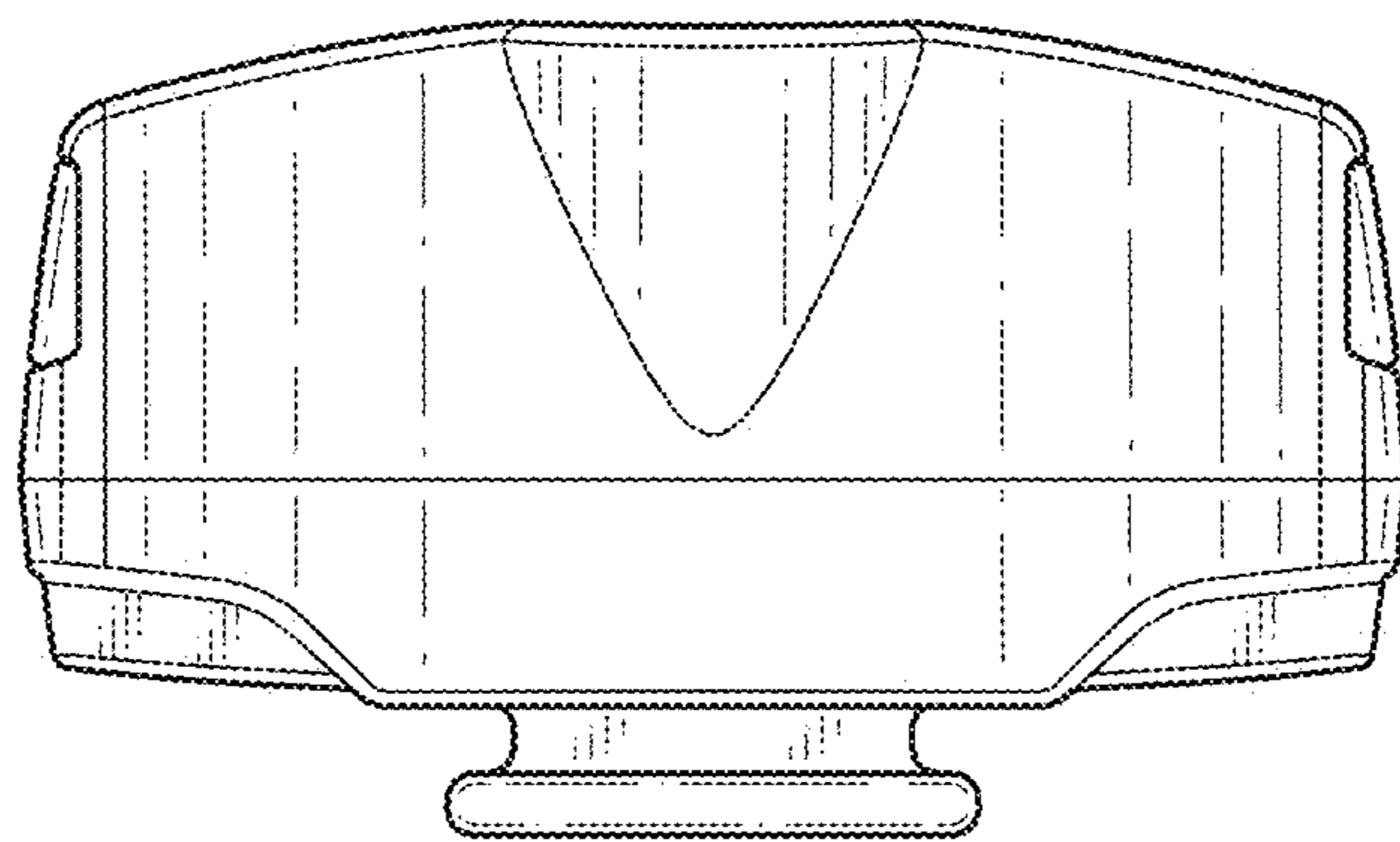


Fig. 5

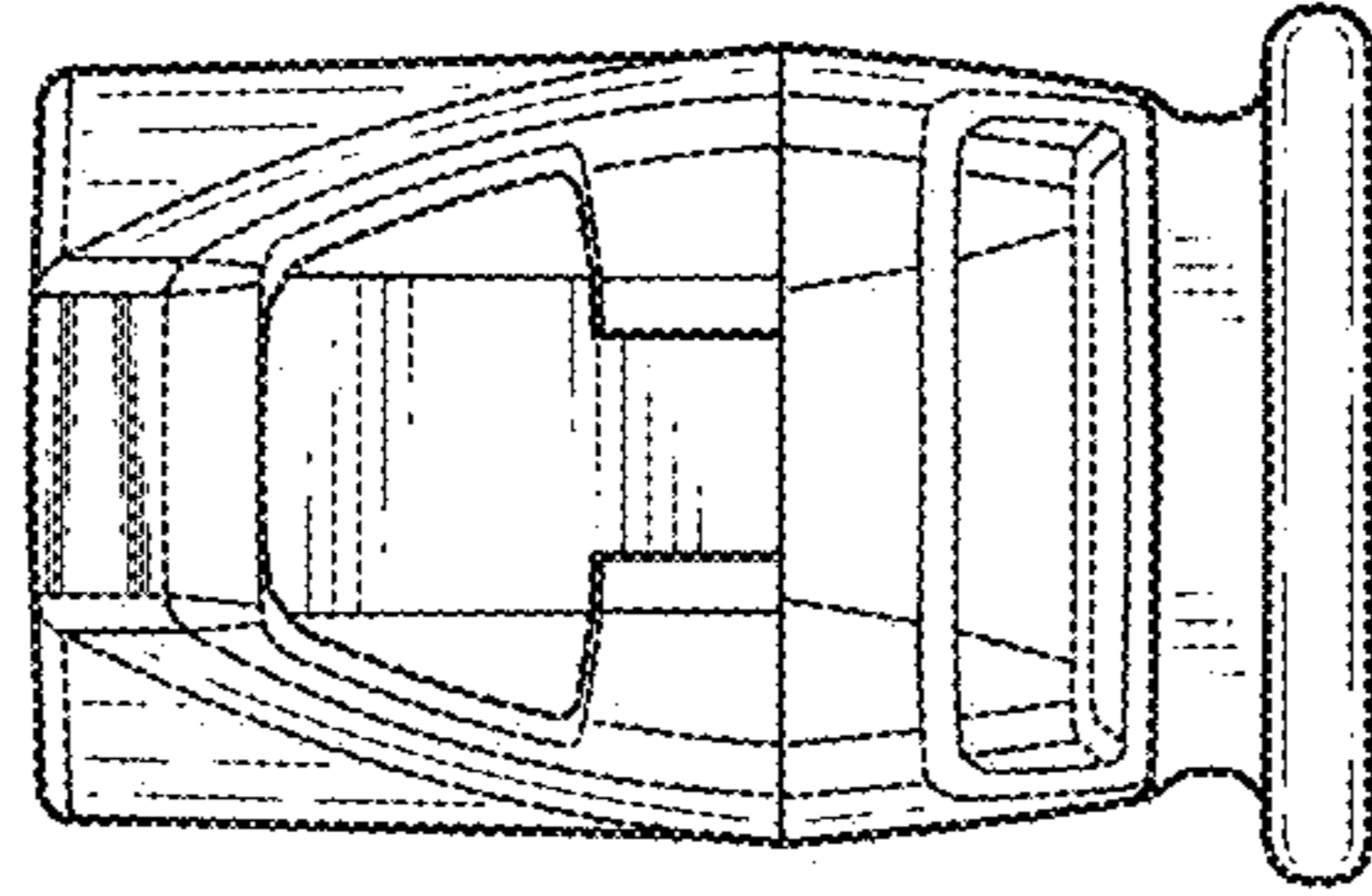


Fig. 6

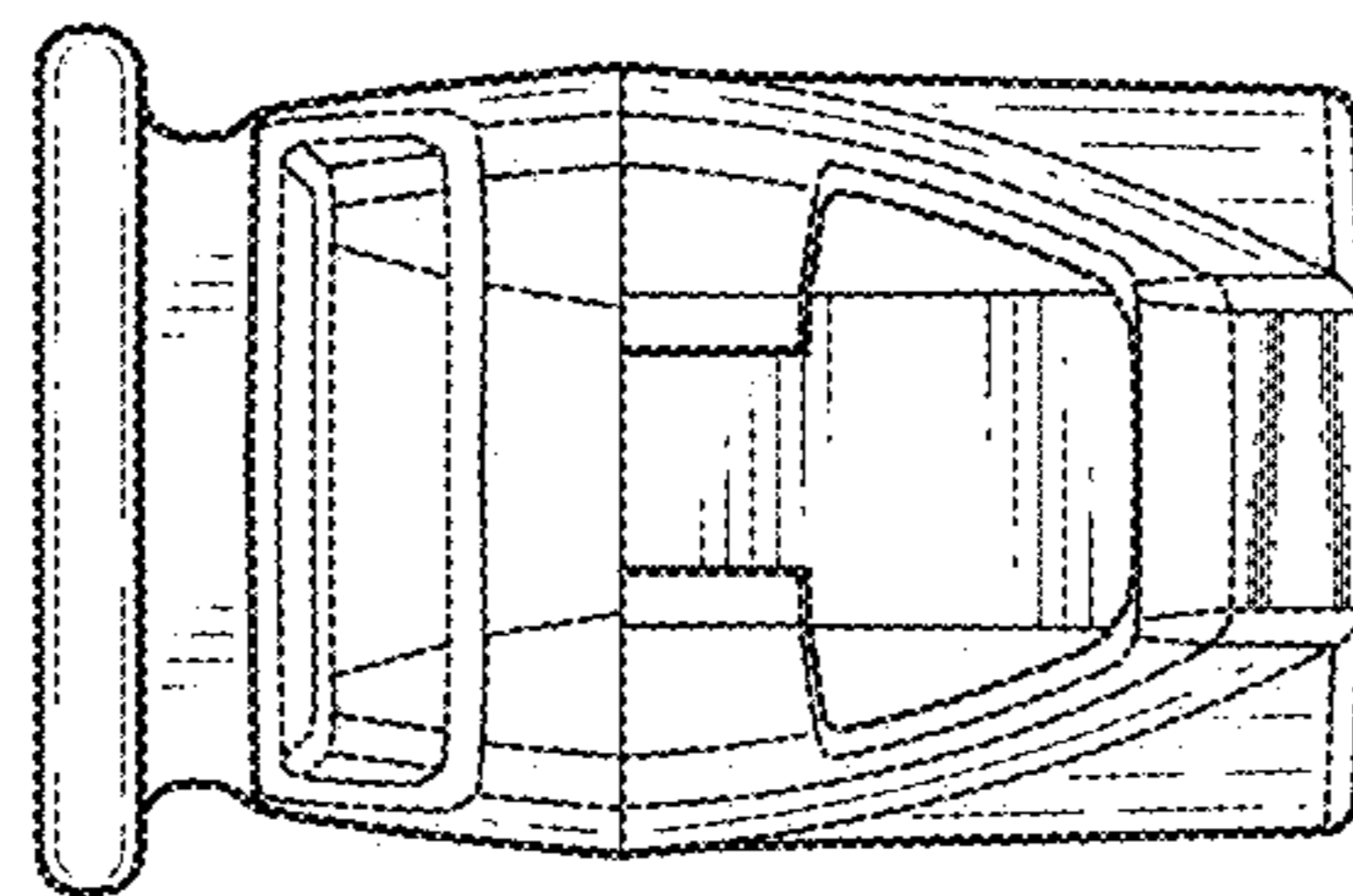


Fig. 7