



US00D752785S

(12) **United States Design Patent**
Horiuchi et al.

(10) **Patent No.:** **US D752,785 S**
(45) **Date of Patent:** **** Mar. 29, 2016**

(54) **HEADLAMP FOR AN AUTOMOBILE**

(71) Applicant: **Nissan Motor Co., Ltd.**, Yokohama,
Kanagawa (JP)

(72) Inventors: **Osamu Horiuchi**, Kanagawa (JP);
Yoshihiro Okada, Kanagawa (JP);
Shinya Momokawa, Kanagawa (JP);
Naoyuki Ohkoshi, Kanagawa (JP)

(73) Assignee: **Nissan Motor Co., Ltd.**, Yokohama (JP)

(**) Term: **14 Years**

(21) Appl. No.: **29/502,843**

(22) Filed: **Sep. 19, 2014**

(30) **Foreign Application Priority Data**

Mar. 19, 2014 (JP) 2014-005811

(51) **LOC (10) Cl.** **26-06**

(52) **U.S. Cl.**
USPC **D26/28**

(58) **Field of Classification Search**
USPC D26/28-36; 362/459-468, 475-478,
362/485-487

See application file for complete search history.

(56) **References Cited**

U.S. PATENT DOCUMENTS

D528,681 S * 9/2006 Nakahara D26/28
D528,685 S * 9/2006 Yoshida D26/28
D544,114 S * 6/2007 Ohta D26/28
D544,614 S * 6/2007 Markefka D26/28
D549,857 S * 8/2007 Lin D26/28

(Continued)

FOREIGN PATENT DOCUMENTS

JP D1483832 S 11/2013
JP D1498623 S 6/2014

(Continued)

Primary Examiner — Marcus Jackson

(74) *Attorney, Agent, or Firm* — Global IP Counselors, LLP

(57) **CLAIM**

The ornamental design for a headlamp for an automobile, as shown and described.

DESCRIPTION

FIG. 1 is a front elevational view of a headlamp for an automobile in accordance with a first embodiment of our new design;

FIG. 2 is a rear elevational view of the headlamp in accordance with the first embodiment of our new design of FIG. 1; FIG. 3 is a top plan view of the headlamp in accordance with the first embodiment of our new design of FIGS. 1 and 2;

FIG. 4 is a bottom plan view of the headlamp in accordance with the first embodiment of our new design of FIGS. 1 to 3; FIG. 5 is a right side elevational view of the headlamp in accordance with the first embodiment of our new design of FIGS. 1 to 4;

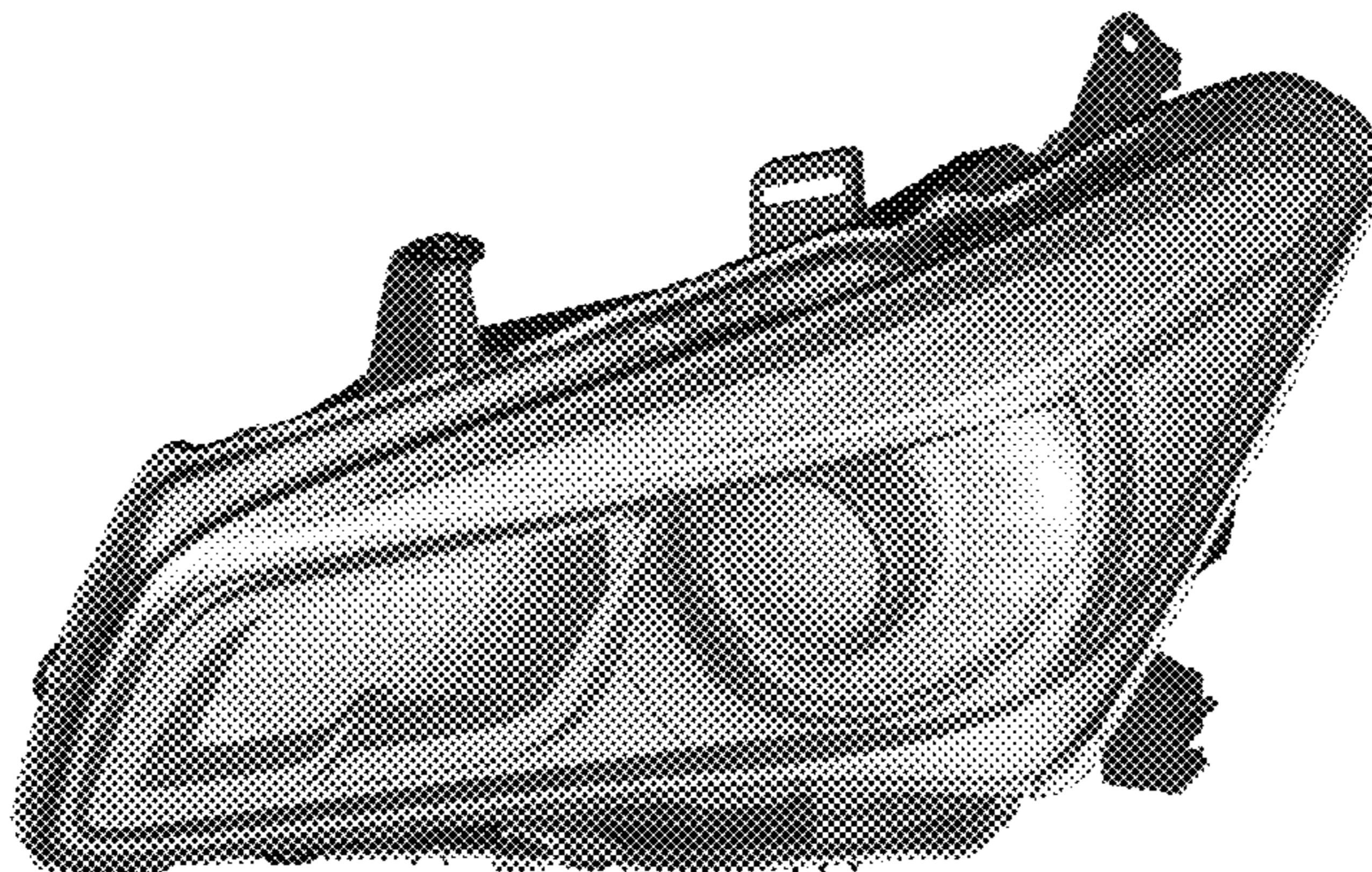
FIG. 6 is a left side elevational view of the headlamp in accordance with the first embodiment of our new design of FIGS. 1 to 5; and,

FIG. 7 is a front side perspective view of the headlamp in accordance with the first embodiment of our new design of FIGS. 1 to 6.

A second embodiment of our new design is identical to the first embodiment except that the rear elevational view of FIG. 2 and the right side elevational view of FIG. 5 form no part of the claimed design. In addition, in the second embodiment, the appearance of the rear side structures and inside side structures of the headlamp as seen in FIGS. 1, 3, 4, 6 and 7 is for purpose of illustrating the boundaries of the exterior surface of the outside of the headlamp, and forms no part of the claimed design.

Our new design includes the mirror image of the headlamp shown in FIGS. 1 to 7.

1 Claim, 7 Drawing Sheets



(56)

References Cited

U.S. PATENT DOCUMENTS

D561,358 S * 2/2008 Tachibana D26/28
 D636,506 S * 4/2011 Kim D26/28
 D657,897 S * 4/2012 Choi D26/28
 D657,898 S * 4/2012 Choi D26/28
 D670,842 S * 11/2012 Fuchigami D26/28
 D695,936 S 12/2013 Ishizuka et al.
 D708,375 S 7/2014 Endo
 D709,223 S * 7/2014 Lai D26/28

FOREIGN PATENT DOCUMENTS

JP D1501261 S 6/2014
 JP D1510473 S 11/2014
 JP D1511272 S 11/2014

JP D1511433 S 11/2014
 JP D1513542 S 12/2014
 JP D1517664 S 2/2015
 JP D1518109 S 2/2015
 JP D1518111 S 2/2015
 JP D1518266 S 2/2015
 JP D1518517 S 3/2015
 JP D1518620 S 3/2015
 JP D1519223 S 3/2015
 JP D1501252 S 6/2015
 JP D1525054 S 6/2015
 JP D1526235 S 6/2015
 JP D1526533 S 6/2015
 JP D1527444 S 6/2015
 JP D1475946 S 7/2015
 JP D1530843 S 8/2015
 JP D1531002 S 8/2015

* cited by examiner

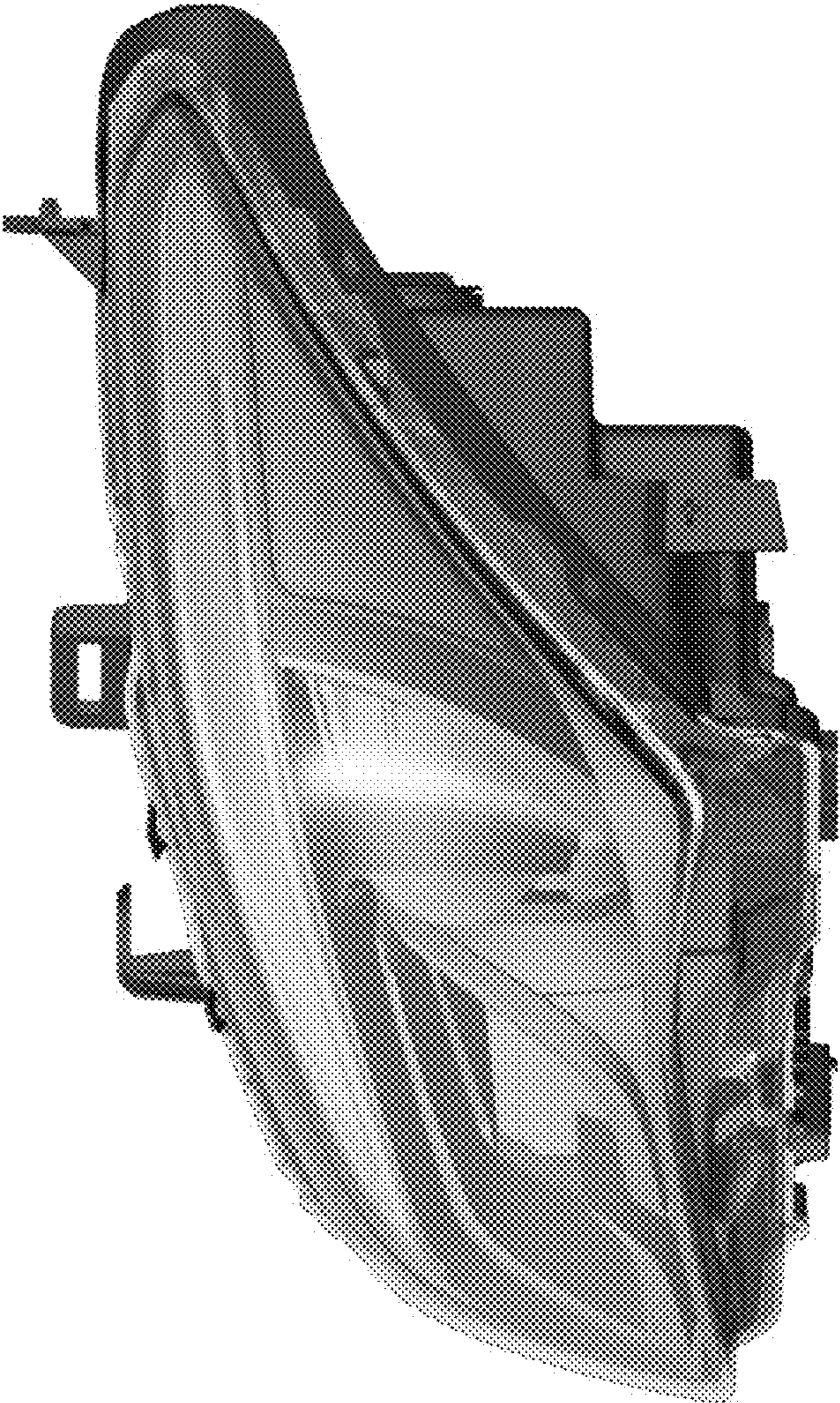


FIG. 1

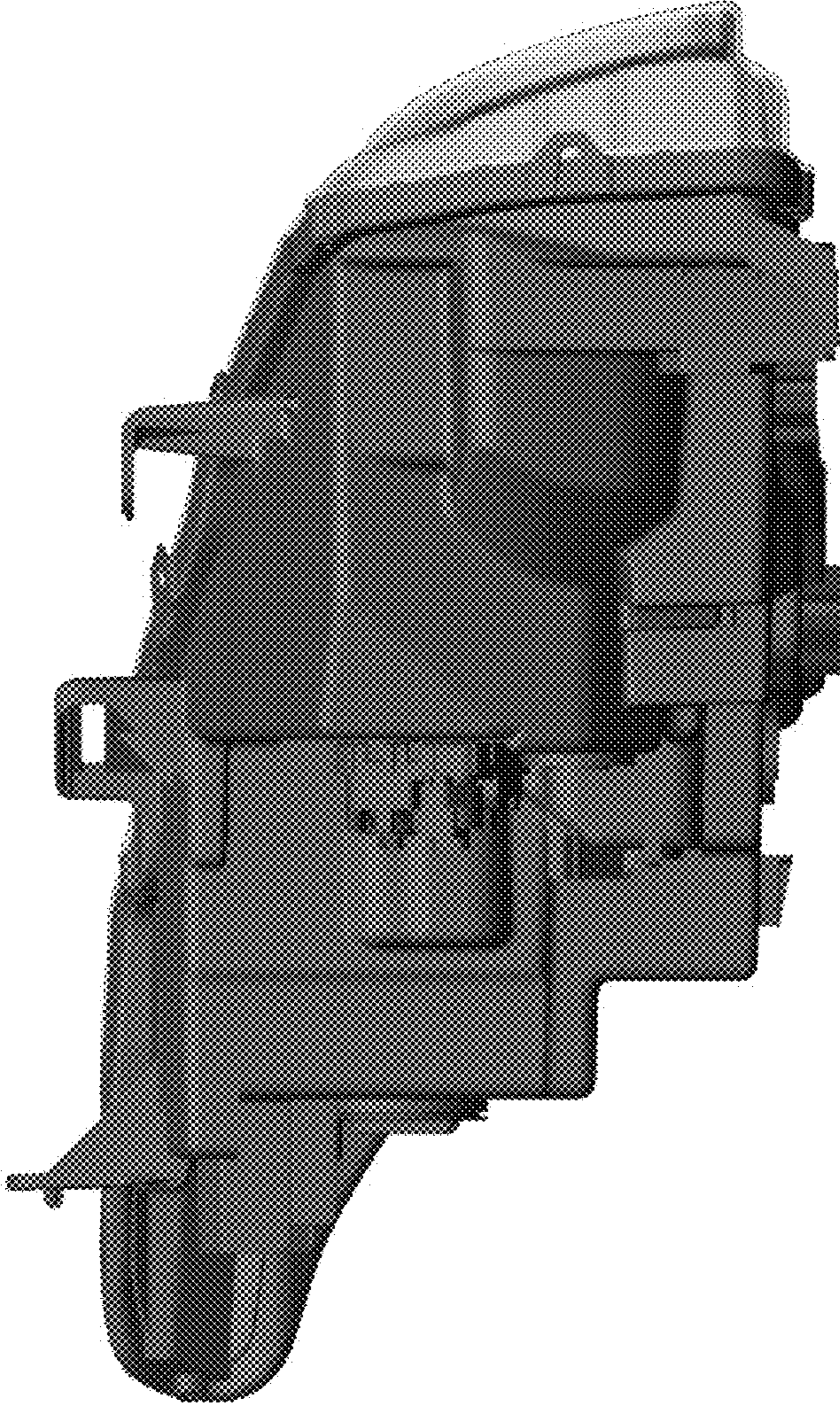


FIG. 2

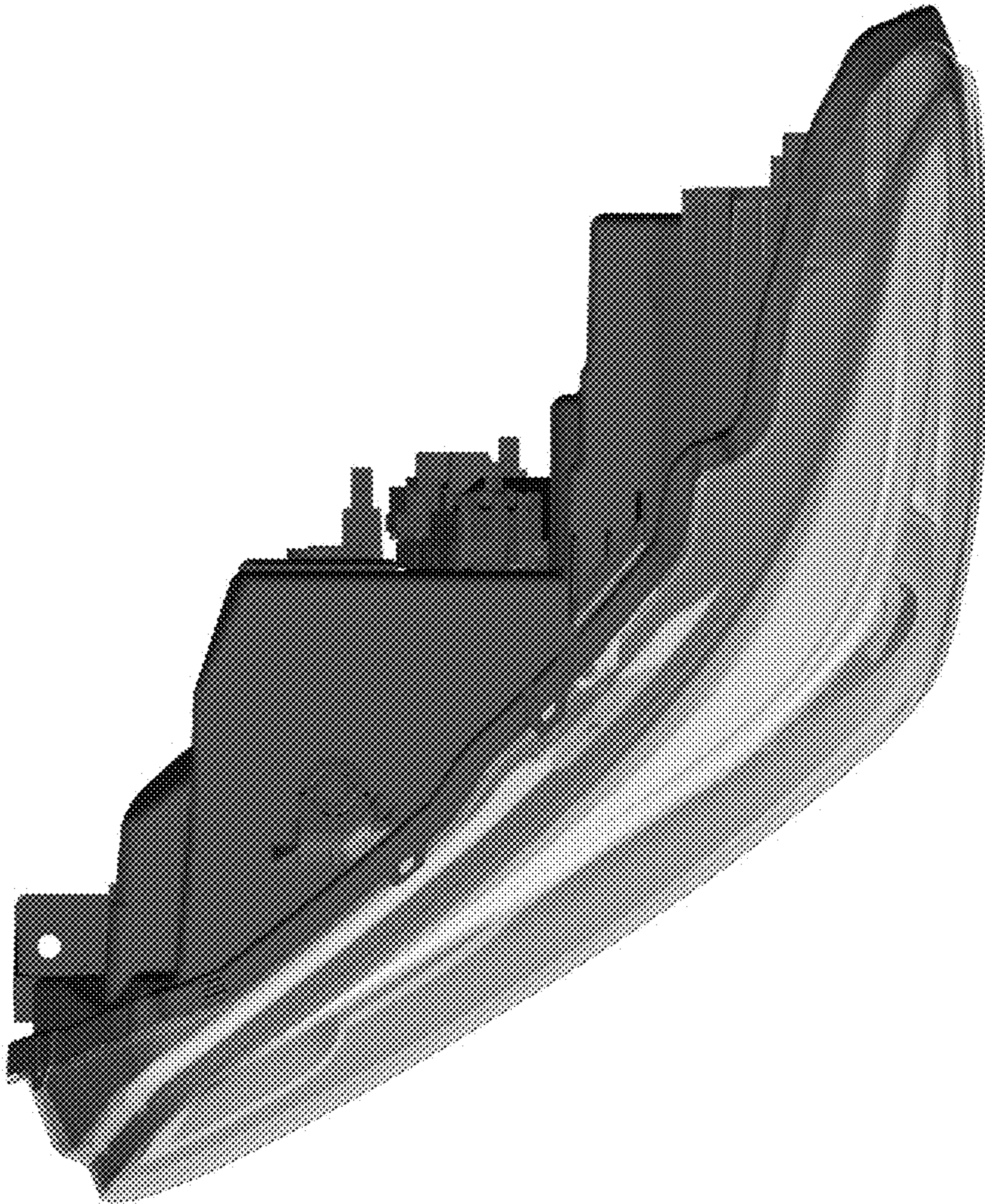


FIG. 3

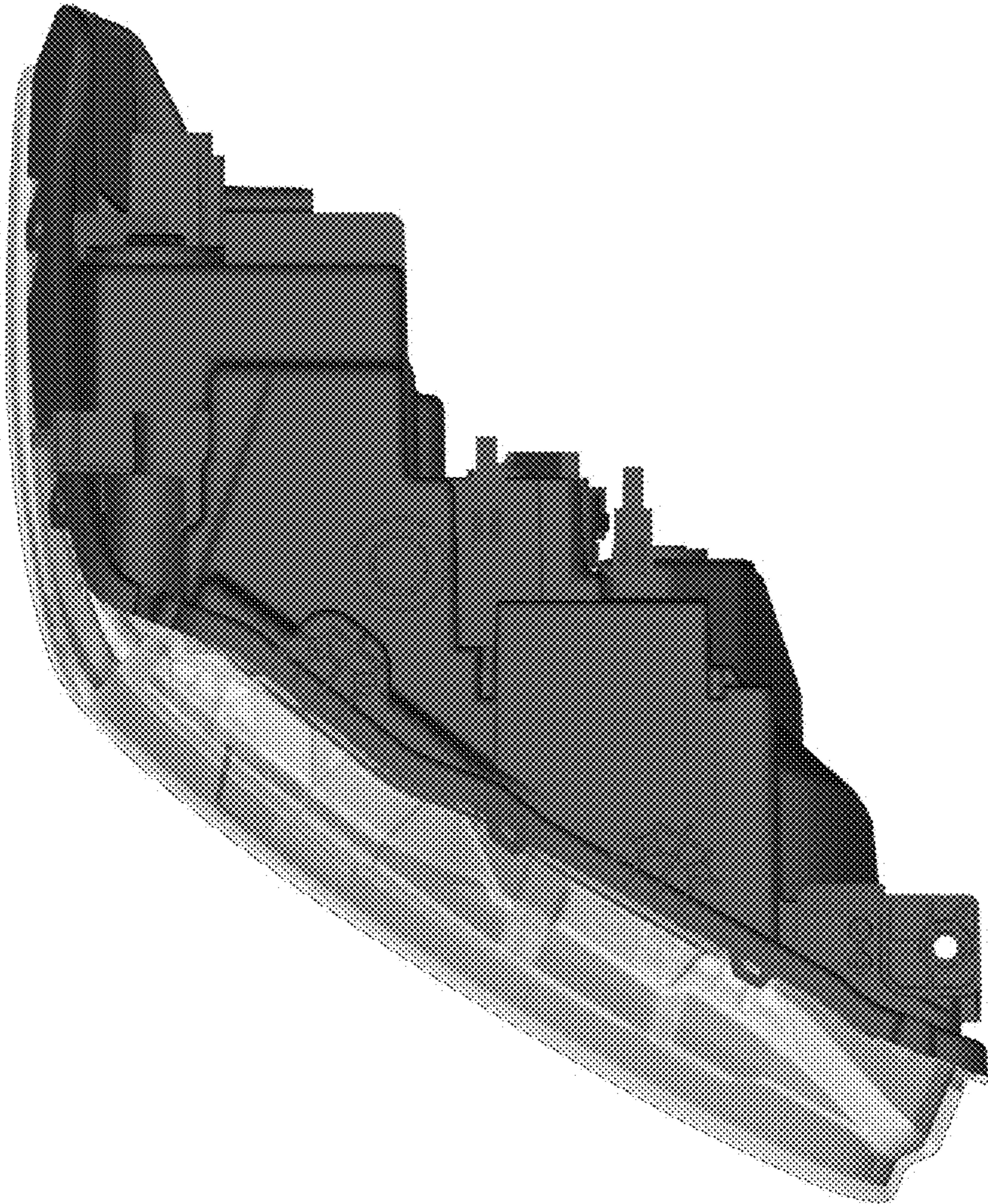


FIG. 4

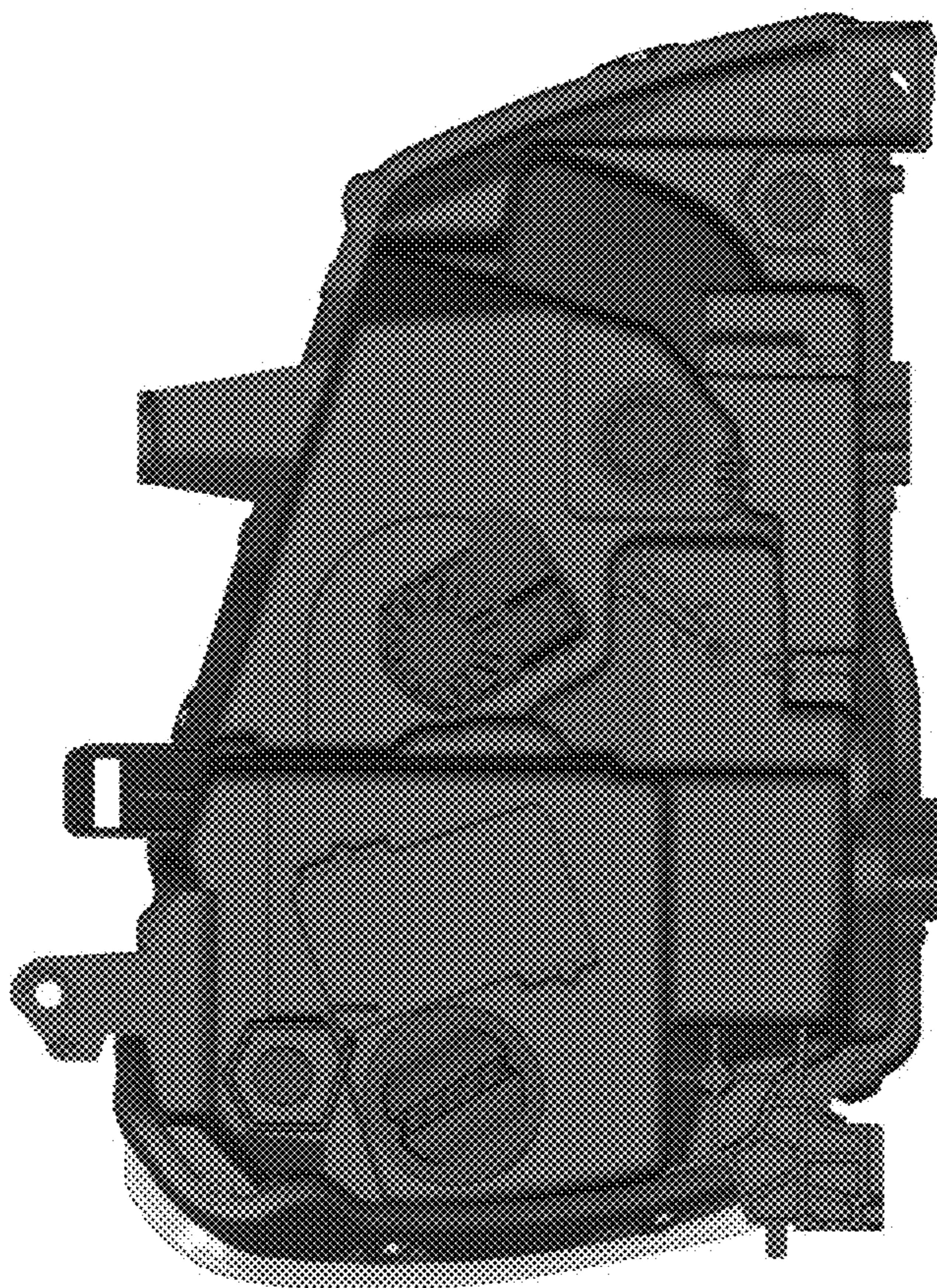


FIG. 5

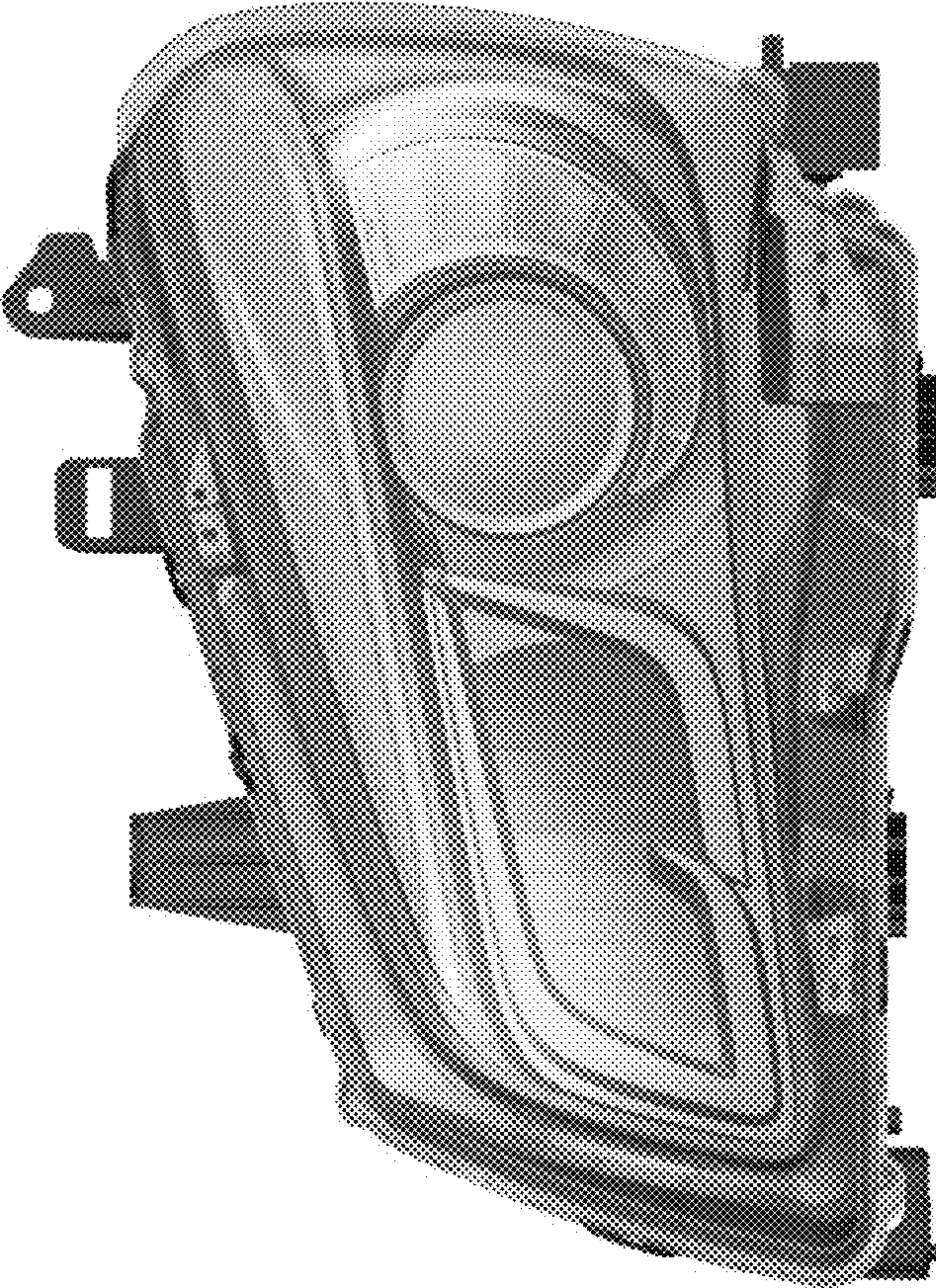


FIG. 6

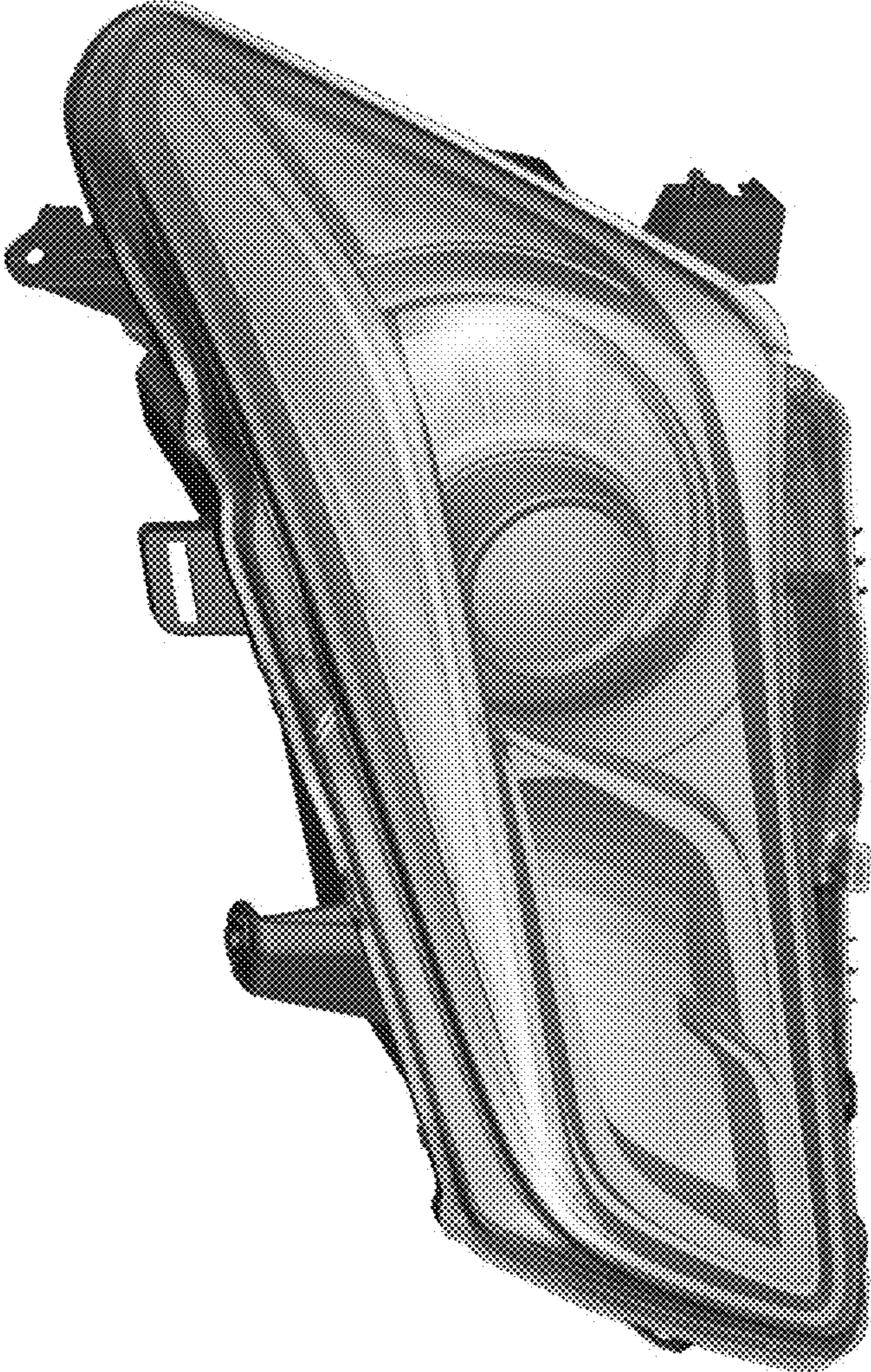


FIG. 7